



US00D680405S

(12) **United States Design Patent**
Ramsland et al.

(10) **Patent No.:** **US D680,405 S**

(45) **Date of Patent:** **** Apr. 23, 2013**

(54) **CABINET KNOB**

(75) Inventors: **Warren Ramsland**, Hillsborough, NJ
(US); **Christine Zimmer**, Hillsborough,
NJ (US)

(73) Assignee: **Top Knobs USA, Inc.**, Hillsborough, NJ
(US)

(**) Term: **14 Years**

(21) Appl. No.: **29/416,385**

(22) Filed: **Mar. 21, 2012**

(51) **LOC (9) Cl.** **08-06**

(52) **U.S. Cl.**
USPC **D8/307; D8/305**

(58) **Field of Classification Search** D8/300,
D8/305, 307, 310, DIG. 1; D23/242, 250,
D23/254; 16/110.1, 412, 414, 417, 422;
292/336.3

See application file for complete search history.

(56) **References Cited**

U.S. PATENT DOCUMENTS

D98,585 S *	2/1936	Fisher	D11/222
D196,294 S *	9/1963	Zola	D8/307
D224,225 S *	7/1972	Doman	D23/250
D227,737 S *	7/1973	Chasen	D8/307
D227,738 S *	7/1973	Chasen	D8/307
5,255,413 A *	10/1993	Sabo	16/417

D372,657 S *	8/1996	De'Armond	D8/307
D515,394 S *	2/2006	Citterio	D8/300
D540,142 S *	4/2007	Rexach	D8/307
D570,184 S *	6/2008	Ricereto	D8/307
D580,736 S *	11/2008	Matijevic	D8/310
D604,586 S *	11/2009	Rauk et al.	D8/312
D606,381 S *	12/2009	Menzies	D8/307
D643,276 S *	8/2011	Roe et al.	D8/307

* cited by examiner

Primary Examiner — Paula Greene

(74) *Attorney, Agent, or Firm* — Schultz & Associates, P.C.

(57) **CLAIM**

The ornamental design for a cabinet knob, as shown and described.

DESCRIPTION

FIG. 1 is a perspective view of a cabinet knob showing my new design;

FIG. 2 is a top plan view thereof;

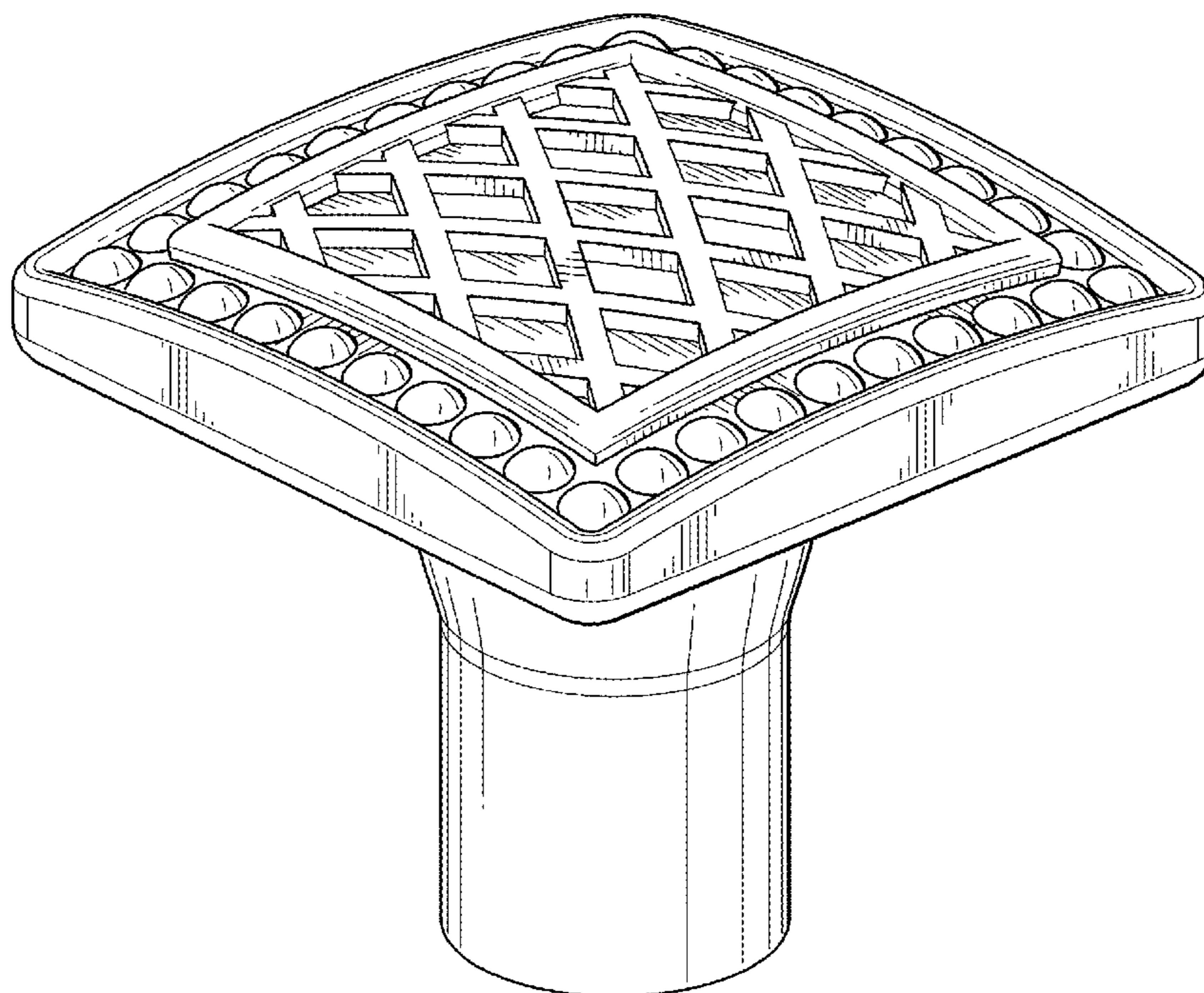
FIG. 3 is a side elevation view thereof;

FIG. 4 is a side elevation view thereof; and,

FIG. 5 is a bottom plan view thereof.

The broken lines shown represent unclaimed subject matter and form no part of the claimed design.

1 Claim, 3 Drawing Sheets



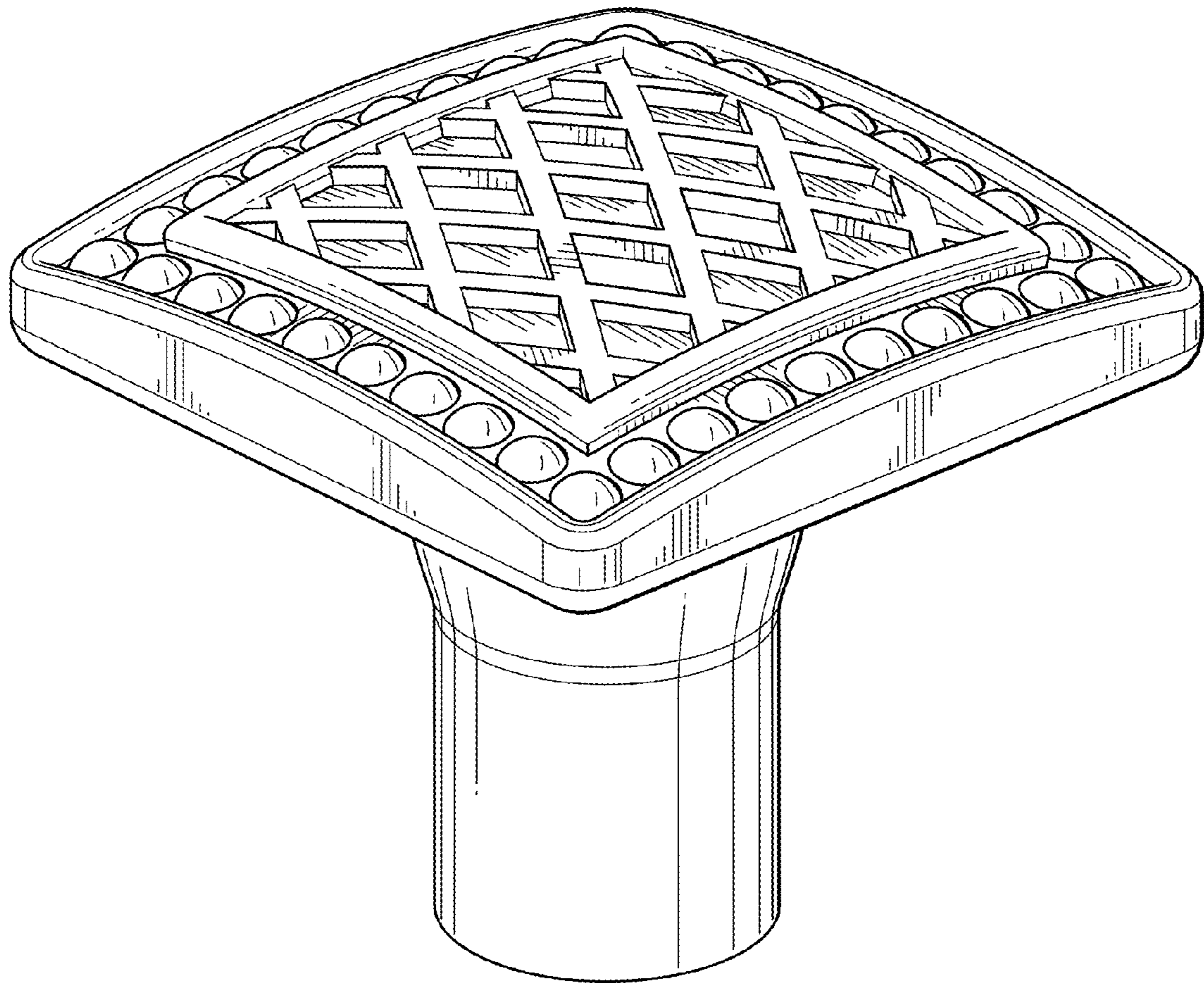


FIG. 1

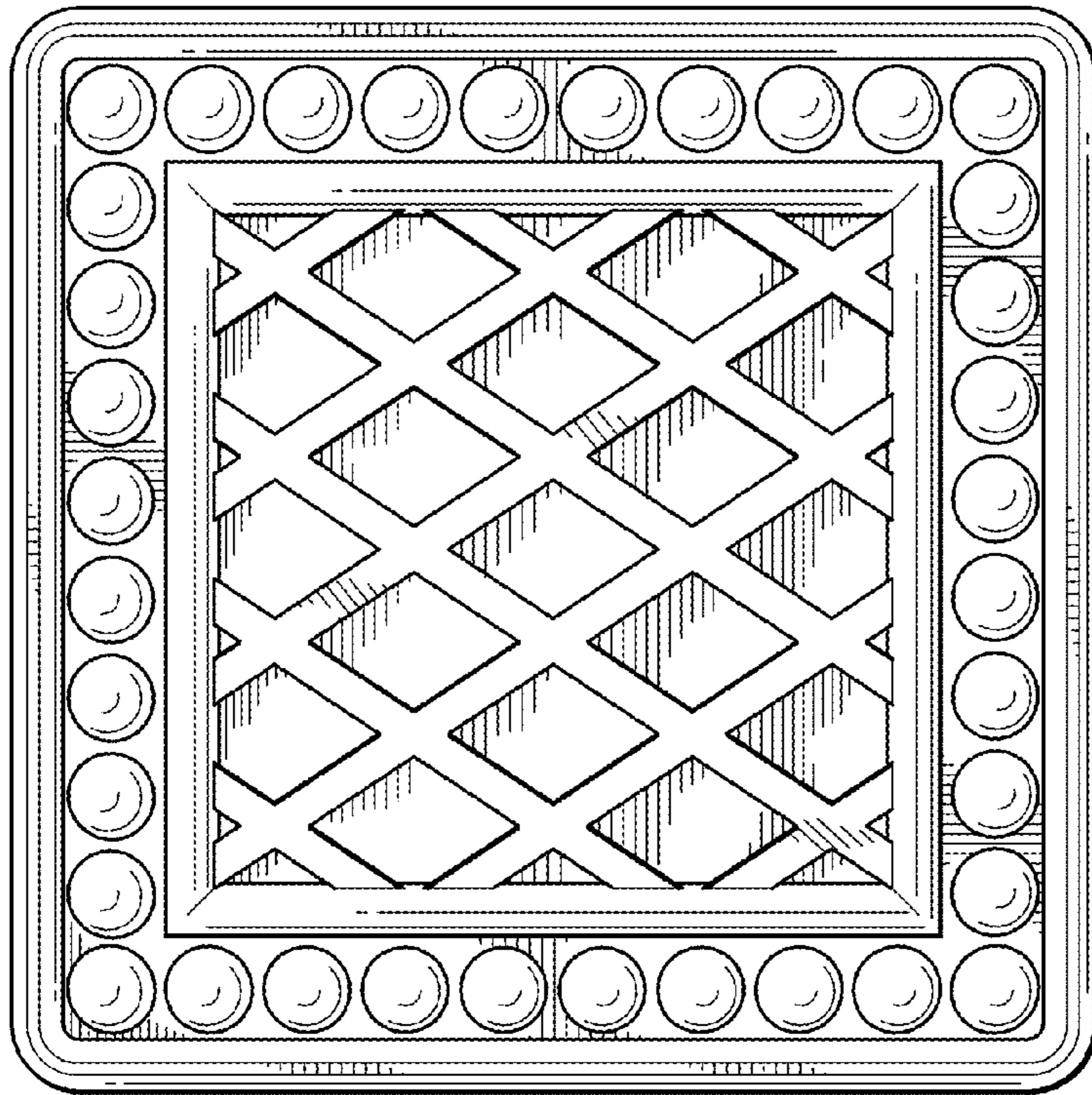


FIG. 2

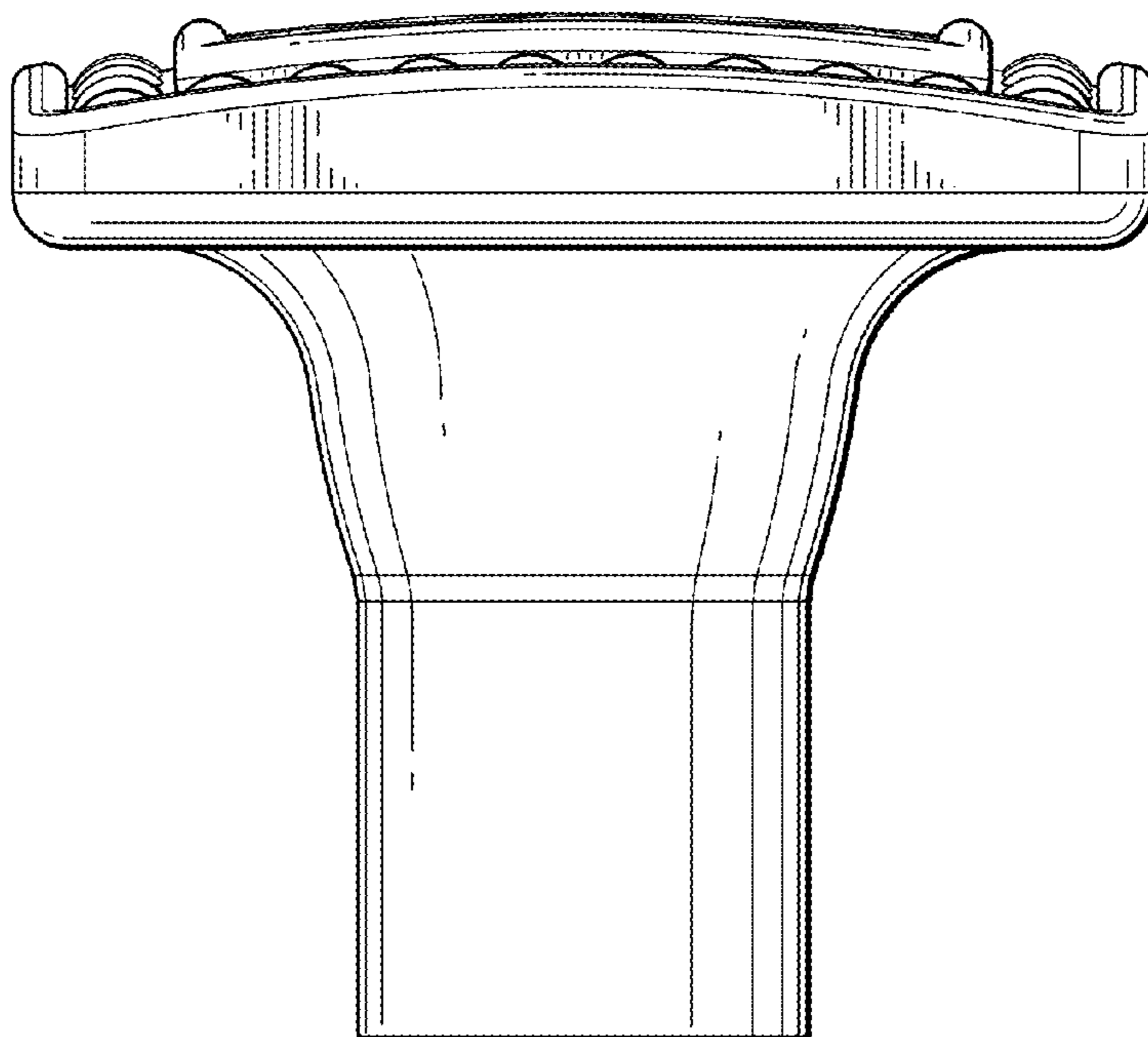


FIG. 3

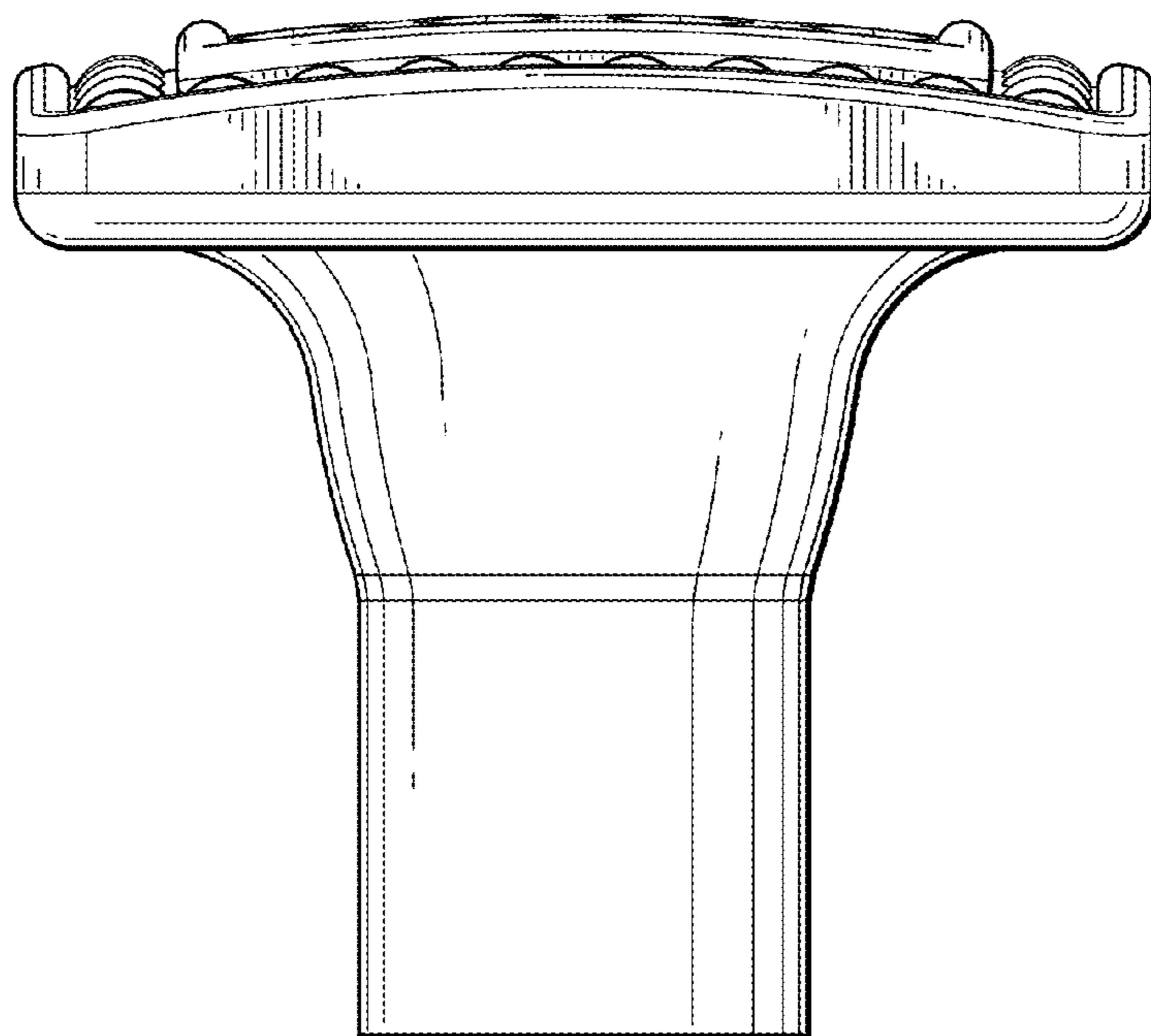


FIG. 4

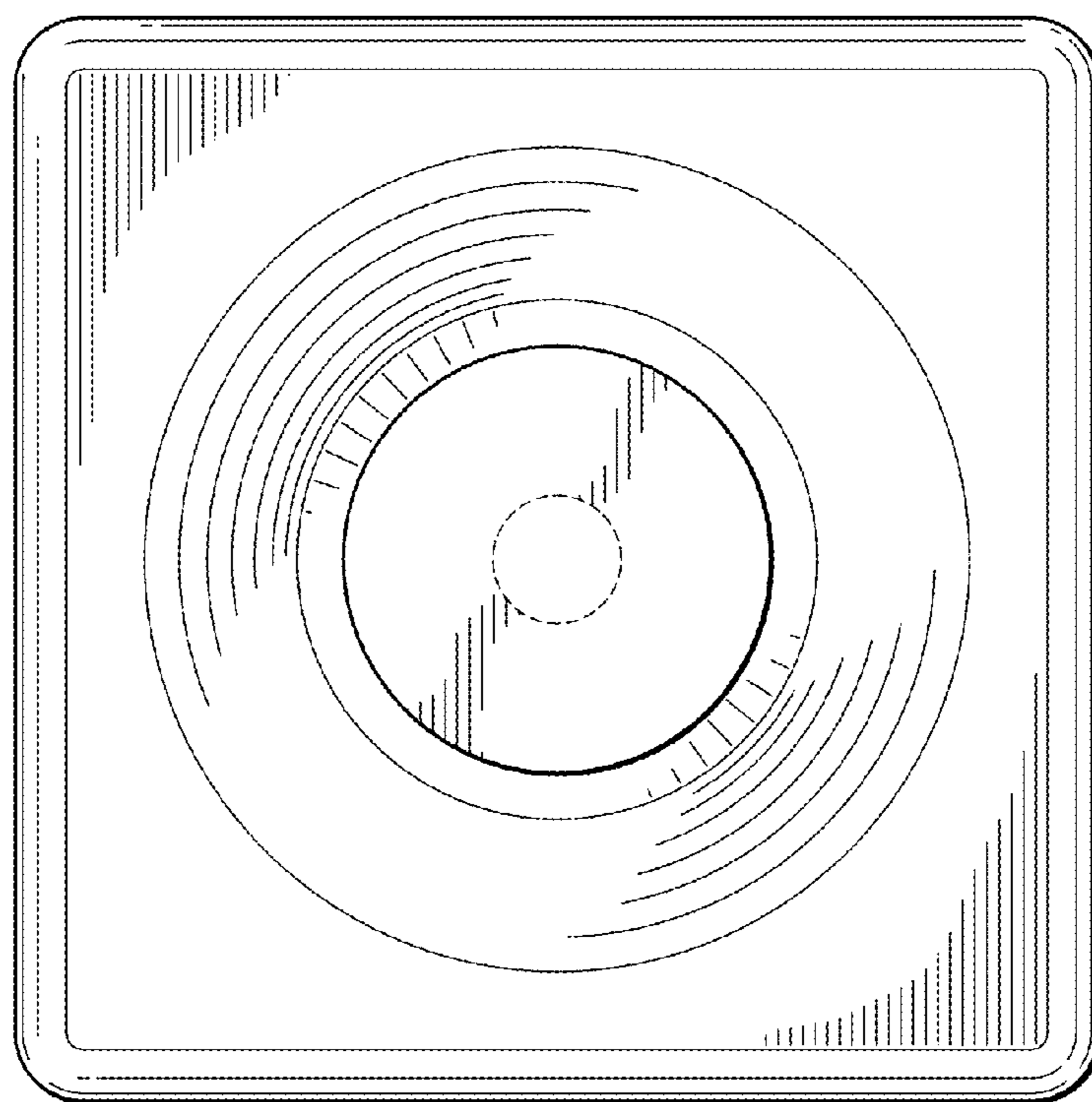


FIG. 5