



US00D680404S

(12) **United States Design Patent**
Ramsland et al.

(10) **Patent No.:** **US D680,404 S**
(45) **Date of Patent:** **** Apr. 23, 2013**

(54) **CABINET KNOB**

(75) Inventors: **Warren Ramsland**, Hillsborough, NJ
(US); **Christine Zimmer**, Hillsborough,
NJ (US)

(73) Assignee: **Top Knobs USA, Inc.**, Hillsborough, NJ
(US)

(**) **Term:** **14 Years**

(21) **Appl. No.:** **29/416,393**

(22) **Filed:** **Mar. 21, 2012**

(51) **LOC (9) Cl.** **08-06**

(52) **U.S. Cl.**
USPC **D8/300; D8/305**

(58) **Field of Classification Search** D8/300,
D8/305, 307, 310, DIG. 1, DIG. 2; D7/393;
D23/250, 254; 16/110.1; D11/222; 292/336.3
See application file for complete search history.

(56) **References Cited**

U.S. PATENT DOCUMENTS

D162,738 S *	4/1951	Hvale	D7/393
D187,224 S *	2/1960	Jakeway	D8/300
D187,532 S *	3/1960	Jakeway	D8/300
D193,385 S *	8/1962	Caminker et al.	D8/314

D194,782 S *	3/1963	Watt, Jr.	D8/314
D242,921 S *	1/1977	Bake et al.	D23/250
D355,838 S *	2/1995	Chieda	D8/312
D361,257 S *	8/1995	Chieda	D8/312
D377,747 S *	2/1997	De'Armond	D8/310
D396,180 S *	7/1998	Burns et al.	D8/310
D470,740 S *	2/2003	Fields	D8/310
D470,741 S *	2/2003	Fields	D8/310
D543,088 S *	5/2007	Ricereto	D8/310
D567,057 S *	4/2008	Tor Verges	D8/307
D568,713 S *	5/2008	Ricereto	D8/305
D583,647 S *	12/2008	Jou	D8/307

* cited by examiner

Primary Examiner — Paula Greene

(74) *Attorney, Agent, or Firm* — Schultz & Associates, P.C.

(57) **CLAIM**

The ornamental design for a cabinet knob, as shown and described.

DESCRIPTION

FIG. 1 is a perspective view of a cabinet knob showing my new design;

FIG. 2 is a side elevation view thereof;

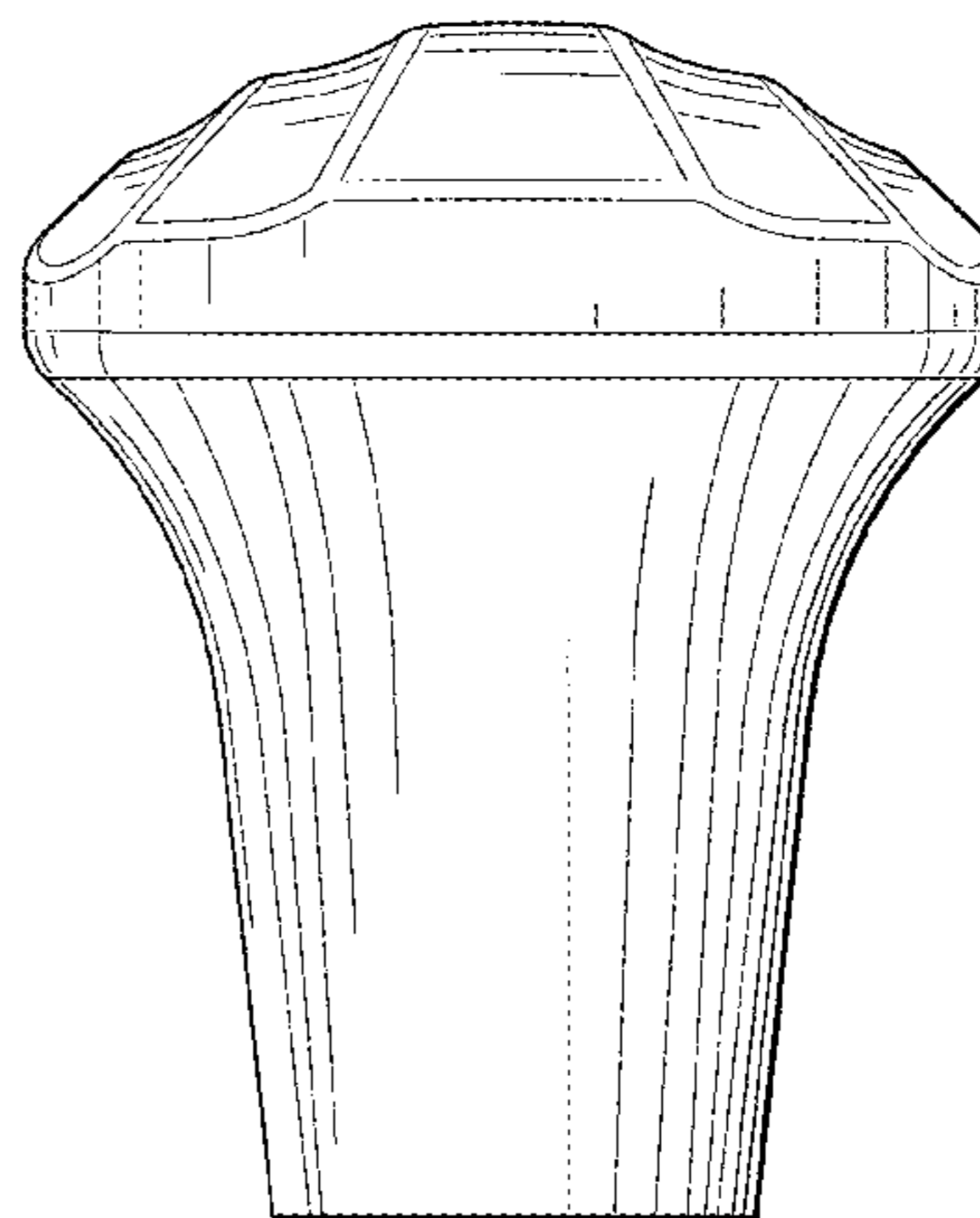
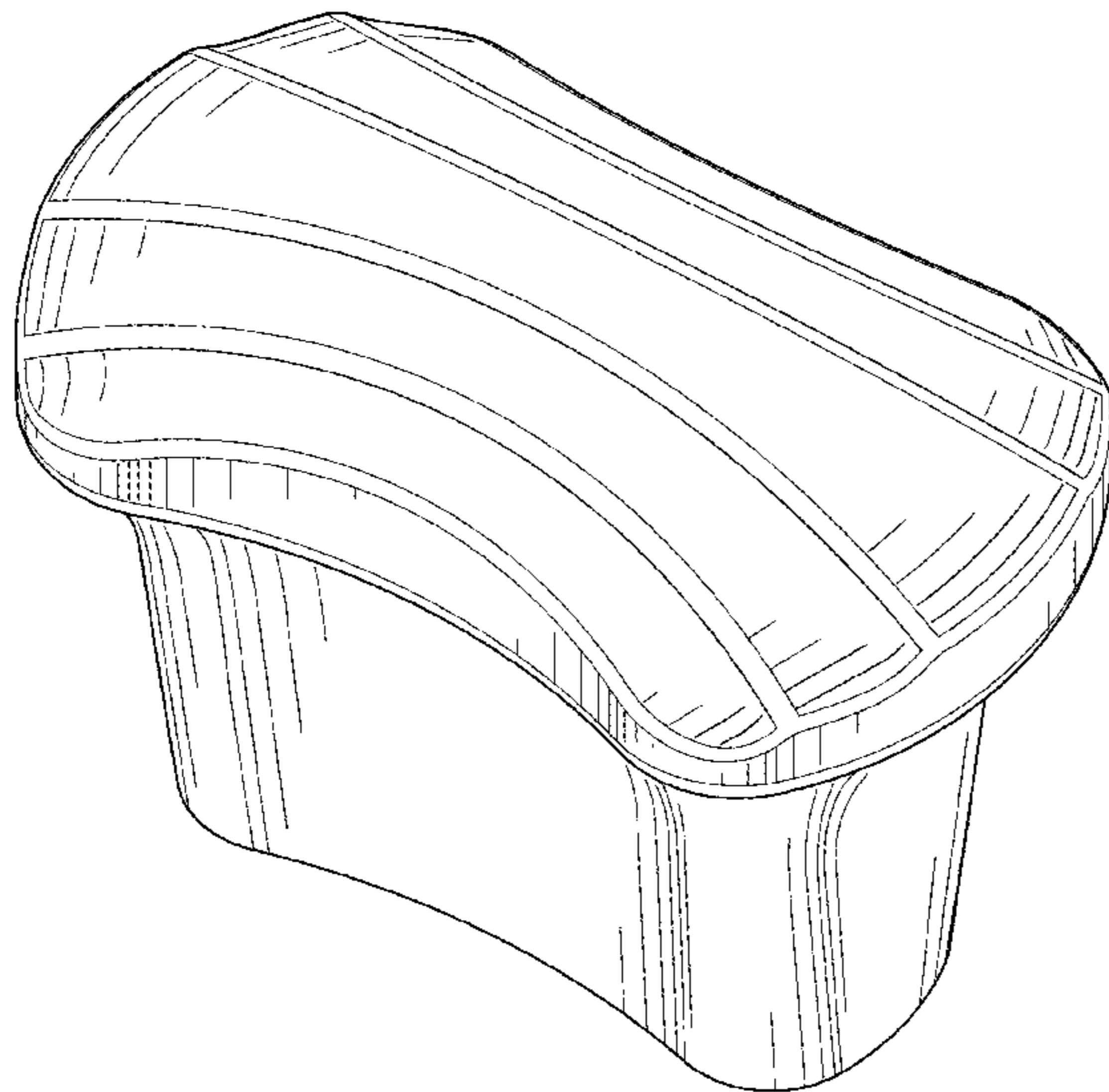
FIG. 3 is a side elevation view thereof;

FIG. 4 is a top plan view thereof; and,

FIG. 5 is a bottom plan view thereof.

The broken lines shown represent unclaimed subject matter and form no part of the claimed design.

1 Claim, 3 Drawing Sheets



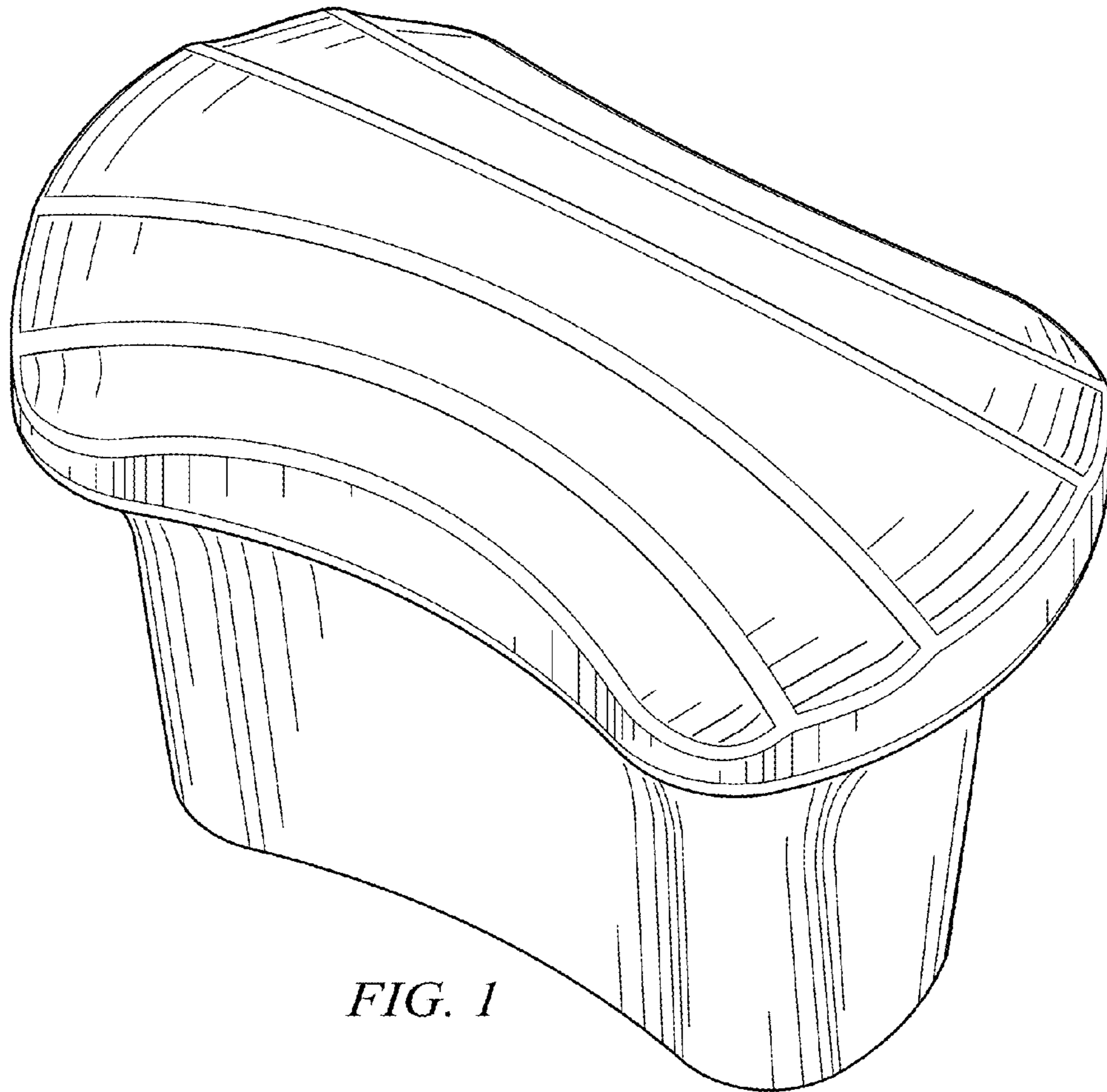


FIG. 1

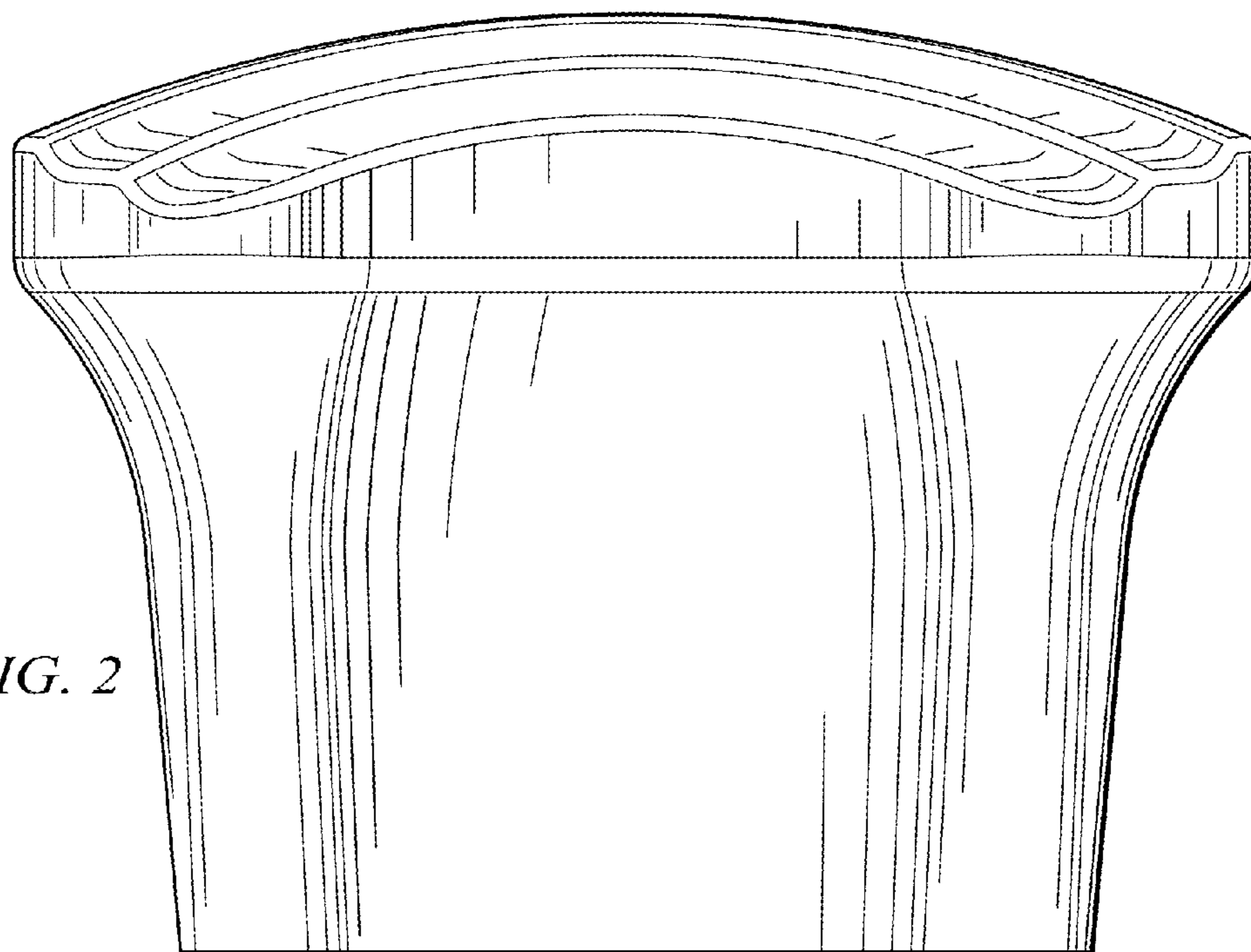


FIG. 2

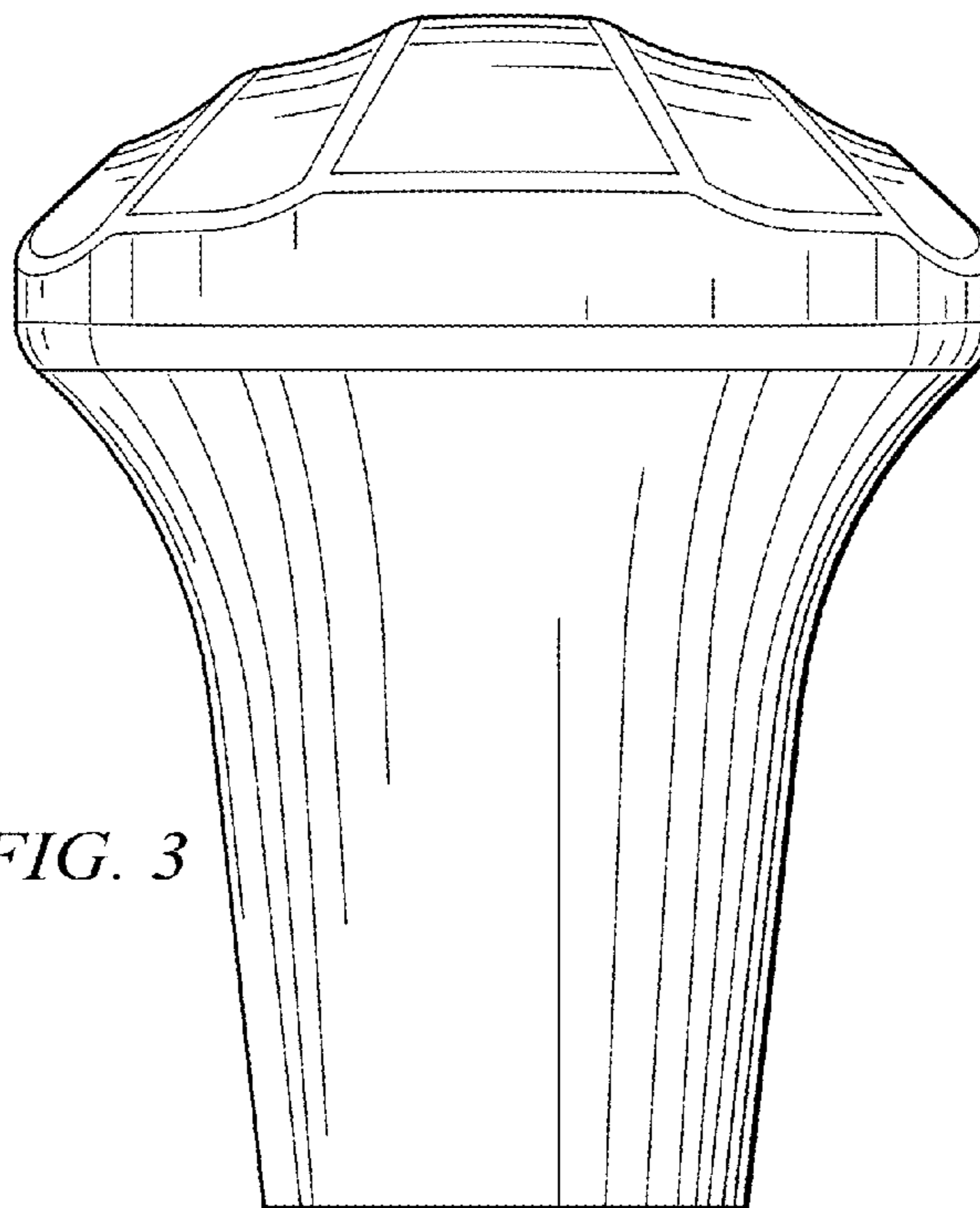


FIG. 3

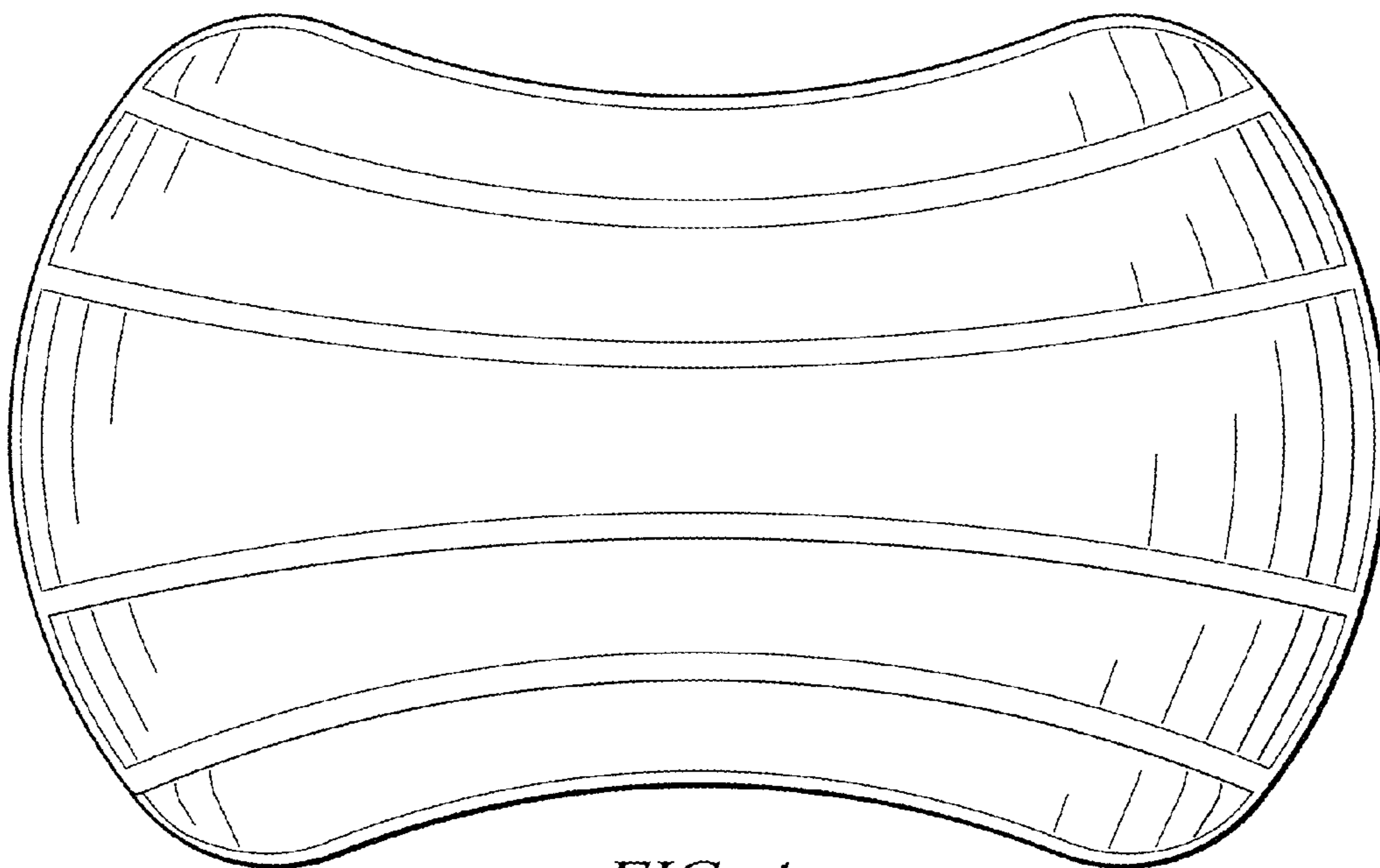


FIG. 4

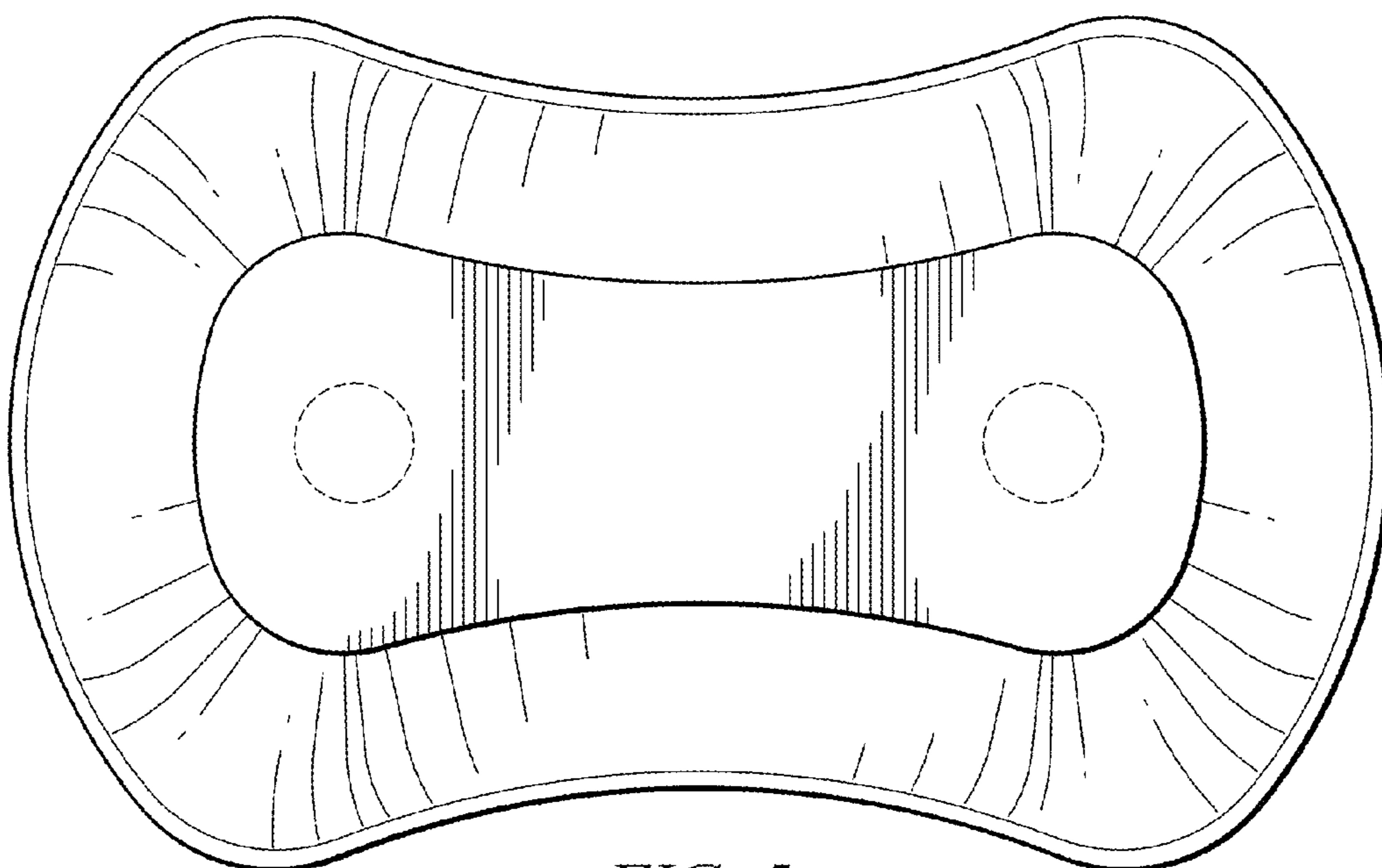


FIG. 5