



US00D680400S

(12) **United States Design Patent**
Jerabek et al.

(10) **Patent No.:** **US D680,400 S**

(45) **Date of Patent:** **** Apr. 23, 2013**

(54) **FINISH STAPLER NAILER**

(75) Inventors: **Jesse J. Jerabek**, Anderson, SC (US);
Hans E. Nutz, Easley, SC (US)

(73) Assignee: **Techtronic Power Tools Technology Limited**, Tortola (VG)

(**) Term: **14 Years**

(21) Appl. No.: **29/409,070**

(22) Filed: **Dec. 20, 2011**

(51) **LOC (9) Cl.** **08-05**

(52) **U.S. Cl.**
USPC **D8/68**

(58) **Field of Classification Search** D8/61,
D8/68, 69; 227/8, 10, 19, 107, 109, 110,
227/111, 120, 130, 134, 135, 141, 142; 60/632
See application file for complete search history.

(56) **References Cited**

U.S. PATENT DOCUMENTS

D432,882 S *	10/2000	Matsuoka et al.	D8/68
D435,769 S *	1/2001	Etter et al.	D8/68
D462,884 S *	9/2002	Oh	D8/69
D475,597 S *	6/2003	Arai	D8/68
D477,513 S *	7/2003	Bor	D8/68
D477,760 S *	7/2003	Chang	D8/68
D477,762 S *	7/2003	Bor	D8/68
D478,490 S *	8/2003	Wu	D8/68
D479,110 S *	9/2003	Nolan et al.	D8/68
D497,091 S *	10/2004	Leasure	D8/68
D498,127 S *	11/2004	Leasure	D8/68
D500,654 S *	1/2005	Leasure et al.	D8/69
6,929,165 B1 *	8/2005	Chen et al.	227/8
D514,412 S *	2/2006	Lawrence et al.	D8/68
D517,886 S *	3/2006	Thomas et al.	D8/69

D549,062 S *	8/2007	Buck	D8/69
D553,931 S *	10/2007	Buck	D8/68
D572,556 S *	7/2008	Leasure	D8/69
D575,608 S *	8/2008	Buck	D8/69
D591,131 S *	4/2009	Buck	D8/69
D633,354 S *	3/2011	Buck	D8/69

(Continued)

OTHER PUBLICATIONS

Ridgid 1½ in. 18-Gauge Narrow Crown Finish Stapler R150FSA, Home Depot, Retrieved from Internet on Mar. 20, 2012 <URL: http://www.homedepot.com/Tools-Hardware-Air-Nailers-Nails/RIDGID/h_d1/N-5yc1vZb193Z18g/R-100348529/h_d2/ProductDisplay?catalogId=10053&langId=-1&storeId=10051>.

Primary Examiner — Philip S Hyder

Assistant Examiner — John T Applewhite

(74) *Attorney, Agent, or Firm* — Michael Best & Friedrich LLP

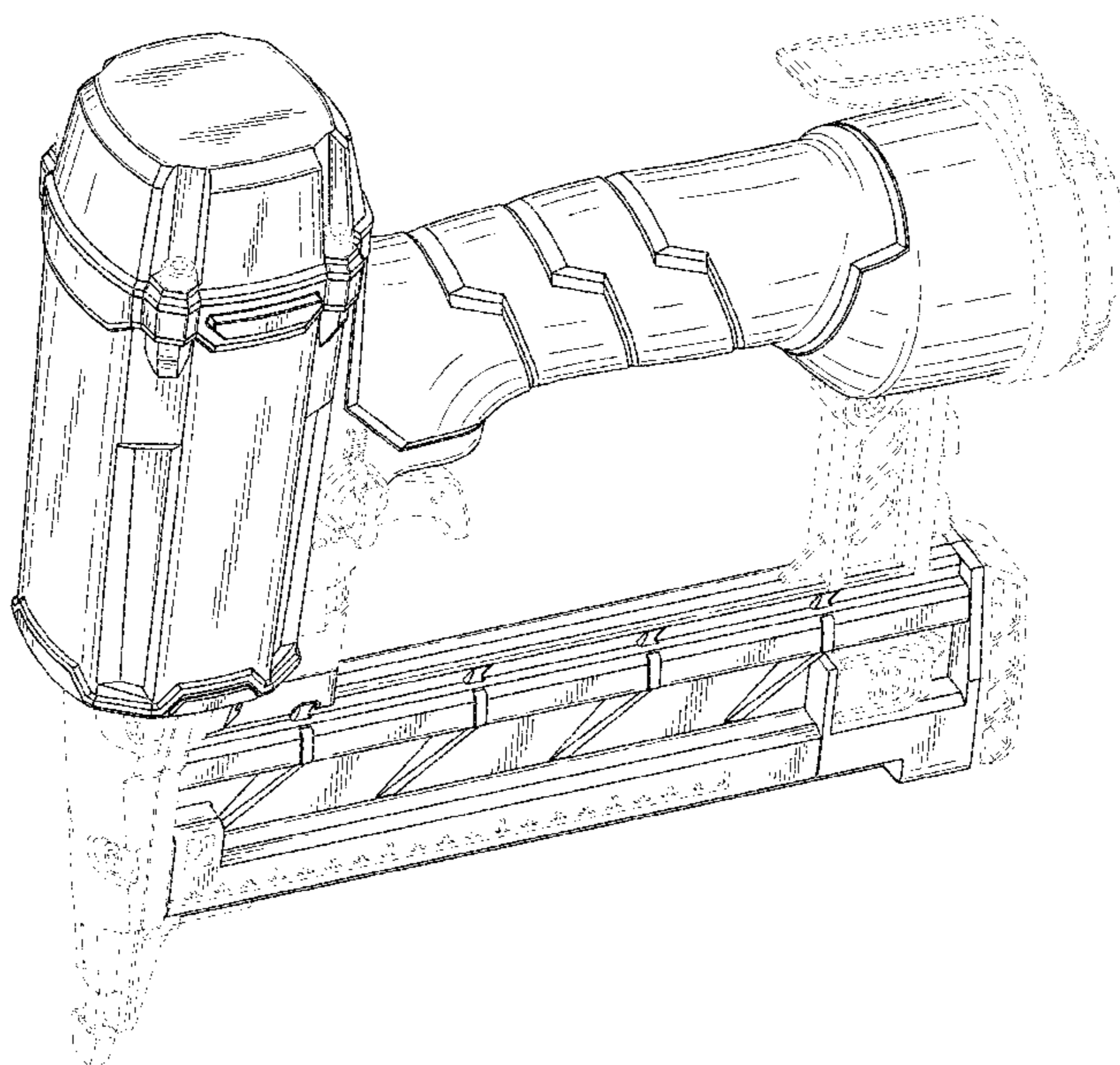
(57) **CLAIM**

I claim the ornamental design for a finish stapler nailer, as shown and described.

DESCRIPTION

FIG. 1 is a front perspective view of a finish stapler nailer. FIG. 2 is a left-side view of the finish stapler nailer of FIG. 1. FIG. 3 is a right-side view of the finish stapler nailer of FIG. 1. FIG. 4 is a front view of the finish stapler nailer of FIG. 1. FIG. 5 is a rear view of the finish stapler nailer of FIG. 1. FIG. 6 is a top view of the finish stapler nailer of FIG. 1; and, FIG. 7 is a bottom view of the finish stapler nailer of FIG. 1. The portions of the finish stapler nailer shown in broken lines are included for the purpose of illustrating environment and form no part of the claimed design.

1 Claim, 5 Drawing Sheets



US D680,400 S

Page 2

U.S. PATENT DOCUMENTS

8,235,270	B2 *	8/2012	Gosis et al.	227/19	2011/0315736	A1 *	12/2011	Leimbach et al.	227/8
2006/0273132	A1 *	12/2006	Leasure et al.	227/120	2012/0192440	A1 *	8/2012	Jerabek et al.	30/393
2009/0178819	A1 *	7/2009	Schnell et al.	173/169					

* cited by examiner

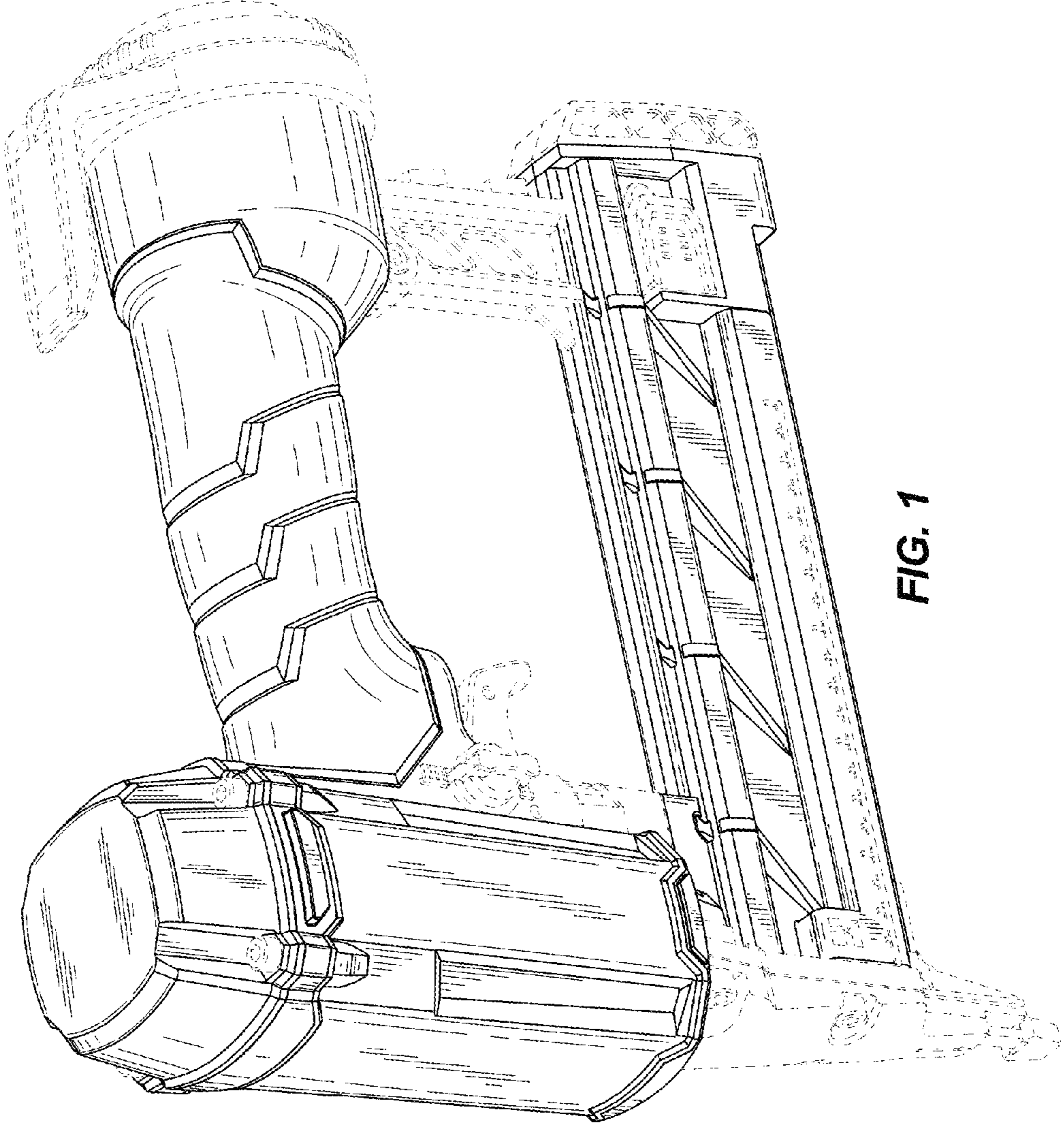


FIG. 1

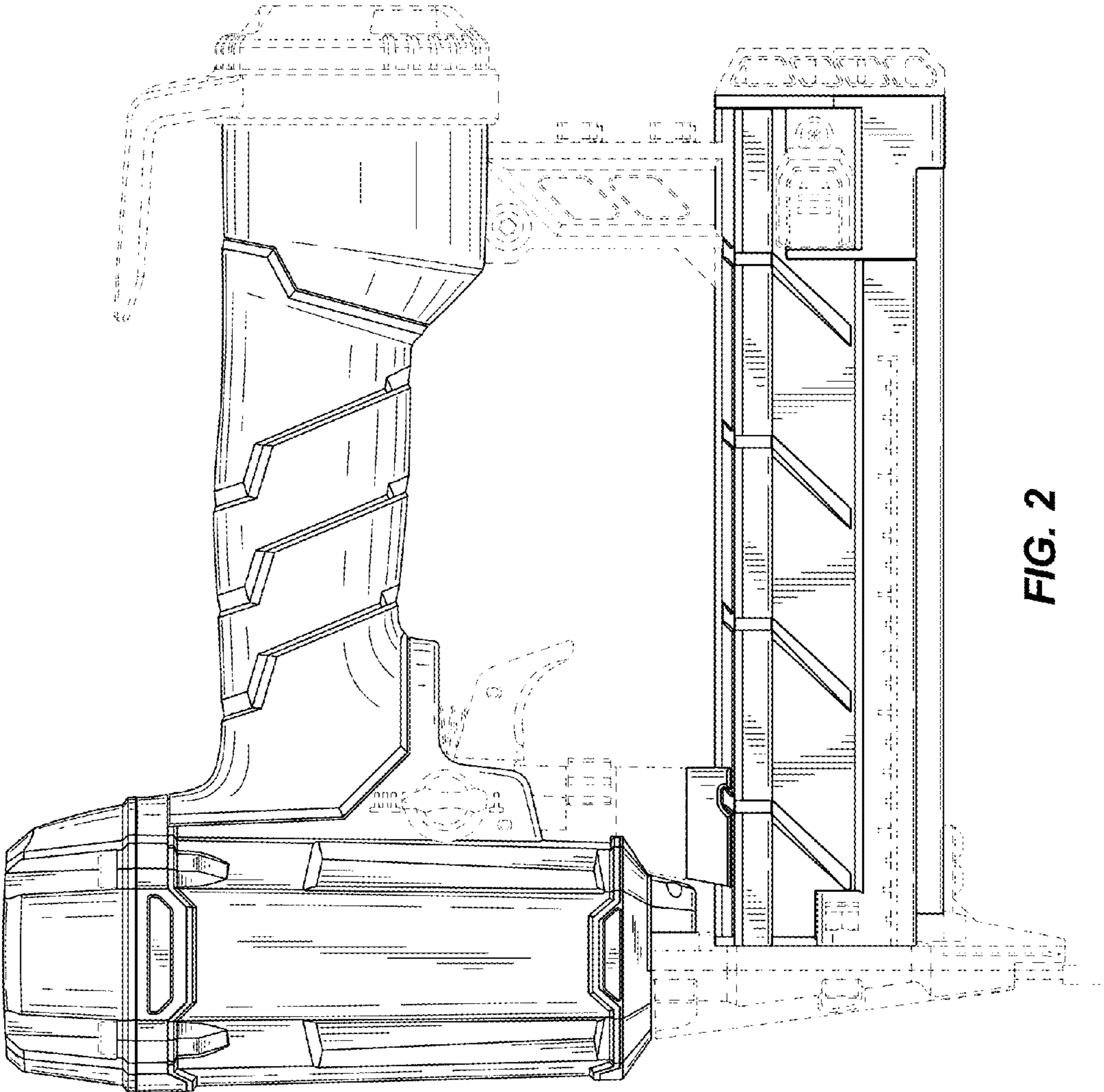


FIG. 2

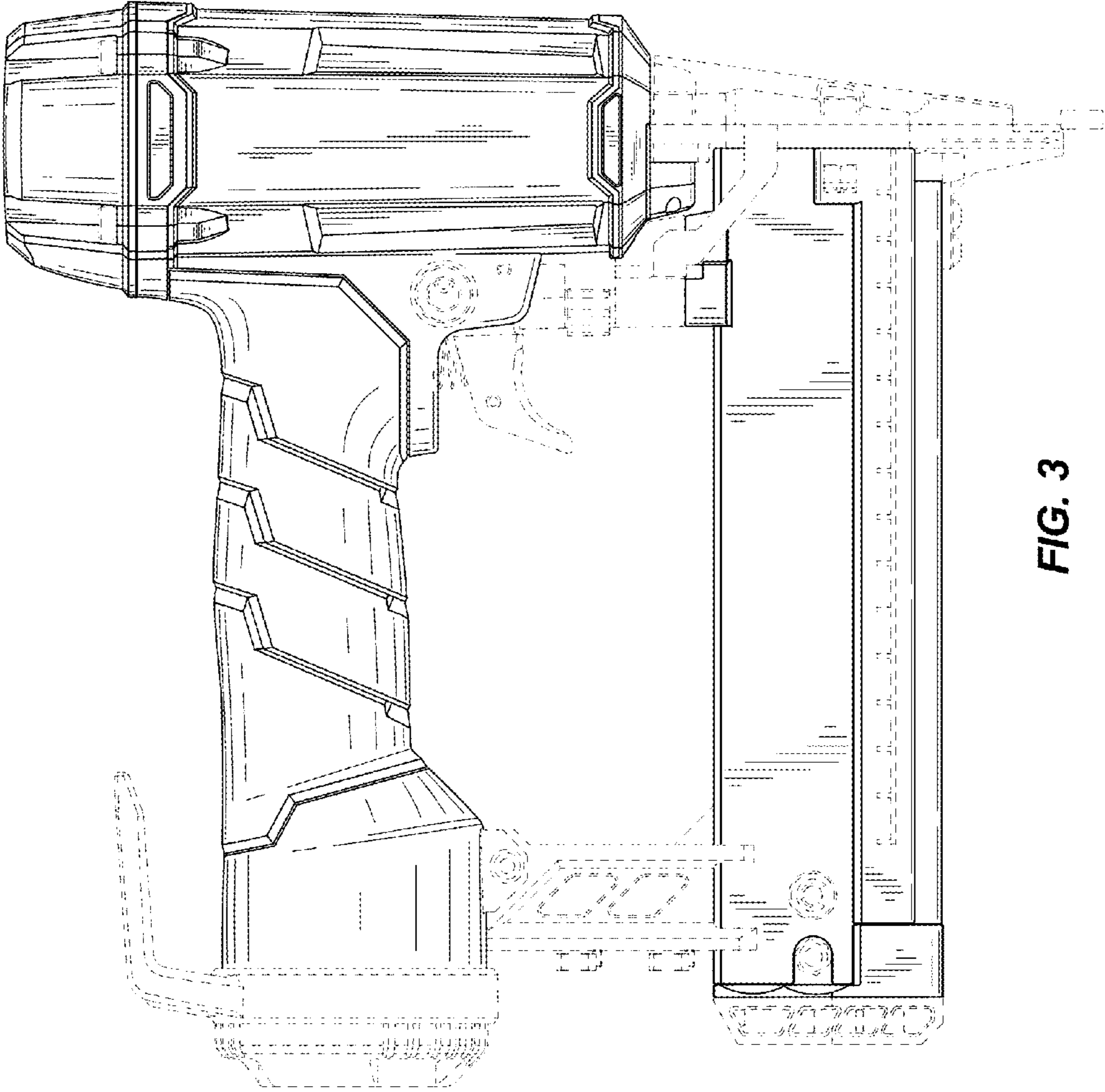


FIG. 3

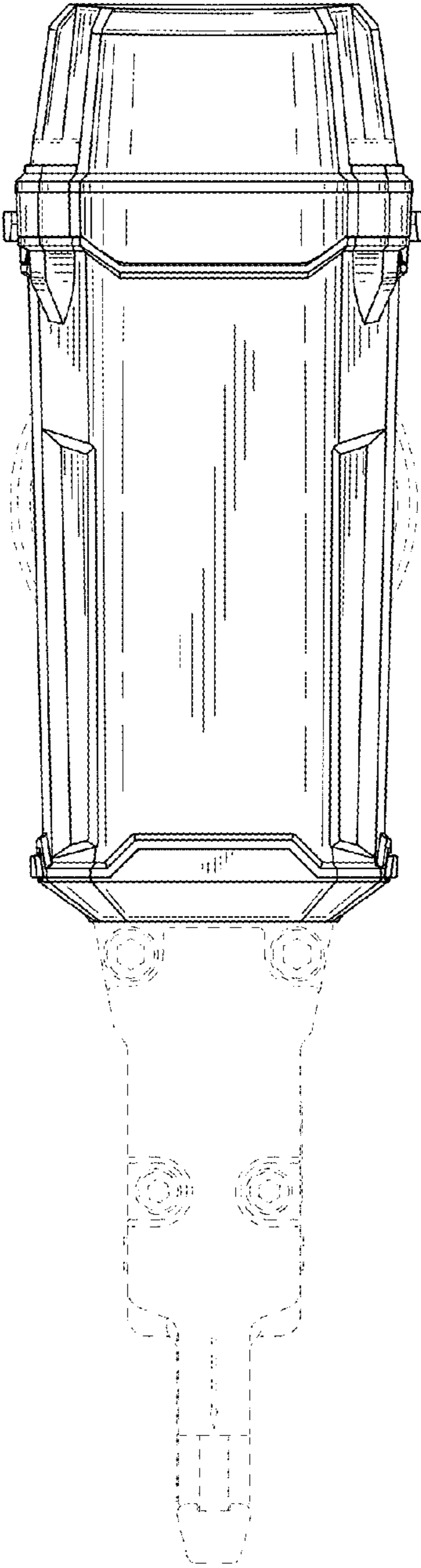


FIG. 4

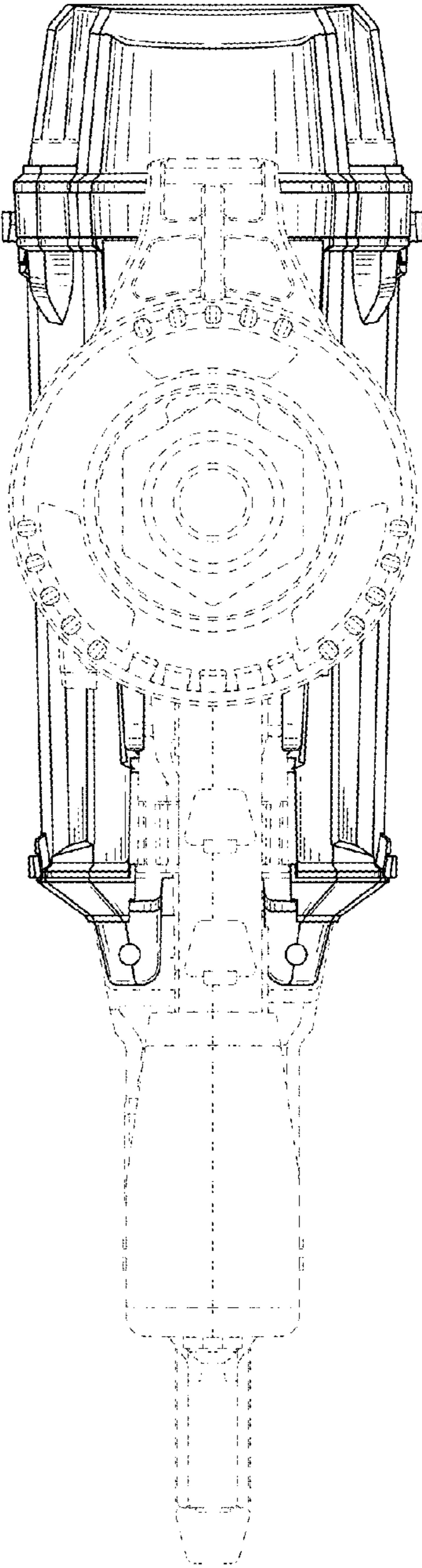


FIG. 5

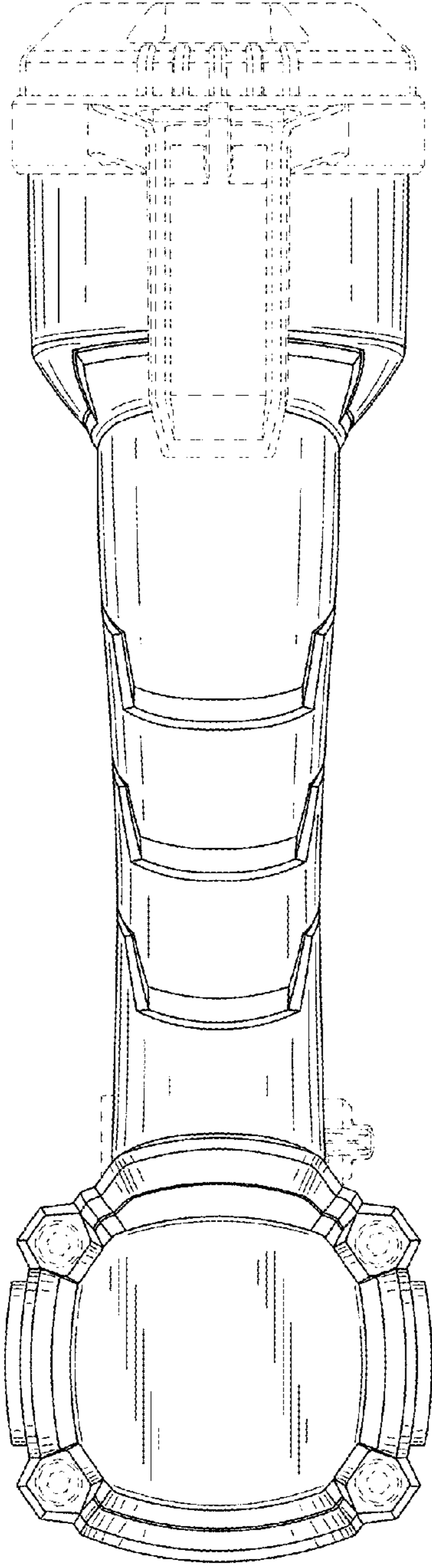


FIG. 6

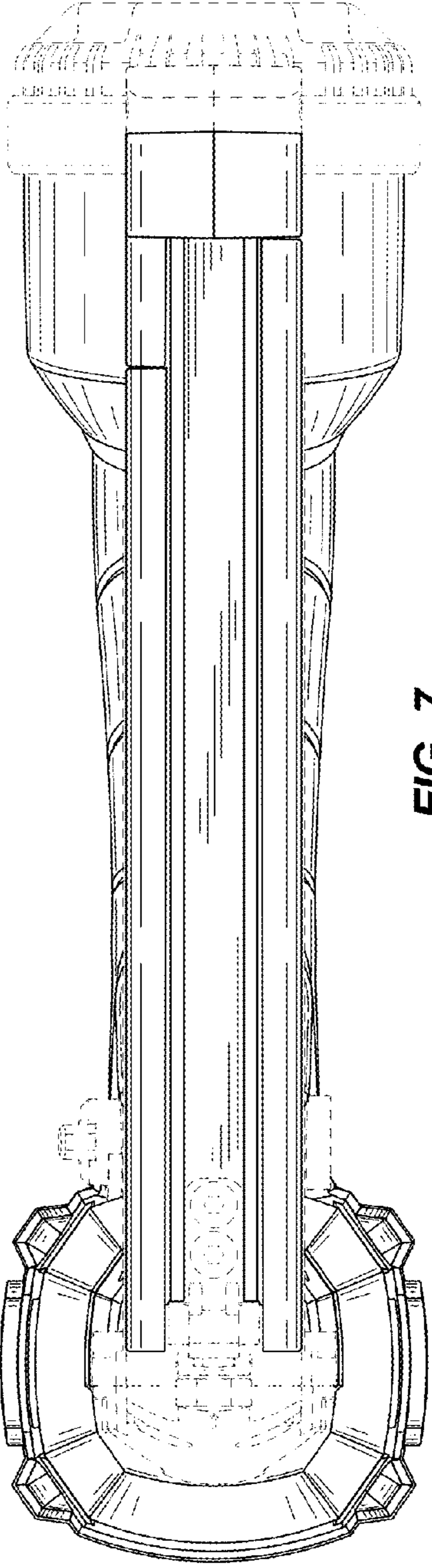


FIG. 7