



US00D680399S

(12) **United States Design Patent**
Elek et al.

(10) **Patent No.:** **US D680,399 S**

(45) **Date of Patent:** **** Apr. 23, 2013**

(54) **THREE STAGE KNIFE SHARPENER**

(75) Inventors: **Bela Elek**, Wilmington, DE (US);
Bjoern Berger, Dusseldorf (DE); **Daniel D. Friel, Sr.**, Greenville, DE (US)

(73) Assignees: **Ed. Wuesthof Dreizackwerk KG**, Solingen (DE); **Edgecraft Corporation**, Avondale, PA (US)

(**) Term: **14 Years**

(21) Appl. No.: **29/427,444**

(22) Filed: **Jul. 18, 2012**

Related U.S. Application Data

(63) Continuation-in-part of application No. 29/415,056, filed on Mar. 7, 2012, now abandoned.

(51) **LOC (9) Cl.** **08-05**

(52) **U.S. Cl.**
USPC **D8/63**

(58) **Field of Classification Search** D8/34,
D8/35, 63, 91, 93; 451/45, 267, 552, 555-558;
76/82, 84, 86-89.2; 30/138

See application file for complete search history.

(56) **References Cited**

U.S. PATENT DOCUMENTS

D111,174 S	9/1938	Carpentar	
D116,704 S	9/1939	Conway	
D151,324 S	10/1948	Chapin	
D177,943 S	6/1956	Rutter	
D202,799 S	11/1965	Fano	
D269,940 S *	8/1983	Hirosawa D8/93
4,627,194 A	12/1986	Friel	
4,716,689 A	1/1988	Friel	
4,807,399 A	2/1989	Friel	
D303,209 S	9/1989	Friel	
D309,414 S	7/1990	Shimizu	

D309,415 S	7/1990	Shimizu
D310,620 S	9/1990	Friel
5,005,319 A	4/1991	Friel
D328,410 S	8/1992	Friel
5,148,634 A	9/1992	Bigliano
5,245,791 A	9/1993	Bigliano
5,611,726 A	3/1997	Friel
D409,891 S	5/1999	Friel
6,012,971 A	1/2000	Friel
D427,500 S	7/2000	Glessner
6,113,476 A	9/2000	Friel

(Continued)

OTHER PUBLICATIONS

PEtec 3-Stage Electric Knife Sharpener by Wusthof at Swiss Knife Shop. Downloaded from <http://www.swissknifeshop.com/precision-edge-technology-3-stage-knife-sharpener-by-w...> Dec. 11, 2012.*

Primary Examiner — Philip S Hyder

Assistant Examiner — Roselynn Cody

(74) *Attorney, Agent, or Firm* — Novak Druce Connolly Bove + Quigg LLP

(57) **CLAIM**

The ornamental design for a three stage knife sharpener, as shown and described.

DESCRIPTION

FIG. 1 is a perspective view of a three stage knife sharpener showing our new design;

FIG. 2 is a front elevational view thereof;

FIG. 3 is a rear elevational view thereof;

FIG. 4 is a left side elevational view thereof;

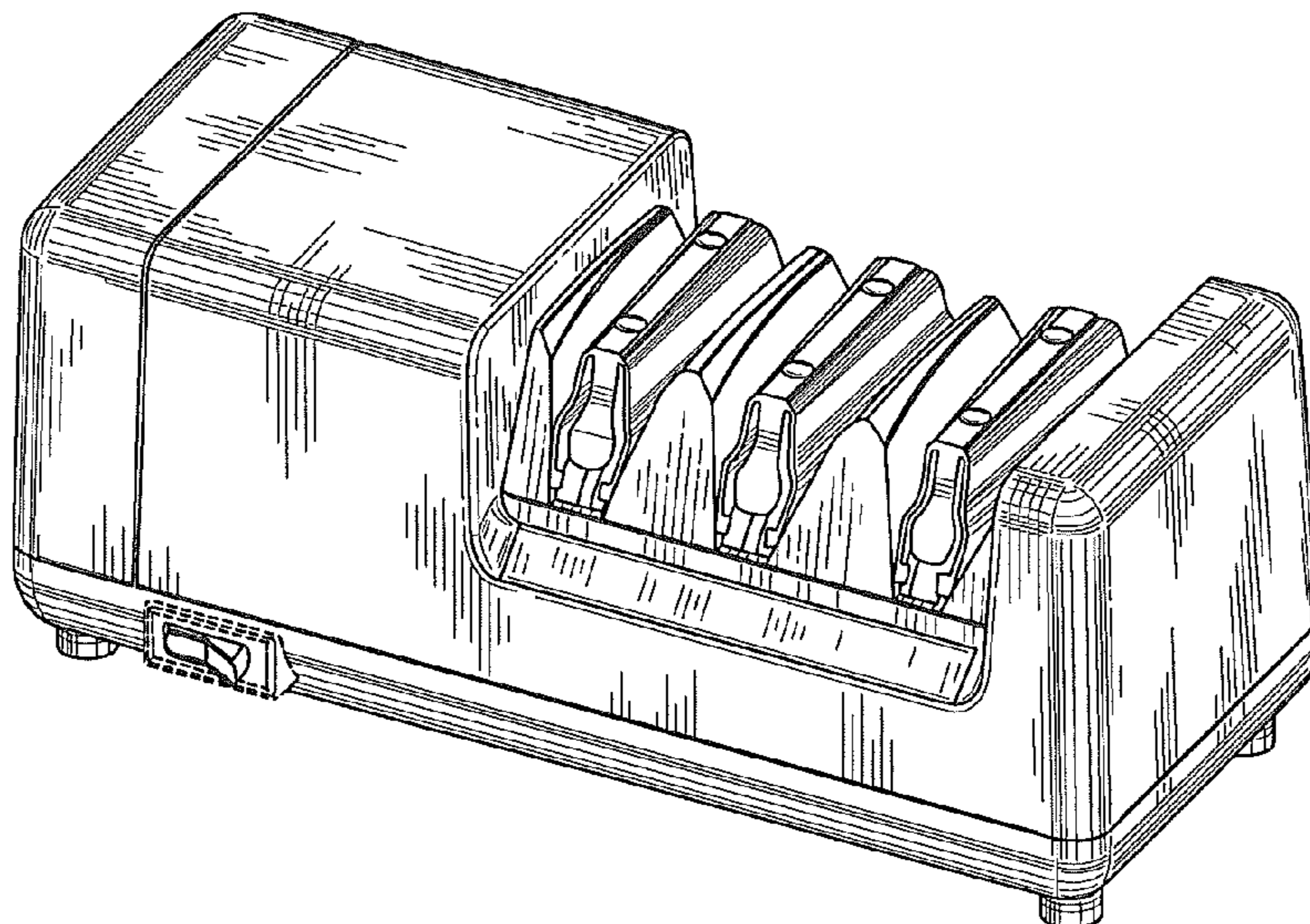
FIG. 5 is a right side elevational view thereof;

FIG. 6 is a top plan view thereof; and,

FIG. 7 is a bottom plan view thereof.

The broken lines in the drawings illustrate portions of the three stage knife sharpener that form no part of the claim.

1 Claim, 4 Drawing Sheets



US D680,399 S

Page 2

U.S. PATENT DOCUMENTS

6,267,652	B1	7/2001	Friel	7,517,275	B2	4/2009	Friel
6,802,763	B1	10/2004	Leung	7,740,522	B2	6/2010	Walker
6,863,600	B2	3/2005	Friel	D620,332	S	7/2010	Elek
6,875,093	B2	4/2005	Friel	D624,799	S	10/2010	De Bretton Gordon
D517,891	S	3/2006	Tsuchida	D632,153	S	2/2011	Walker
D542,616	S	5/2007	Elek	D641,225	S	7/2011	Friel
D543,430	S	5/2007	Barr	D641,226	S	7/2011	Friel
7,235,004	B2	6/2007	Friel	D651,887	S	1/2012	Elek
D567,611	S	4/2008	Elek	D652,284	S	1/2012	Elek
D575,124	S	8/2008	Smith	2003/0236061	A1	12/2003	Li
D587,551	S	3/2009	Friel	2004/0077296	A1	4/2004	Friel

* cited by examiner

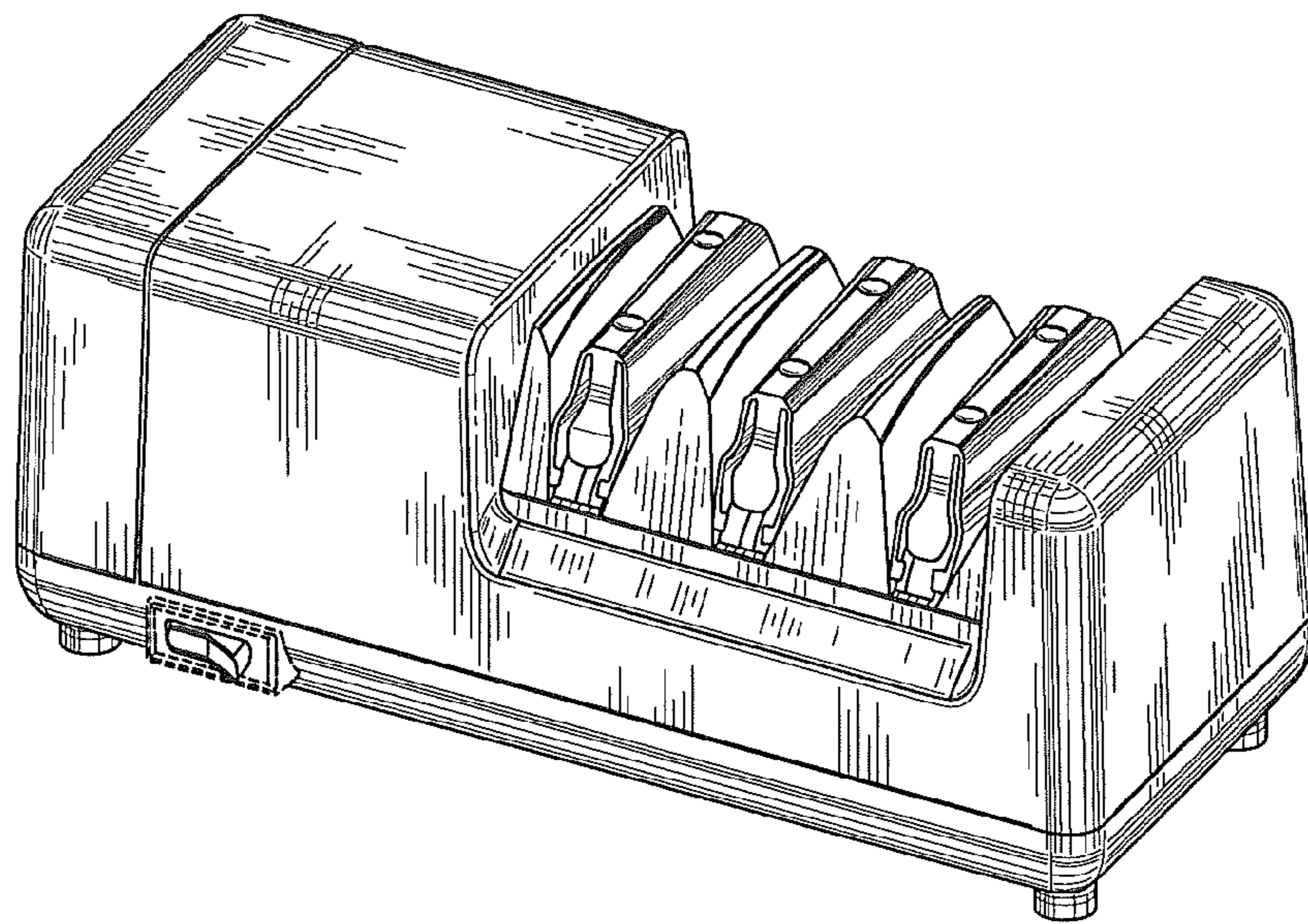


FIG. 1

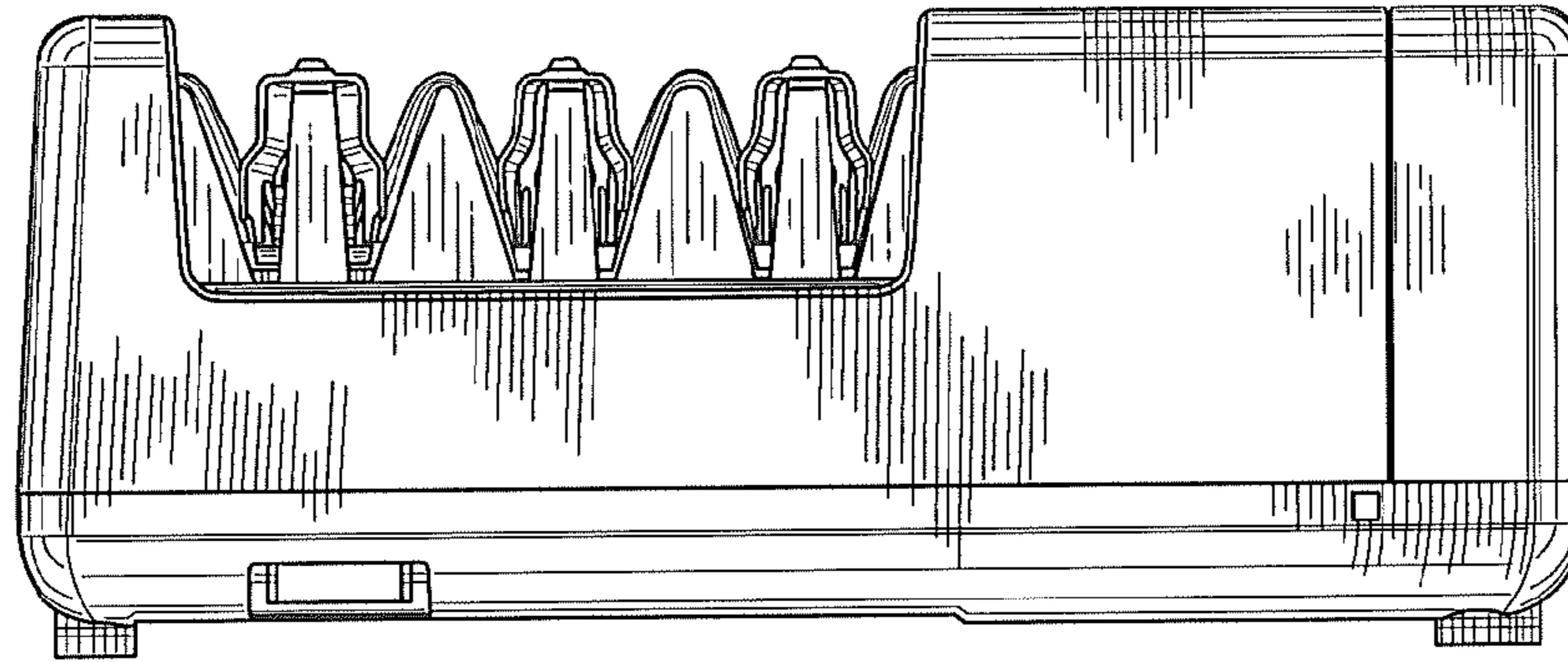


FIG. 2

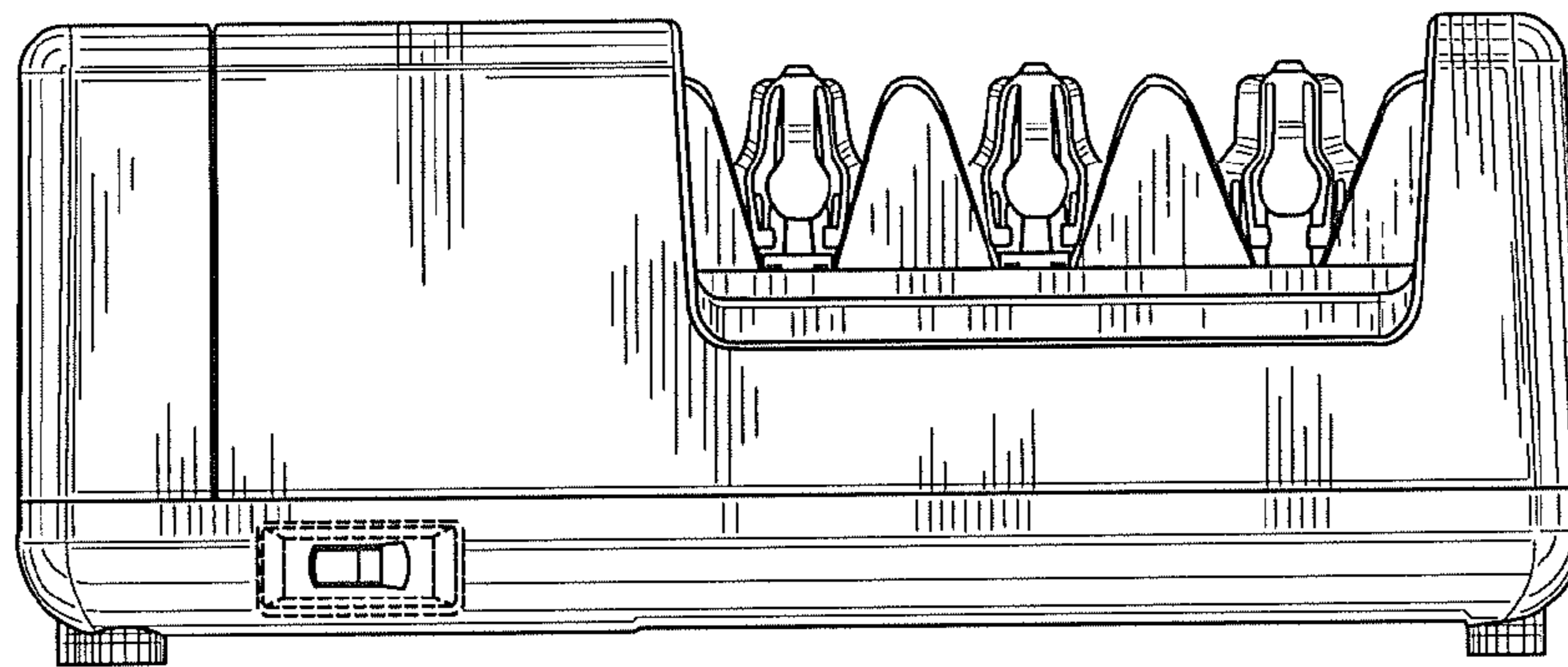


FIG. 3

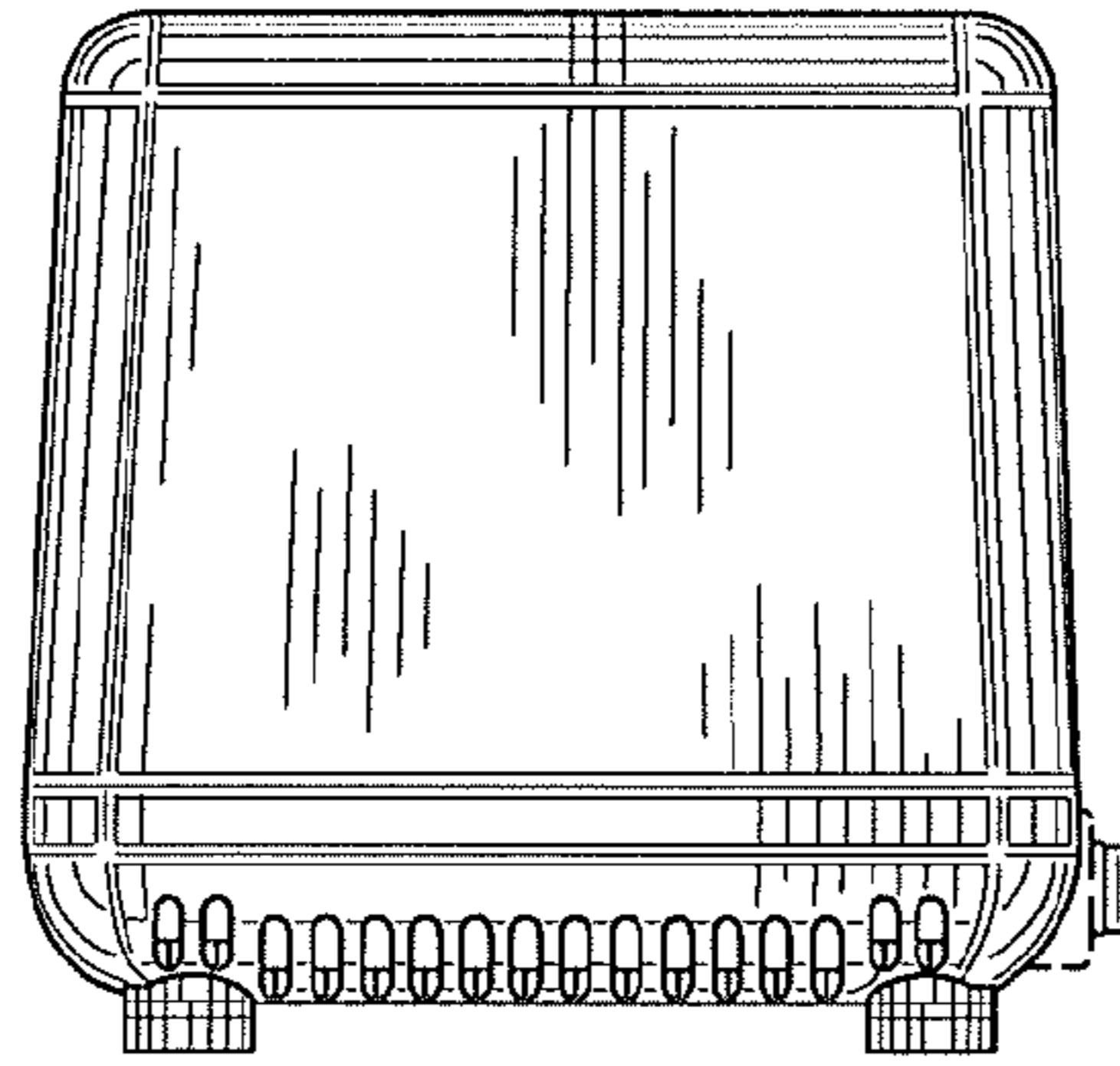


FIG. 4

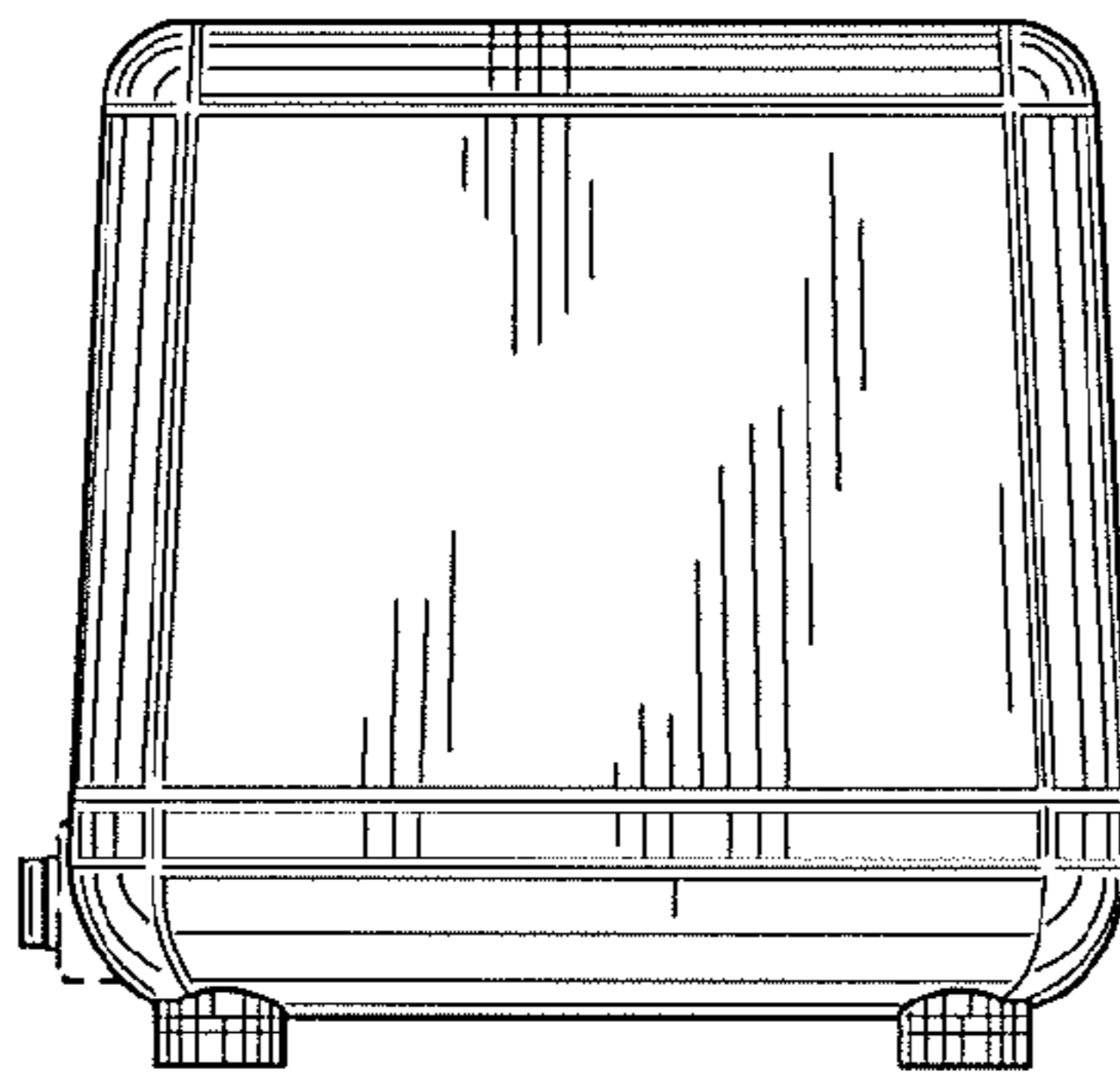


FIG. 5

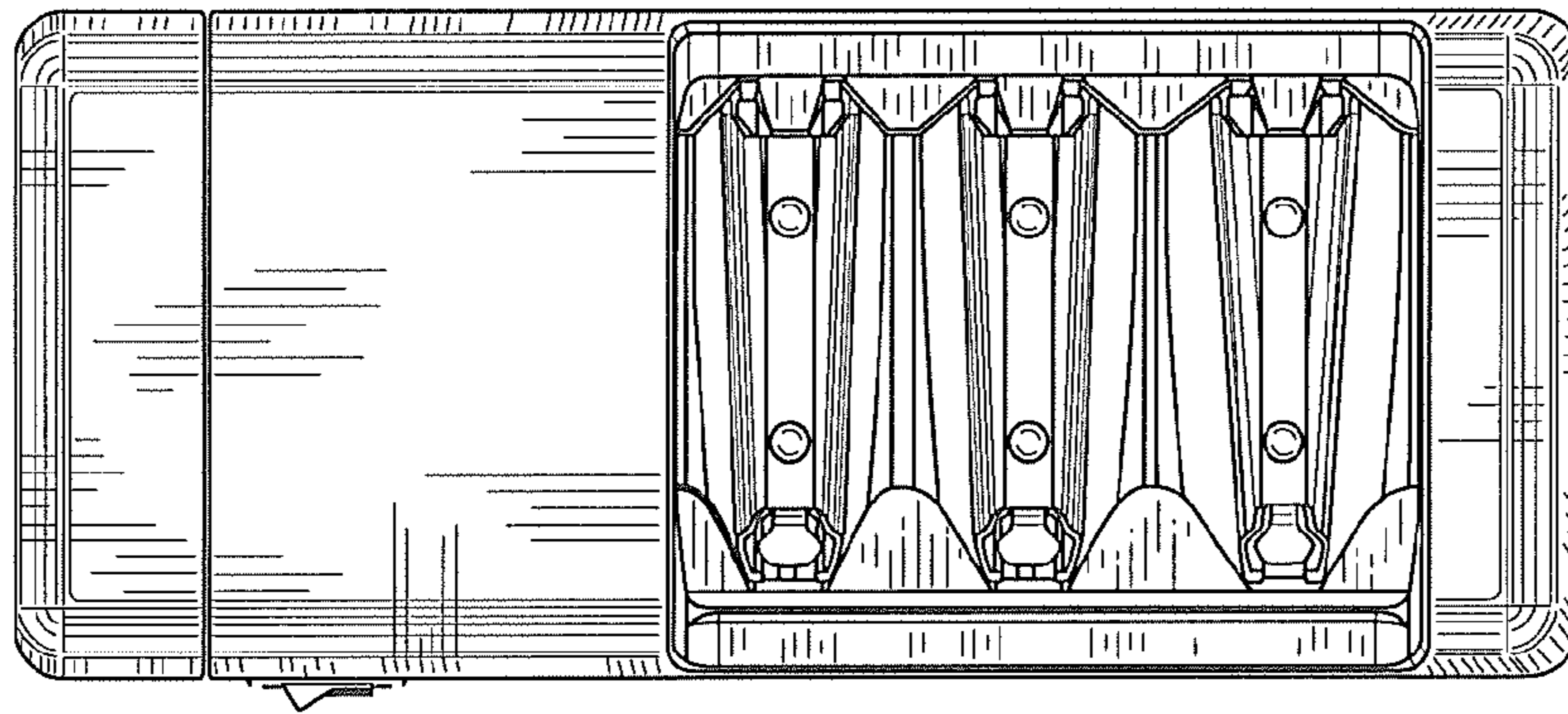


FIG. 6

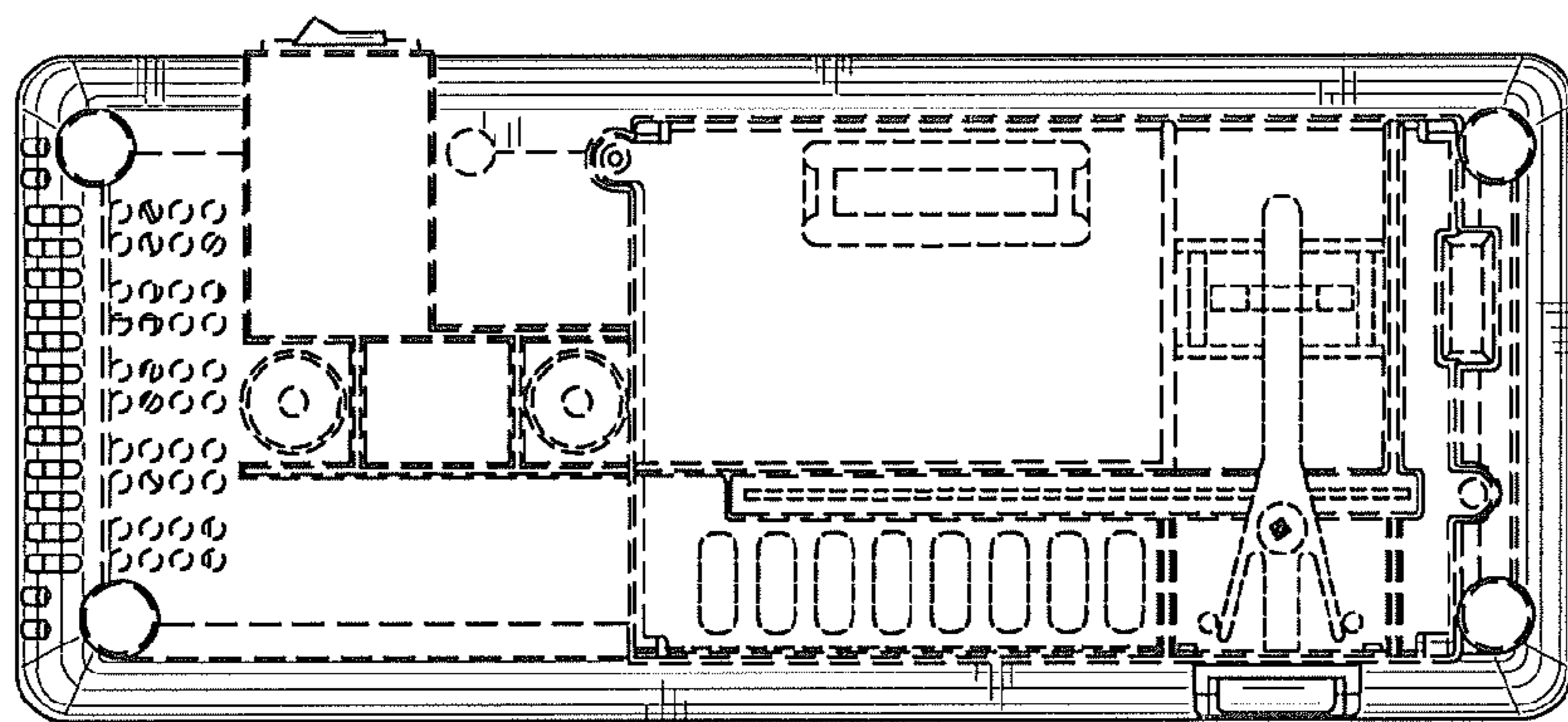


FIG. 7