



US00D680397S

(12) **United States Design Patent**  
**Chang**

(10) **Patent No.:** **US D680,397 S**

(45) **Date of Patent:** **\*\* Apr. 23, 2013**

(54) **WRENCH DETENT HAVING  
UNSYMMETRICAL TOOTH SHAPES AT LEFT  
AND RIGHT END**

7,263,919	B2 *	9/2007	Arnold	81/63.2
7,270,036	B1 *	9/2007	Chen	81/467
7,334,504	B2 *	2/2008	Liu	81/63.2
7,444,904	B2 *	11/2008	Huang	81/63.2
7,536,934	B1 *	5/2009	Tatangelo	81/60

(76) Inventor: **Chuck Chang**, Taichung (TW)

\* cited by examiner

(\*\*) Term: **14 Years**

*Primary Examiner* — Raphael Barkai  
*Assistant Examiner* — Randall Gholson

(21) Appl. No.: **29/399,896**

(22) Filed: **Aug. 19, 2011**

(57) **CLAIM**

(51) **LOC (9) Cl.** ..... **08-05**

The ornamental design for wrench detent having unsymmetrical tooth shapes at left and right end, as shown and described.

(52) **U.S. Cl.**

**DESCRIPTION**

USPC ..... **D8/21**

(58) **Field of Classification Search** ..... D8/21-29;  
81/177.1, 177.85, 121.1, 124.3, 165-170,  
81/110.1, 176.2, 124.6, 176.1, 176.15, 177.2;  
16/110.1; D15/144.1; 219/75, 227, 229,  
219/121.16, 121.18

See application file for complete search history.

FIG. 1 is a perspective view of wrench detent having unsymmetrical tooth shapes at left and right end showing my new design;  
FIG. 2 is a front elevational view thereof;  
FIG. 3 is a rear elevational view thereof;  
FIG. 4 is a left side elevational view thereof;  
FIG. 5 is a right side elevational view thereof;  
FIG. 6 is a top plan view thereof;  
FIG. 7 is a bottom plan view thereof; and,  
FIG. 8 is a front elevation view of second embodiment thereof.

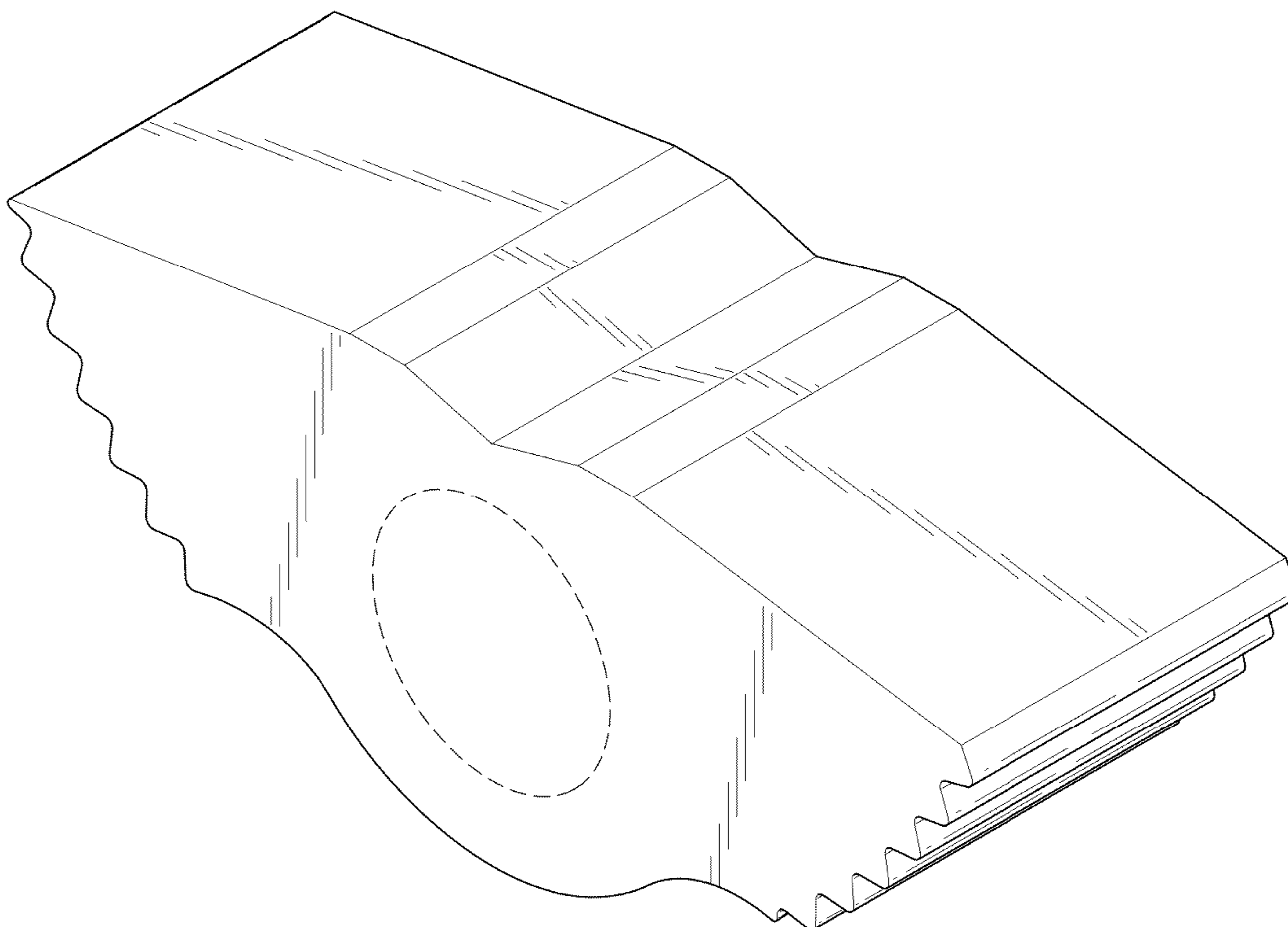
(56) **References Cited**

**U.S. PATENT DOCUMENTS**

5,603,247	A *	2/1997	Wei	81/63.2
6,065,374	A *	5/2000	Taggart	81/63.2
6,134,991	A *	10/2000	Chaconas	81/63
6,205,891	B1 *	3/2001	Huang et al.	81/63.1
7,004,052	B1 *	2/2006	Shu-Sui et al.	81/63
7,082,860	B2 *	8/2006	Shu-Sui et al.	81/63.1
7,082,861	B1 *	8/2006	Chen	81/63.2
7,210,380	B1 *	5/2007	Wu	81/63.2

The broken lines shown on the drawings are included for the purpose of illustration only and form no part of the claimed design.

**1 Claim, 5 Drawing Sheets**



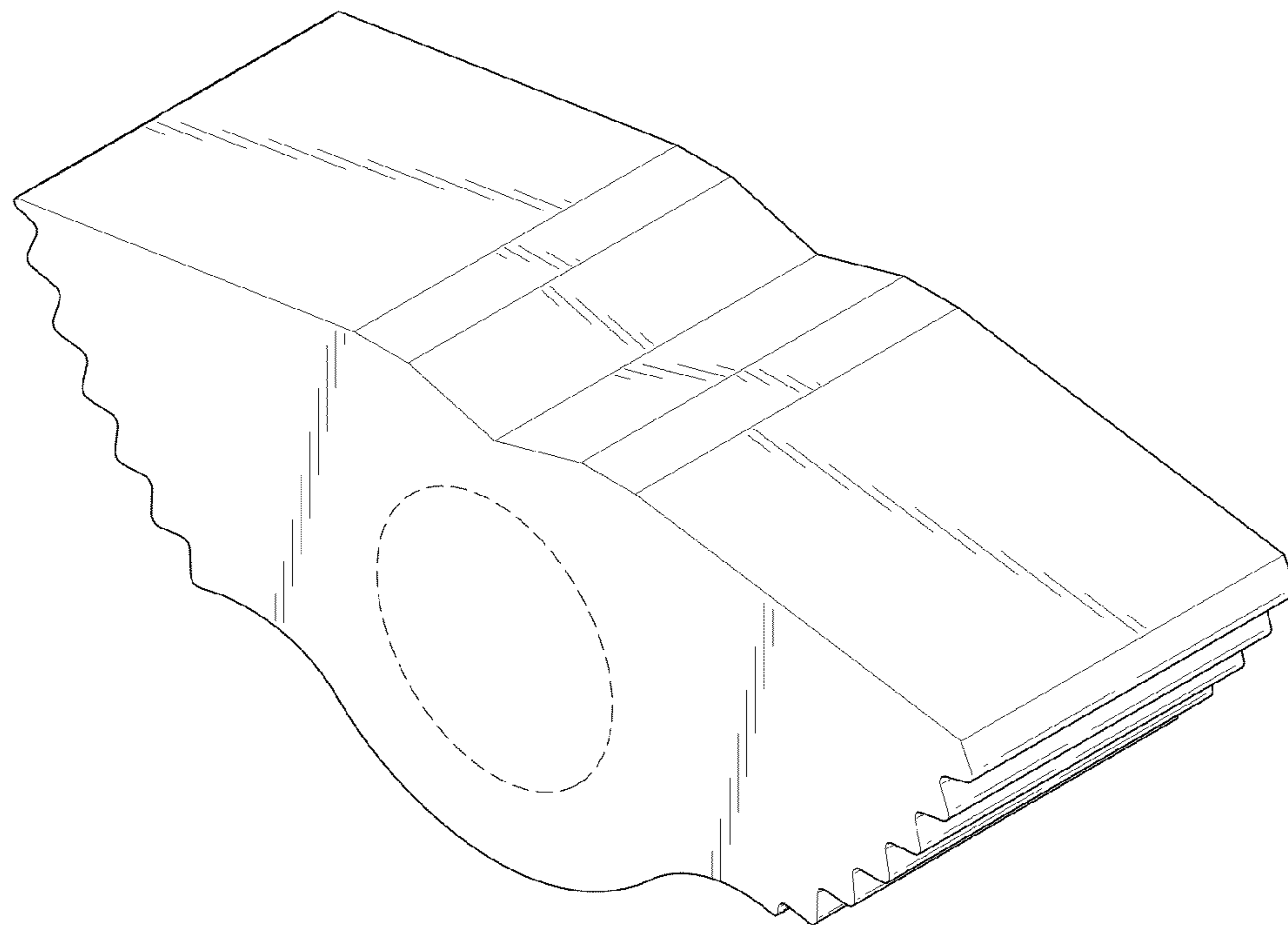


FIG. 1

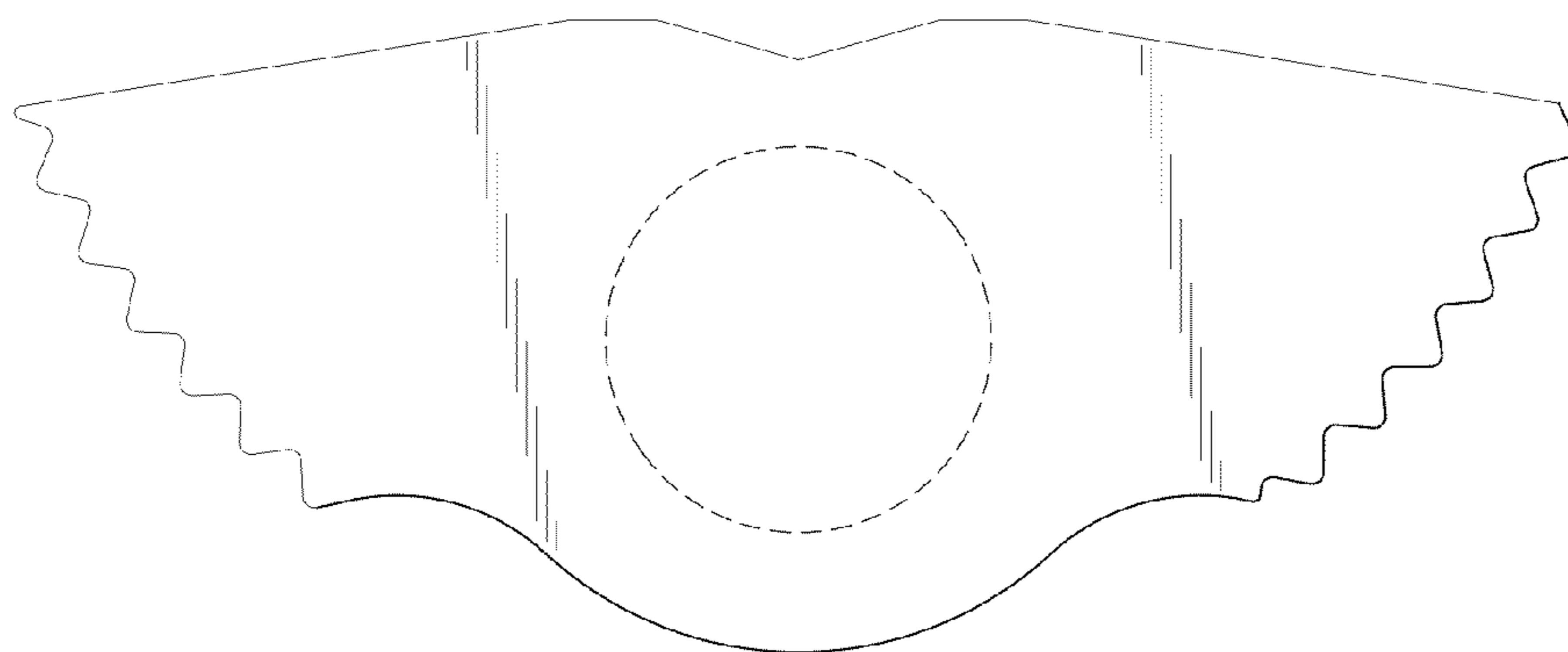


FIG. 2

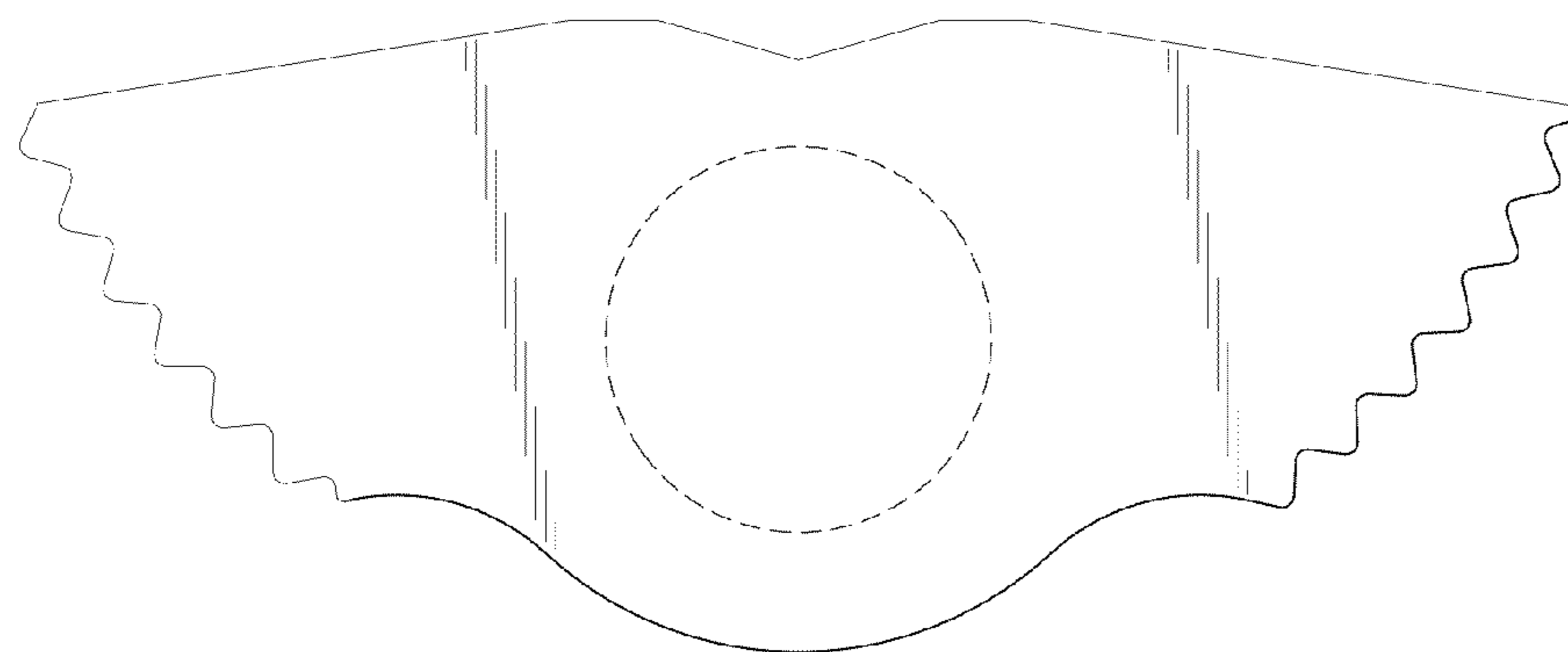


FIG. 3

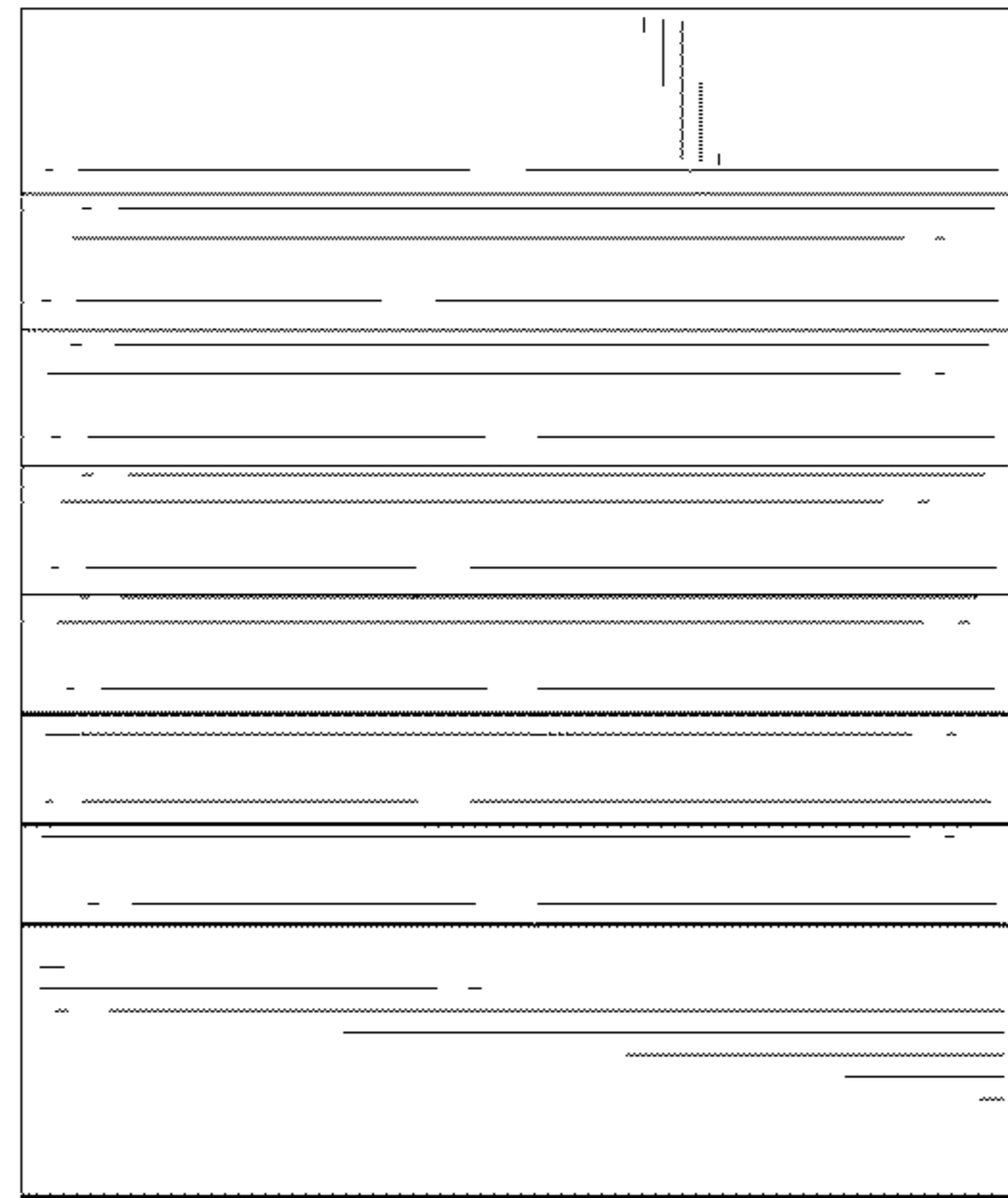


FIG. 4



FIG. 5

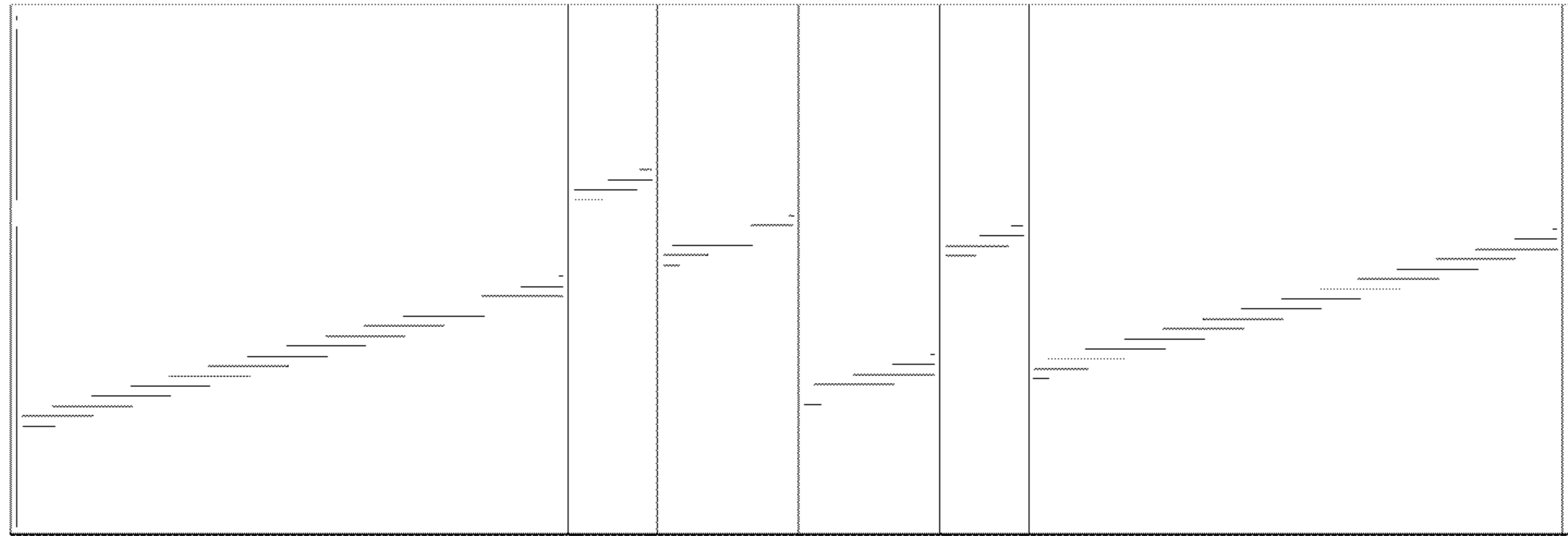


FIG. 6

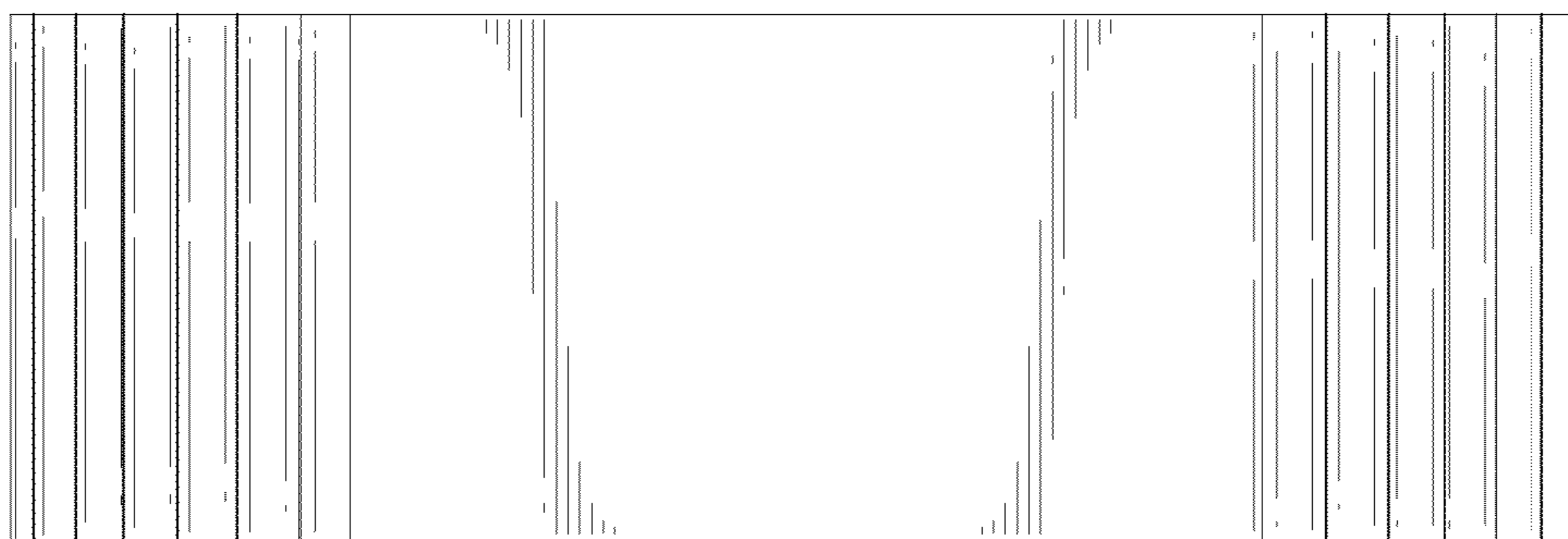


FIG. 7

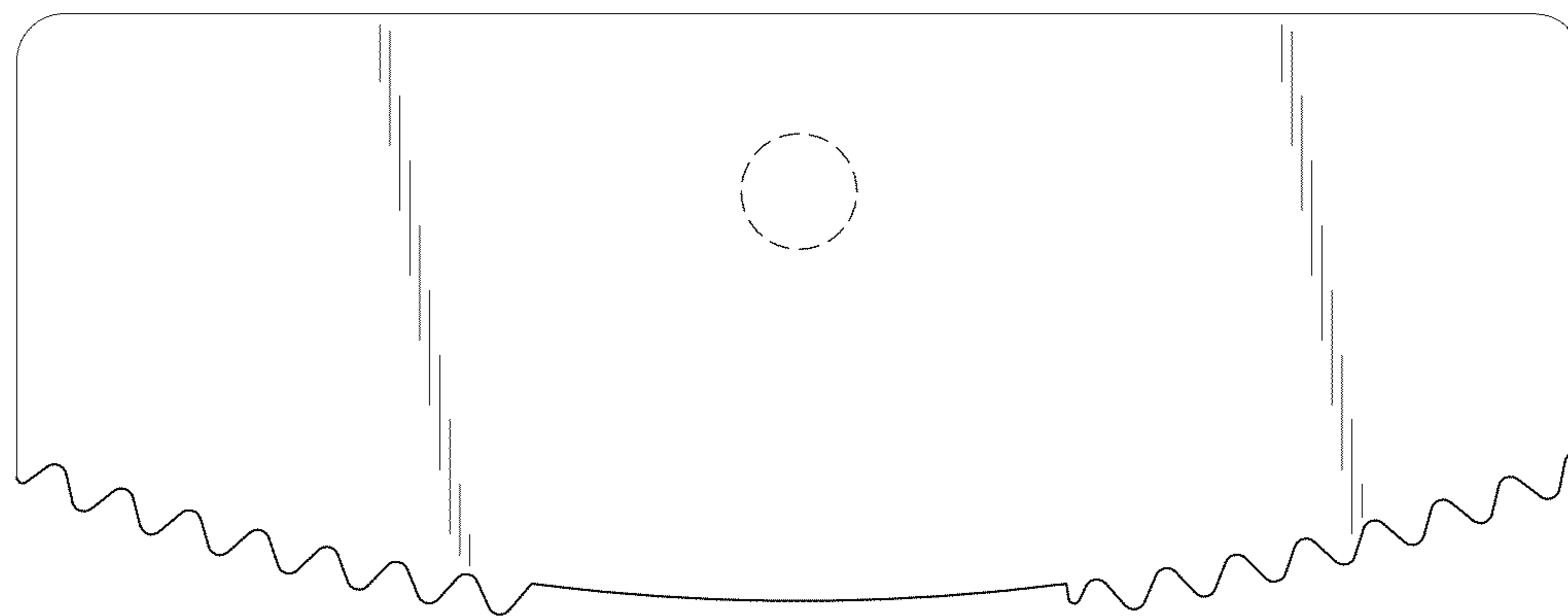


FIG. 8