



US00D680396S

(12) **United States Design Patent**
He

(10) **Patent No.:** **US D680,396 S**

(45) **Date of Patent:** **** Apr. 23, 2013**

(54) **KEY WRENCH**

(75) Inventor: **Jian-Cheng He**, Taichung (TW)

(73) Assignee: **Hsiang Jih Hardware Ent. Co., Ltd.**,
Taichung (TW)

(**) Term: **14 Years**

(21) Appl. No.: **29/397,429**

(22) Filed: **Jul. 15, 2011**

(51) **LOC (9) Cl.** **08-05**

(52) **U.S. Cl.**
USPC **D8/21**

(58) **Field of Classification Search** D8/21-29;
81/177.1, 177.85, 121.1, 124.3, 165-170,
81/110.1, 176.2, 124.6, 176.1, 176.15, 177.2;
16/110.1; D15/144.1; 219/75, 227, 229,
219/121.16, 121.18

See application file for complete search history.

(56) **References Cited**

U.S. PATENT DOCUMENTS

1,416,461	A *	5/1922	Hance	7/138
1,503,349	A *	7/1924	Clay	81/176.15
2,493,796	A *	1/1950	Williams	81/436
D334,516	S *	4/1993	Tsunoda	D8/29
5,303,439	A *	4/1994	Seals	7/138
5,927,165	A *	7/1999	Vasudeva	81/448

6,032,556	A *	3/2000	Hu	81/436
6,427,564	B1 *	8/2002	Nelson	81/177.2
6,550,358	B1 *	4/2003	Martin	81/177.2
6,745,653	B2 *	6/2004	Kurtz et al.	81/177.2
7,059,222	B2 *	6/2006	Hsien	81/443
2007/0214914	A1 *	9/2007	Andersin	81/60

* cited by examiner

Primary Examiner — Raphael Barkai

Assistant Examiner — Randall Gholson

(74) *Attorney, Agent, or Firm* — Muncy, Geissler, Olds & Lowe, PLLC

(57) **CLAIM**

I claim the ornamental design for a key wrench, as shown and described.

DESCRIPTION

FIG. 1 is a perspective view of the key wrench showing my new design;

FIG. 2 is a front view thereof;

FIG. 3 is a rear view thereof;

FIG. 4 is a left view thereof;

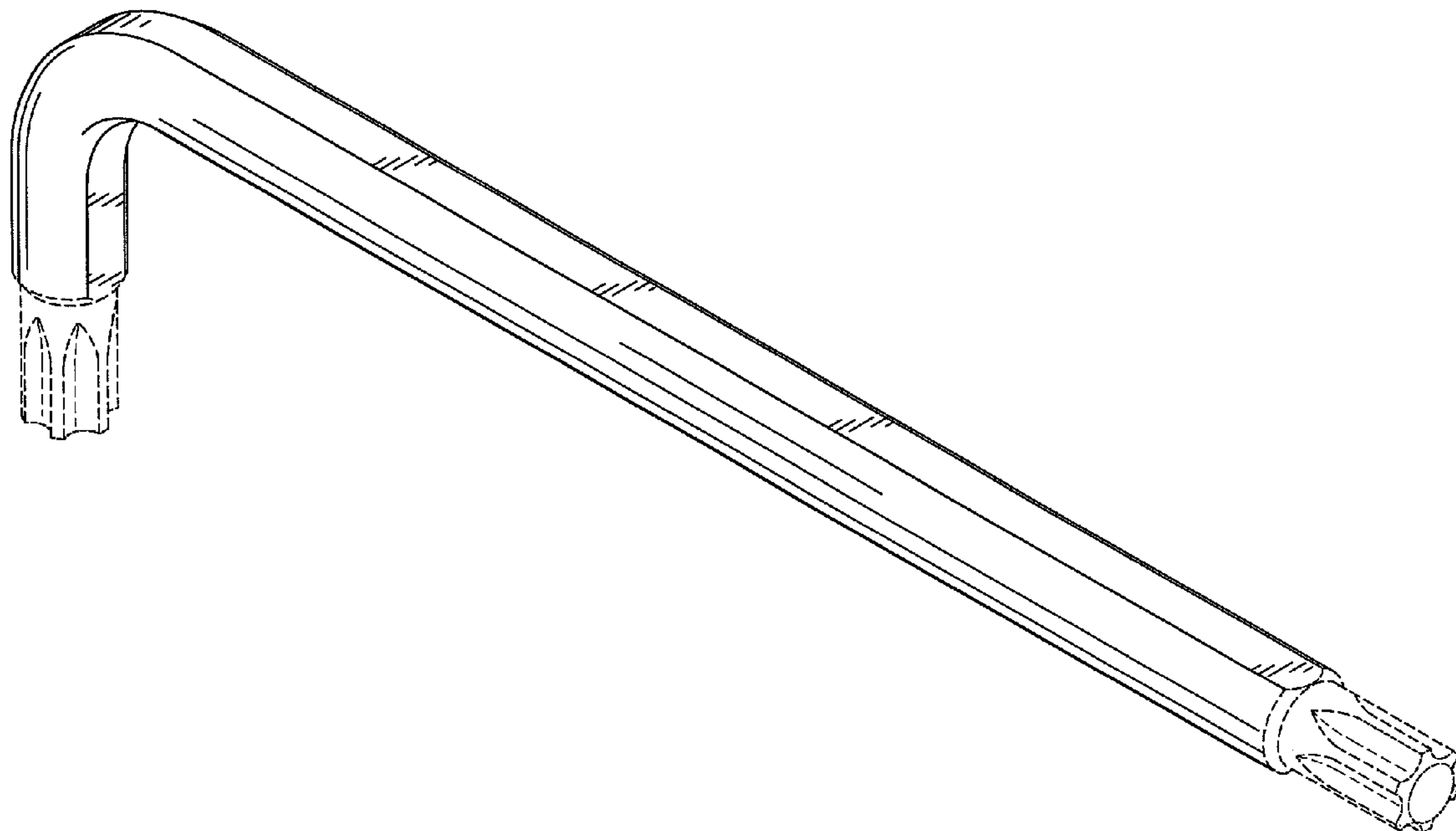
FIG. 5 is a right view thereof;

FIG. 6 is a top plan view thereof; and,

FIG. 7 is a bottom plan view thereof.

The engagement ends of the wrench shown in broken lines in FIGS. 1-7 are for the purposes of illustration only and form no part of the claimed design.

1 Claim, 5 Drawing Sheets



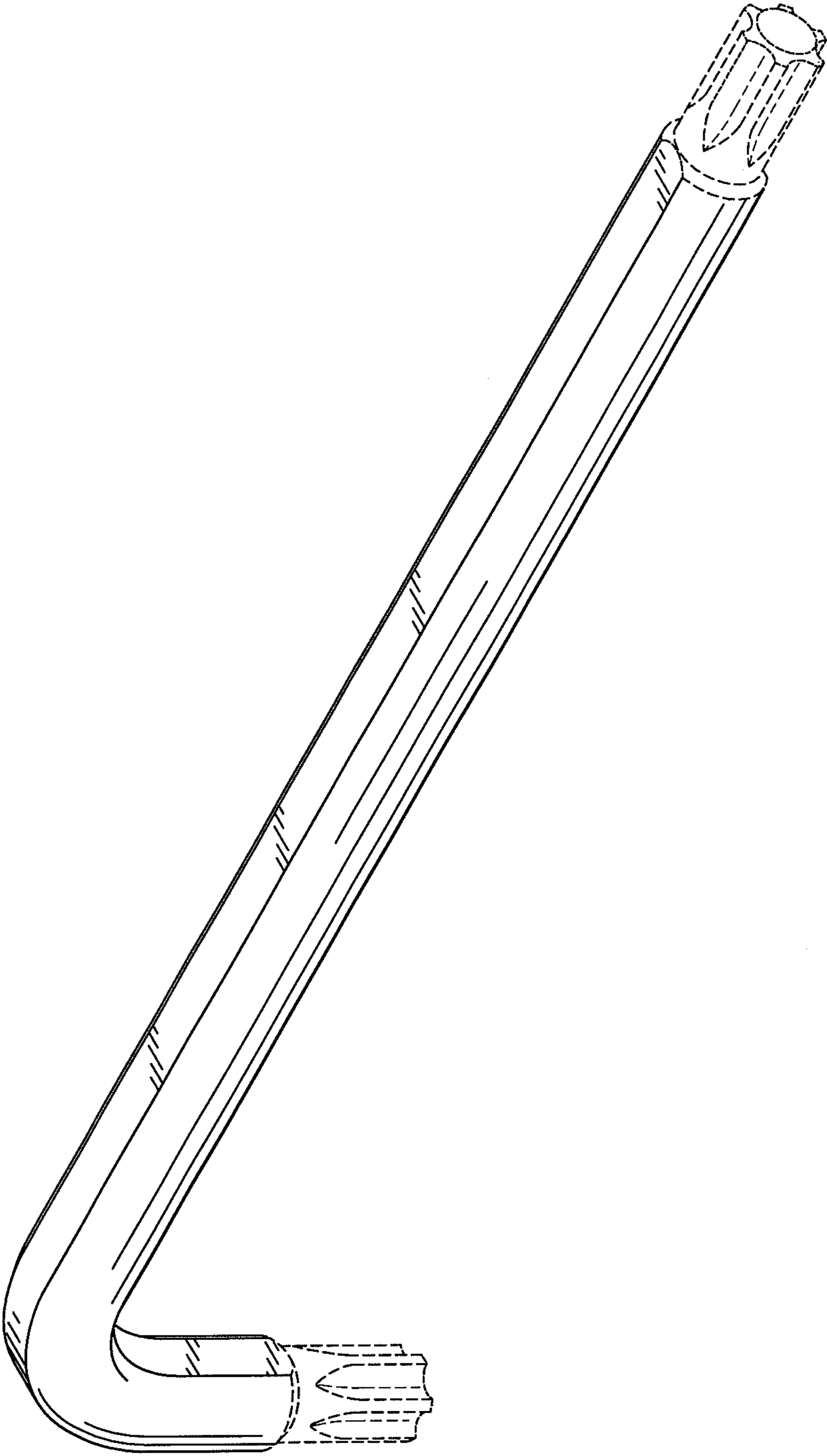


FIG. 1

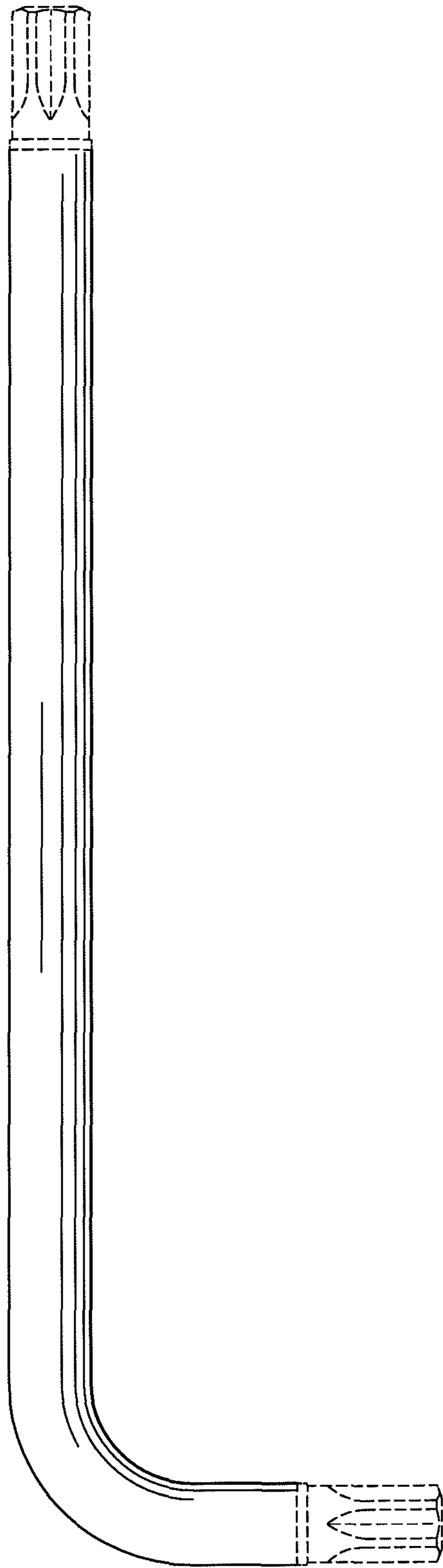


FIG. 2

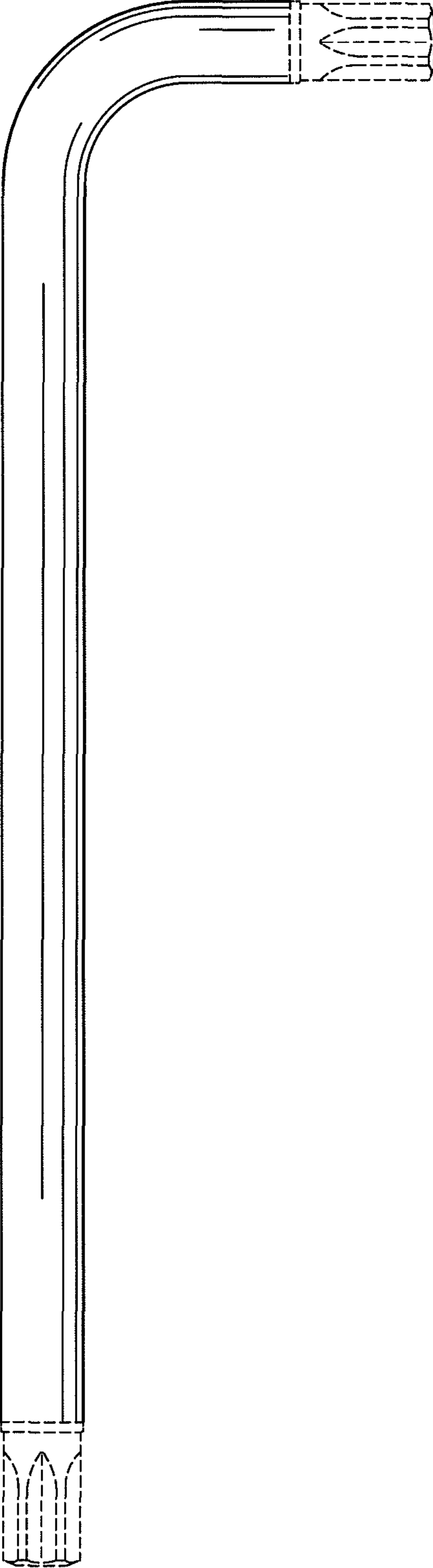


FIG. 3

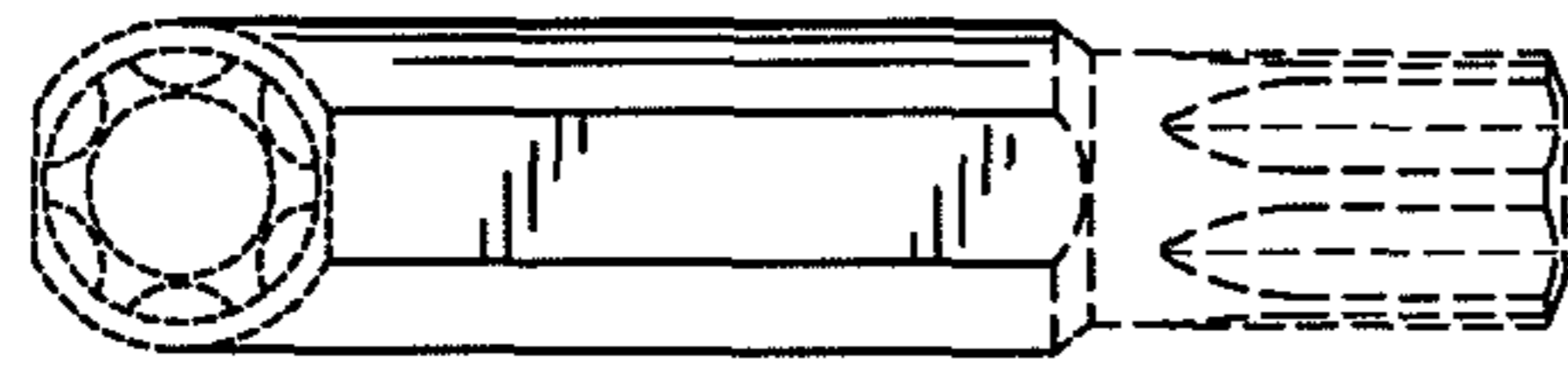


FIG. 5

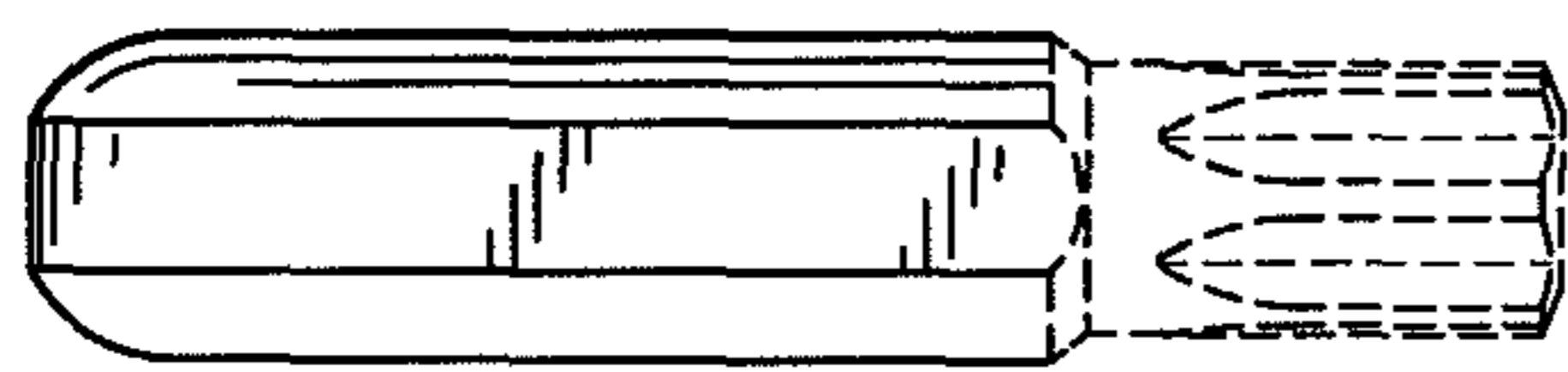


FIG. 4



FIG. 6



FIG. 7