



US00D680394S

(12) **United States Design Patent**
Mirza

(10) **Patent No.:** **US D680,394 S**

(45) **Date of Patent:** **** Apr. 23, 2013**

(54) **GLASS HOLDER**

(76) Inventor: **Ahmed Mirza**, Los Angeles, CA (US)

(**) Term: **14 Years**

(21) Appl. No.: **29/418,707**

(22) Filed: **Apr. 19, 2012**

(51) **LOC (9) Cl.** **06-04**

(52) **U.S. Cl.**
USPC **D7/707**

(58) **Field of Classification Search** D7/701-708,
D7/600.1-600.4; 211/202, 118, 41.3, 77,
211/129.1, 131.1, 85, 105, 74, 71.01, 78;
D32/55

See application file for complete search history.

(56) **References Cited**

U.S. PATENT DOCUMENTS

| | | | | | |
|--------------|------|---------|------------------|-------|-----------|
| 2,664,207 | A * | 12/1953 | Bustamante | | 211/74 |
| D191,059 | S * | 8/1961 | Rennels | | D7/708 |
| 4,364,480 | A * | 12/1982 | Ohno | | 211/85 |
| D342,191 | S * | 12/1993 | Cronk | | D7/706 |
| D346,312 | S * | 4/1994 | Spiersch | | D7/708 |
| 5,425,460 | A * | 6/1995 | Barbarian | | 211/77 |
| 5,492,237 | A * | 2/1996 | Chang | | 211/41.3 |
| D404,264 | S * | 1/1999 | Lipar | | D7/704 |
| D490,198 | S * | 5/2004 | Jerstroem et al. | | D32/55 |
| D496,831 | S * | 10/2004 | Strahota et al. | | D7/600.3 |
| D561,541 | S * | 2/2008 | Stephen | | D7/707 |
| 2005/0236346 | A1 * | 10/2005 | Whitney | | 211/74 |
| 2010/0293850 | A1 * | 11/2010 | Fisher | | 211/71.01 |

* cited by examiner

Primary Examiner — Terry Wallace

(74) *Attorney, Agent, or Firm* — Kenneth L. Green

(57) **CLAIM**

The ornamental design for a glass holder, as shown and described.

DESCRIPTION

FIG. 1 is a perspective view showing the top and side of the glass holder showing my new design.

FIG. 2 is a front view of the glass holder showing my new design.

FIG. 3 is a side view of the glass holder showing my new design.

FIG. 4 is a top plan view of the glass holder showing my new design.

FIG. 5 is a bottom plan view of the glass holder showing my new design.

FIG. 6 is a perspective view showing the top and side of a second embodiment of the glass holder showing my new design.

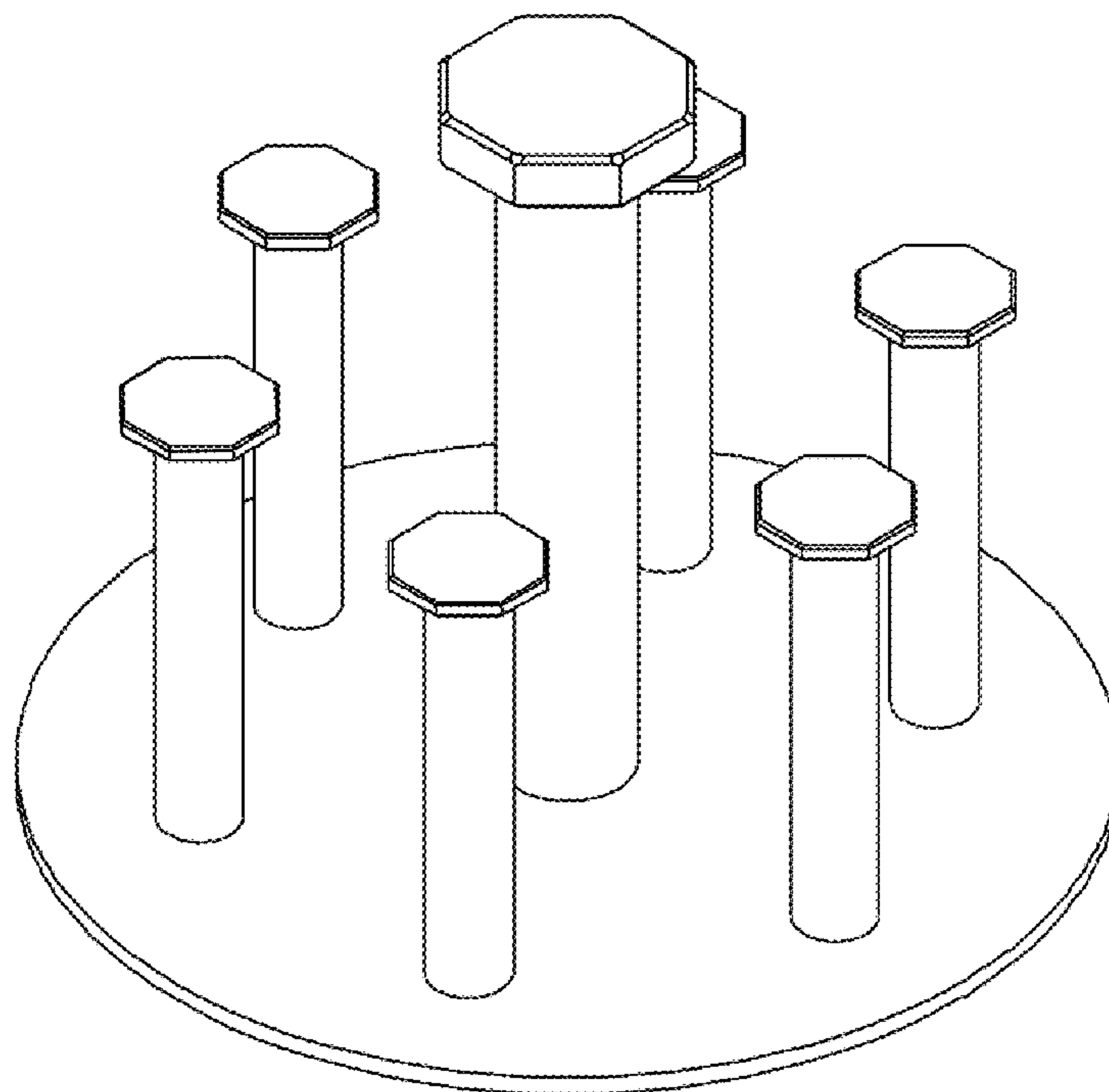
FIG. 7 is a front view of the second embodiment of the glass holder showing my new design.

FIG. 8 is a side view of the second embodiment of the glass holder showing my new design.

FIG. 9 is a top plan view of the second embodiment of the glass holder showing my new design; and,

FIG. 10 is a bottom plan view of the second embodiment of the glass holder showing my new design.

1 Claim, 2 Drawing Sheets



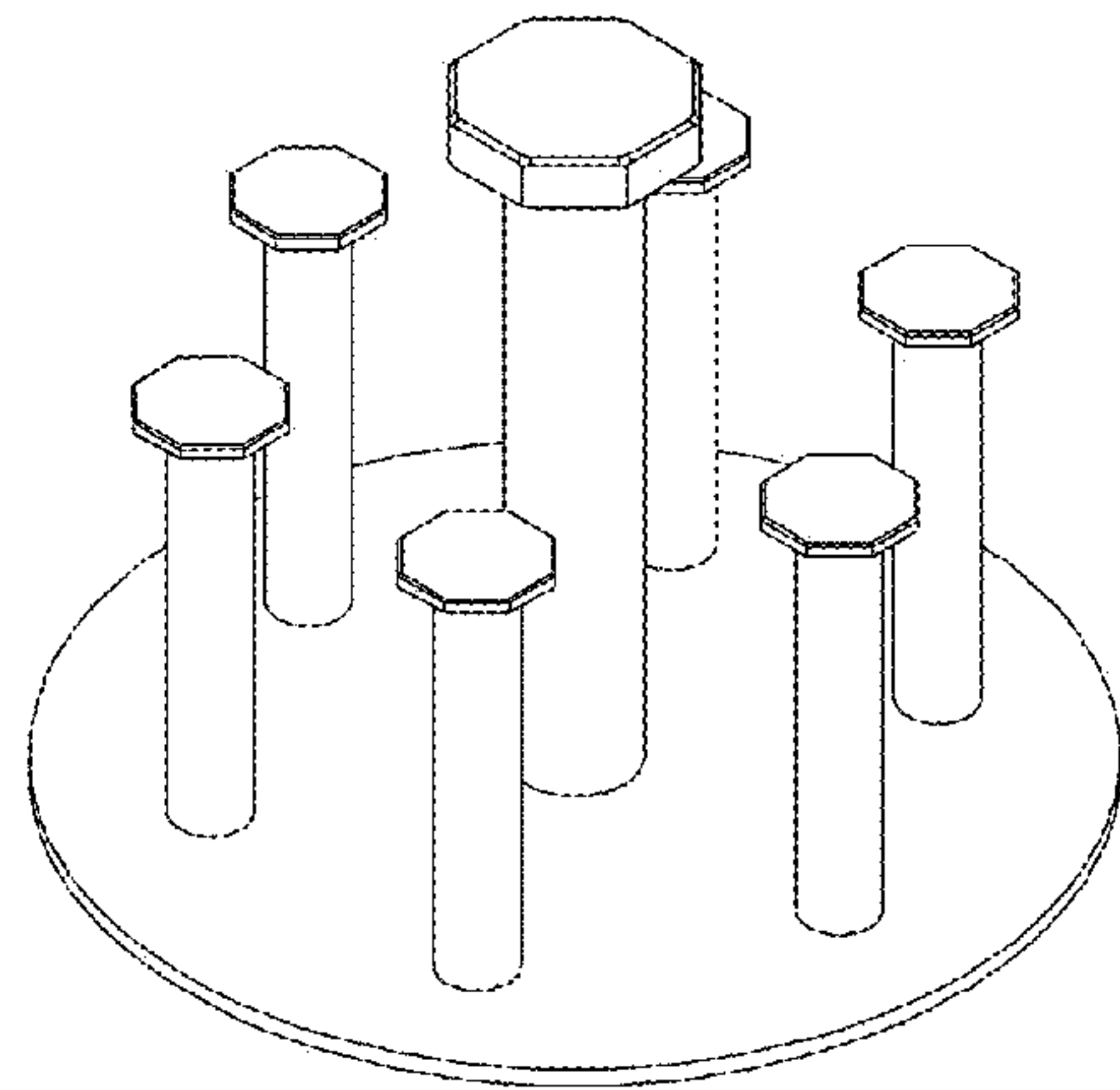


FIG. 1

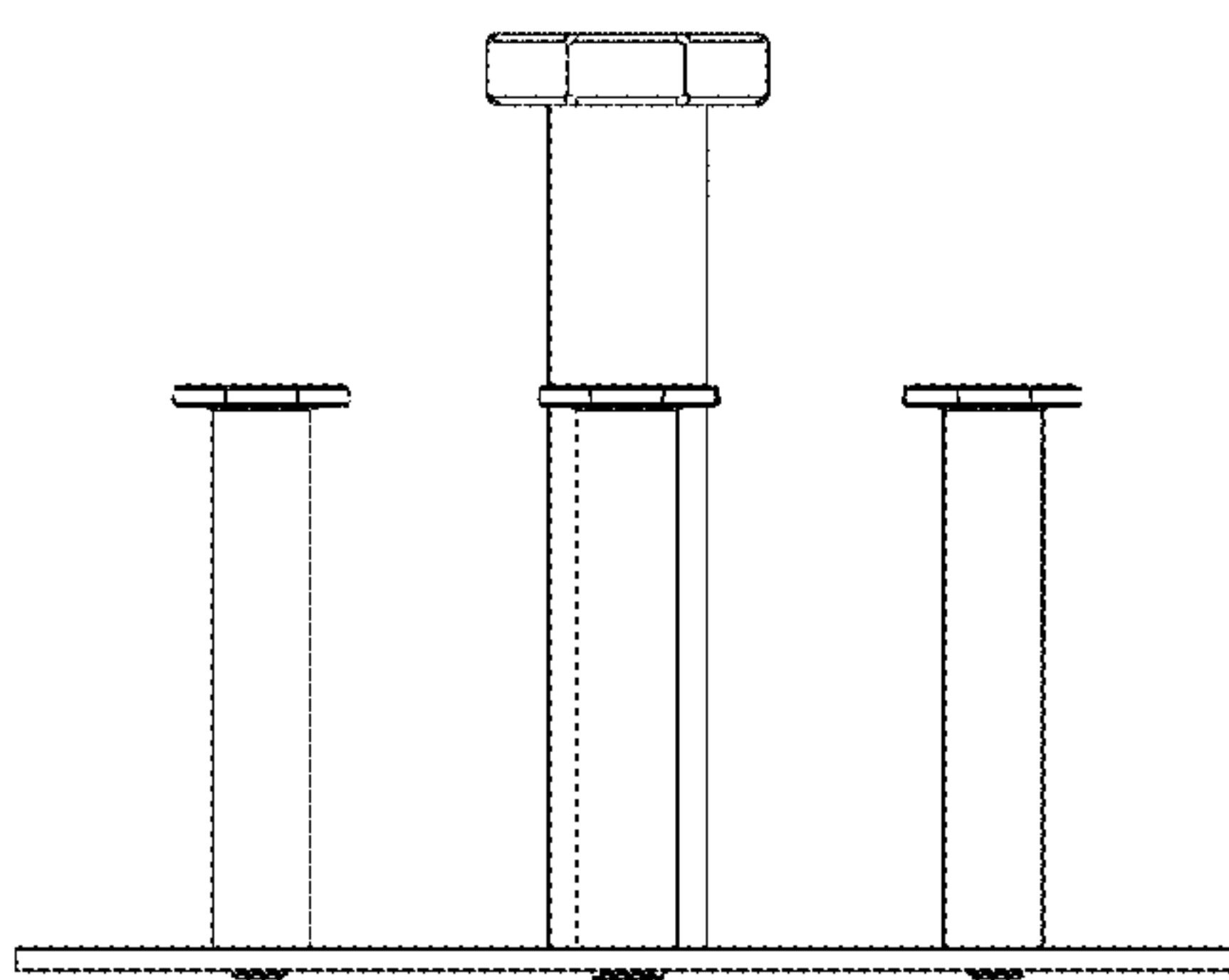


FIG. 2

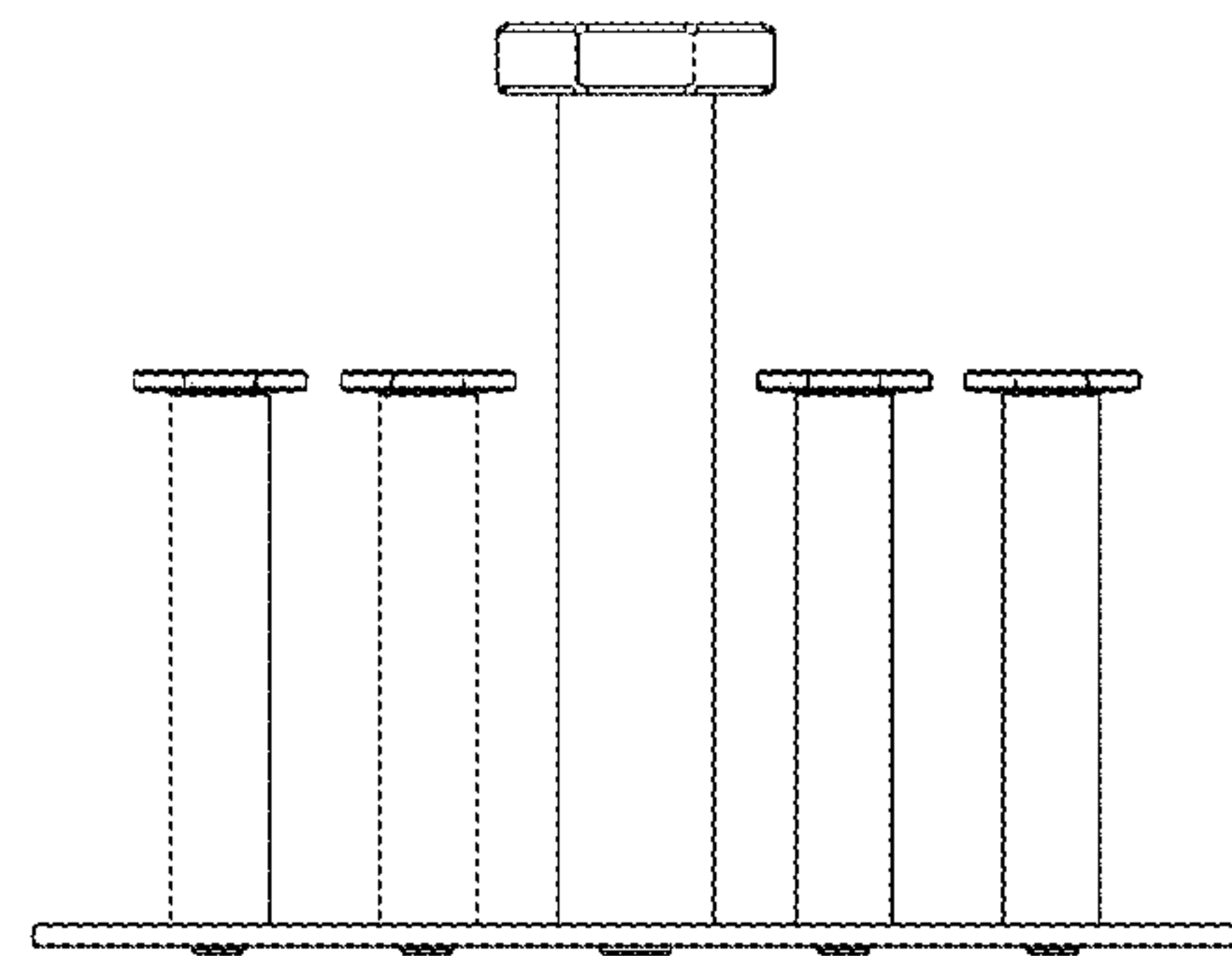


FIG. 3

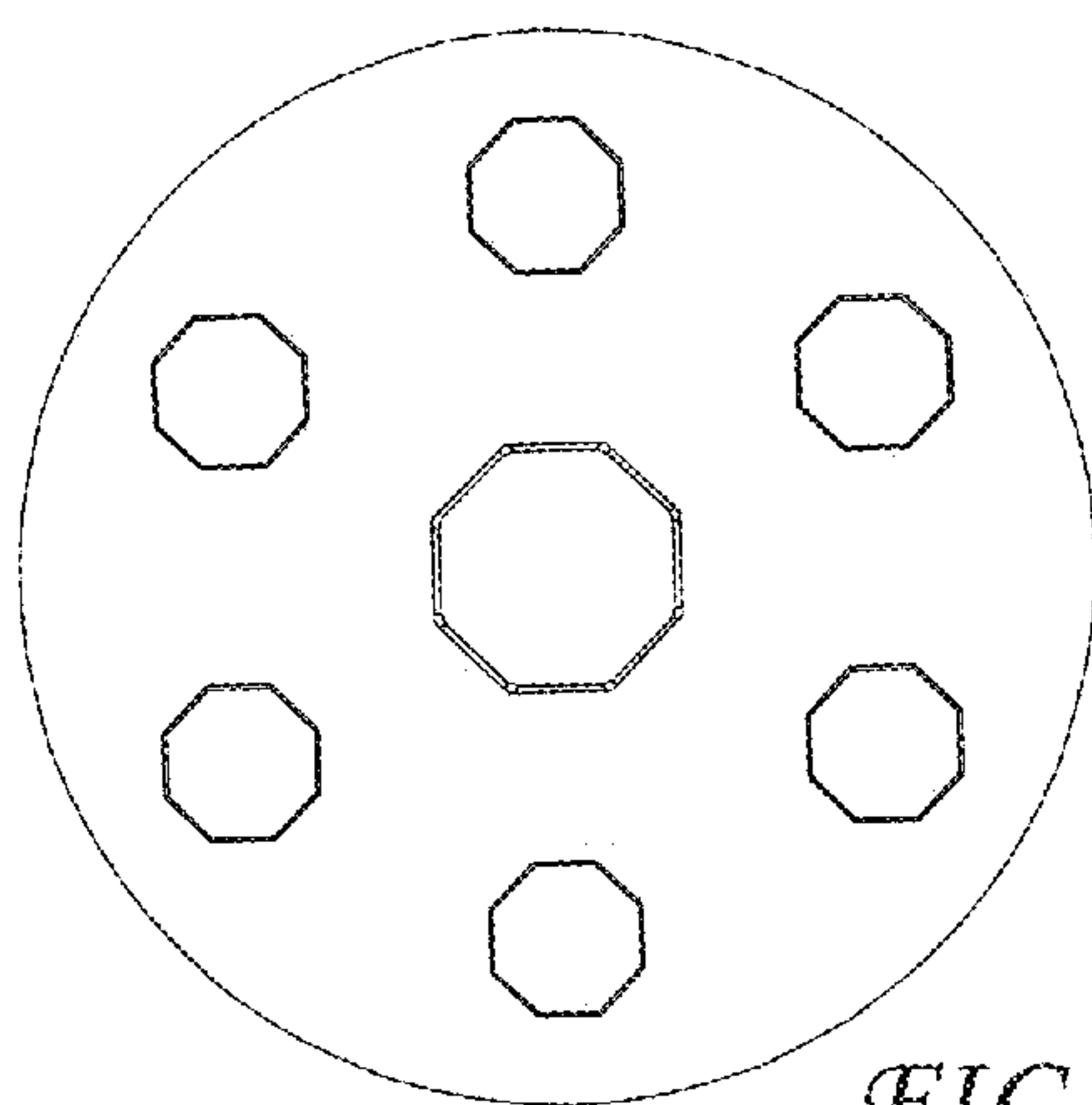


FIG. 4

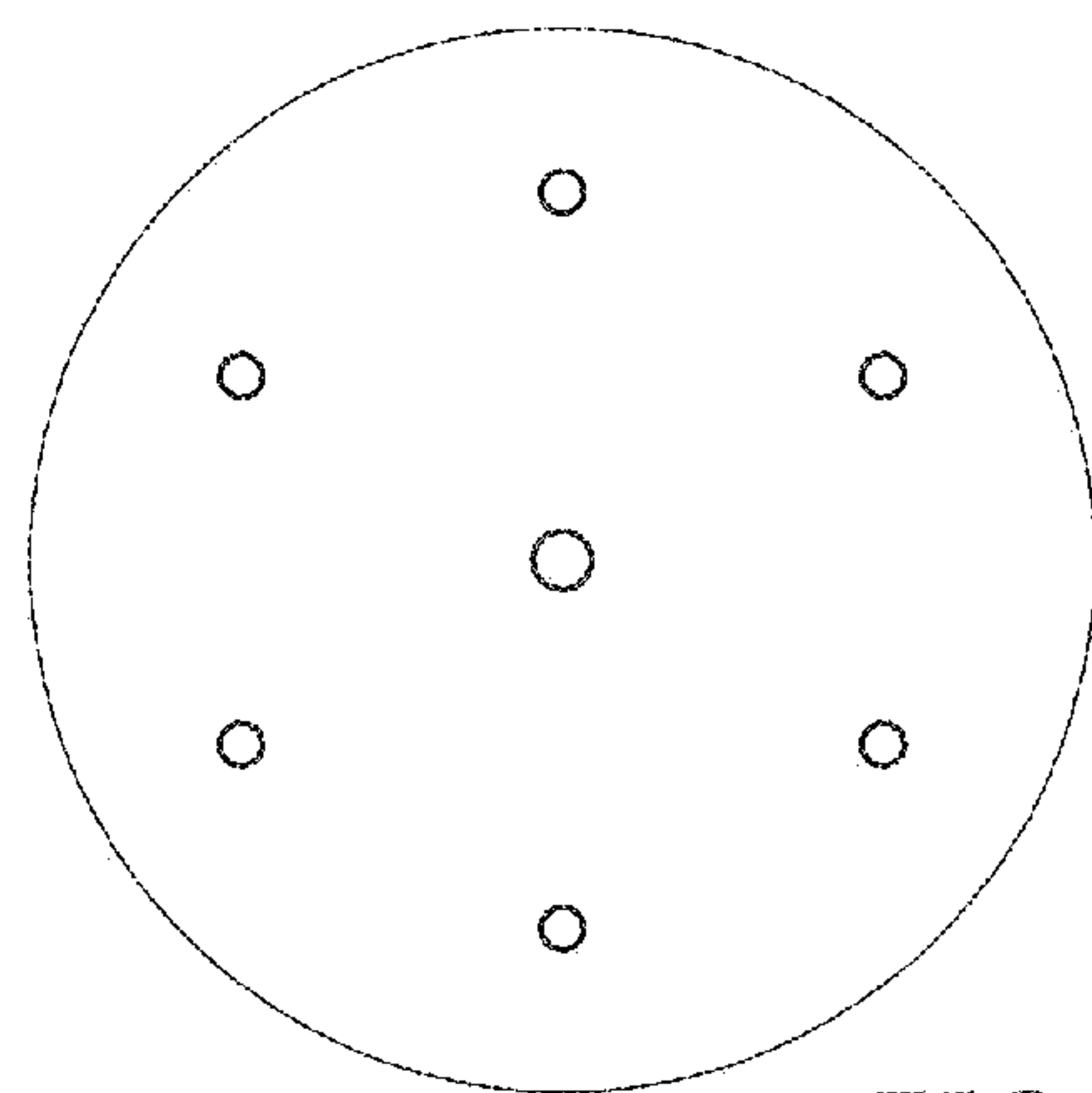


FIG. 5

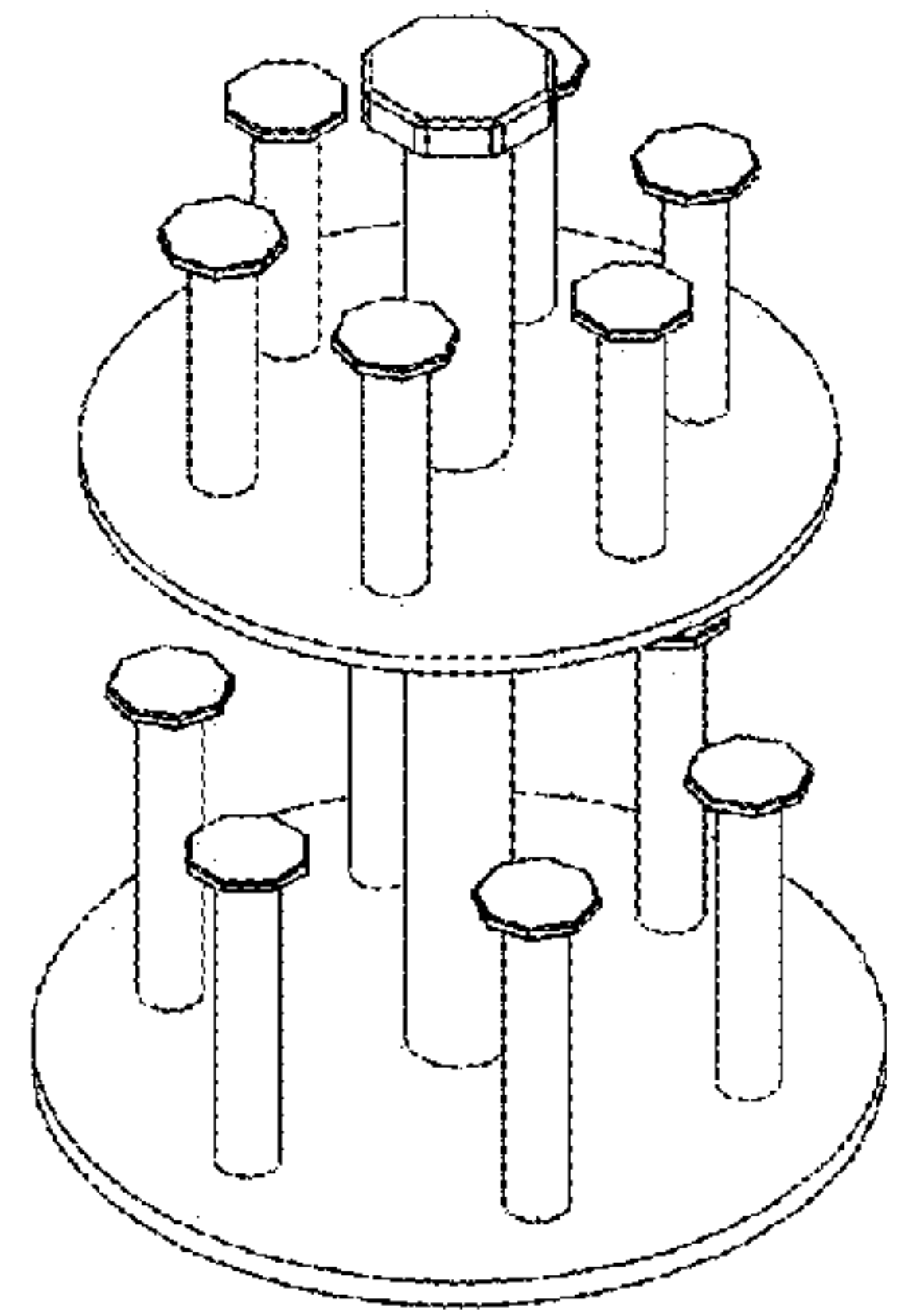


FIG. 6

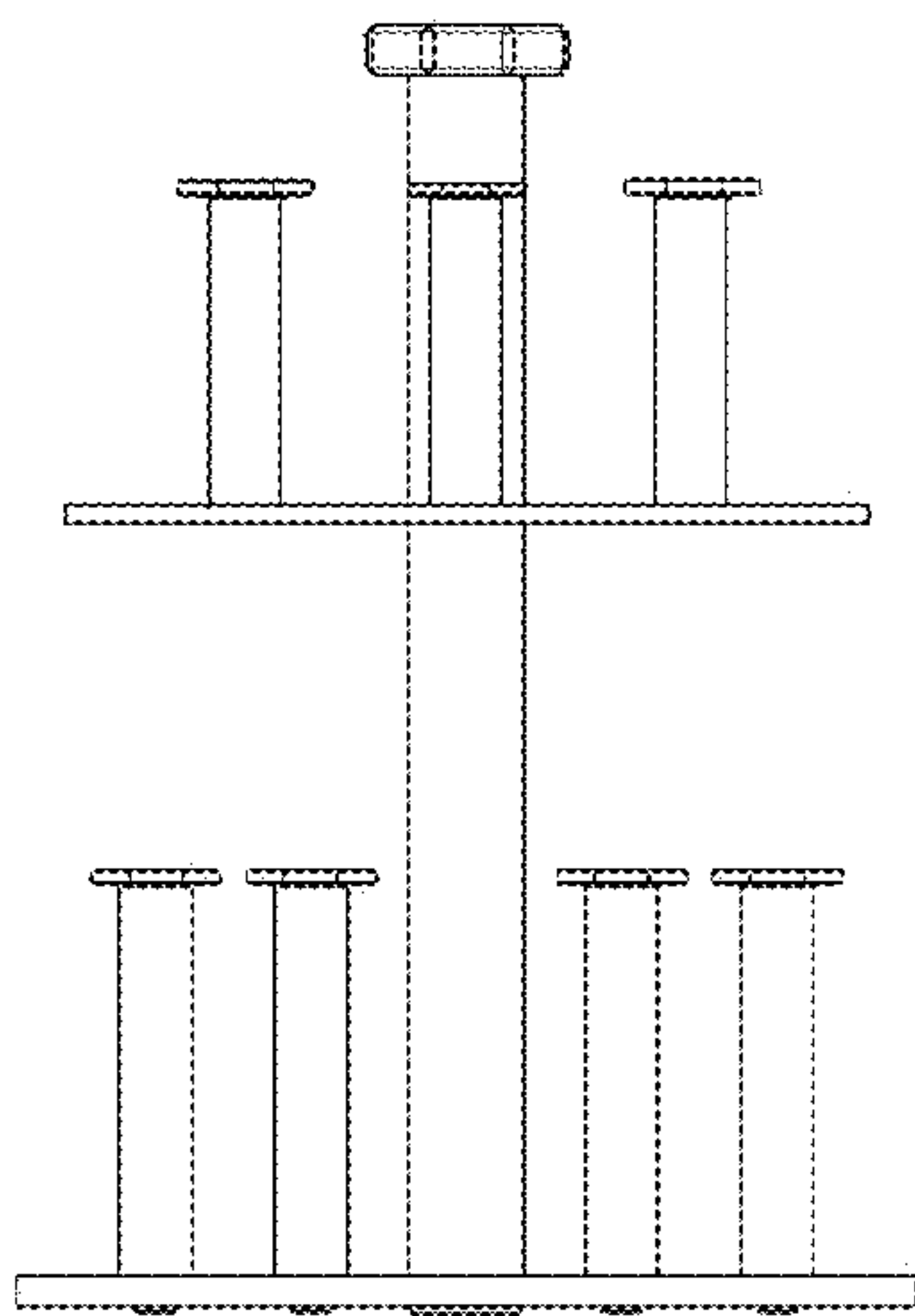


FIG. 7

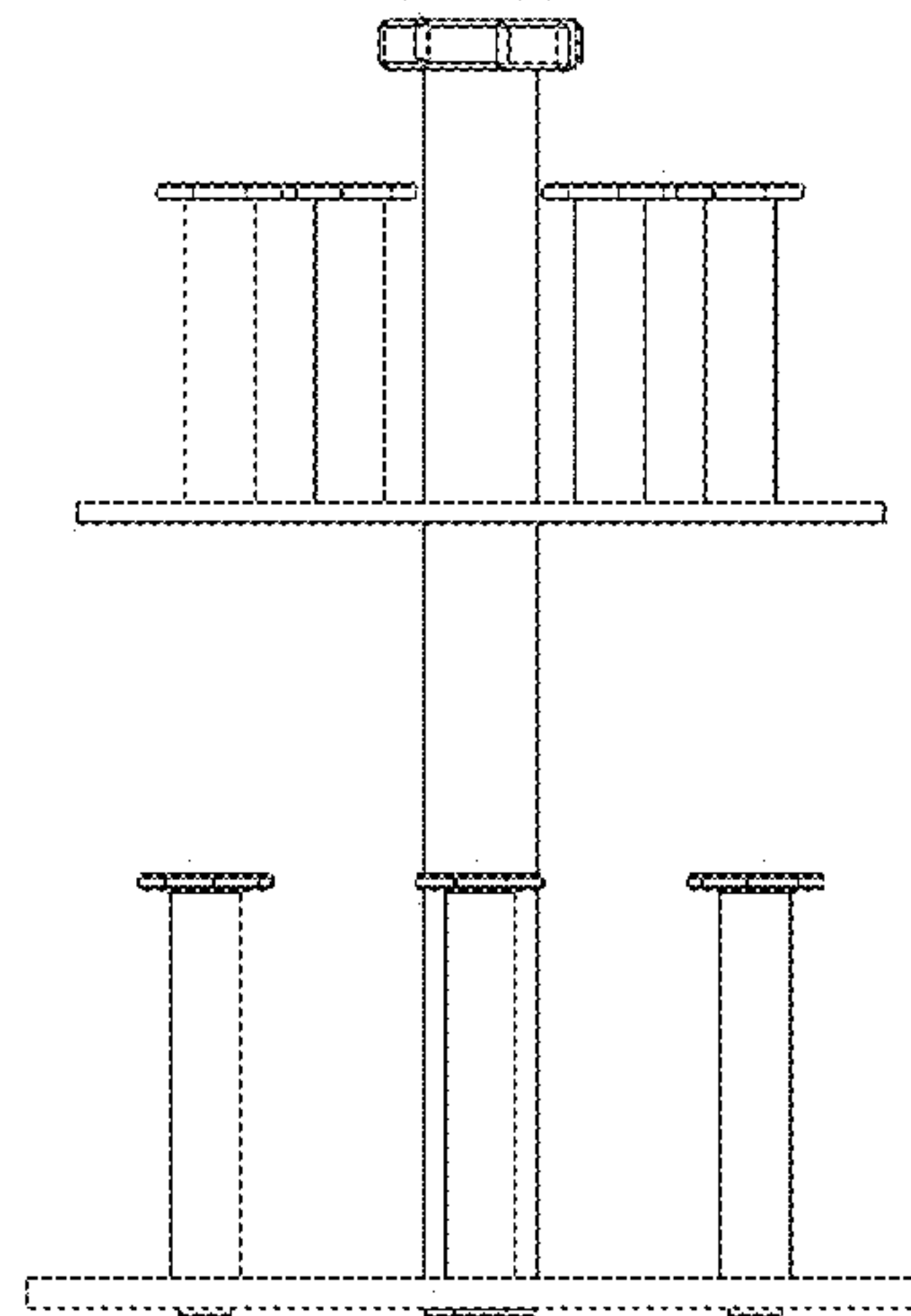


FIG. 8

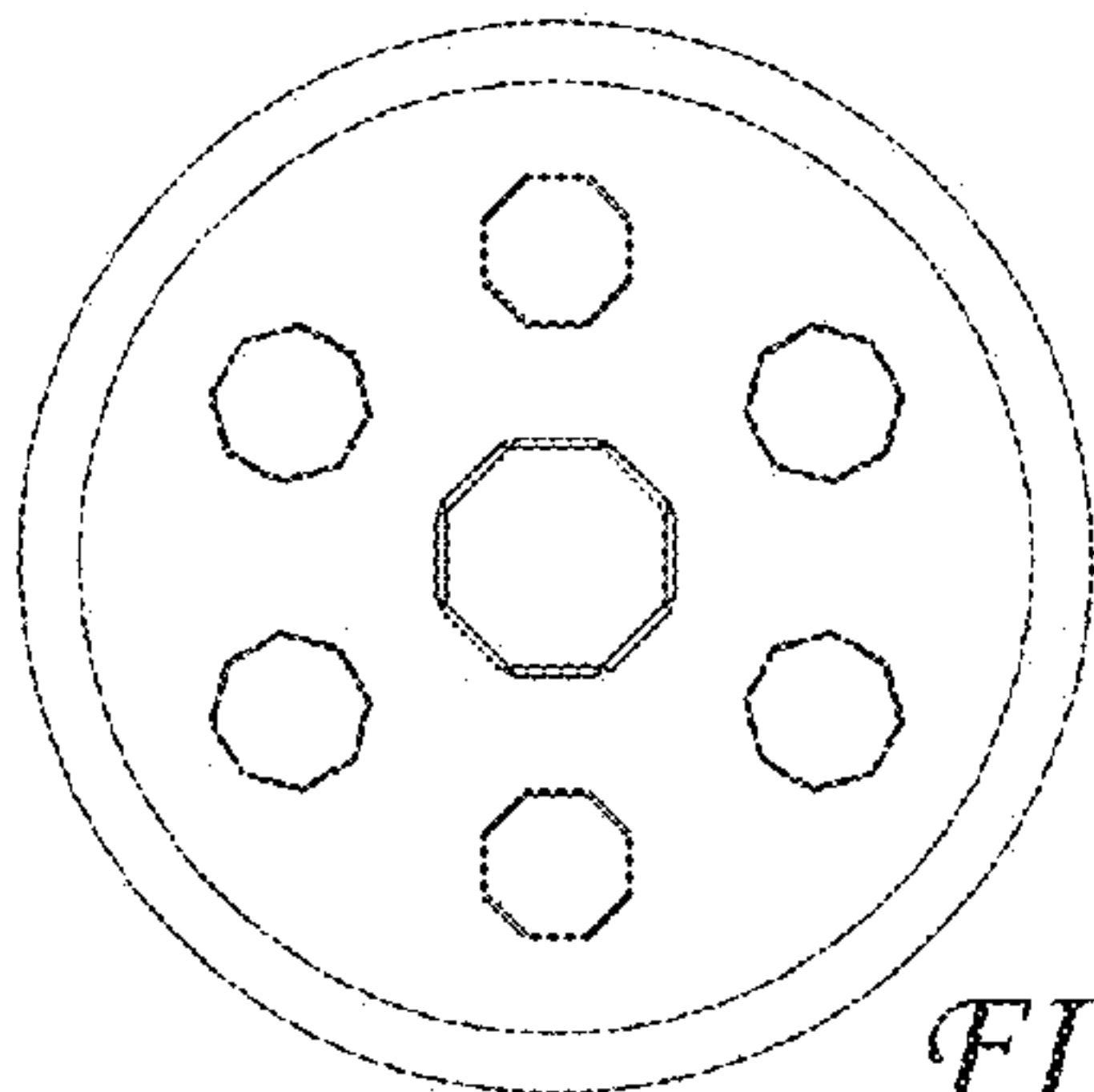


FIG. 9

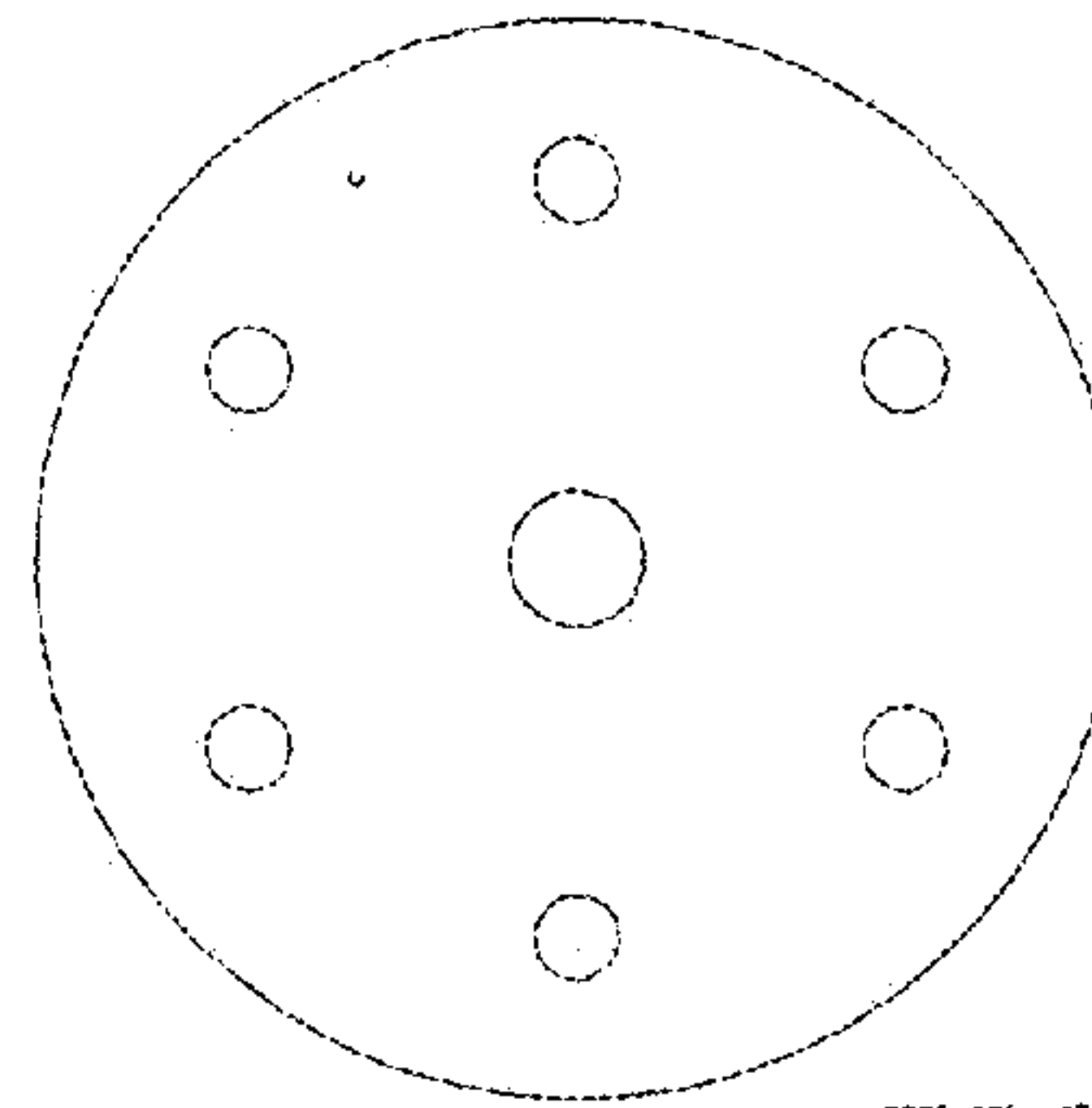


FIG. 10