



US00D680392S

(12) **United States Design Patent**  
**Dichraff et al.**

(10) **Patent No.:** **US D680,392 S**  
(45) **Date of Patent:** **\*\* Apr. 23, 2013**

(54) **FOOD CUTTER**

(75) Inventors: **Aric Dichraff**, Madison, WI (US); **Craig Stevenson**, Saukville, WI (US); **Charles Choi**, Chicago, IL (US); **Mark Pavel**, Lisle, IL (US)

(73) Assignee: **Hy Cite Enterprises LLC**, Madison, WI (US)

(\*\*) Term: **14 Years**

(21) Appl. No.: **29/422,079**

(22) Filed: **May 16, 2012**

(51) **LOC (9) Cl.** ..... **07-04**

(52) **U.S. Cl.**

USPC ..... **D7/693**; D7/381

(58) **Field of Classification Search** ..... D7/693, D7/672, 673, 381-385, 412, 414, 372, 373, D7/678; 366/64-67, 98, 197-221, 241-254, 366/279-292, 341-343; 99/501-511, 337, 99/645; 241/168, 169.1, 273.1-273.4, 162, 241/164, 272, 285.1, 285.2, 100, 159, 270, 241/92, 93, 95, 30-37.5

See application file for complete search history.

(56) **References Cited**

**U.S. PATENT DOCUMENTS**

2,145,421	A	1/1939	Jungbecker	
3,376,910	A	4/1968	Popeil	
3,527,277	A	9/1970	Woods	
3,610,304	A *	10/1971	Popeil et al.	241/92
4,081,145	A	3/1978	Moe et al.	
4,213,570	A	7/1980	Jones	
4,227,656	A *	10/1980	Engbretsen	241/93
D260,129	S *	8/1981	Shun	D7/678
D260,351	S *	8/1981	Shun	D7/372
D261,472	S *	10/1981	Graham et al.	D7/383

D276,202	S *	11/1984	Shun	D7/678
5,289,760	A	3/1994	Barradas	
5,970,860	A	10/1999	Yip	
D507,455	S *	7/2005	Bertulis	D7/376
D543,774	S *	6/2007	Rohrer	D7/381
7,337,997	B2 *	3/2008	Ko	241/93
7,520,453	B2	4/2009	Clapp et al.	
7,568,646	B2	8/2009	Lin	
7,637,445	B2	12/2009	So et al.	
D610,397	S *	2/2010	Rohrer	D7/381
D614,458	S	4/2010	Chan	
D615,373	S	5/2010	Chan	
D619,848	S	7/2010	Rohrer	

**OTHER PUBLICATIONS**

United States Patent Office Notice of Allowance for U.S. Appl. No. 29/422,075 dated Dec. 10, 2012 (7 pages).

(Continued)

*Primary Examiner* — Terry Wallace

(74) *Attorney, Agent, or Firm* — Michael Best & Friedrich LLP

(57)

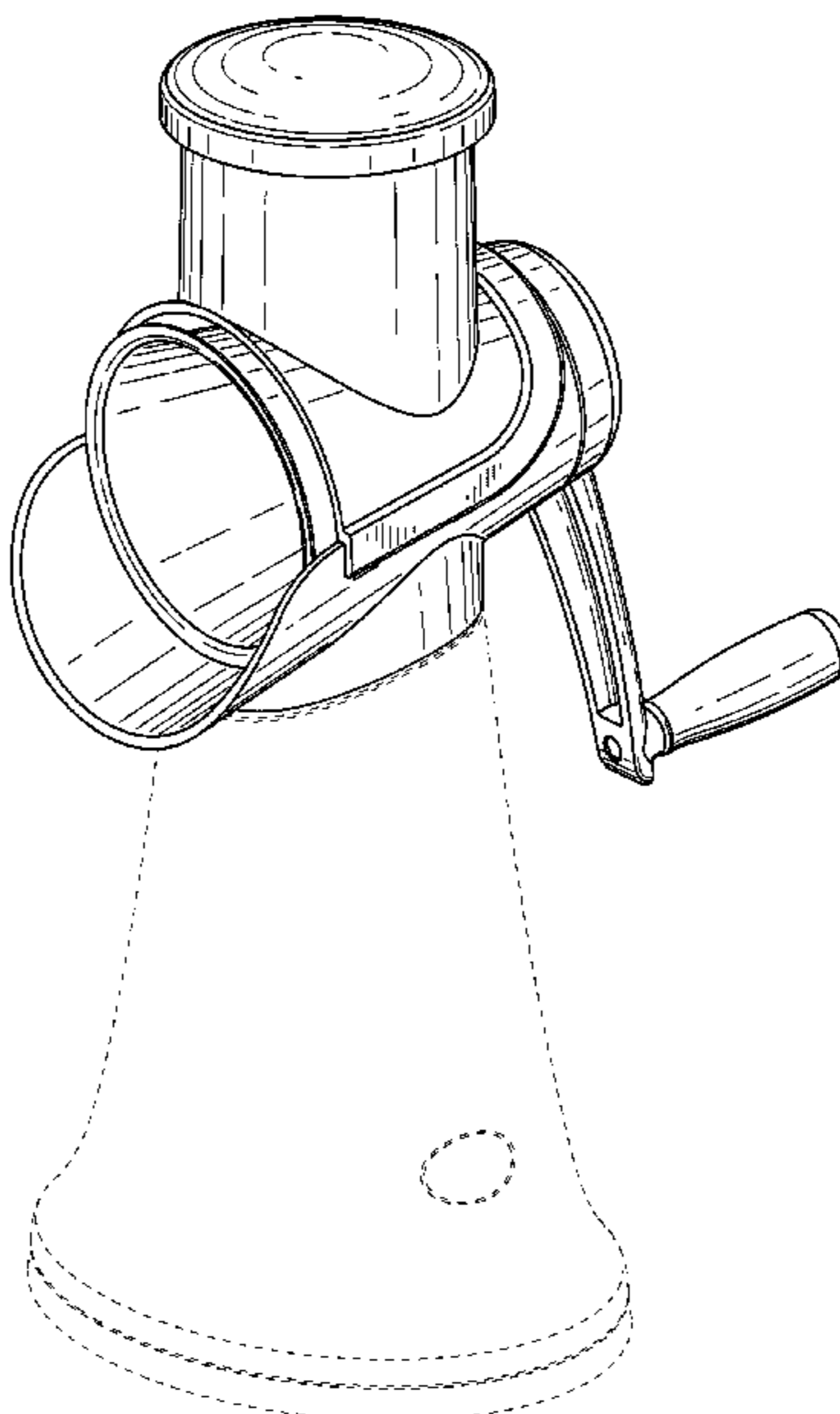
**CLAIM**

The ornamental design for a food cutter, as shown and described.

**DESCRIPTION**

FIG. 1 is a perspective view of the food cutter.  
FIG. 2 is a side view of the food cutter shown in FIG. 1.  
FIG. 3 is another side view of the food cutter shown in FIG. 1.  
FIG. 4 is front view of the food cutter of FIG. 1.  
FIG. 5 is a rear view of the food cutter of FIG. 1.  
FIG. 6 is a top view of the food cutter of FIG. 1; and,  
FIG. 7 is bottom view of the food cutter of FIG. 1.  
The broken line portions of the disclosure are for illustrative purposes only and form no part of the claimed design.

**1 Claim, 6 Drawing Sheets**



# US D680,392 S

Page 2

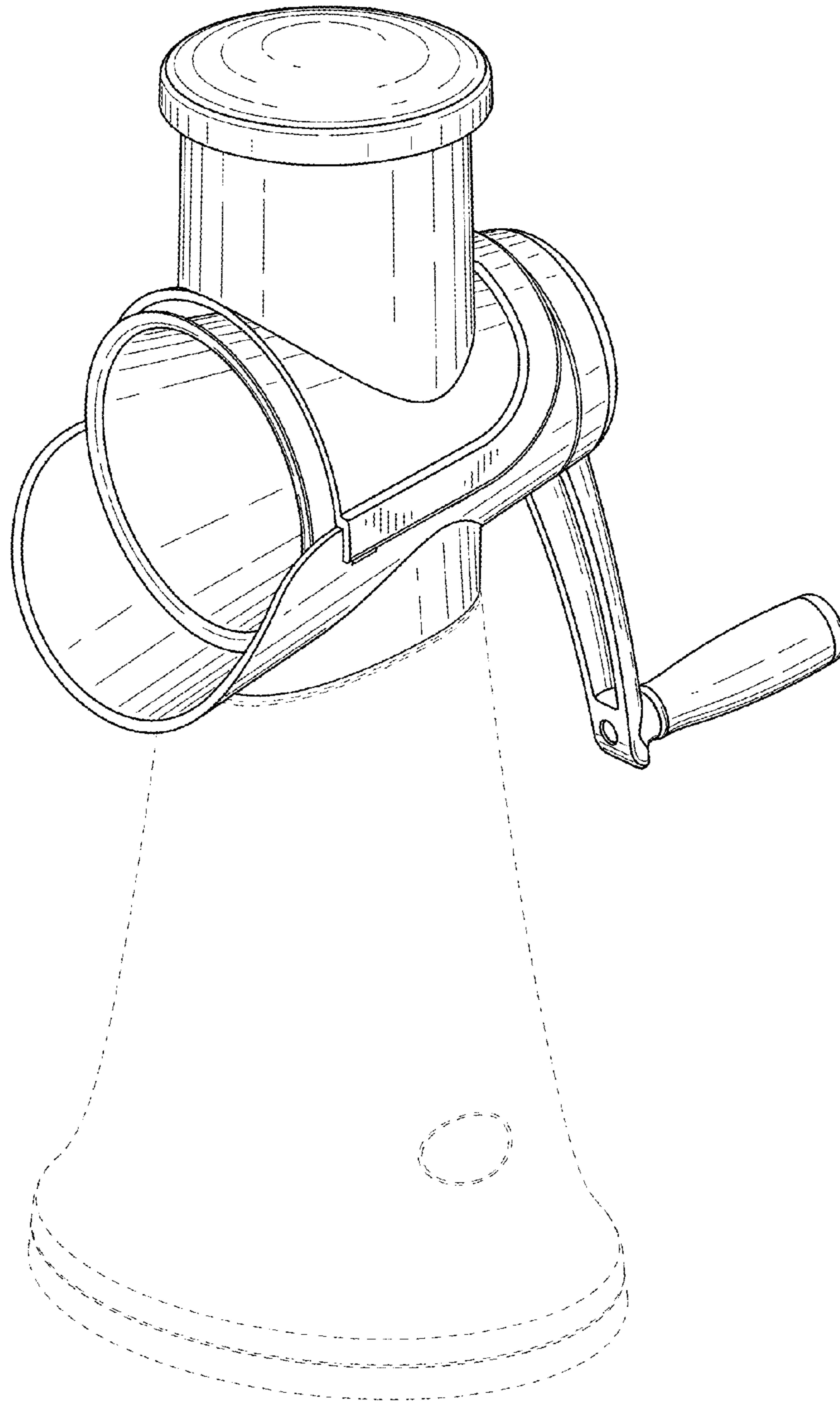
---

## OTHER PUBLICATIONS

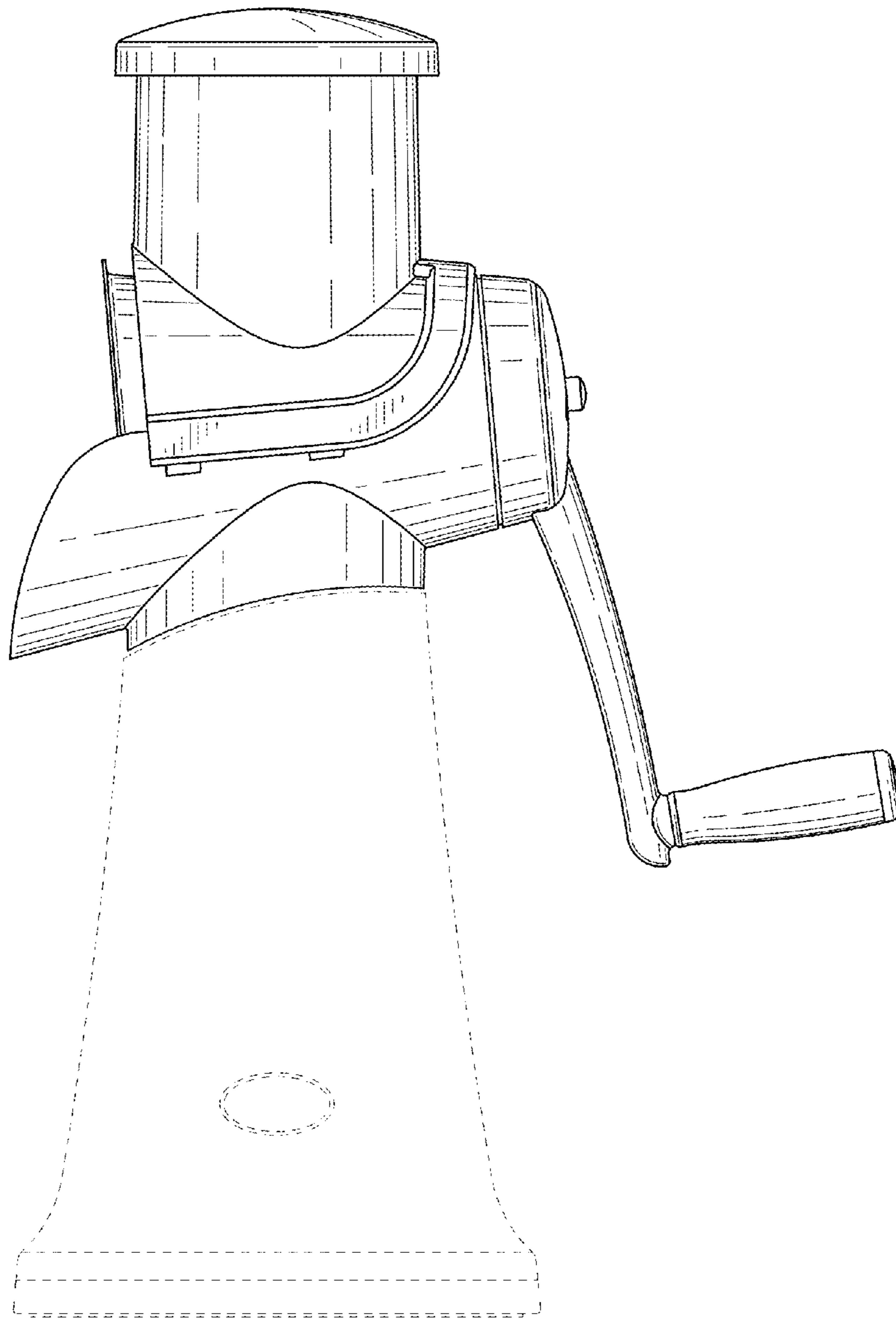
United States Patent Office Notice of Allowance for U.S. Appl. No.  
29/422,078 dated Dec. 10, 2012 (7 pages).

United States Patent Office Notice of Allowance for U.S. Appl. No.  
29/422,082 dated Jan. 14, 2013 (7 pages).

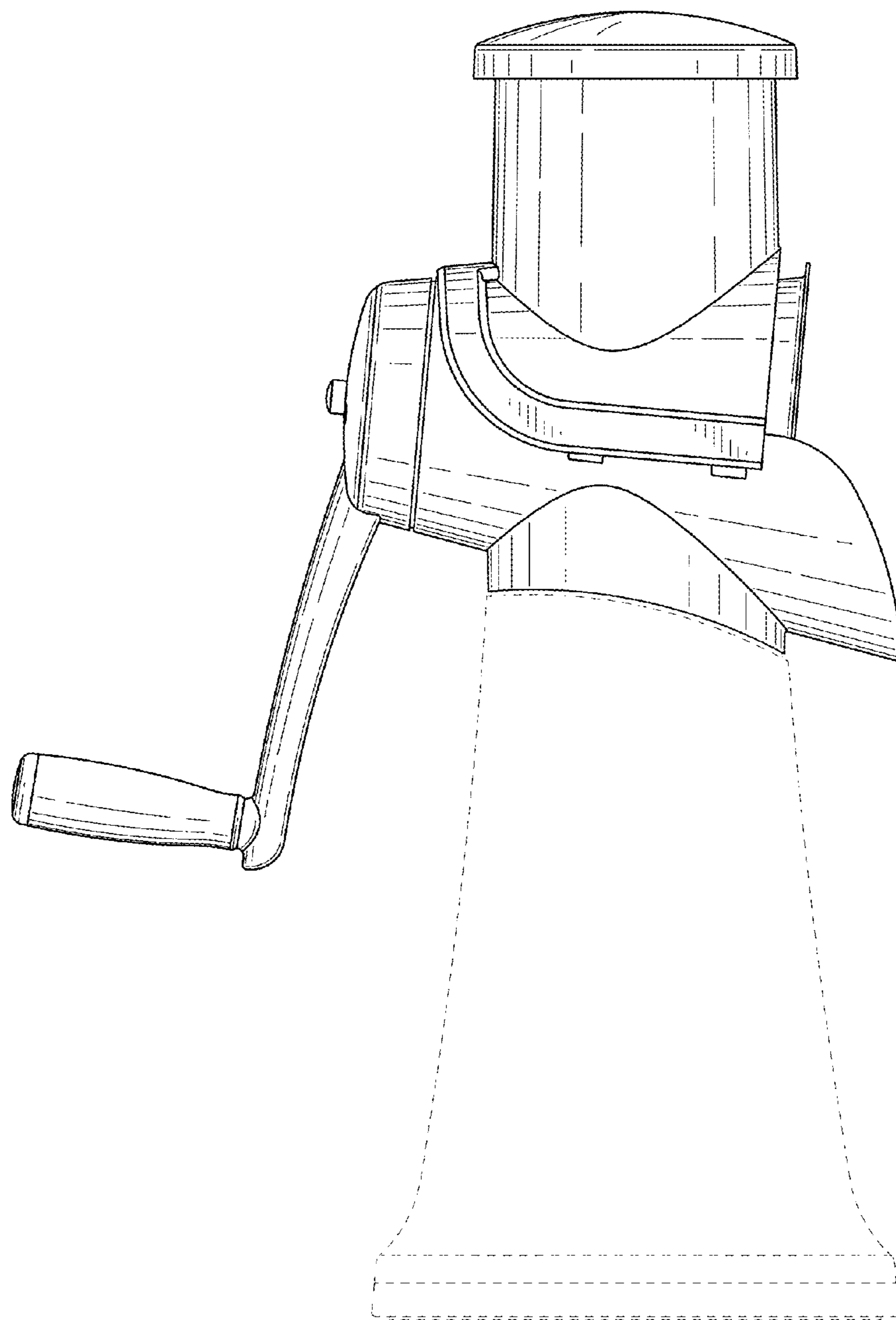
\* cited by examiner



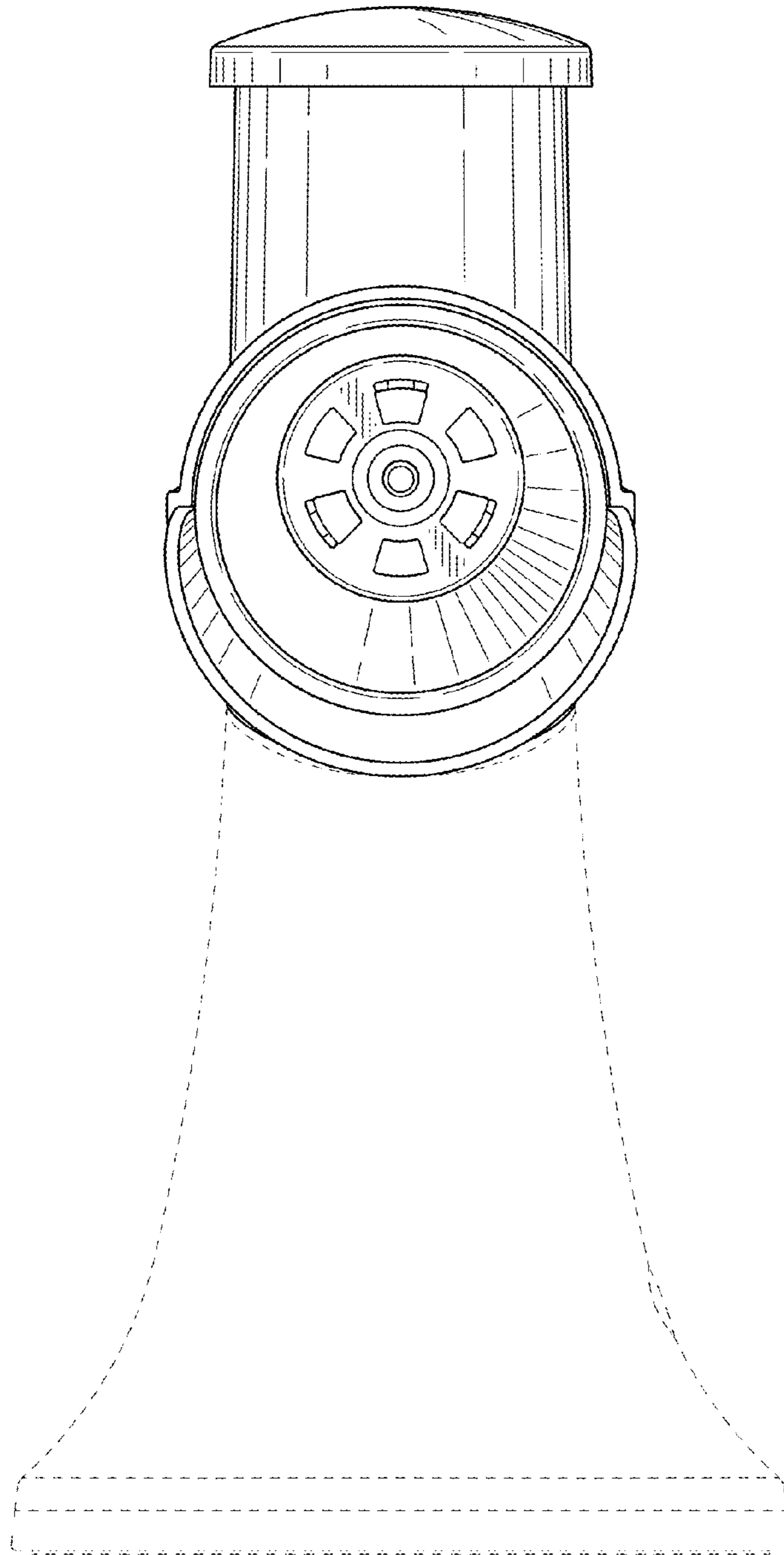
**FIG. 1**



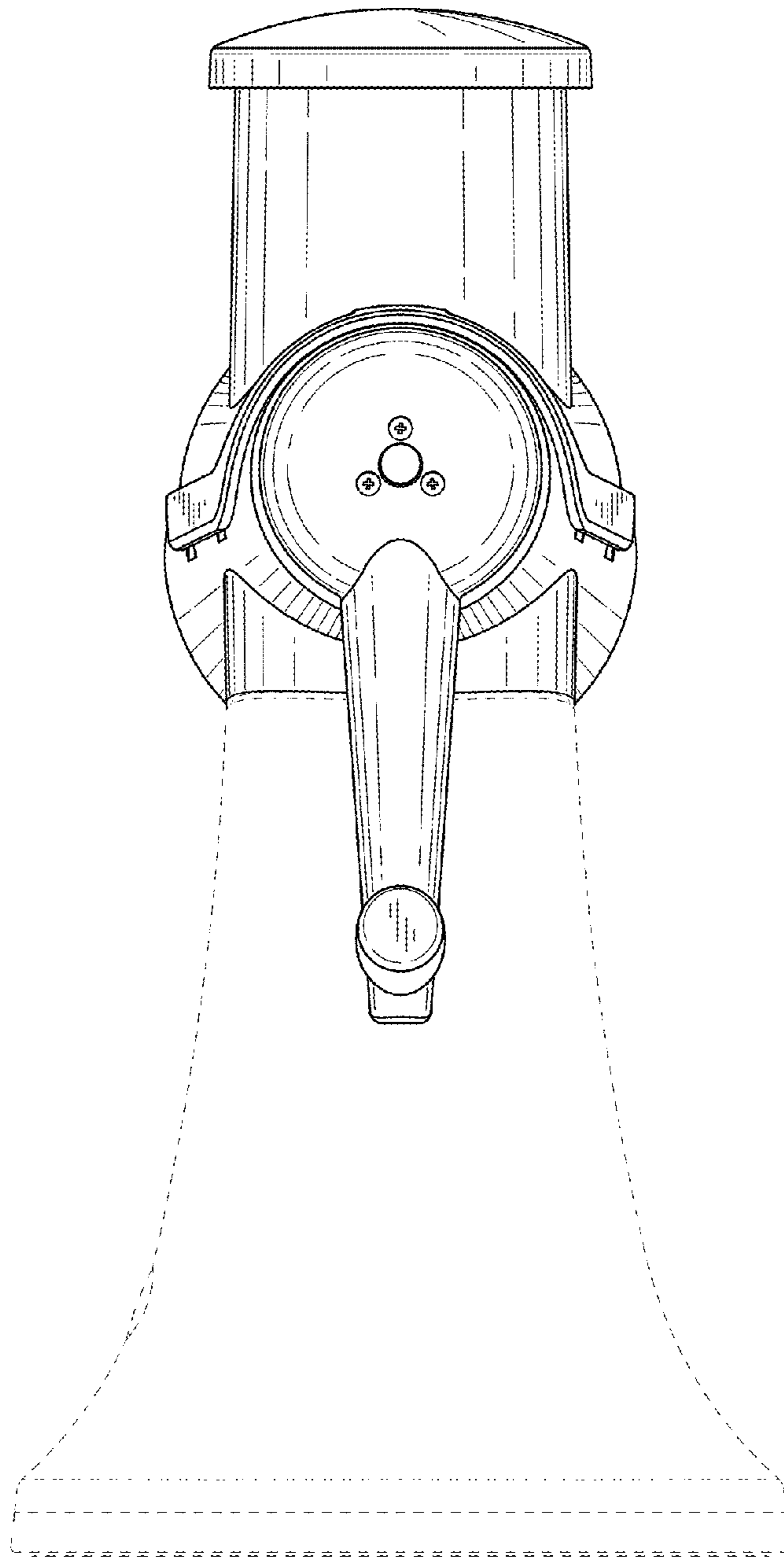
**FIG. 2**



**FIG. 3**



**FIG. 4**



**FIG. 5**

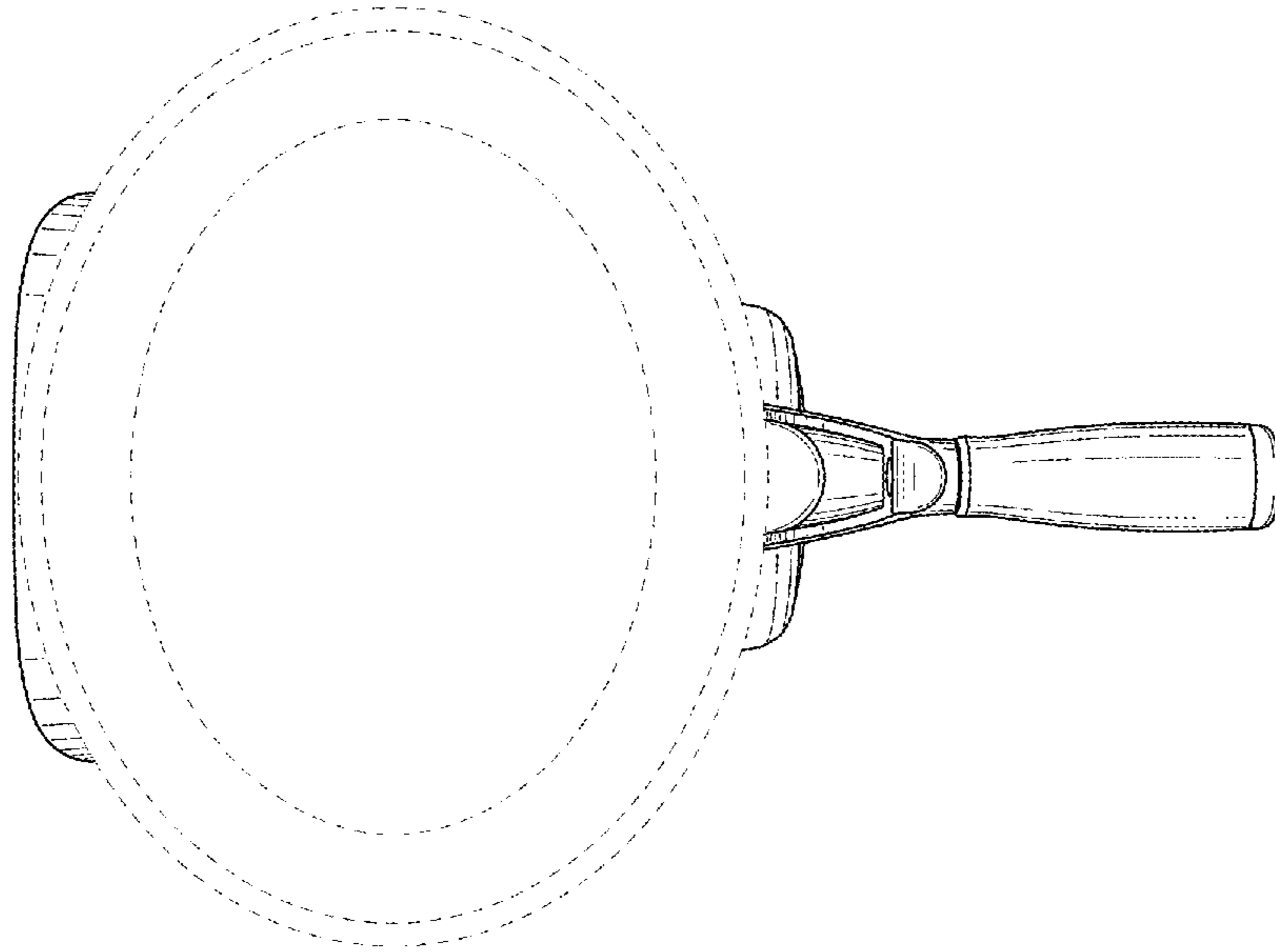


FIG. 7

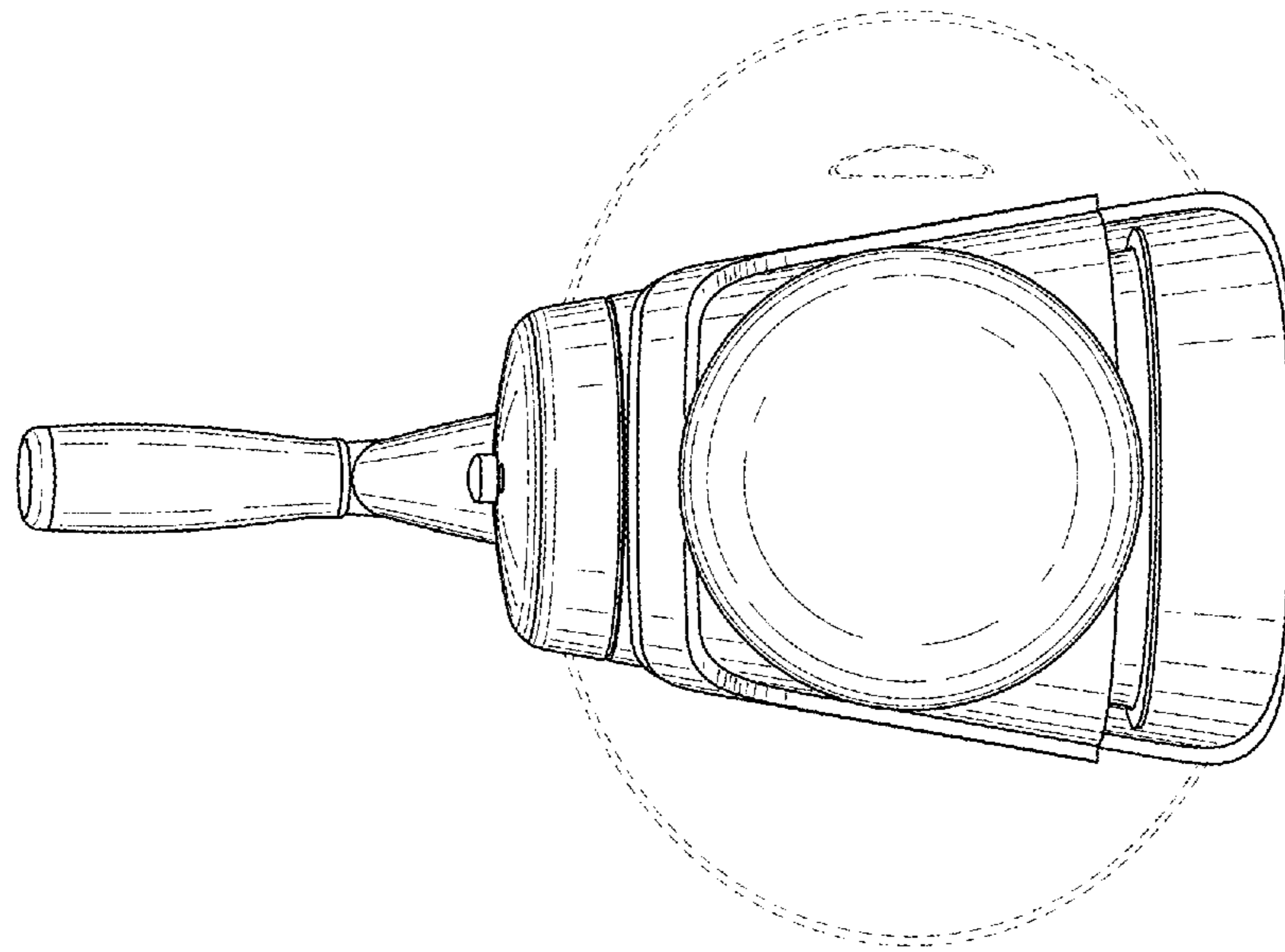


FIG. 6