



US00D680391S

(12) **United States Design Patent**  
**Dichraff et al.**

(10) **Patent No.:** **US D680,391 S**  
(45) **Date of Patent:** **\*\* Apr. 23, 2013**

(54) **FOOD CUTTER HANDLE**  
(75) Inventors: **Aric Dichraff**, Madison, WI (US); **Craig Stevenson**, Saukville, WI (US); **Charles Choi**, Chicago, IL (US); **Mark Pavel**, Lisle, IL (US)

5,289,760 A 3/1994 Barradas  
5,970,860 A 10/1999 Yip  
D507,455 S \* 7/2005 Bertulis ..... D7/376  
D543,774 S \* 6/2007 Rohrer ..... D7/381  
7,337,997 B2 \* 3/2008 Ko ..... 241/93  
7,520,453 B2 4/2009 Clapp et al.  
7,568,646 B2 8/2009 Lin

(73) Assignee: **Hy Cite Enterprises LLC**, Madison, WI (US)

(Continued)

(\*\*) Term: **14 Years**

(21) Appl. No.: **29/422,078**

OTHER PUBLICATIONS  
United States Patent Office Notice of Allowance for U.S. Appl. No. 29/422,075 dated Dec. 10, 2012 (7 pages).  
United States Patent Office Notice of Allowance for U.S. Appl. No. 29/422,079 dated Dec. 17, 2012 (7 pages).

(22) Filed: **May 16, 2012**

(Continued)

(51) **LOC (9) Cl.** ..... **07-04**

(52) **U.S. Cl.**  
USPC ..... **D7/693; D7/381**

*Primary Examiner* — Terry Wallace  
(74) *Attorney, Agent, or Firm* — Michael Best & Friedrich LLP

(58) **Field of Classification Search** ..... D7/693,  
D7/672, 673, 381–385, 412, 414, 372, 373,  
D7/678; 366/64–67, 98, 197–221, 241–254,  
366/279–292, 341–343; 99/501–511, 337,  
99/645; 241/168, 169.1, 273.1–273.4, 162,  
241/164, 272, 285.1, 285.2, 100, 159, 270,  
241/92, 93, 95, 30–37.5

(57) **CLAIM**  
The ornamental design for a food cutter handle, as shown and described.

See application file for complete search history.

**DESCRIPTION**

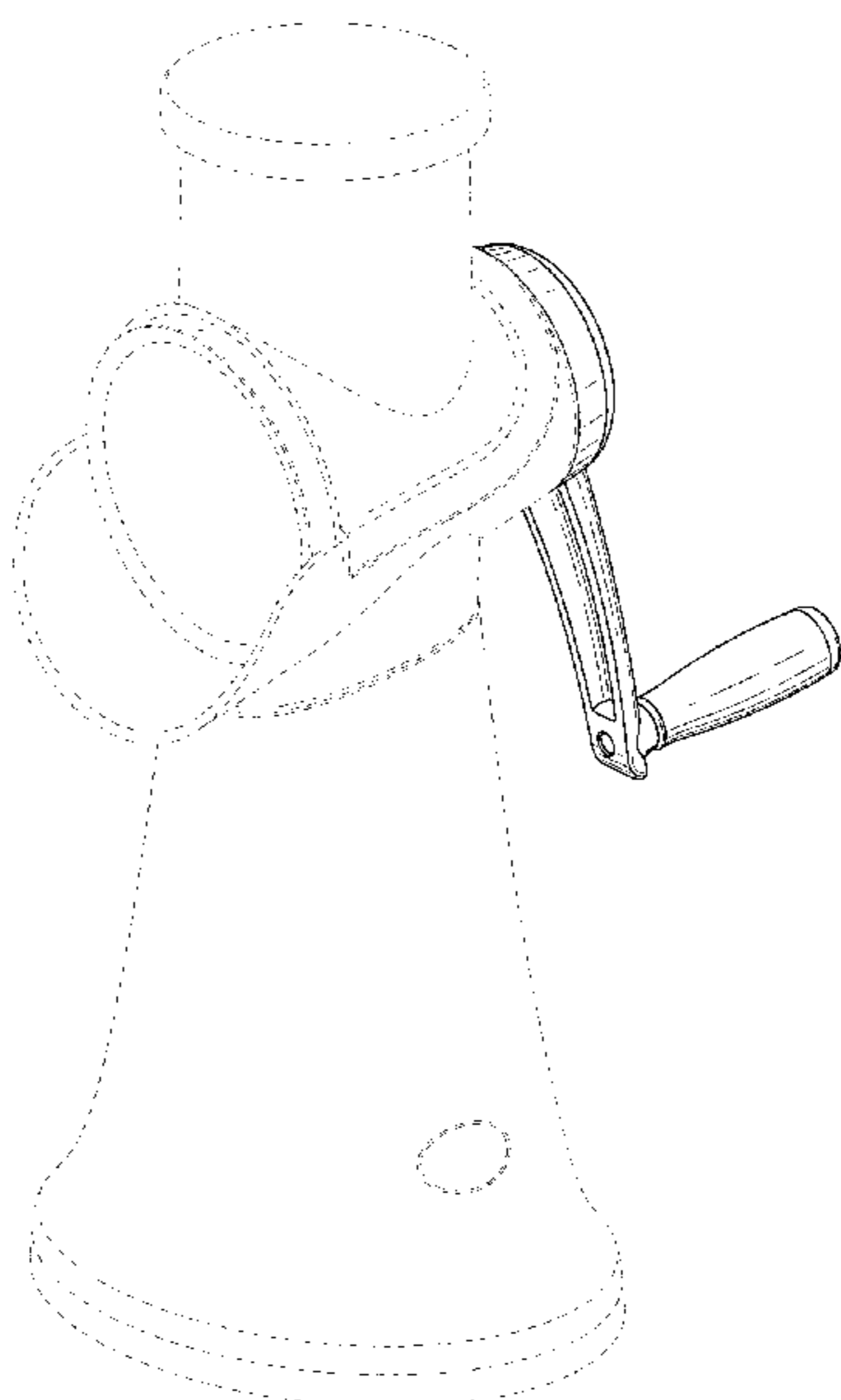
(56) **References Cited**

**U.S. PATENT DOCUMENTS**

2,145,421 A 1/1939 Jungbecker  
3,376,910 A 4/1968 Popeil  
3,527,277 A 9/1970 Woods  
3,610,304 A \* 10/1971 Popeil et al. .... 241/92  
4,081,145 A 3/1978 Moe et al.  
4,213,570 A 7/1980 Jones  
4,227,656 A \* 10/1980 Engebretsen ..... 241/93  
D260,129 S \* 8/1981 Shun ..... D7/678  
D260,351 S \* 8/1981 Shun ..... D7/372  
D261,472 S \* 10/1981 Graham et al. .... D7/383  
D276,202 S \* 11/1984 Shun ..... D7/678

FIG. 1 is a perspective view of the food cutter handle.  
FIG. 2 is a side view of the food cutter handle shown in FIG. 1.  
FIG. 3 is another side view of the food cutter handle shown in FIG. 1.  
FIG. 4 is front view of the food cutter handle of FIG. 1.  
FIG. 5 is a rear view of the food cutter handle of FIG. 1.  
FIG. 6 is a top view of the food cutter handle of FIG. 1; and, FIG. 7 is bottom view of the food cutter handle of FIG. 1.  
The present application is directed to the design illustrated in the drawings. The broken line portions of the disclosure are for illustrative purposes only and form no part of the claimed design.

**1 Claim, 6 Drawing Sheets**



# US D680,391 S

Page 2

---

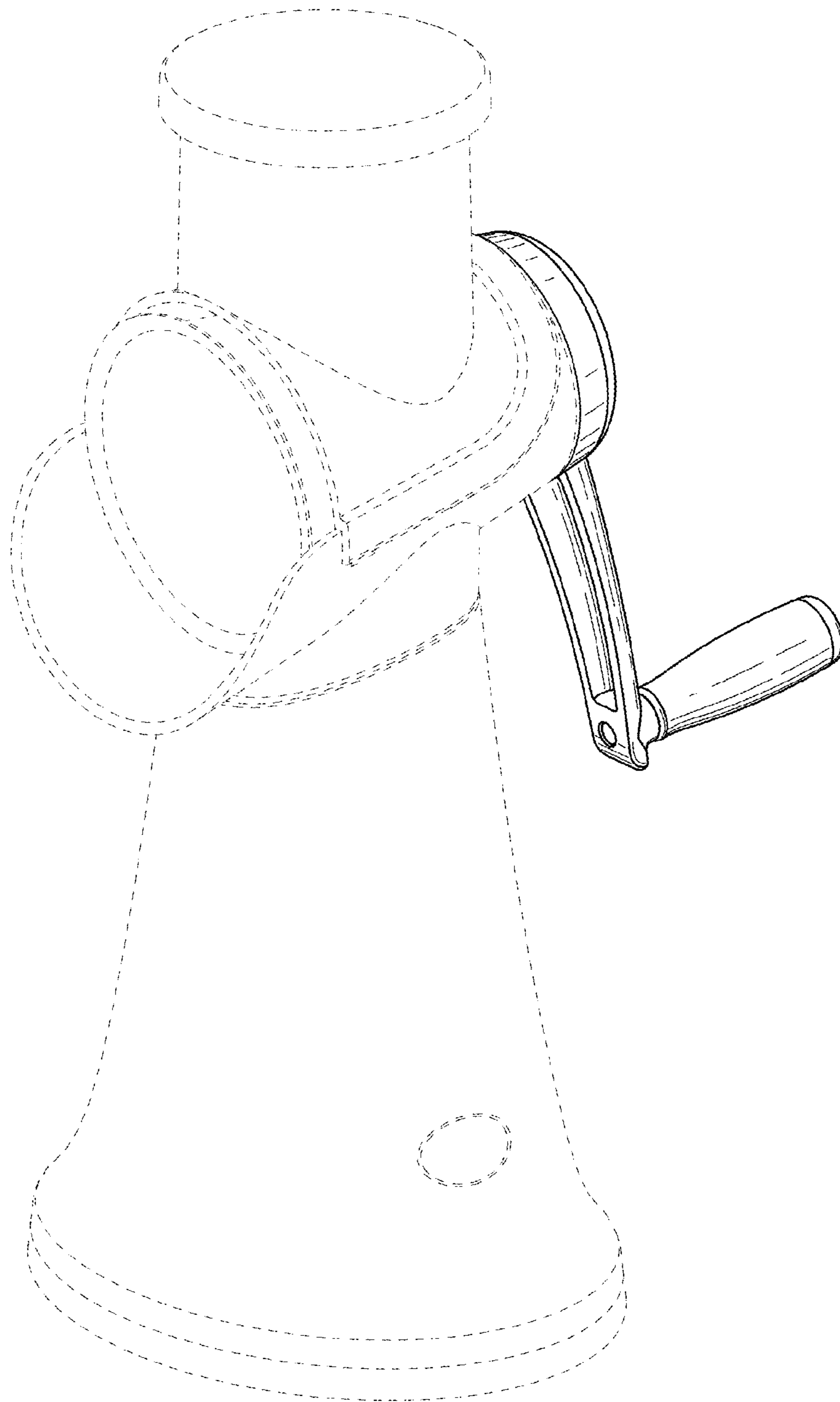
## U.S. PATENT DOCUMENTS

7,637,445 B2 12/2009 So et al.  
D610,397 S \* 2/2010 Rohrer ..... D7/381  
D614,458 S 4/2010 Chan  
D615,373 S 5/2010 Chan  
D619,848 S 7/2010 Rohrer

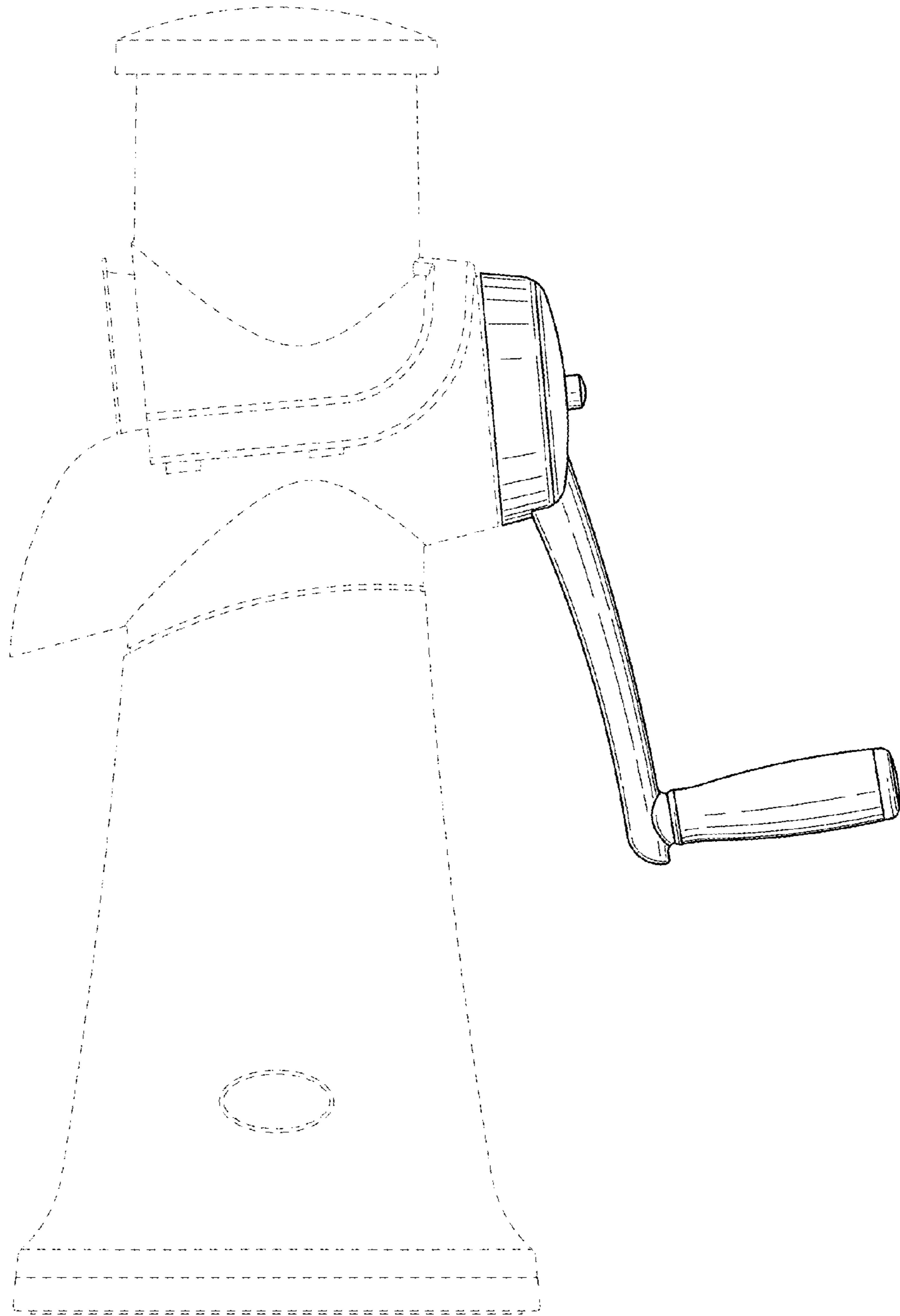
## OTHER PUBLICATIONS

United States Patent Office Notice of Allowance for U.S. Appl. No.  
29/422,082 dated Jan. 14, 2013 (7 pages).

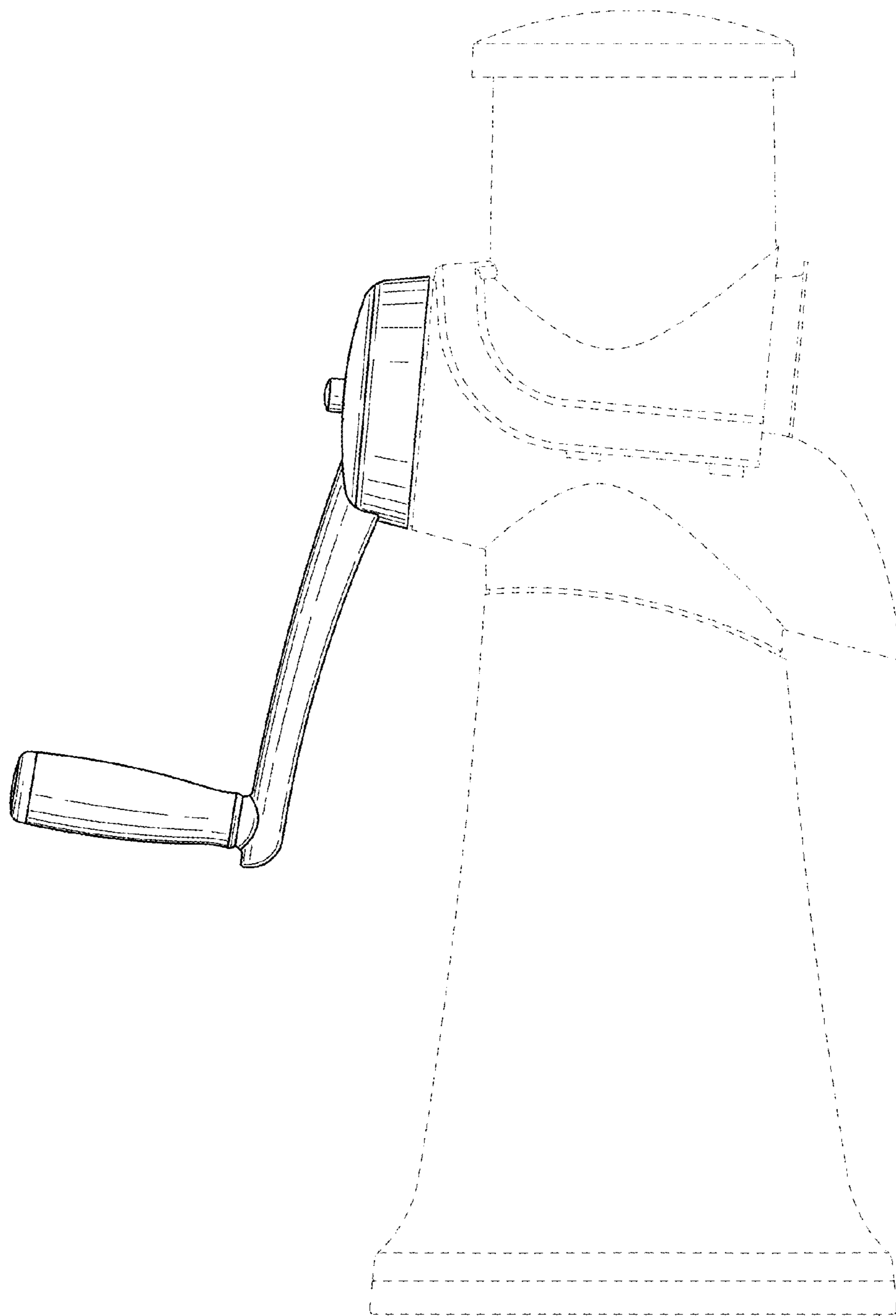
\* cited by examiner



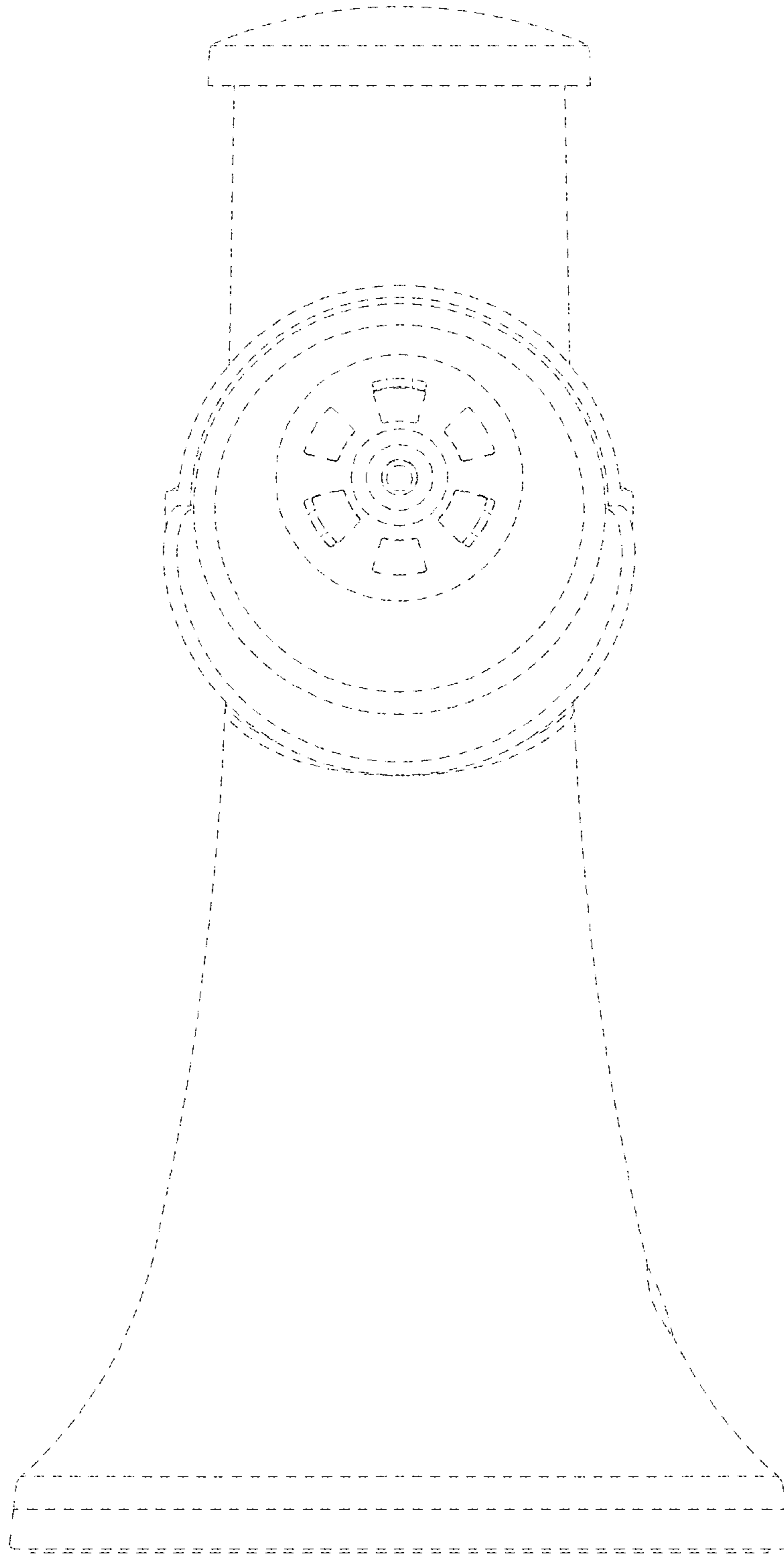
**FIG. 1**



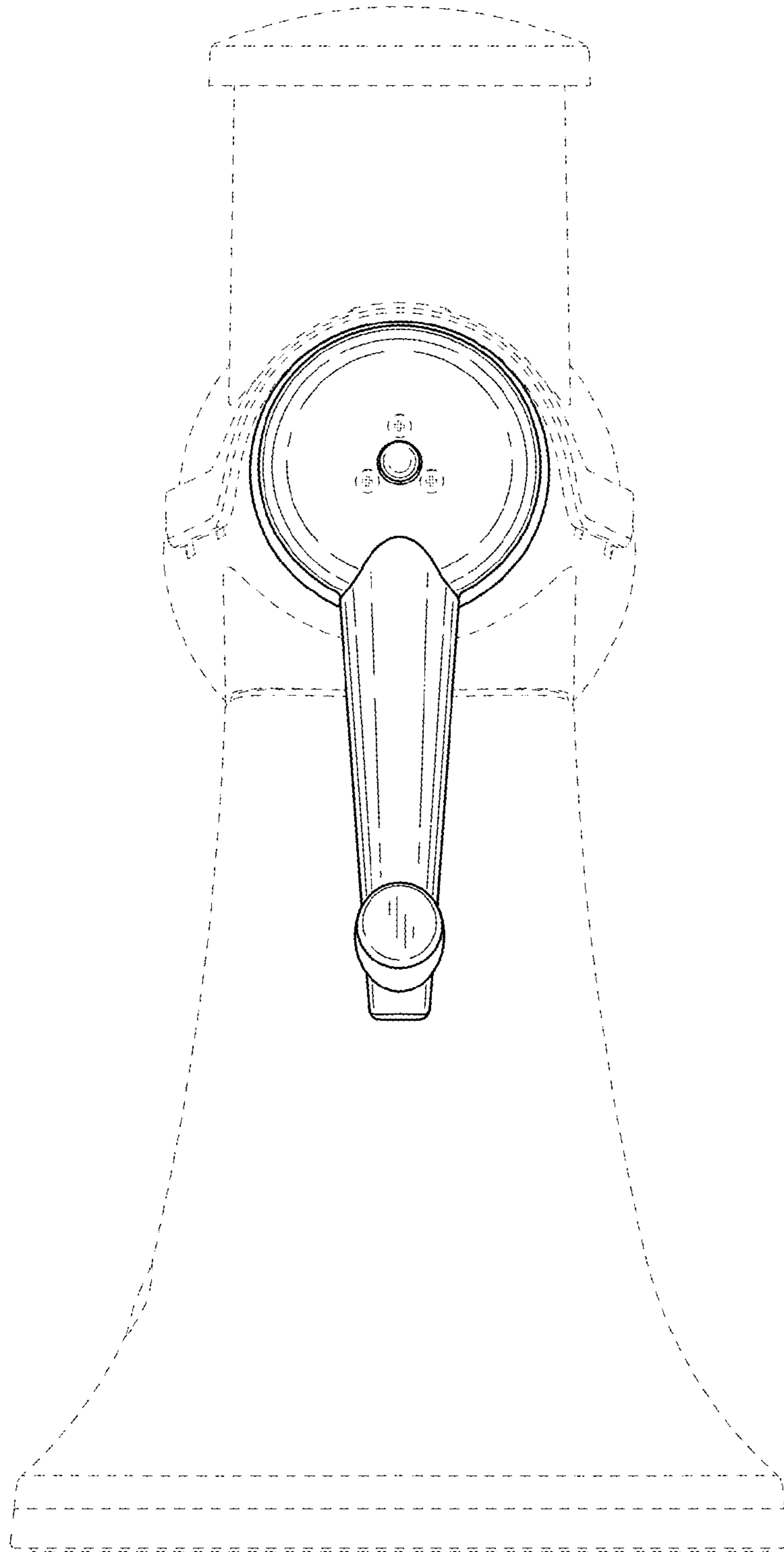
**FIG. 2**



**FIG. 3**



**FIG. 4**



**FIG. 5**

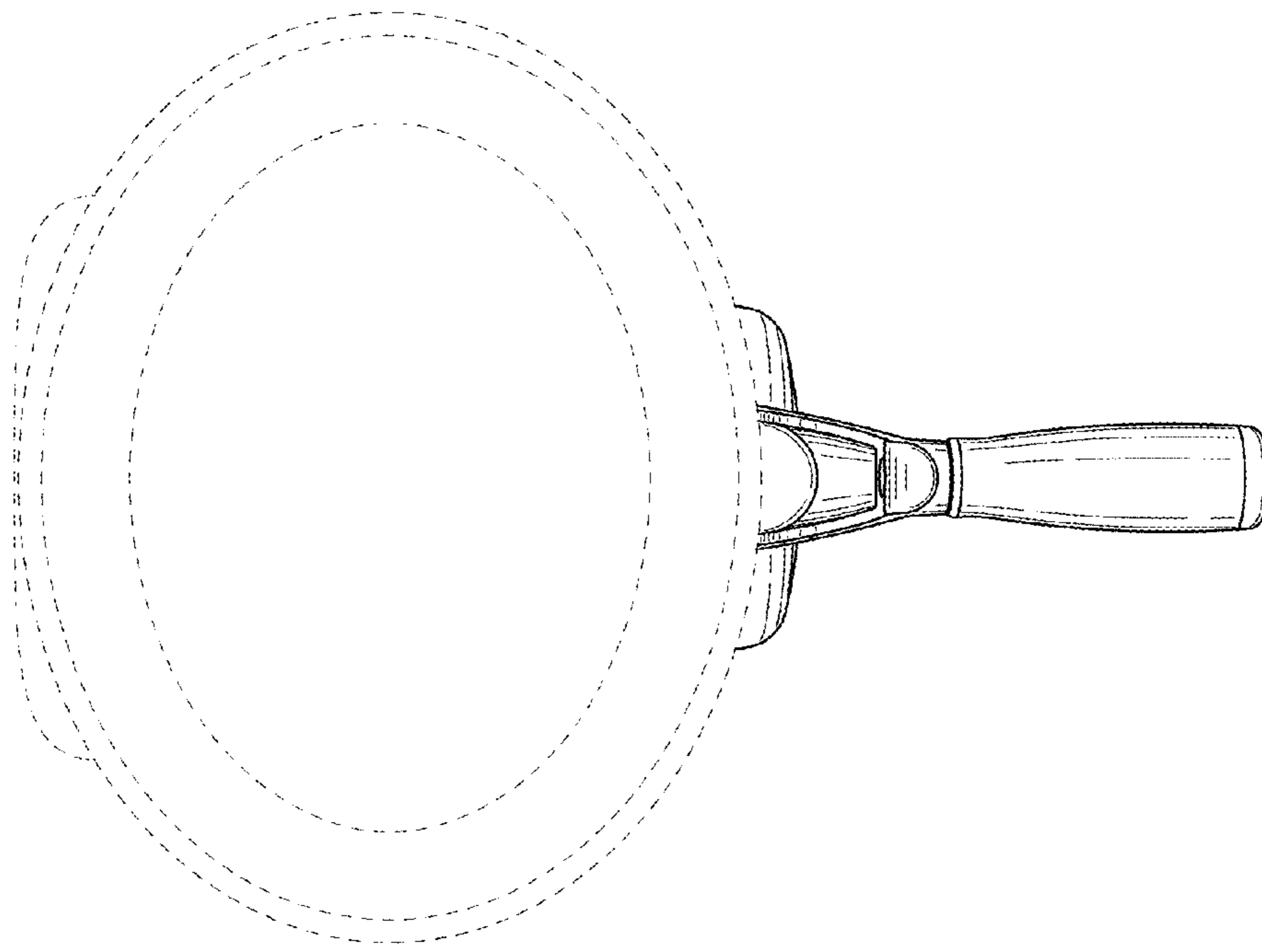


FIG. 7

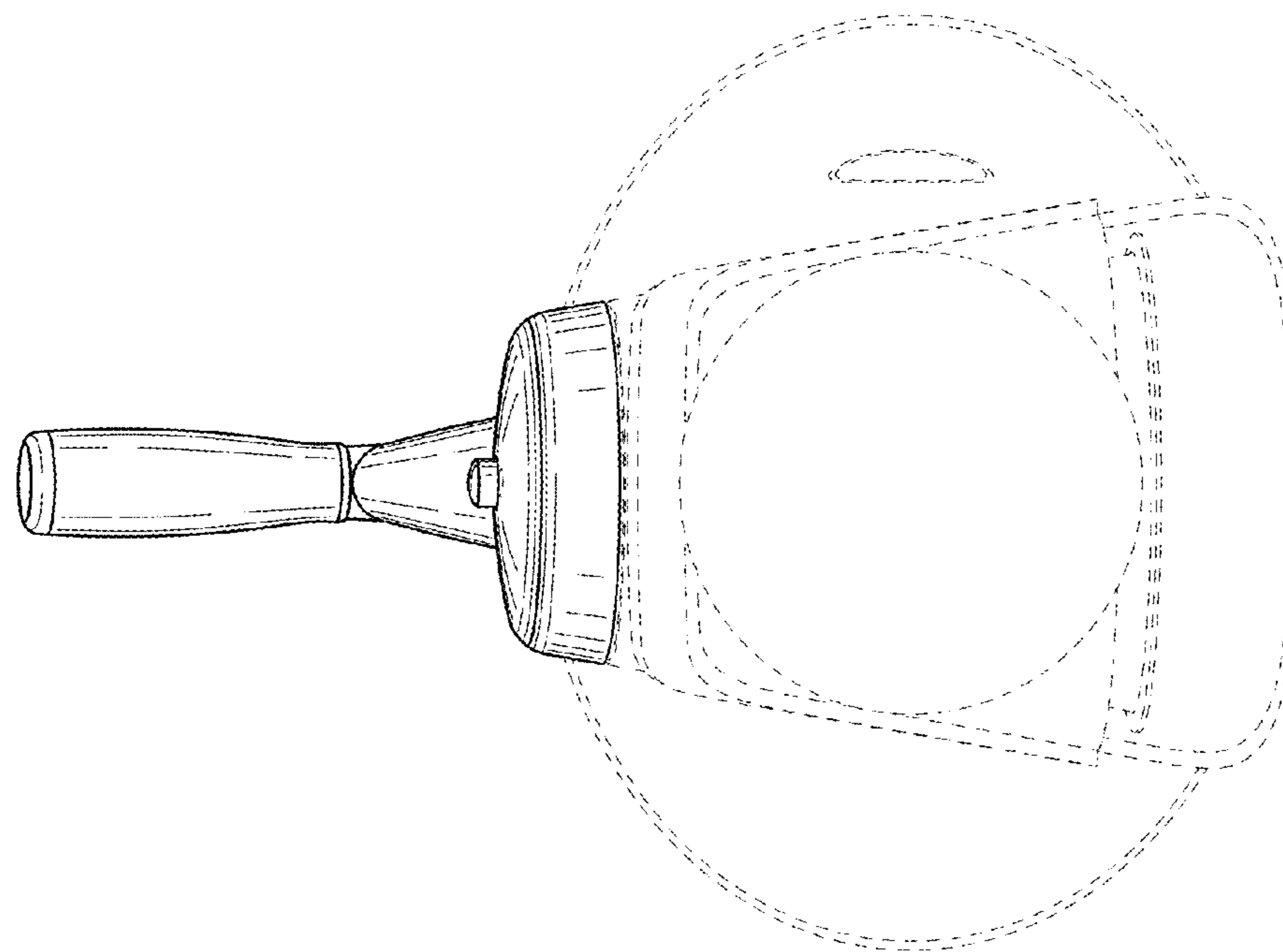


FIG. 6