



US00D680390S

(12) **United States Design Patent**
Dichraff et al.

(10) **Patent No.:** **US D680,390 S**

(45) **Date of Patent:** **** Apr. 23, 2013**

(54) **FOOD CUTTER**

(75) Inventors: **Aric Dichraff**, Madison, WI (US); **Craig Stevenson**, Saukville, WI (US); **Charles Choi**, Chicago, IL (US); **Mark Pavel**, Lisle, IL (US)

(73) Assignee: **Hy Cite Enterprises LLC**, Madison, WI (US)

(**) Term: **14 Years**

(21) Appl. No.: **29/422,075**

(22) Filed: **May 16, 2012**

(51) **LOC (9) Cl.** **07-04**

(52) **U.S. Cl.**
USPC **D7/693; D7/381**

(58) **Field of Classification Search** D7/693,
D7/672, 673, 381-385, 412, 414, 372, 373,
D7/678; 366/64-67, 98, 197-221, 241-254,
366/279-292, 341-343; 99/501-511, 337,
99/645; 241/168, 169.1, 273.1-273.4, 162,
241/164, 272, 285.1, 285.2, 100, 159, 270,
241/92, 93, 95, 30-37.5
See application file for complete search history.

(56) **References Cited**

U.S. PATENT DOCUMENTS

2,145,421	A	1/1939	Jungbecker	
3,376,910	A	4/1968	Popeil	
3,527,277	A	9/1970	Woods	
3,610,304	A *	10/1971	Popeil et al.	241/92
4,081,145	A	3/1978	Moe et al.	
4,213,570	A	7/1980	Jones	
4,227,656	A *	10/1980	Engbretsen	241/93
D260,129	S *	8/1981	Shun	D7/678

D260,351	S *	8/1981	Shun	D7/372
D261,472	S *	10/1981	Graham et al.	D7/383
D276,202	S *	11/1984	Shun	D7/678
5,289,760	A	3/1994	Barradas	
5,970,860	A	10/1999	Yip	
D507,455	S *	7/2005	Bertulis	D7/376
D543,774	S *	6/2007	Rohrer	D7/381
7,337,997	B2 *	3/2008	Ko	241/93
7,520,453	B2	4/2009	Clapp et al.	
7,568,646	B2	8/2009	Lin	
7,637,445	B2	12/2009	So et al.	
D610,397	S *	2/2010	Rohrer	D7/381
D614,458	S	4/2010	Chan	
D615,373	S	5/2010	Chan	
D619,848	S	7/2010	Rohrer	

OTHER PUBLICATIONS

United States Patent Office Notice of Allowance for U.S. Appl. No. 29/422,078 dated Dec. 10, 2012 (7 pages).

(Continued)

Primary Examiner — Terry Wallace

(74) *Attorney, Agent, or Firm* — Michael Best & Friedrich LLP

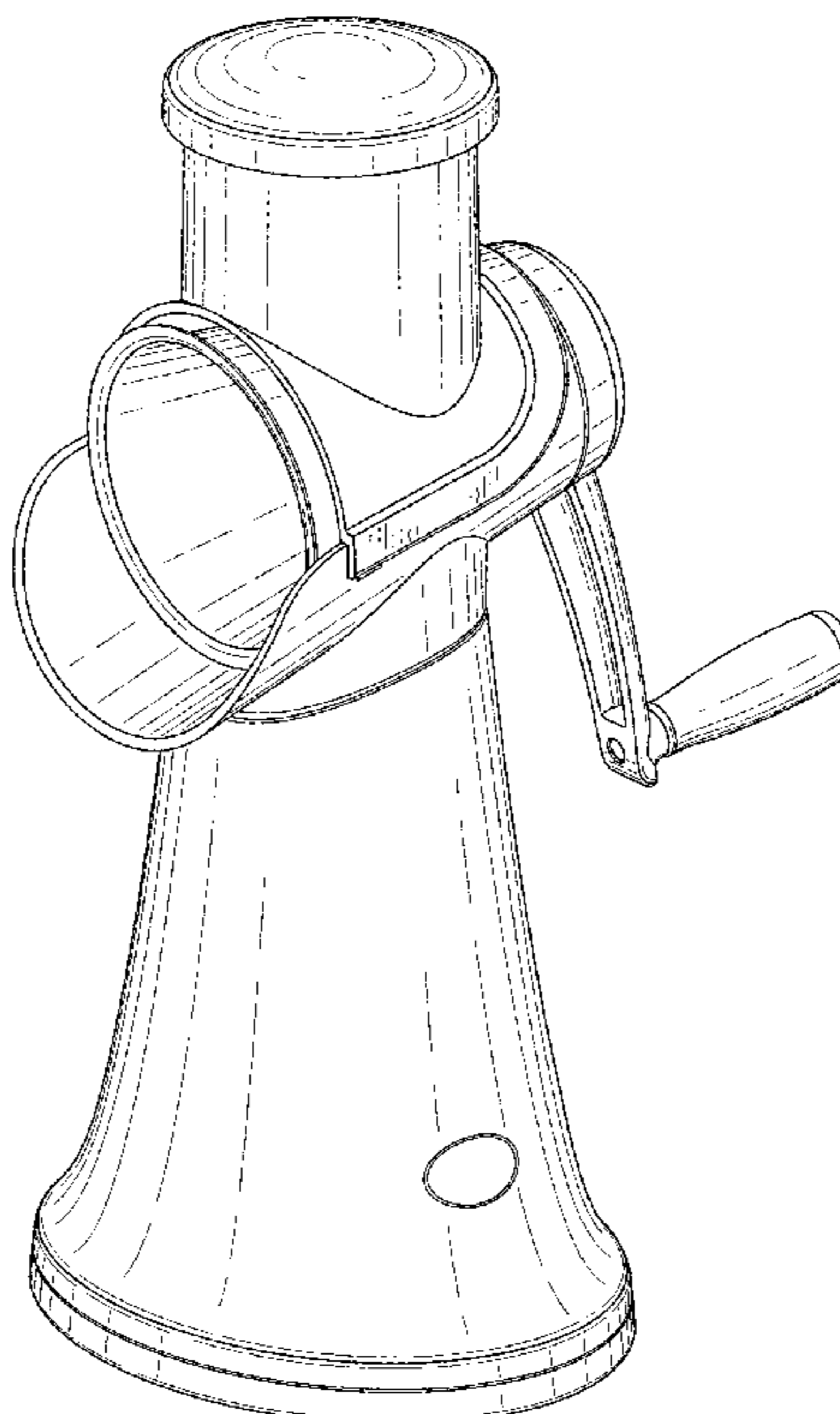
(57) **CLAIM**

The ornamental design for a food cutter, as shown and described.

DESCRIPTION

FIG. 1 is a perspective view of the food cutter.
FIG. 2 is a side view of the food cutter shown in FIG. 1.
FIG. 3 is another side view of the food cutter shown in FIG. 1.
FIG. 4 is front view of the food cutter of FIG. 1.
FIG. 5 is a rear view of the food cutter of FIG. 1.
FIG. 6 is a top view of the food cutter of FIG. 1; and,
FIG. 7 is bottom view of the food cutter of FIG. 1.

1 Claim, 6 Drawing Sheets



US D680,390 S

Page 2

OTHER PUBLICATIONS

United States Patent Office Notice of Allowance for U.S. Appl. No.
29/422,079 dated Dec. 17, 2012 (7 pages).

United States Patent Office Notice of Allowance for U.S. Appl. No.
29/422,082 dated Jan. 14, 2013 (7 pages).

* cited by examiner

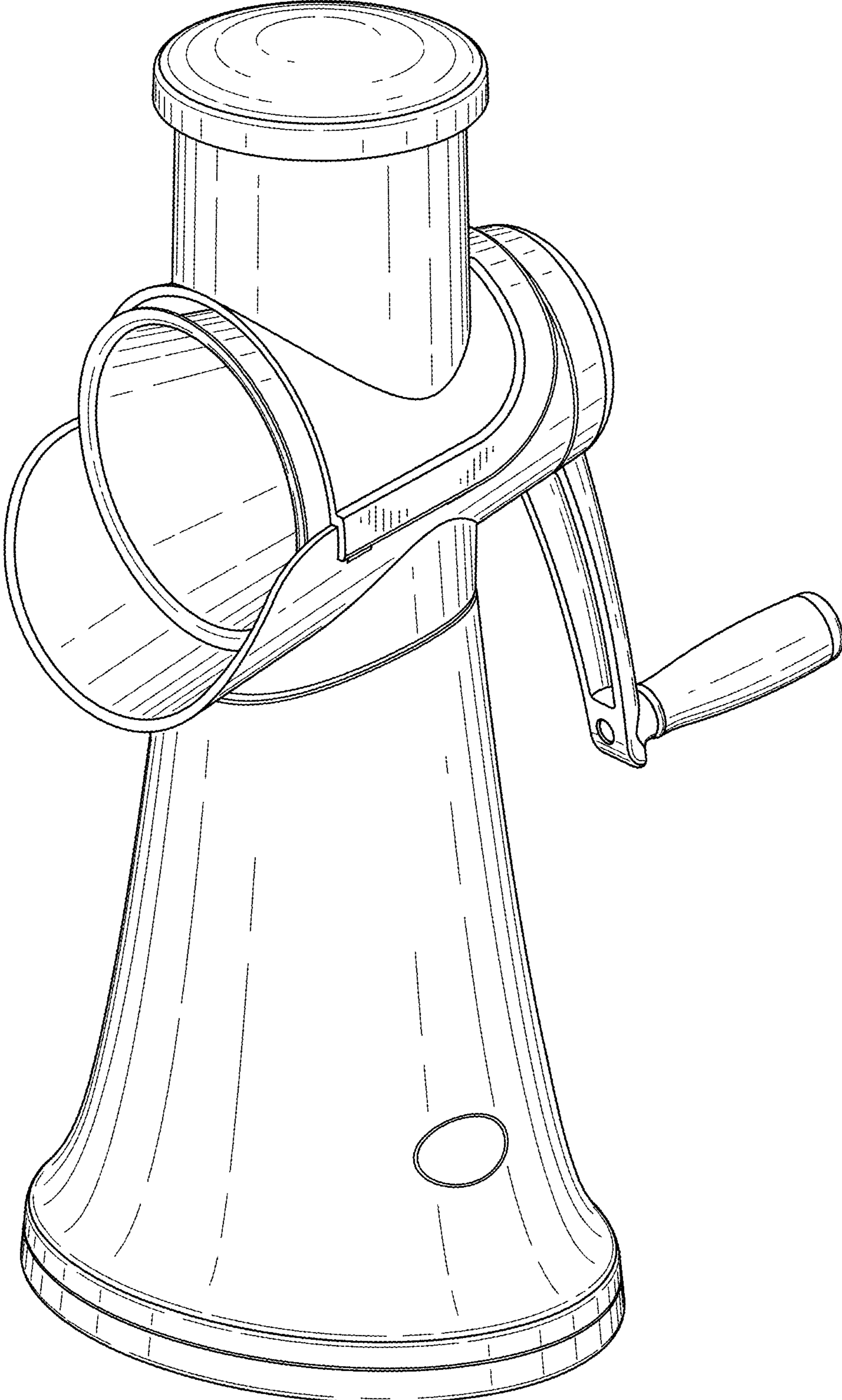


FIG. 1

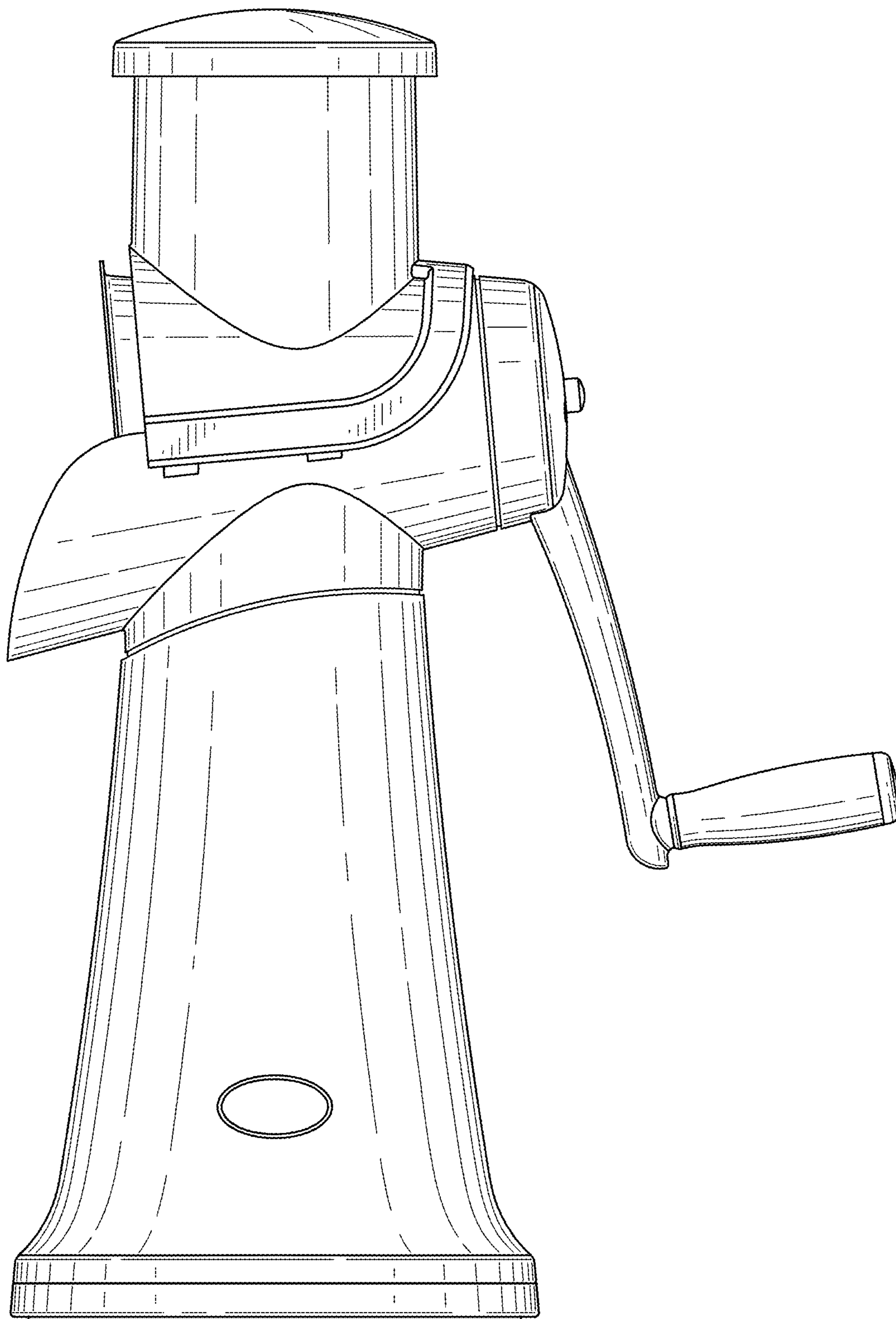


FIG. 2

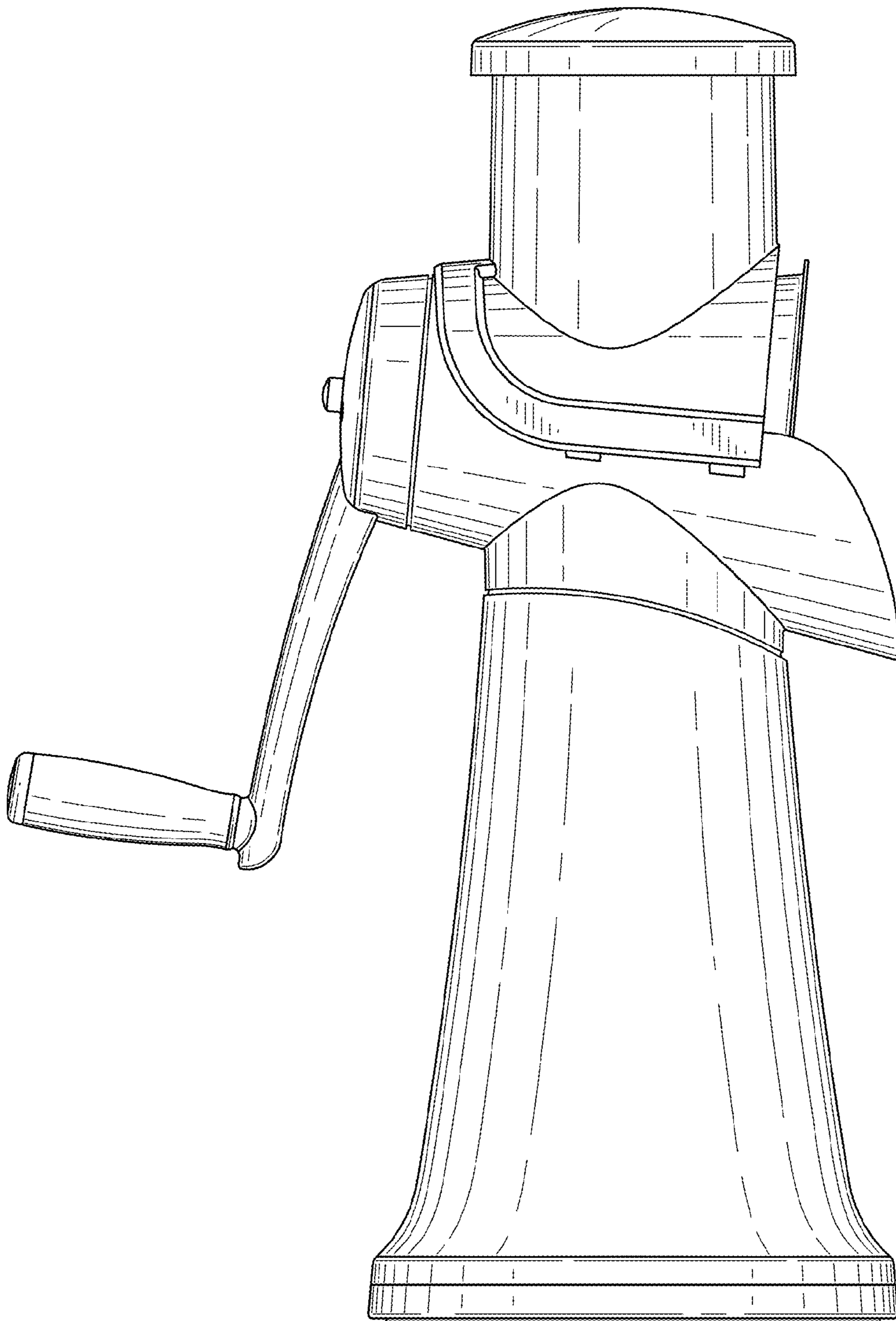


FIG. 3

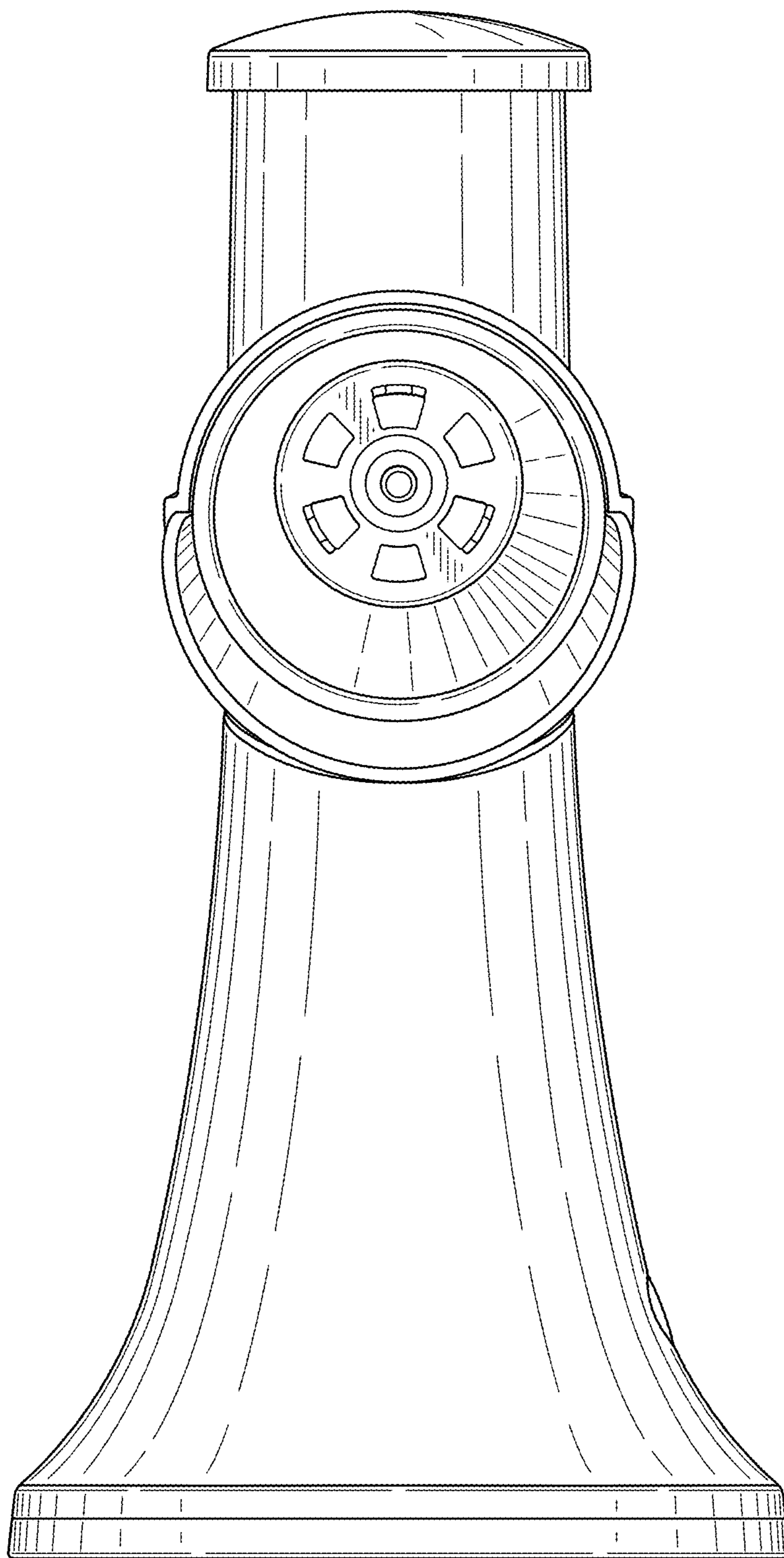


FIG. 4

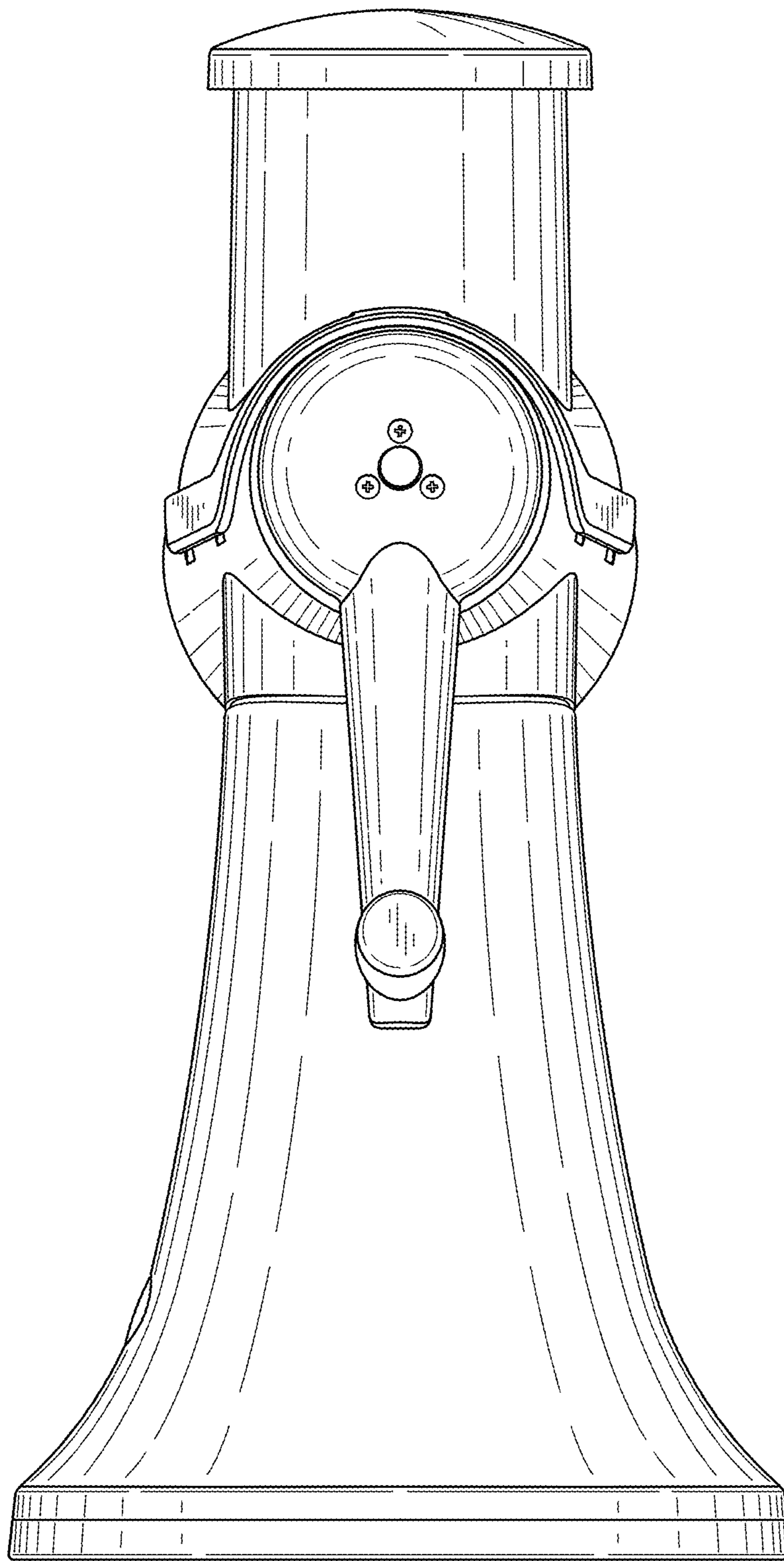


FIG. 5

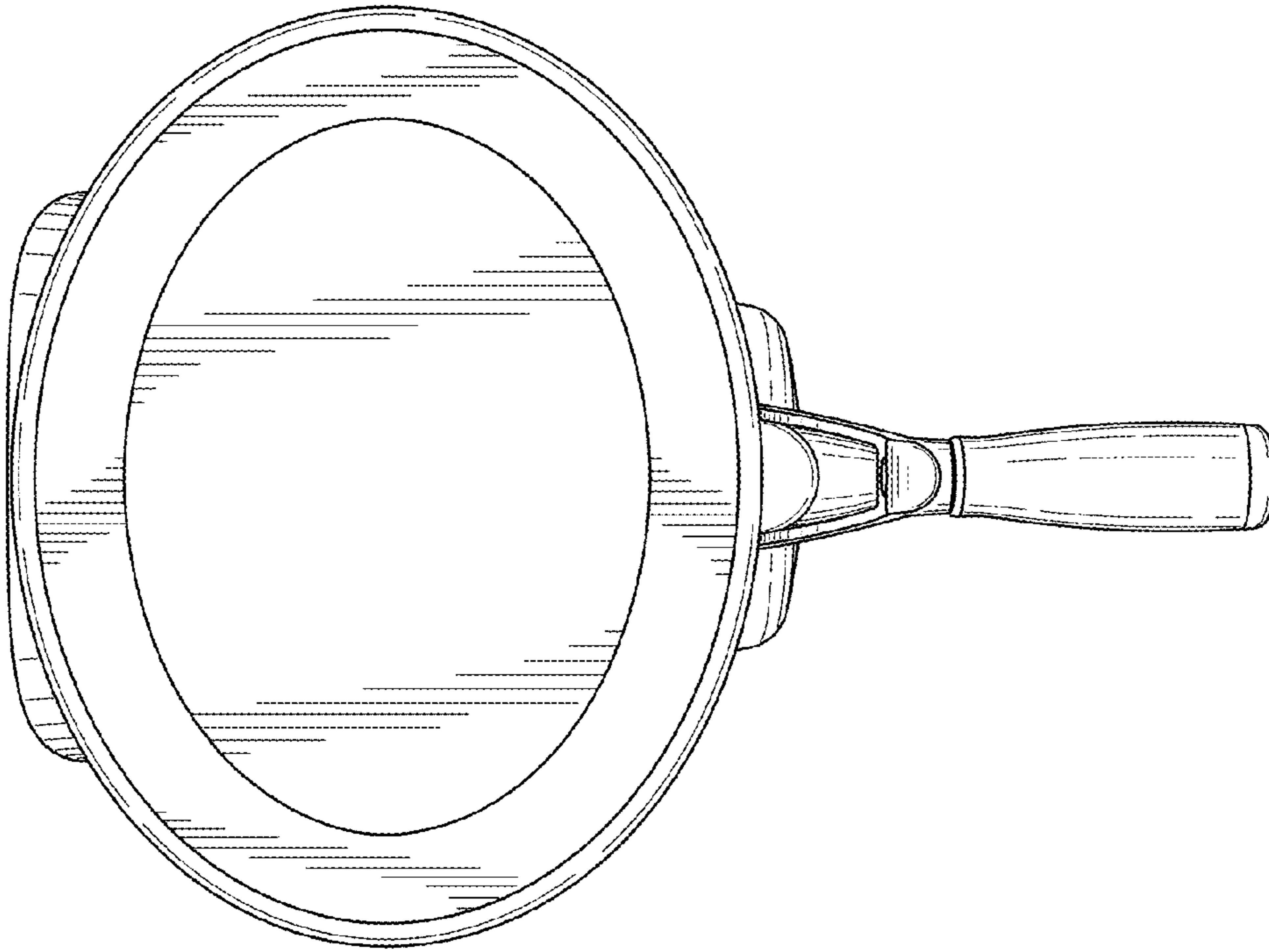


FIG. 7

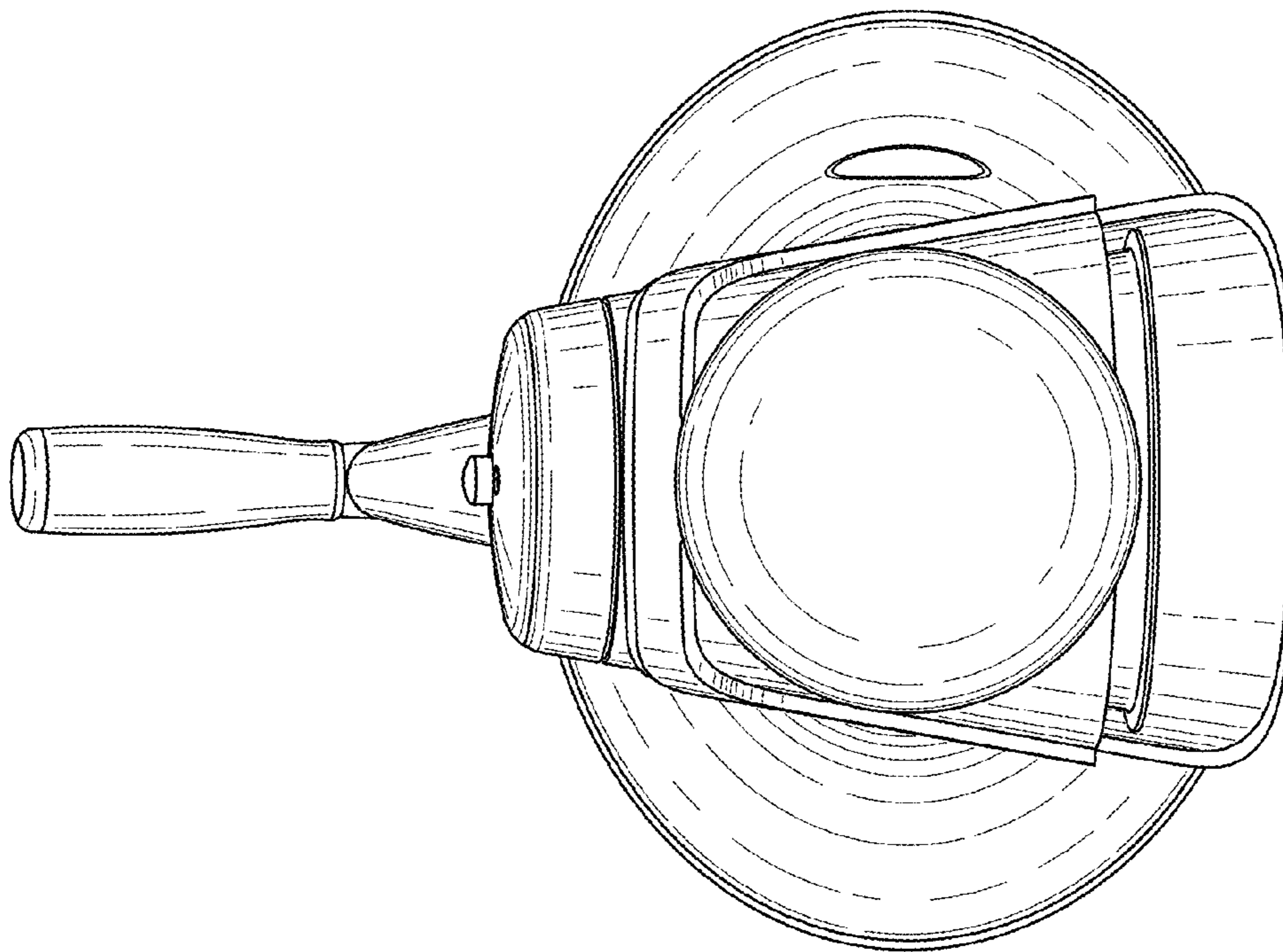


FIG. 6