



US00D680389S

(12) **United States Design Patent**
Zemel et al.

(10) **Patent No.:** **US D680,389 S**

(45) **Date of Patent:** **** Apr. 23, 2013**

(54) **HAMBURGER PRESS**

(75) Inventors: **Marc Zemel**, Melville, NY (US); **Adam Schillen**, Dix Hills, NY (US)

(73) Assignee: **Mr. BAR-B-Q-, Inc.**, Old Bethpage, NY (US)

(**) Term: **14 Years**

(21) Appl. No.: **29/418,743**

(22) Filed: **Apr. 20, 2012**

(51) **LOC (9) Cl.** **07-04**

(52) **U.S. Cl.**
USPC **D7/672**

(58) **Field of Classification Search** D7/672-677,
D7/43, 682, 354, 357, 693; 30/301-303,
30/114, 117, 305, 316; 425/284, 298, 299,
425/318; 249/112, 170; 100/295
See application file for complete search history.

(56) **References Cited**

U.S. PATENT DOCUMENTS

65,618	A *	6/1867	Treadwell	425/181
1,322,942	A *	11/1919	Peterson	30/301
2,191,921	A	2/1940	Ziringer		
D155,422	S	10/1949	Henderson		
2,722,713	A	11/1955	Oestermeyer		
D179,131	S *	11/1956	Frey	D7/672
3,280,662	A *	10/1966	Frankenfield	81/488
D206,606	S	1/1967	Brown		
D220,598	S *	4/1971	Meszaros	D7/693
D234,113	S	1/1975	Wright		
D236,312	S	8/1975	Brown		
3,934,308	A	1/1976	Neri		
D245,827	S	9/1977	Korpi		
4,106,162	A	8/1978	Fournier		
D260,841	S *	9/1981	Gilmore	D7/673
D333,759	S	3/1993	Ferrin		
D350,882	S *	9/1994	Charland	D7/672
D352,206	S	11/1994	Davis		
D353,968	S	1/1995	Cock		

(Continued)

OTHER PUBLICATIONS

U.S. Appl. No. 29/408,583, filed Dec. 14, 2011, Marc Zemel.

(Continued)

Primary Examiner — Ian Simmons

Assistant Examiner — Shannon Weekley

(74) *Attorney, Agent, or Firm* — Carter, DeLuca, Farrell & Schmidt LLP

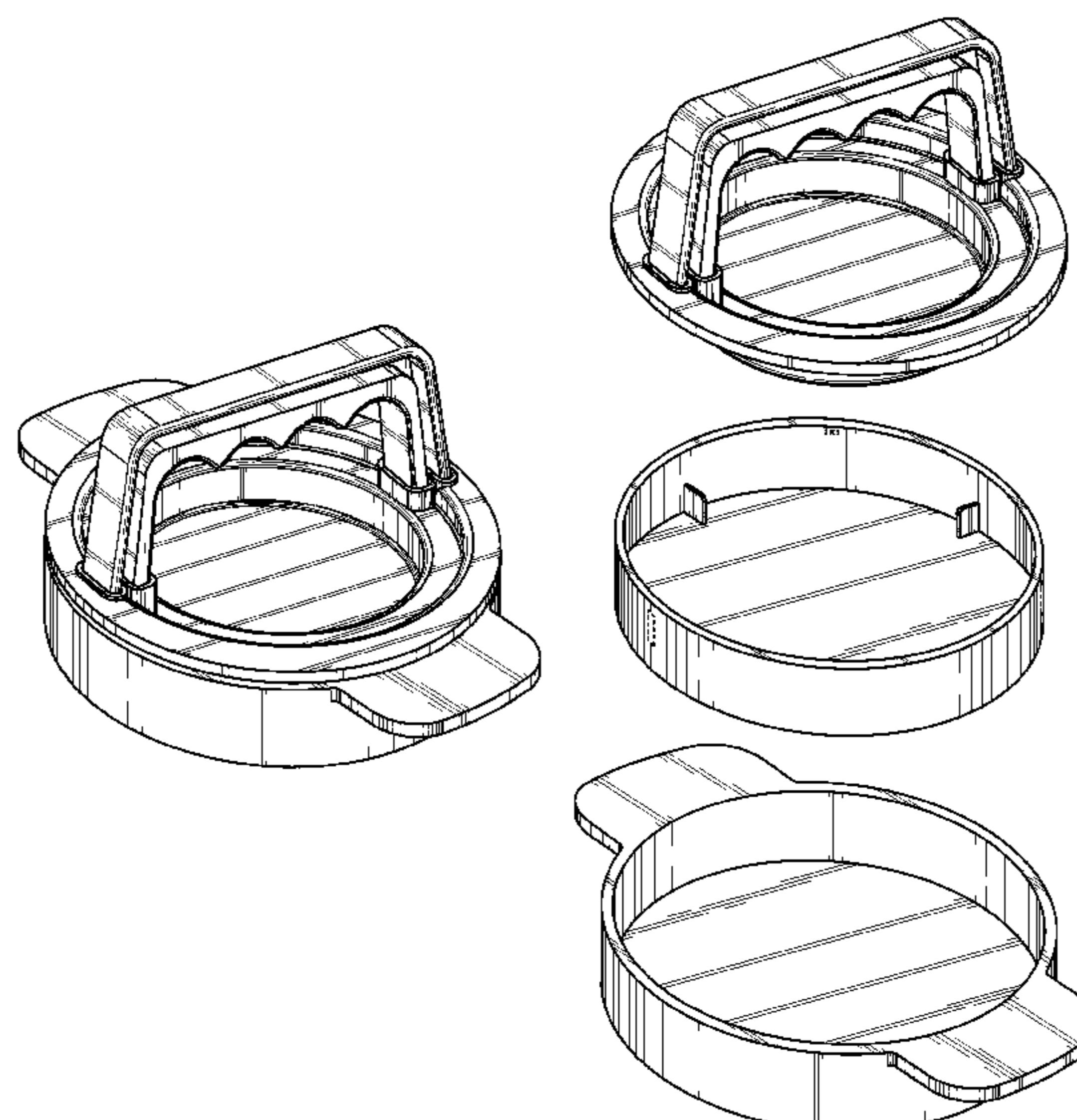
(57) **CLAIM**

The ornamental design for a hamburger press, as shown and described.

DESCRIPTION

FIG. 1 is a top, front side perspective view of a hamburger press of our new design;
 FIG. 2 is a front elevational view, the rear elevation being a mirror image thereof;
 FIG. 3 is a right side elevational view, the left side elevation being a mirror image thereof;
 FIG. 4 is a top plan view thereof;
 FIG. 5 is a bottom plan view thereof;
 FIG. 6 is an exploded isometric top, front view of the hamburger press thereof;
 FIG. 7 is an exploded front elevational view, the rear elevation being a mirror image thereof;
 FIG. 8 is an exploded right side elevational view, the left elevation being a mirror image thereof;
 FIG. 9 is a top plan view of FIG. 6 thereof; and,
 FIG. 10 is a bottom plan view of FIG. 6 thereof.
 The broken lines in FIGS. 6-8 of the hamburger press is for the purpose of illustrating environment only, and forms no part of the claimed design.

1 Claim, 6 Drawing Sheets



US D680,389 S

Page 2

U.S. PATENT DOCUMENTS

D369,948 S 5/1996 Tobiasz
D377,138 S 1/1997 Angelo
D397,277 S * 8/1998 Gibbs, Jr. D7/696
D414,075 S 9/1999 Mishan
D446,088 S * 8/2001 Pardee D7/673
D575,097 S 8/2008 Courington et al.
D586,628 S * 2/2009 Bevers D7/672
D595,998 S 7/2009 Hauser
D621,668 S 8/2010 Zemel

8,038,118 B1 * 10/2011 Ajakie 249/156
D666,062 S * 8/2012 Zemel D7/675
2009/0246311 A1 10/2009 Hauser

OTHER PUBLICATIONS

U.S. Appl. No. 29/408,586, filed Dec. 14, 2011, Marc Zemel.
U.S. Appl. No. 29/415,745, filed Mar. 14, 2012, Marc Zemel.
U.S. Appl. No. 29/416,750, filed Mar. 27, 2012, Marc Zemel.

* cited by examiner

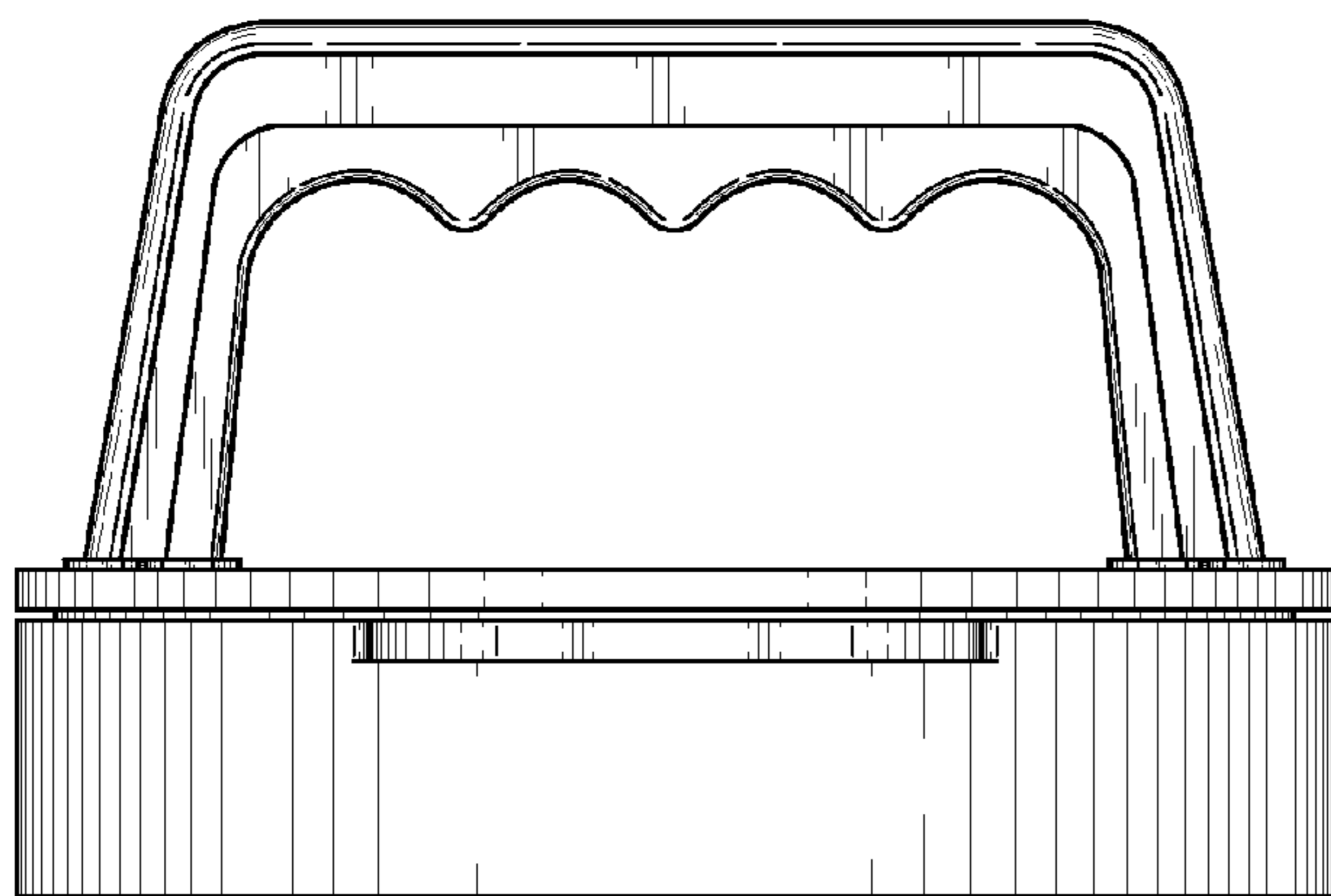
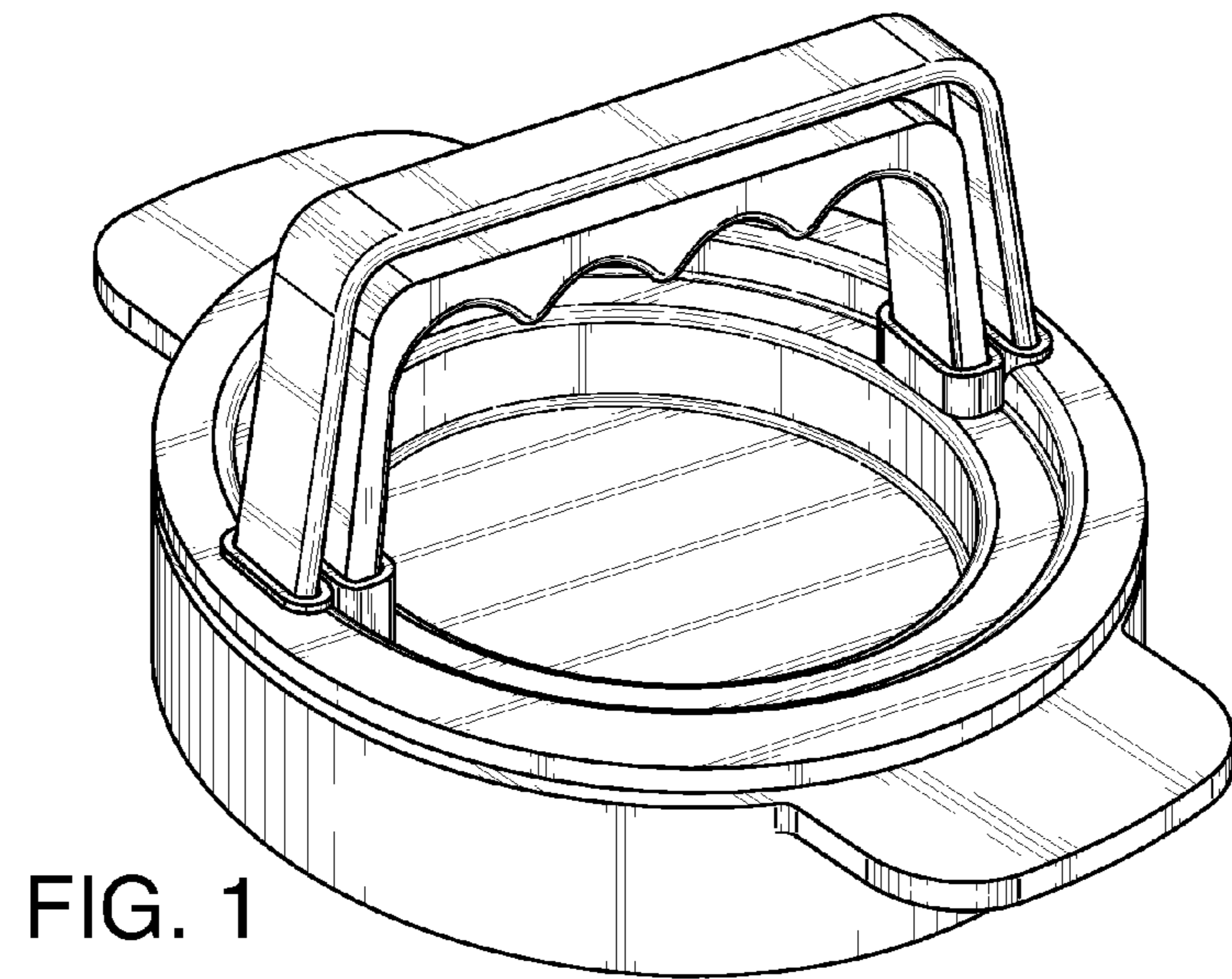


FIG. 2

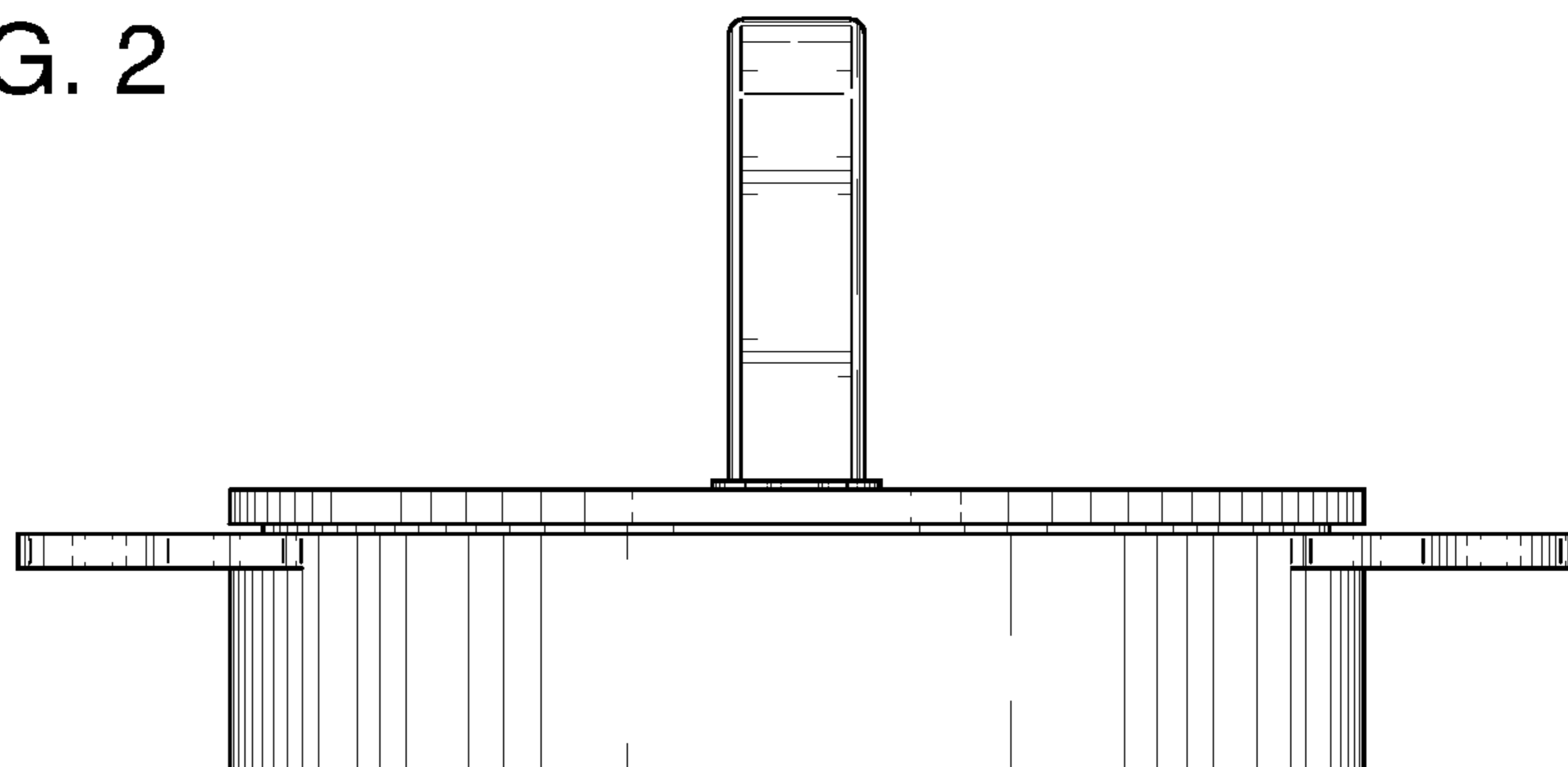


FIG. 3

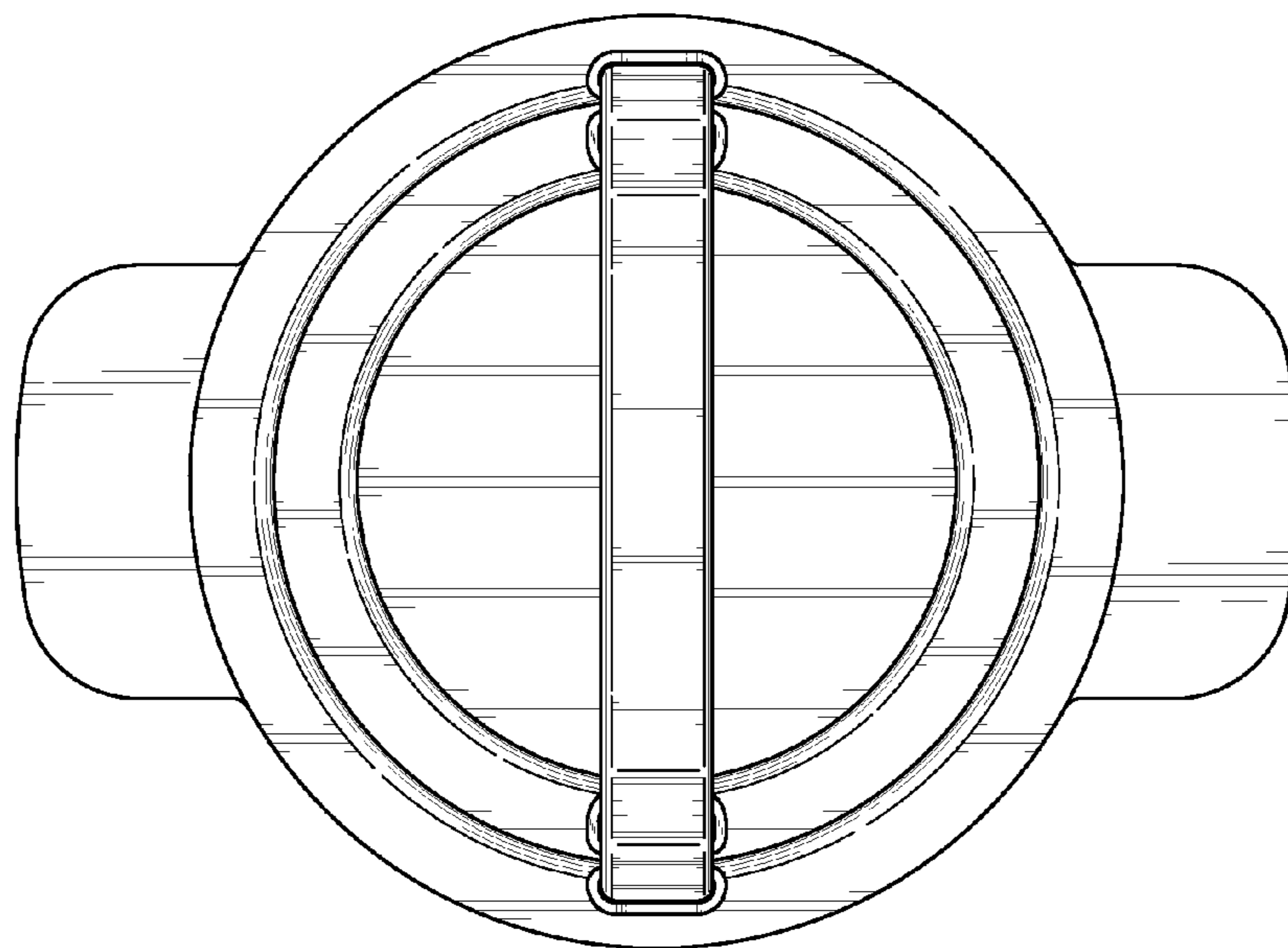


FIG. 4

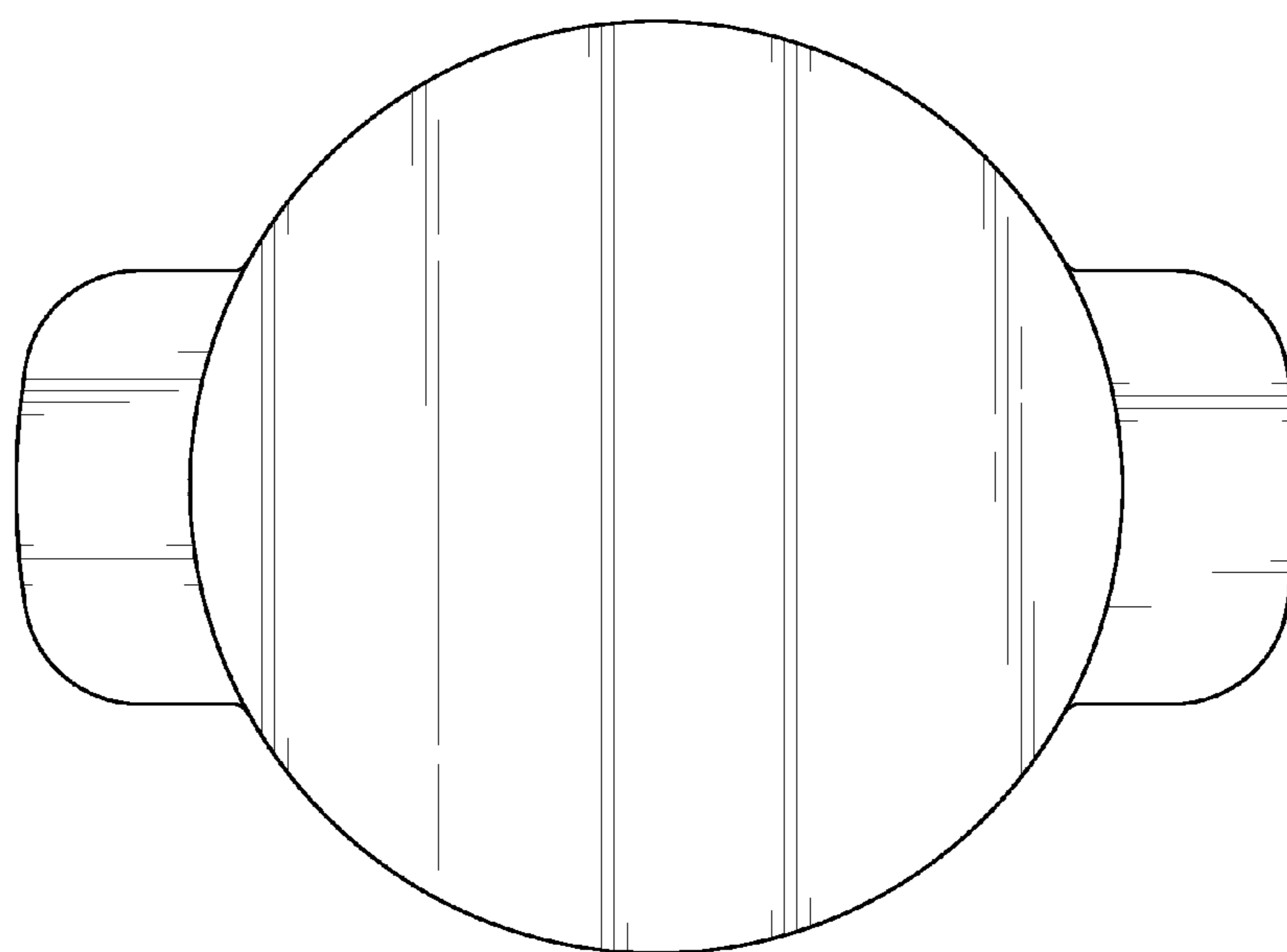
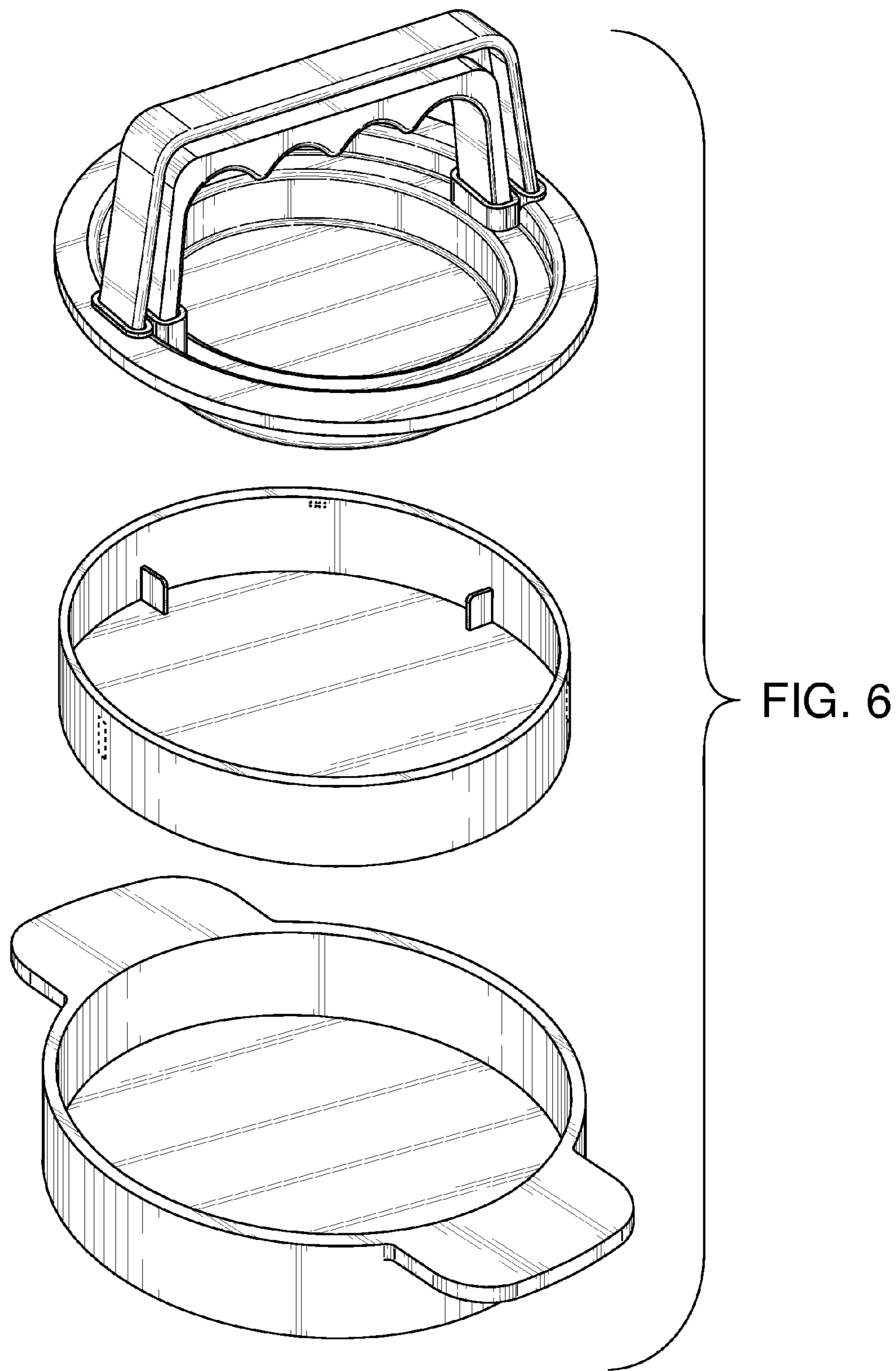


FIG. 5



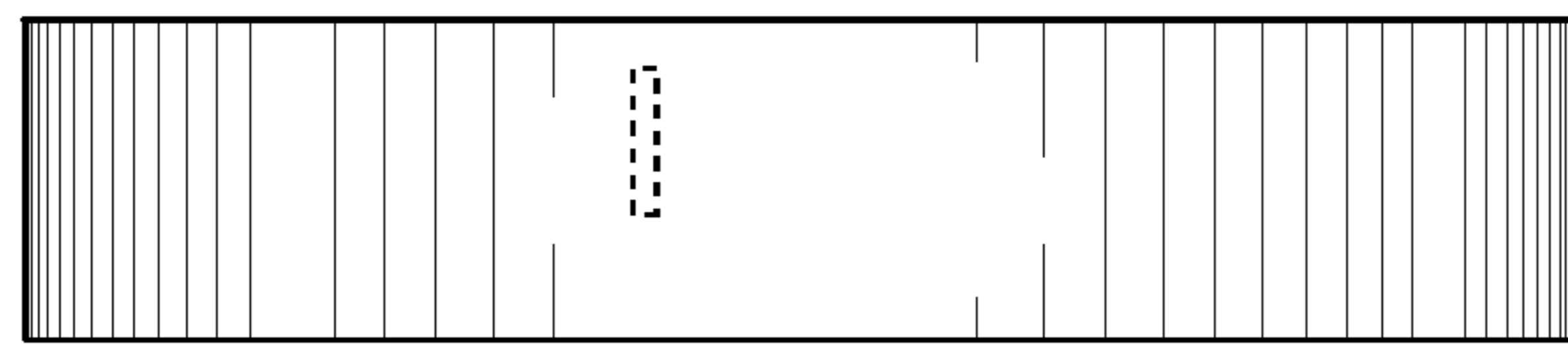
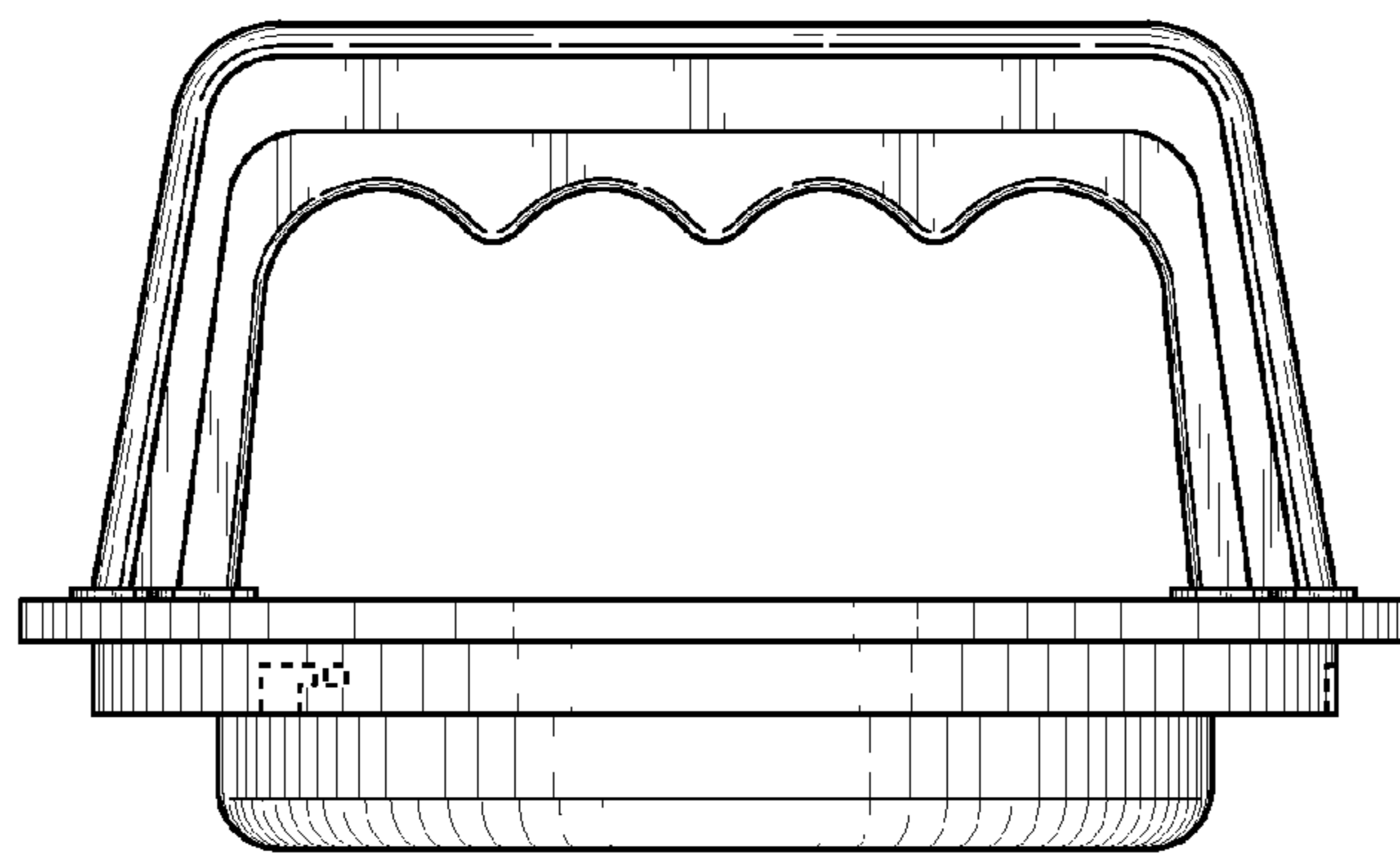


FIG. 7

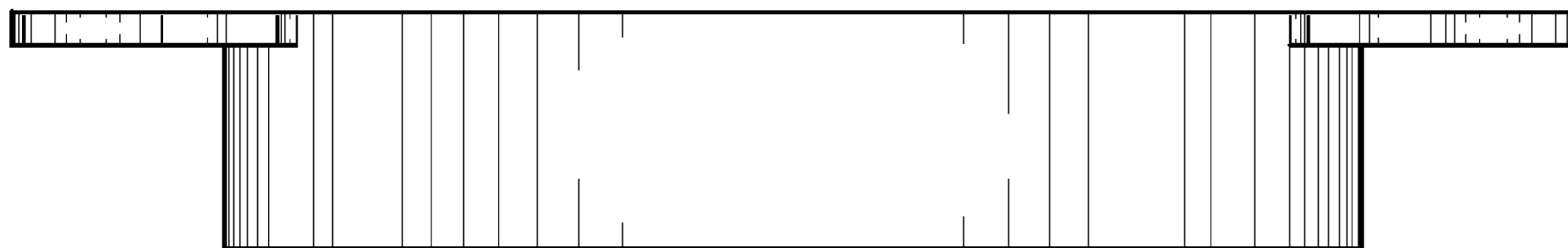
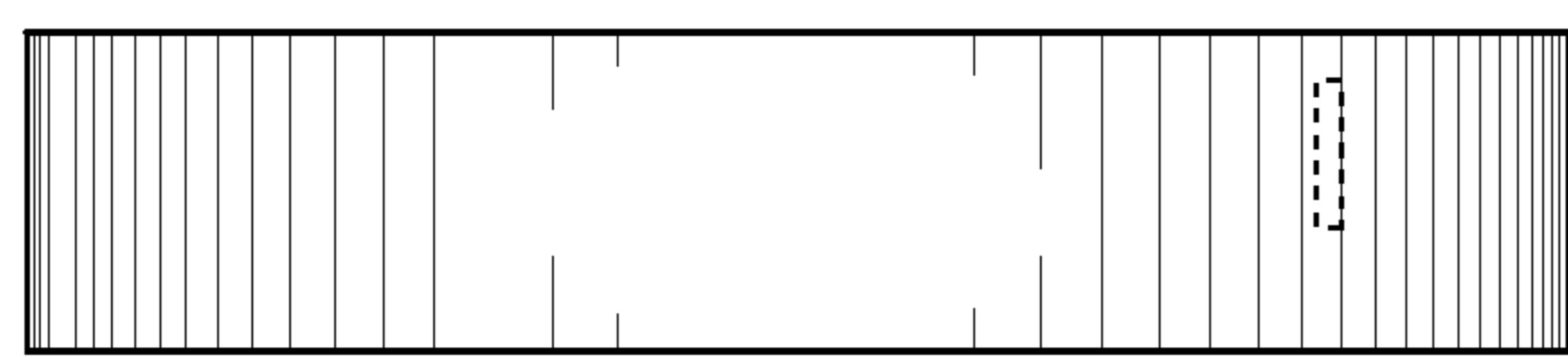
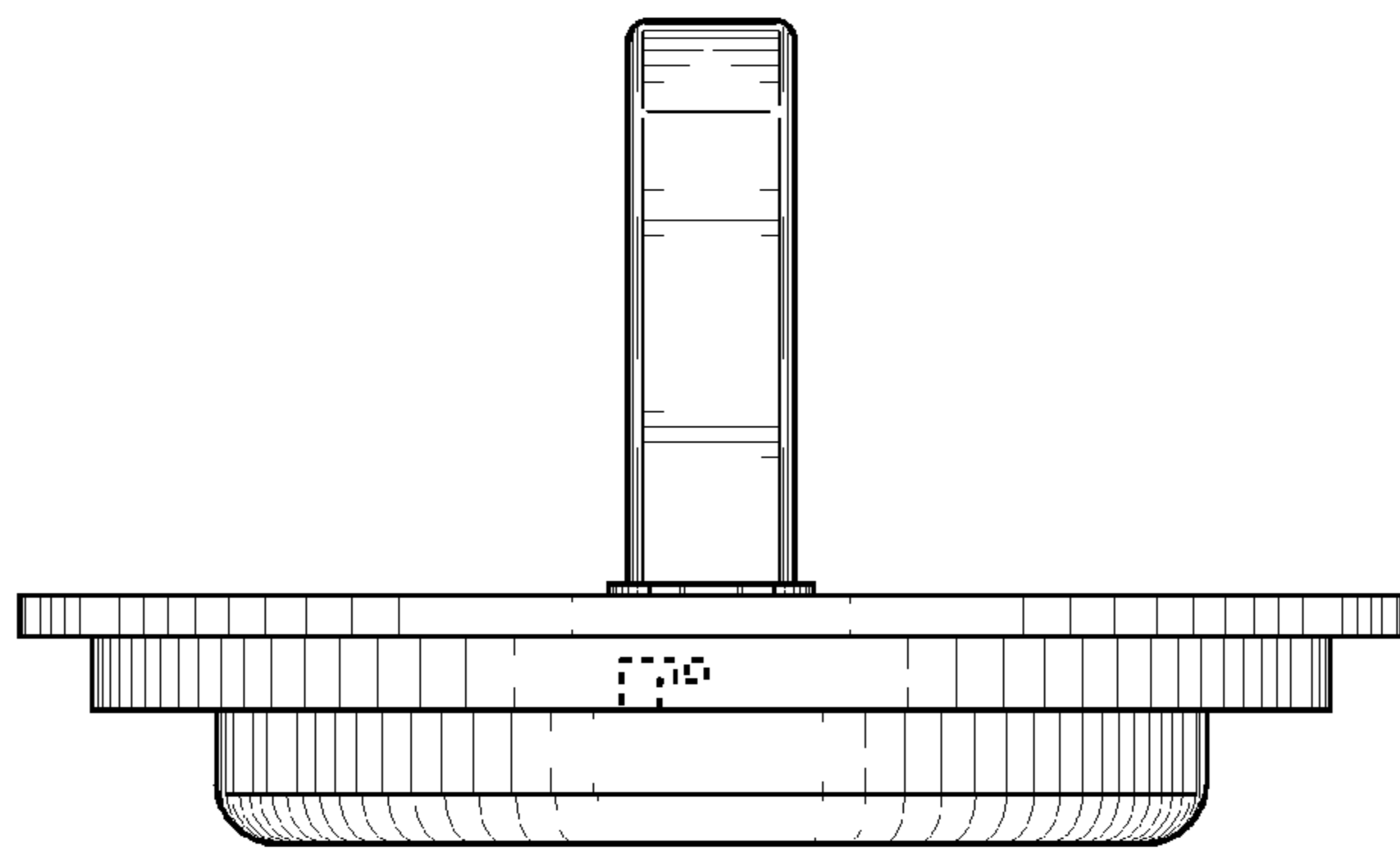


FIG. 8

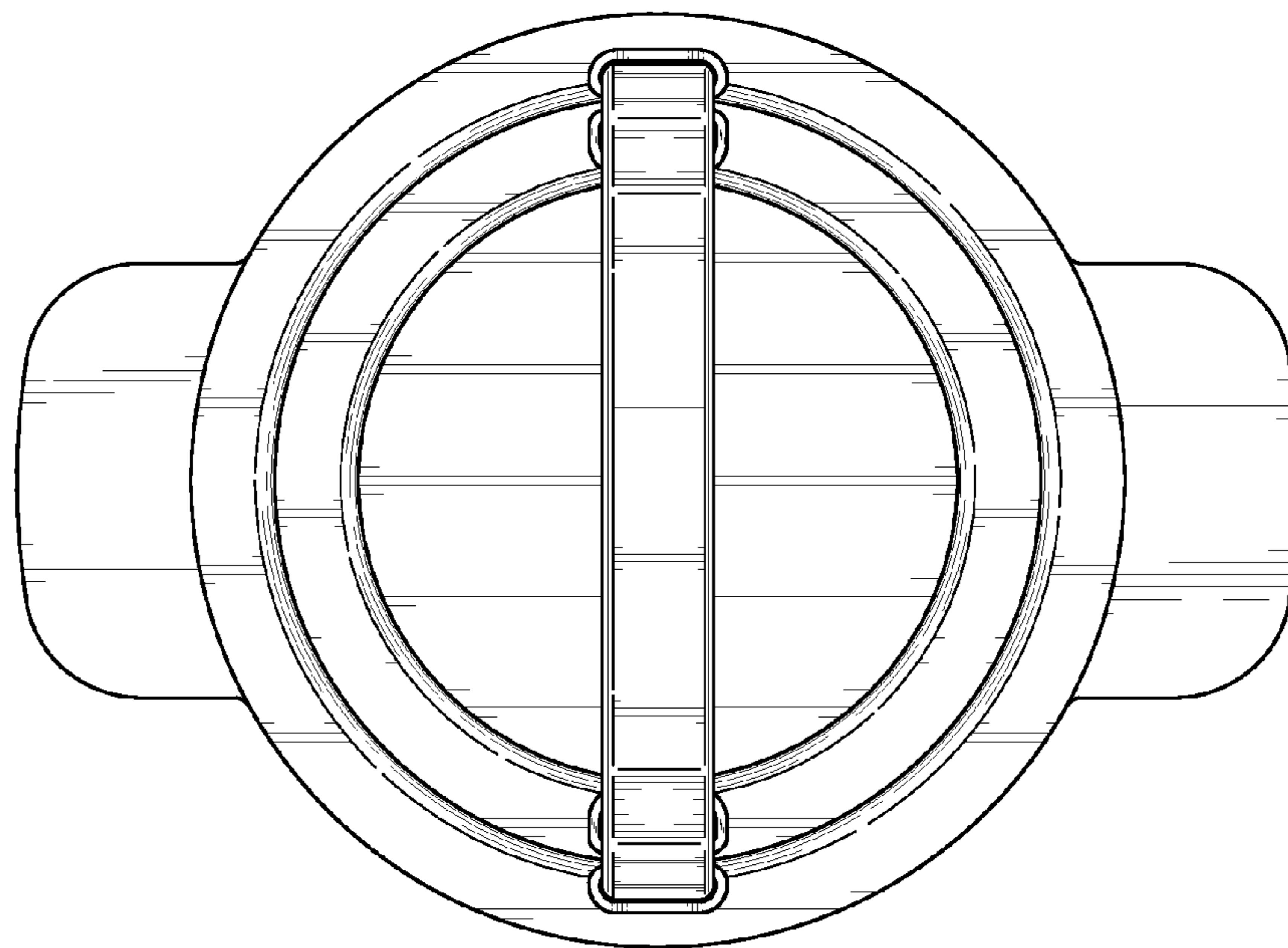


FIG. 9

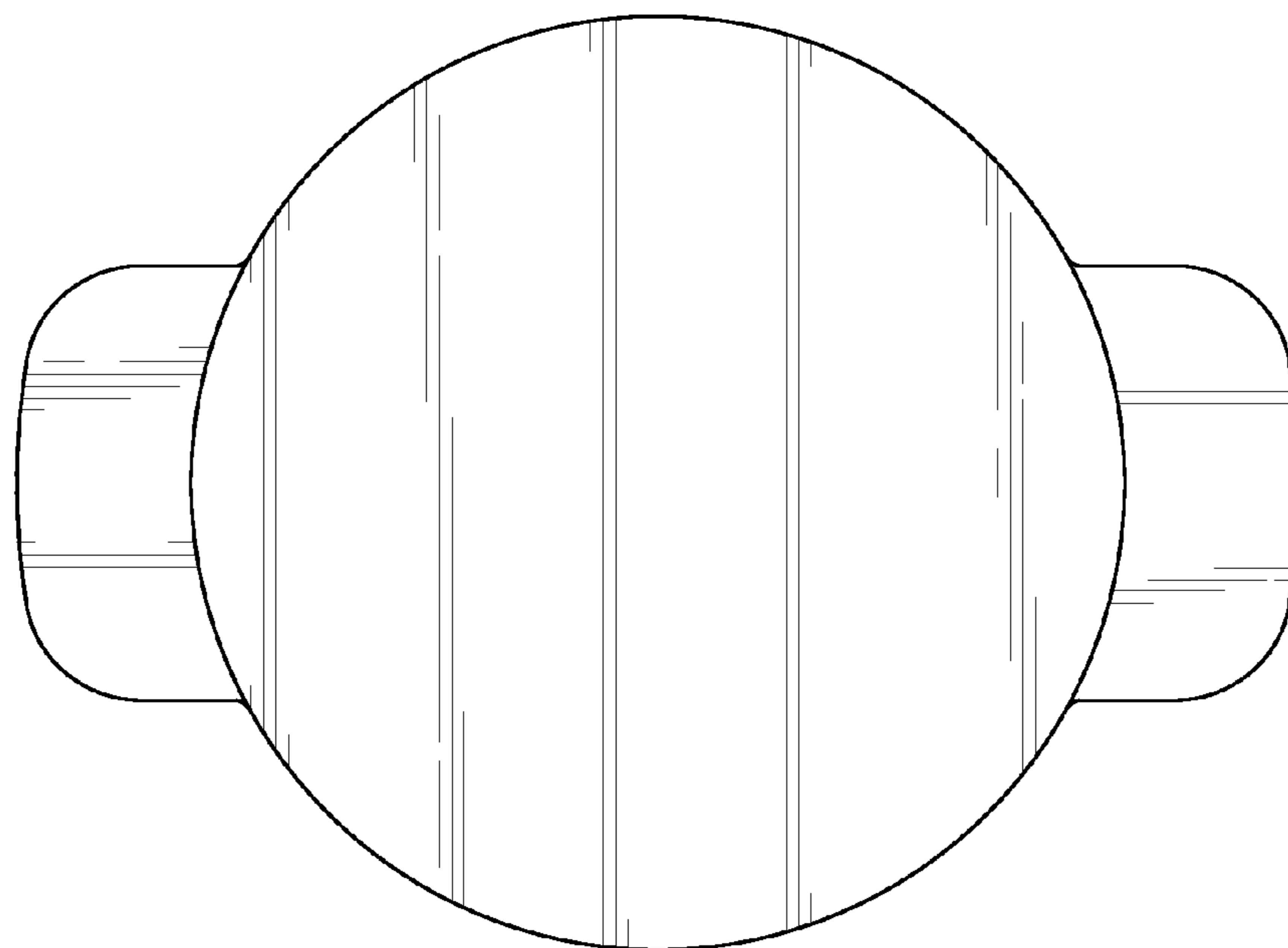


FIG. 10