



US00D680387S

(12) **United States Design Patent**
Hopkins et al.

(10) **Patent No.:** **US D680,387 S**

(45) **Date of Patent:** **** Apr. 23, 2013**

(54) **CANISTER**

(75) Inventors: **Casey Hopkins**, Portland, OR (US);
James Osgood, Chico, CA (US); **Ethan Jewett**, Portland, OR (US); **Brett Renlund**, Forest Ranch, CA (US)

(73) Assignee: **Klean Kanteen, Inc.**, Chico, CA (US)

(**) Term: **14 Years**

(21) Appl. No.: **29/423,981**

(22) Filed: **Jun. 6, 2012**

(51) **LOC (9) Cl.** **07-07**

(52) **U.S. Cl.**
USPC **D7/629**

(58) **Field of Classification Search** D7/601,
D7/602, 629, 538-542, 612-615; D9/502,
D9/541, 574, 575, 516; 220/780-806, 574-575,
220/675, 573.1, 660, 260, 288, 326, 236,
220/4.21, 4.24, 4.27, 669-673, 23.83, 23.4
See application file for complete search history.

(56) **References Cited**

U.S. PATENT DOCUMENTS

4,399,926 A * 8/1983 Eidels-Dubovoy 220/288
D405,654 S * 2/1999 Moran D7/629
D557,994 S * 12/2007 Wahl et al. D7/629

D587,534 S * 3/2009 Carreno D7/629
D593,372 S * 6/2009 Carreno D7/629
D593,811 S * 6/2009 Carreno D7/629
D622,554 S * 8/2010 Carreno D7/629
D629,657 S * 12/2010 Carreno D7/629
D643,694 S * 8/2011 Lu D7/629

* cited by examiner

Primary Examiner — Terry Wallace

(74) *Attorney, Agent, or Firm* — Alleman Hall McCoy Russell & Tuttle LLP

(57) **CLAIM**

The ornamental design for a canister, as shown and described.

DESCRIPTION

FIG. 1. is a top perspective view of a canister according to the present invention.

FIG. 2 is another top perspective view of the canister of FIG. 1.

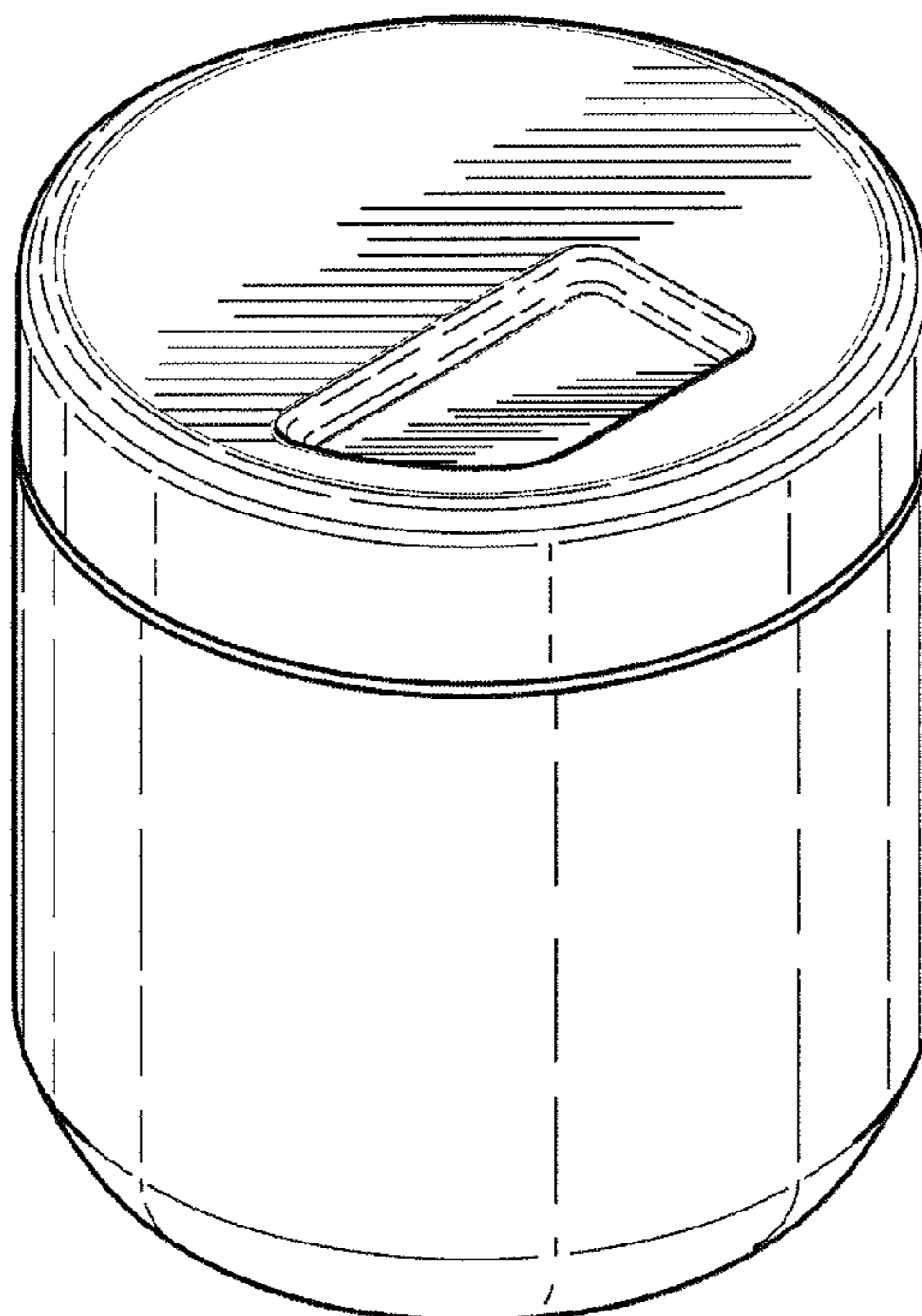
FIG. 3 is a front view of the canister of FIG. 1.

FIG. 4 is a top view of the canister of FIG. 1; and,

FIG. 5 is a bottom view of the canister of FIG. 1.

The dash-dot lines in the figures are for environmental purposes only and form no part of the claimed design.

1 Claim, 2 Drawing Sheets



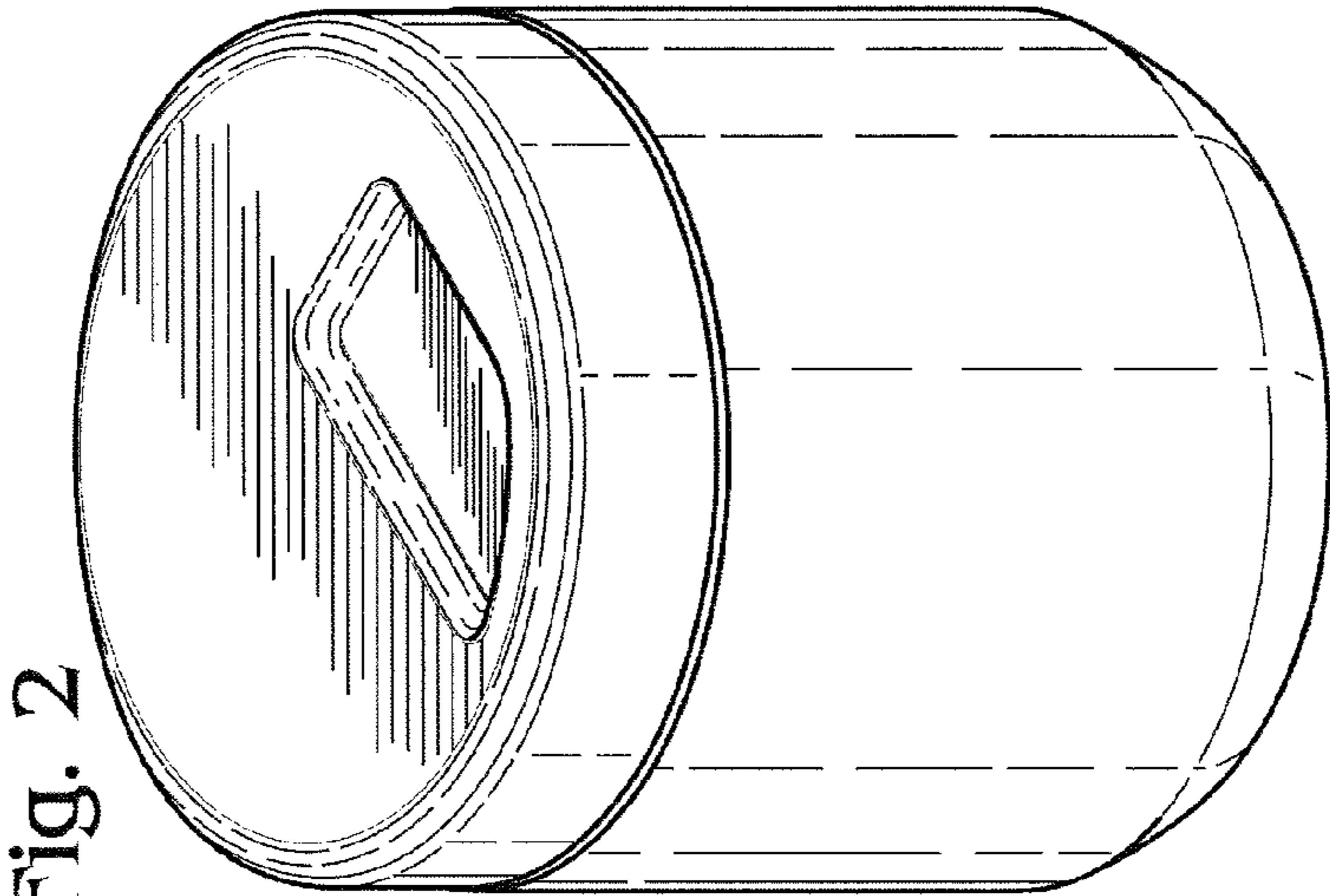


Fig. 2

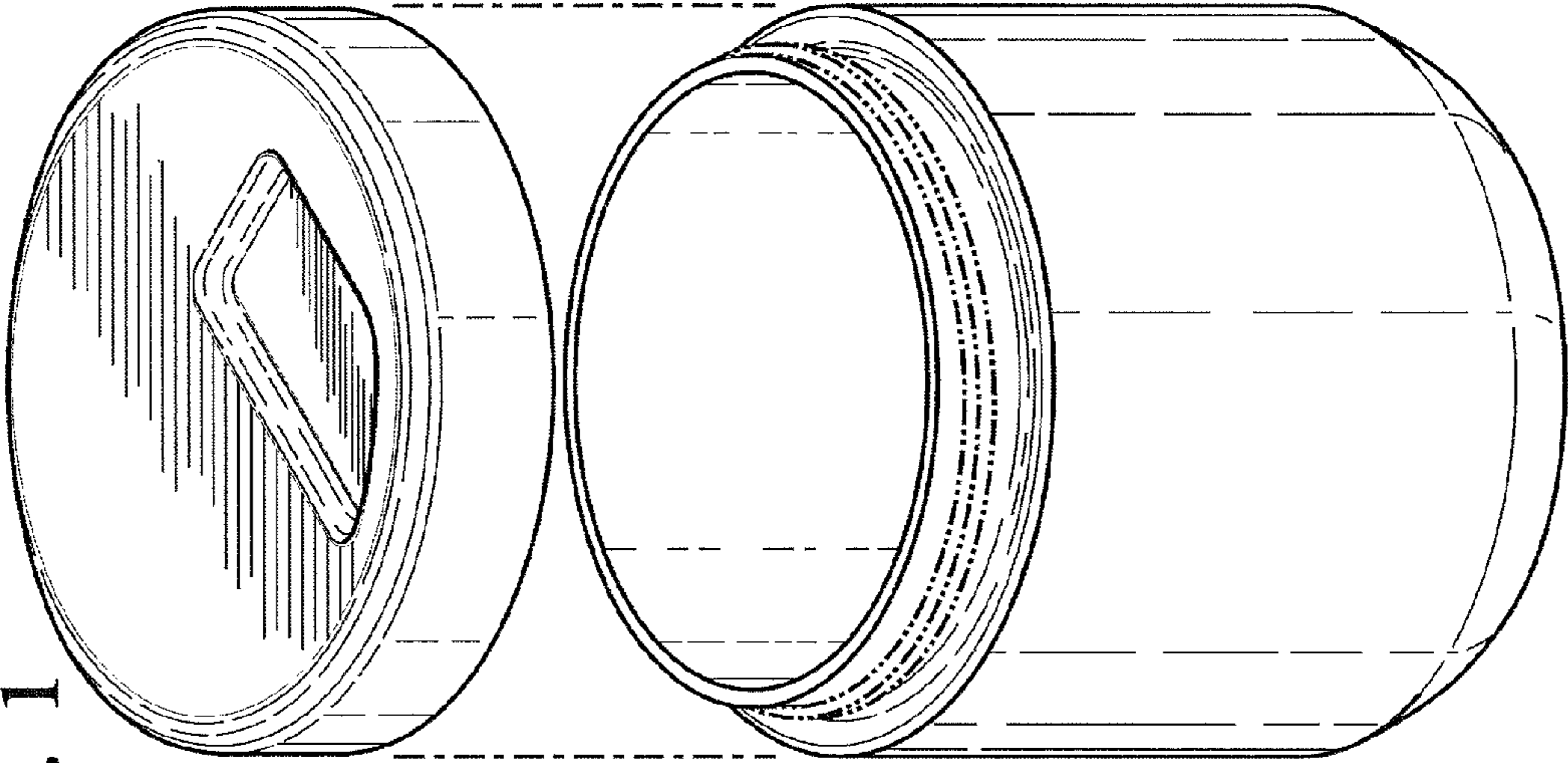


Fig. 1

Fig. 3

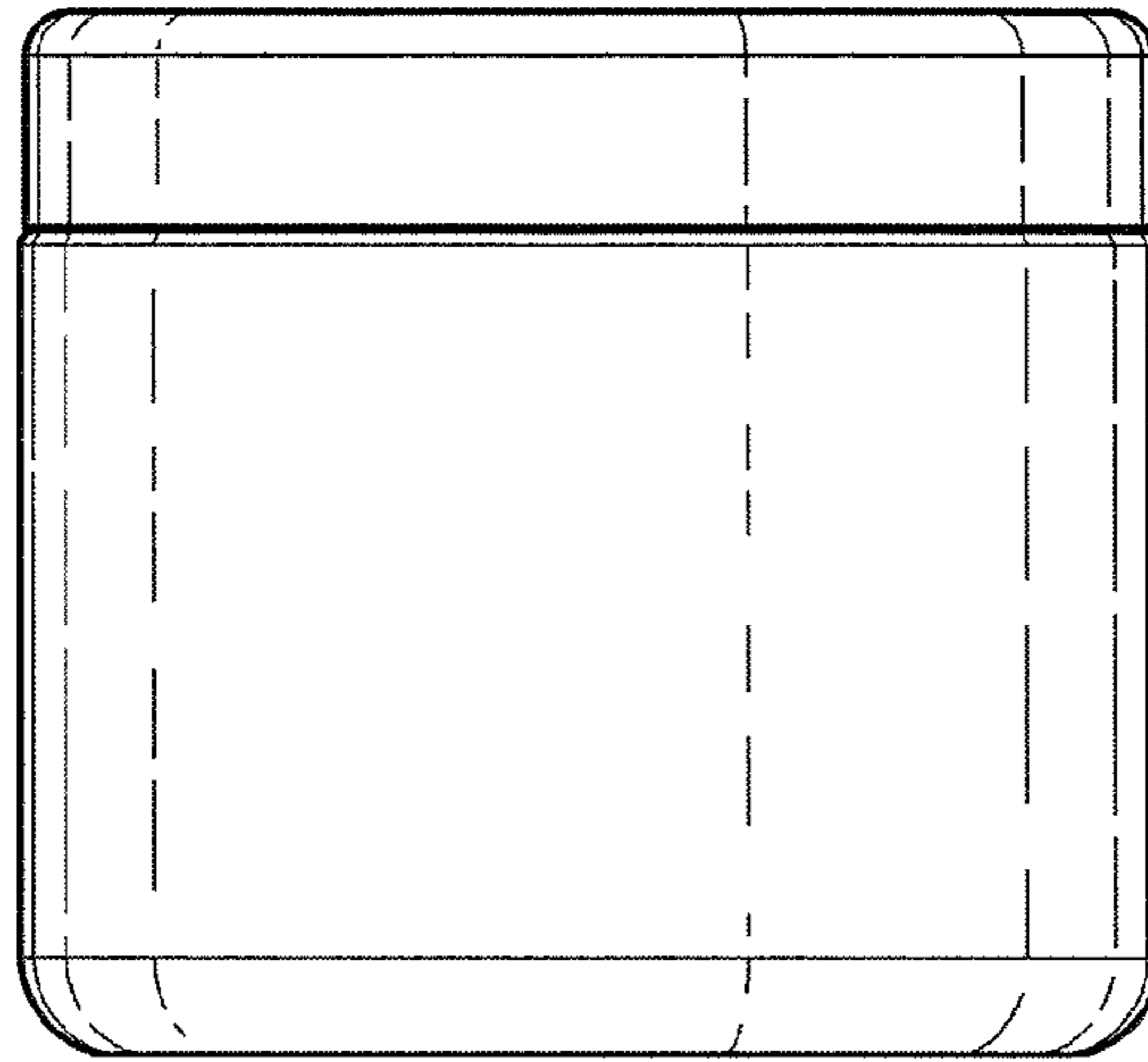


Fig. 4

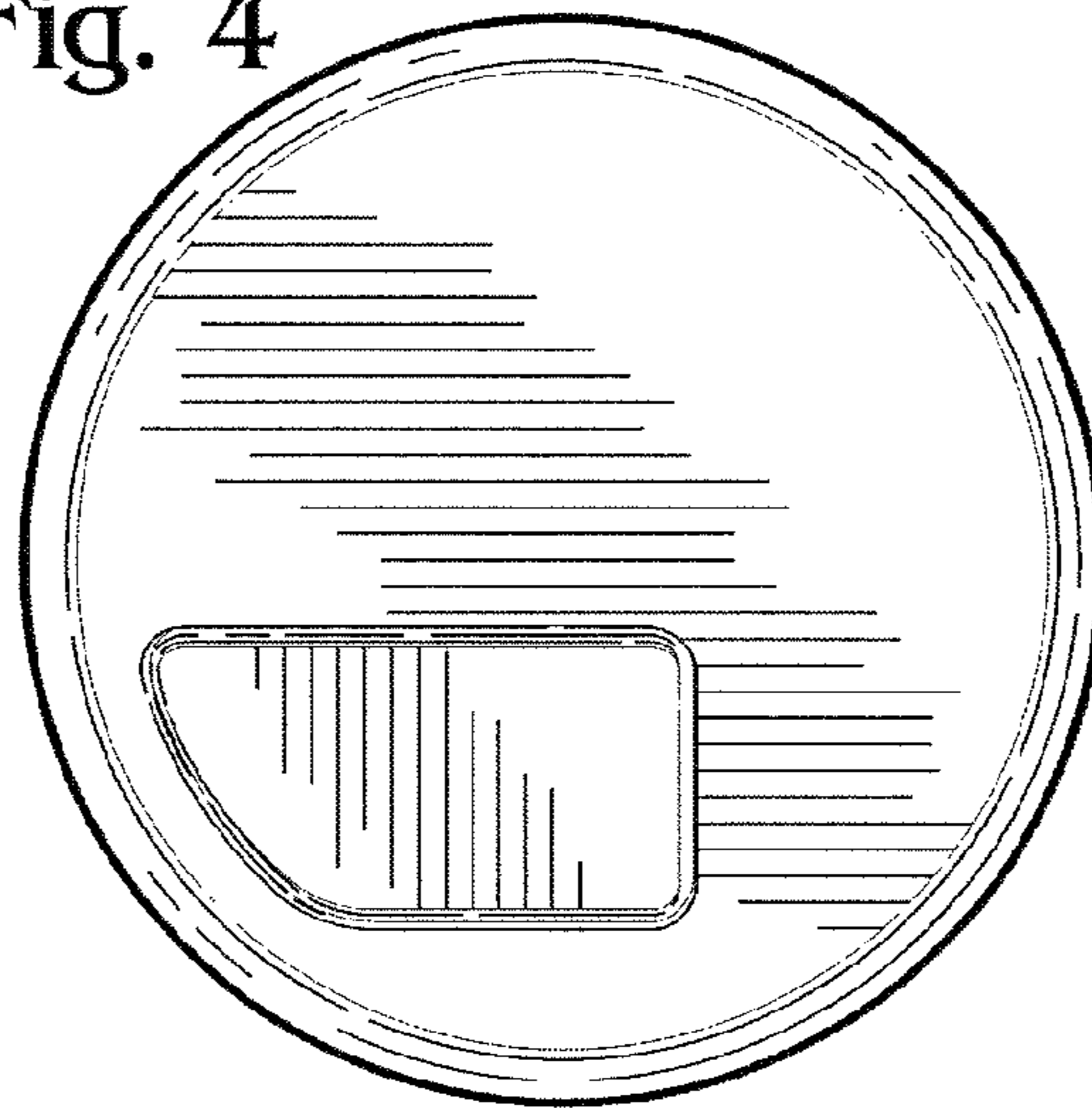


Fig. 5

