



US00D680385S

(12) **United States Design Patent**
Hsu

(10) **Patent No.:** **US D680,385 S**
(45) **Date of Patent:** **** Apr. 23, 2013**

- (54) **RACK FOR FOOD**
- (71) Applicant: **Chien-Chi Hsu**, Taipei (TW)
- (72) Inventor: **Chien-Chi Hsu**, Taipei (TW)
- (73) Assignee: **Tessie Industrial Co., Ltd.**, Taipei (TW)
- (**) Term: **14 Years**
- (21) Appl. No.: **29/433,510**
- (22) Filed: **Oct. 1, 2012**
- (51) **LOC (9) Cl.** **07-06**
- (52) **U.S. Cl.**
USPC **D7/600.4**
- (58) **Field of Classification Search** D7/600.1–600.4,
D7/701–708; D6/454–469, 449, 450; 211/71.07,
211/70.6, 77, 78, 74, 85.31, 191.1, 119.12,
211/128.1, 85.26, 85.4, 133.2
See application file for complete search history.

D629,655 S *	12/2010	Tiemann	D7/600.2
D636,643 S *	4/2011	Tiemann	D7/702
D643,684 S *	8/2011	Tiemann	D7/600.2
2007/0045206 A1 *	3/2007	Tiemann	211/77

* cited by examiner

Primary Examiner — Terry Wallace
(74) *Attorney, Agent, or Firm* — Egbert Law Offices, PLLC

(57) **CLAIM**
The ornamental design for a rack for food, as shown and described.

DESCRIPTION

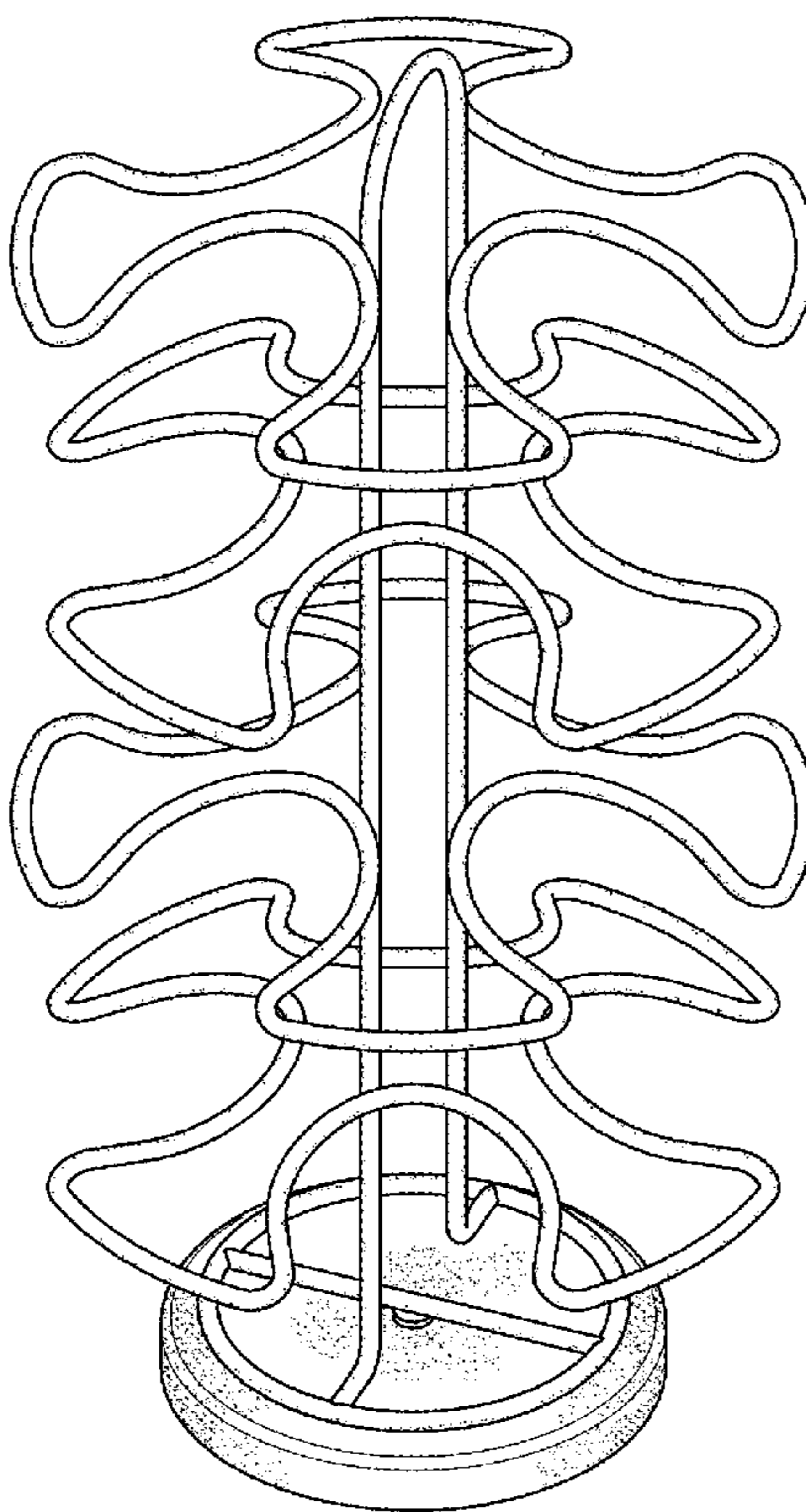
FIG. 1 is an upper perspective view of the rack for food showing my design.
 FIG. 2 is a front elevation view thereof;
 FIG. 3 is back elevation view thereof;
 FIG. 4 is a side elevation view thereof;
 FIG. 5 is an opposite side elevation view thereof;
 FIG. 6 is a top plan view thereof;
 FIG. 7 is a bottom plan view thereof; and,
 FIG. 8 is an upper perspective view thereof shown in condition of use.
 The cup structure presented in broken lines in FIG. 8 is for environmental purposes only and forms no part of the claimed design.

(56) **References Cited**

U.S. PATENT DOCUMENTS

D536,936 S *	2/2007	Tiemann	D7/704
D609,057 S *	2/2010	Hertaus	D7/600.2
D609,533 S *	2/2010	Tiemann	D7/600.2
D620,280 S *	7/2010	Snider	D6/464
D621,640 S *	8/2010	Tiemann	D6/469
D626,382 S *	11/2010	Tiemann	D7/600.2

1 Claim, 8 Drawing Sheets



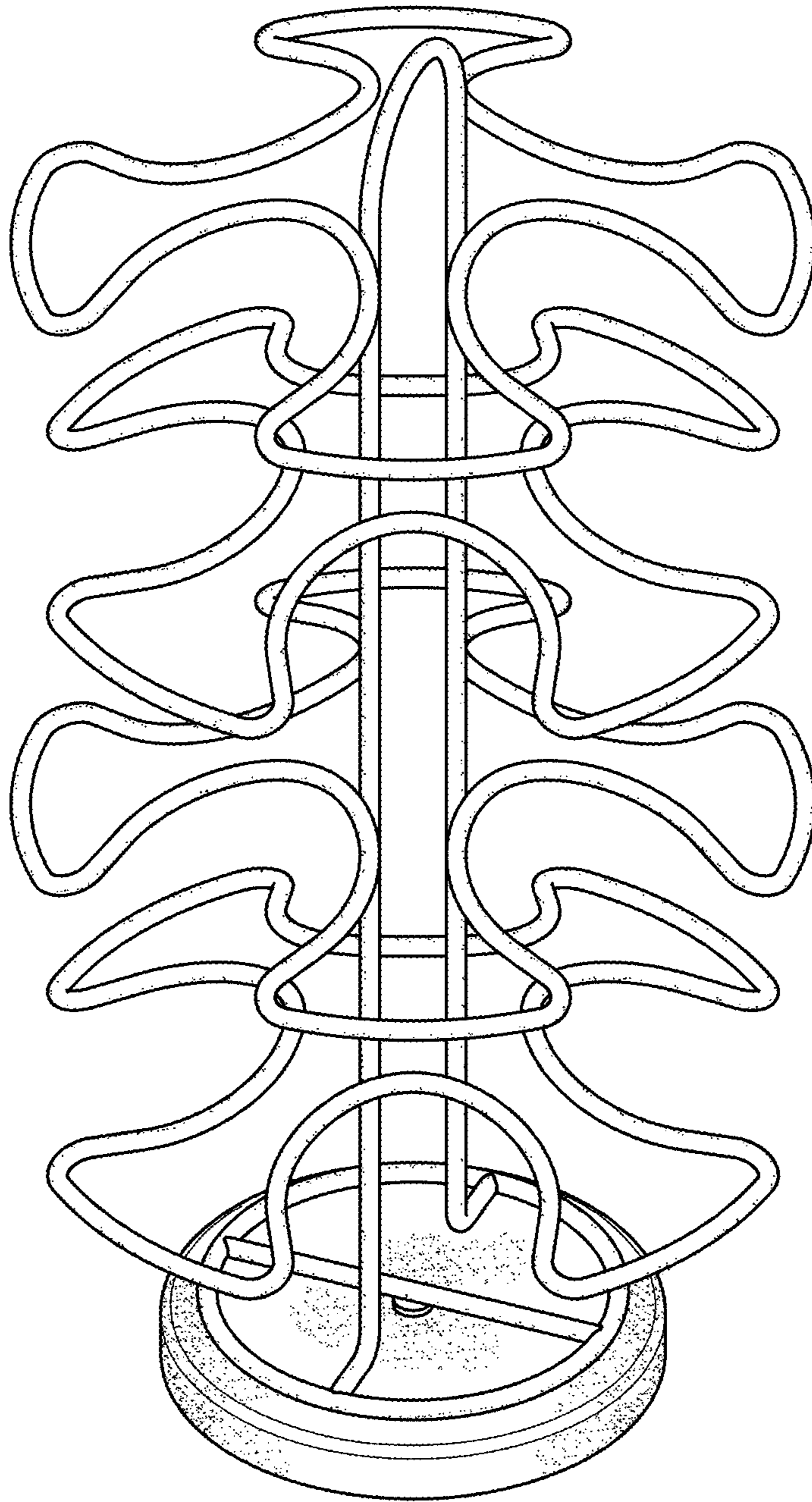


FIG. 1

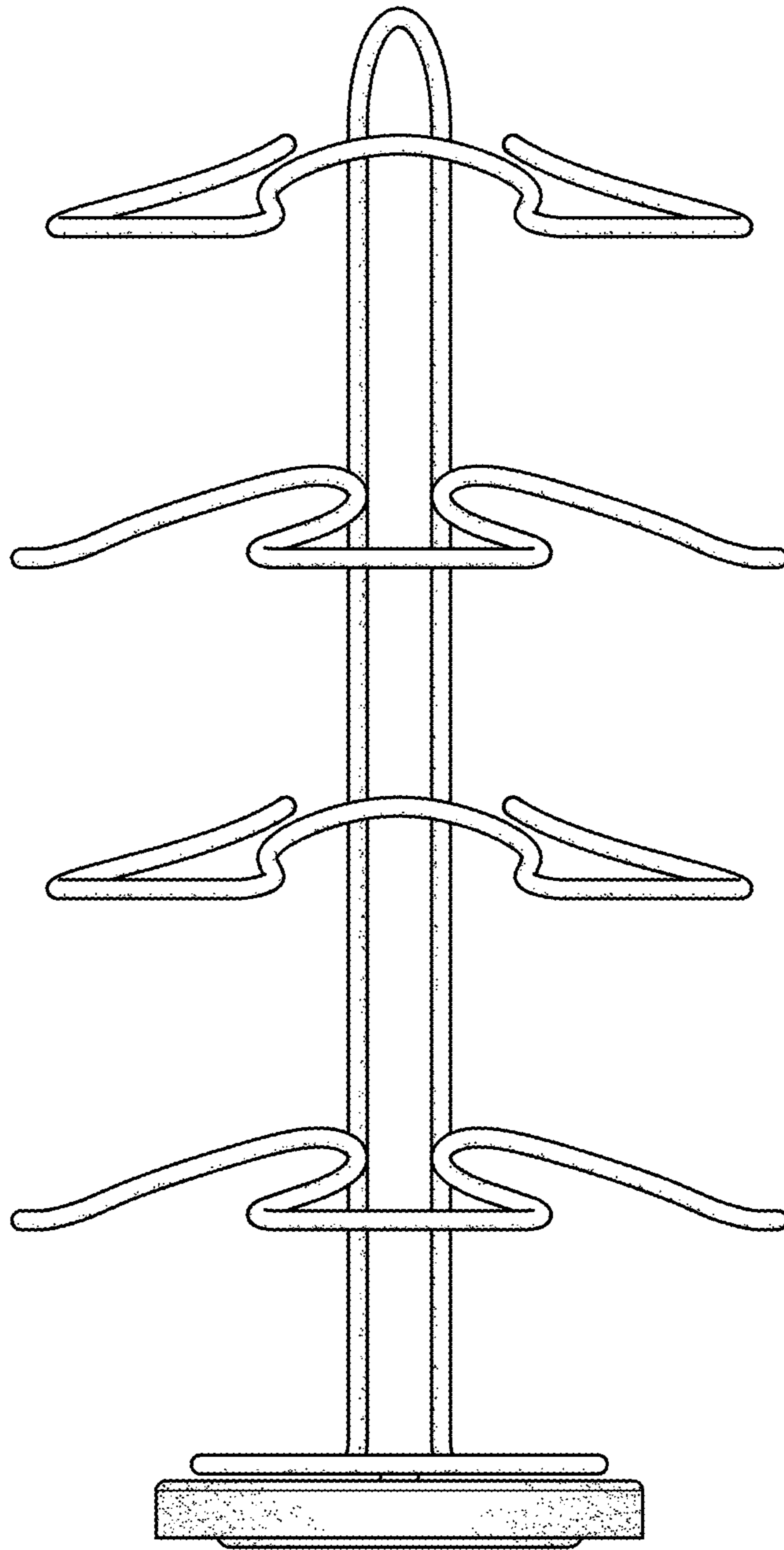


FIG. 2

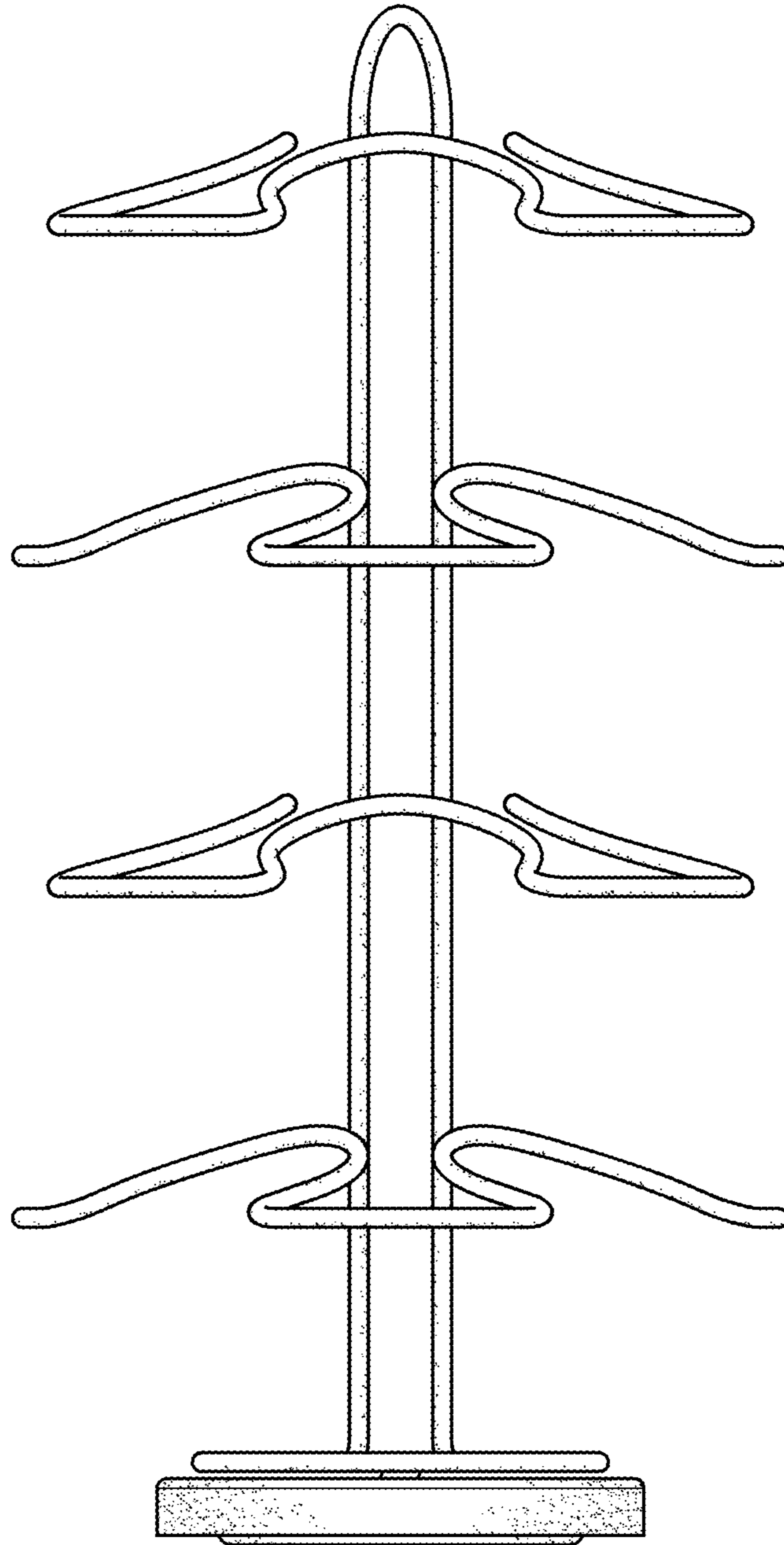


FIG. 3

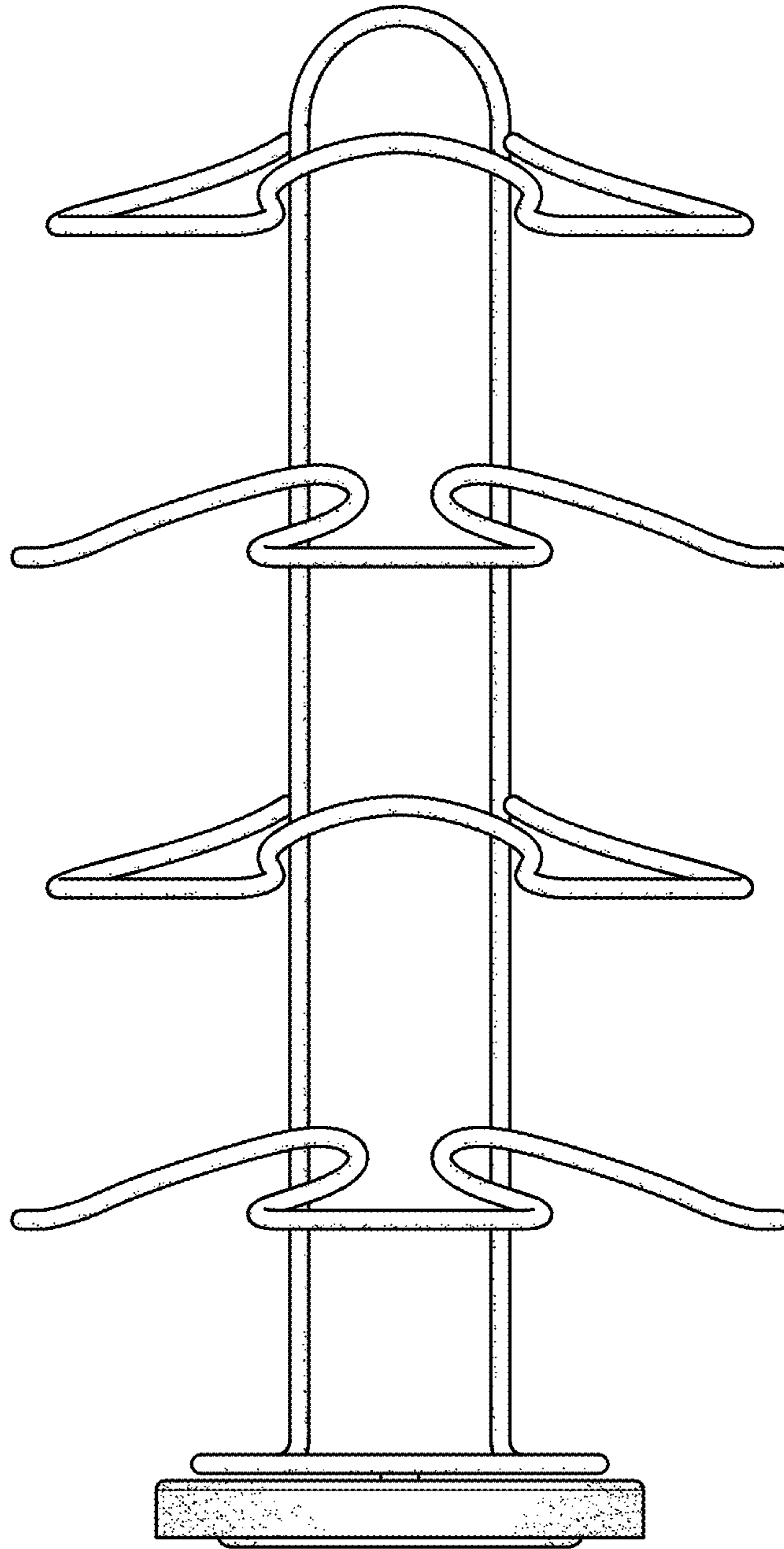


FIG. 4

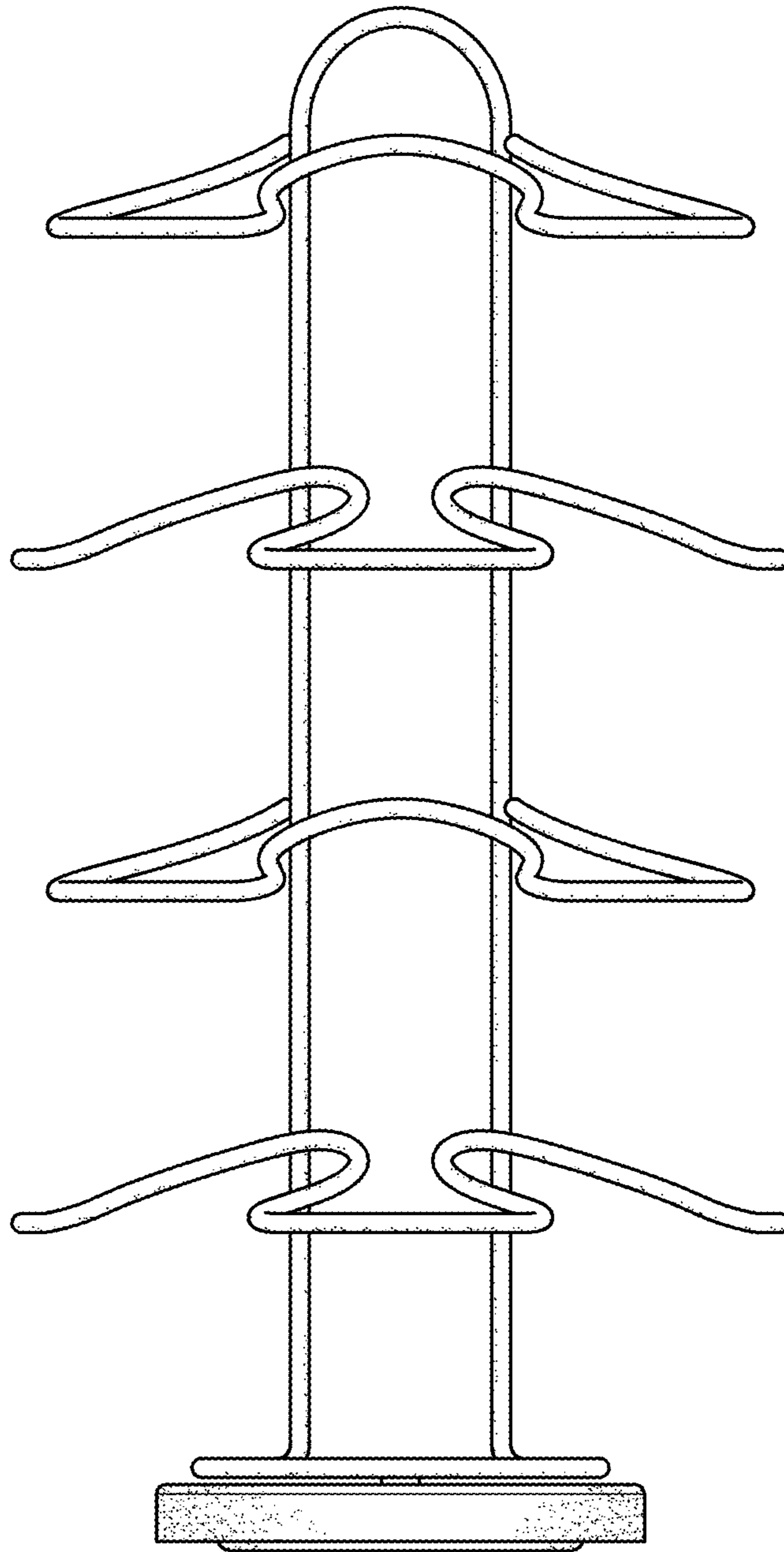


FIG. 5

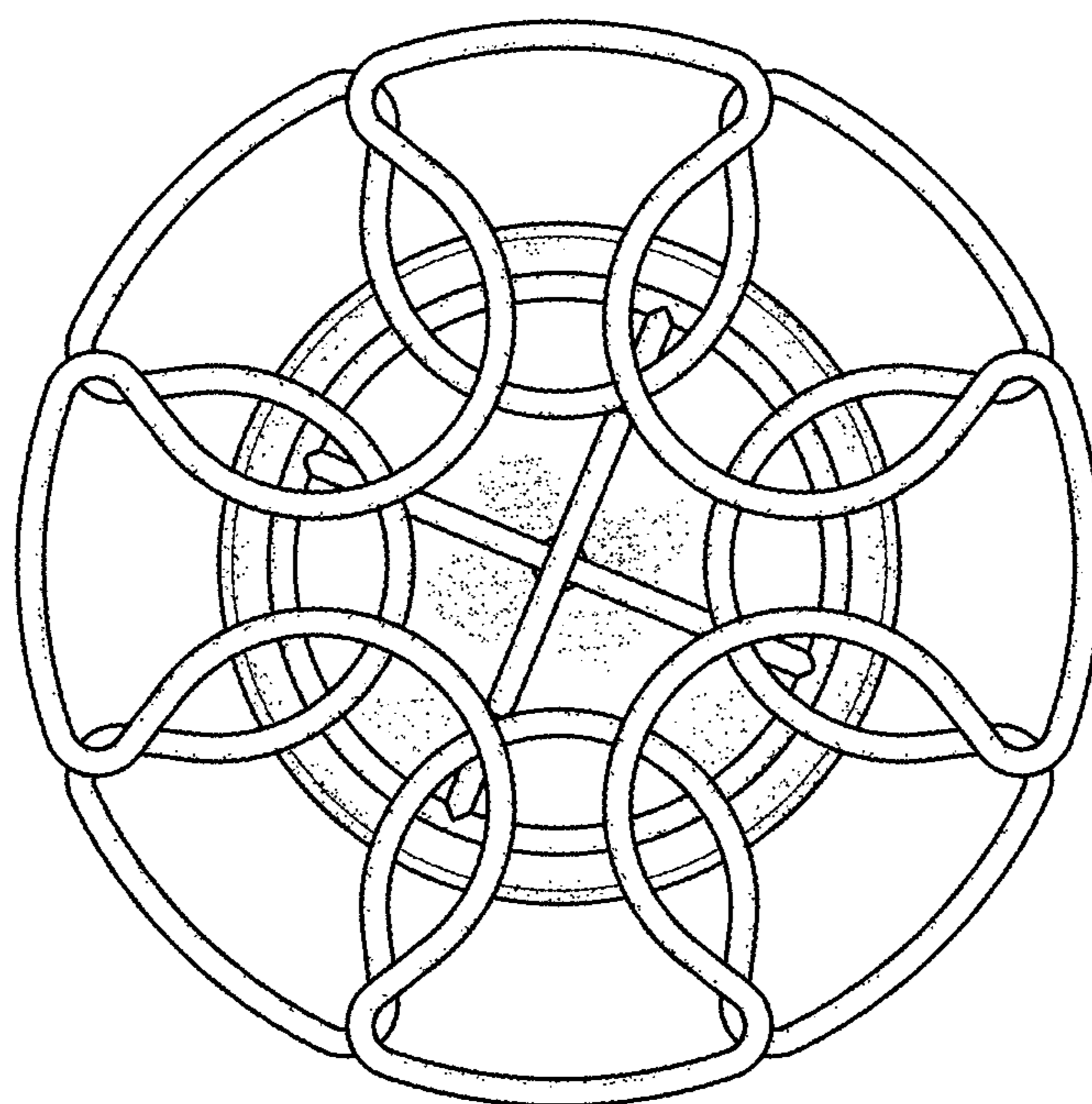


FIG. 6

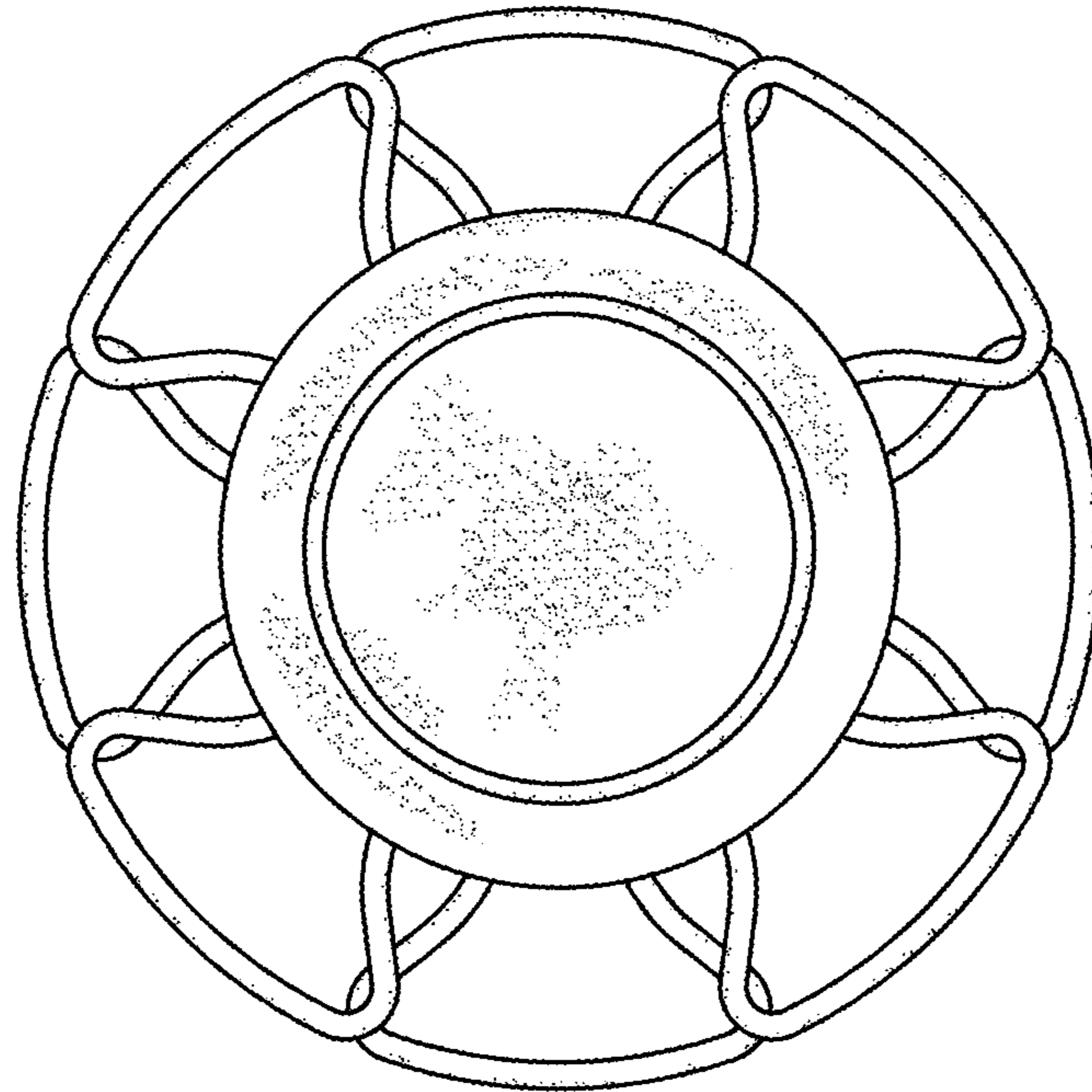


FIG. 7

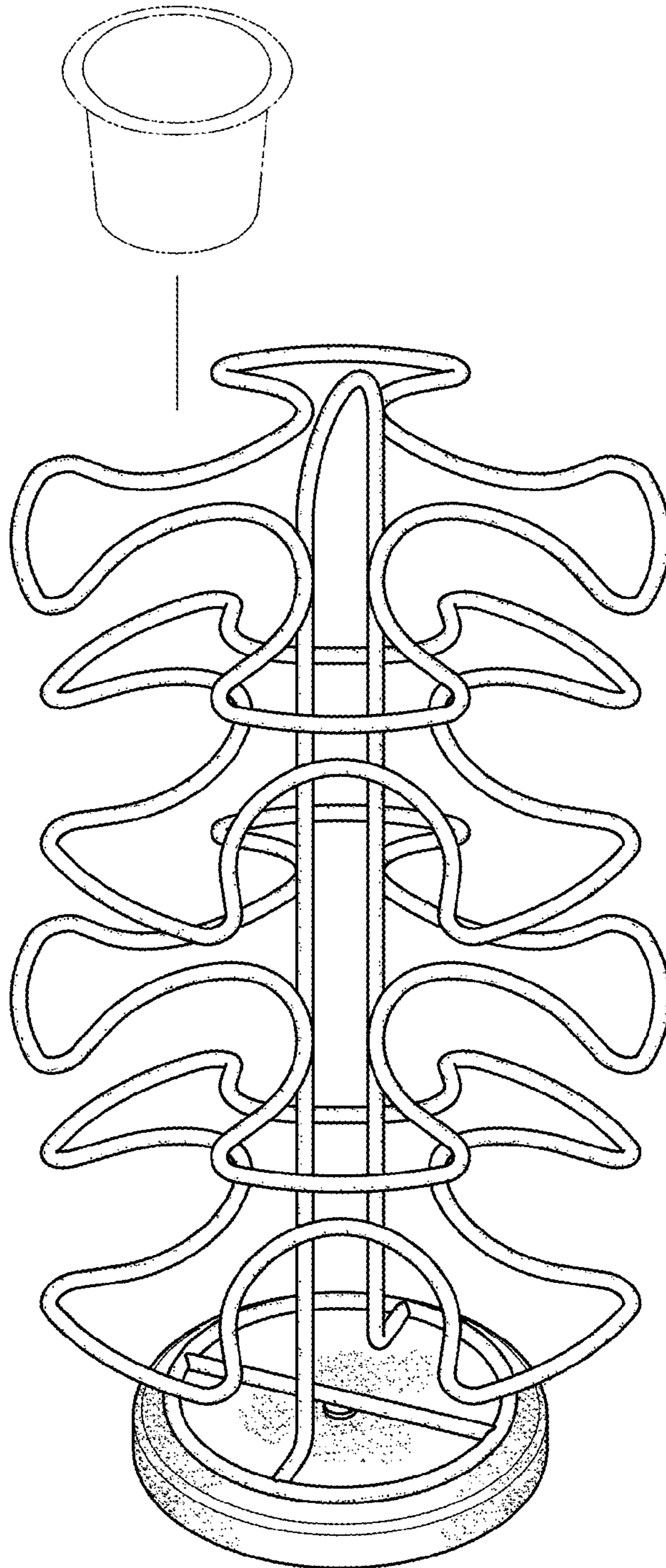


FIG. 8