



US00D680381S

(12) **United States Design Patent**  
**Tsai**

(10) **Patent No.:** **US D680,381 S**

(45) **Date of Patent:** **\*\* Apr. 23, 2013**

(54) **CUP RACK**

(75) Inventor: **Tsung-Yu Tsai**, Changhua County (TW)

(73) Assignee: **Dongguan Master United Plastic & Hardware Products Co., Ltd.**,  
Dongguan, Guandong Province (CN)

(\*\*) Term: **14 Years**

(21) Appl. No.: **29/430,854**

(22) Filed: **Aug. 30, 2012**

(51) **LOC (9) Cl.** ..... **07-06**

(52) **U.S. Cl.**  
USPC ..... **D7/600.1**

(58) **Field of Classification Search** .... D7/600.1–600.4,  
D7/701–708; D3/304, 306, 313, 314; D6/462,  
D6/510; D19/75, 77, 78, 83; 312/330.1,  
312/126.15, 334.27, 334.44, 408, 410; 211/74,  
211/71.01, 181.1, 70.6, 70.7, 13.1

See application file for complete search history.

(56) **References Cited**

U.S. PATENT DOCUMENTS

D433,711	S	*	11/2000	Andujar	.....	D19/78
D472,735	S	*	4/2003	Haugen	.....	D6/462
6,840,593	B2	*	1/2005	Remmers	.....	312/330.1
D547,094	S	*	7/2007	Klein et al.	.....	D6/462
D628,444	S	*	12/2010	Snider	.....	D7/600.1
D628,445	S	*	12/2010	Snider	.....	D7/600.1
2005/0205578	A1	*	9/2005	Yeh	.....	220/485

\* cited by examiner

*Primary Examiner* — Terry Wallace

(74) *Attorney, Agent, or Firm* — Muncy, Geissler, Olds & Lowe, PLLC

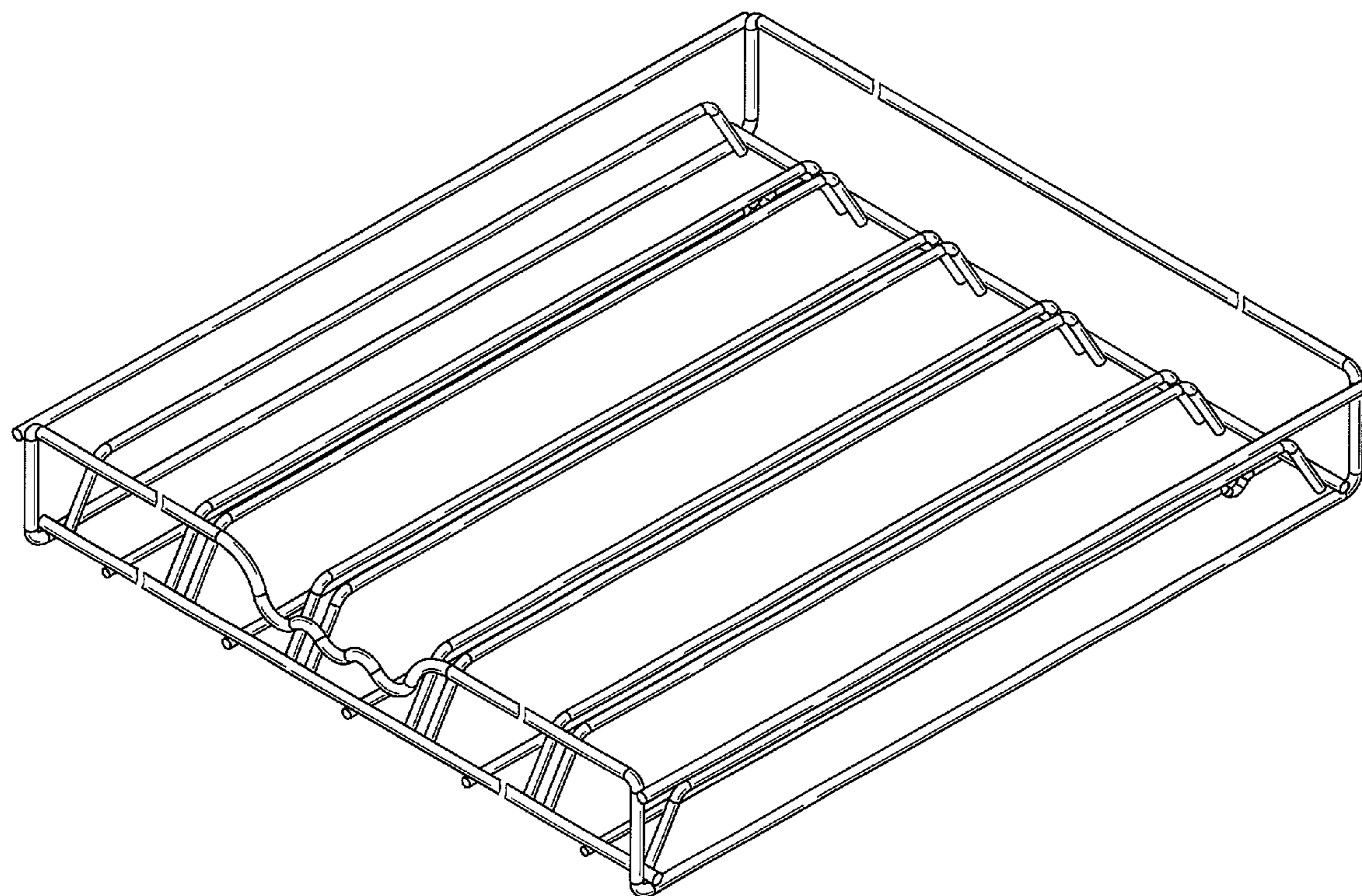
(57) **CLAIM**

The ornamental design for a cup rack, as shown and described.

**DESCRIPTION**

FIG. 1 shows a perspective view of the present design.  
FIG. 2 shows a front view of the present design,  
FIG. 3 shows a rear view of the present design.  
FIG. 4 shows a left side view of the present design  
FIG. 5 shows a right side view of the present design.  
FIG. 6 shows a top view of the present design; and,  
FIG. 7 shows a bottom view of the present design.

**1 Claim, 5 Drawing Sheets**



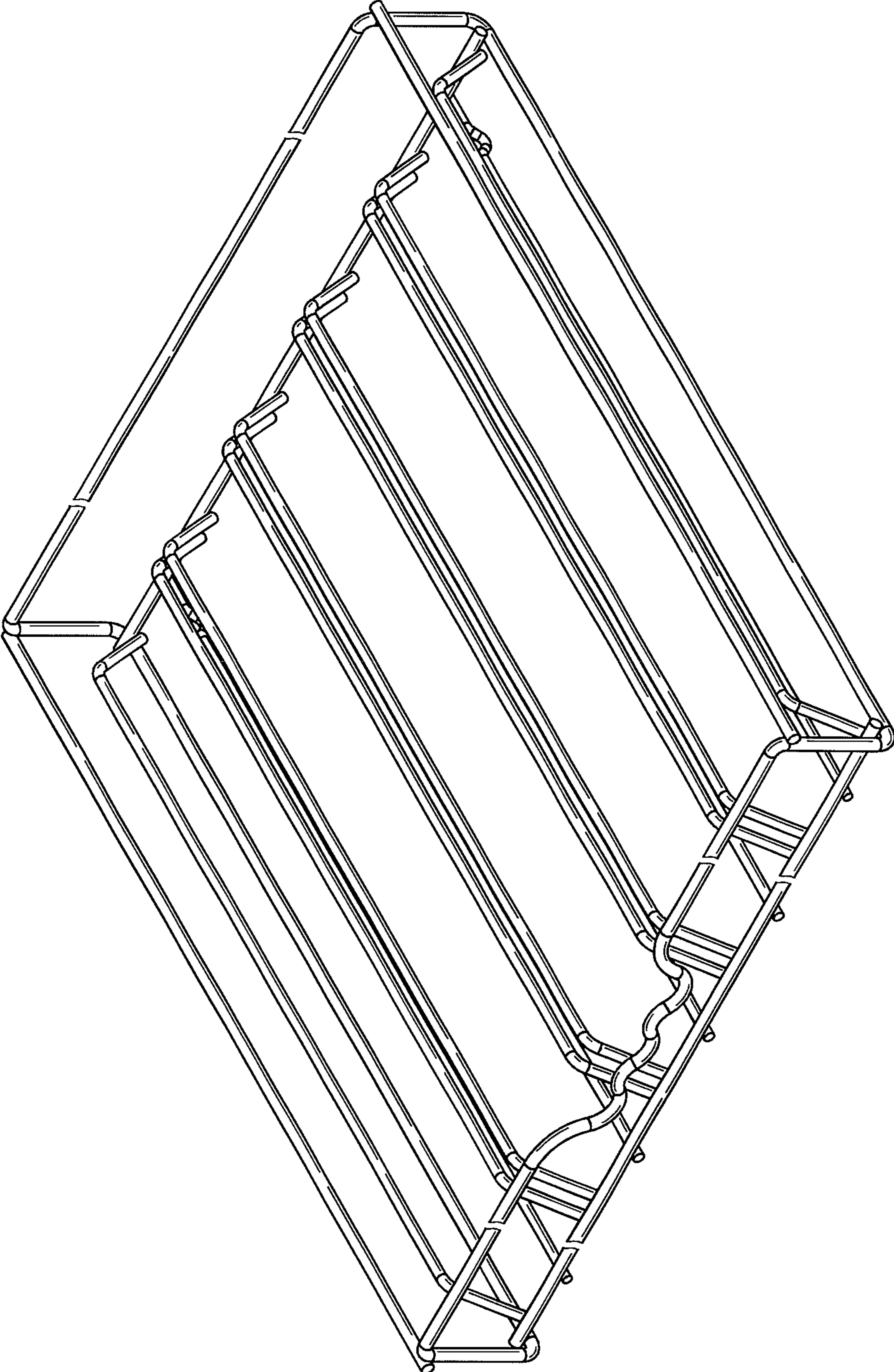


FIG. 1

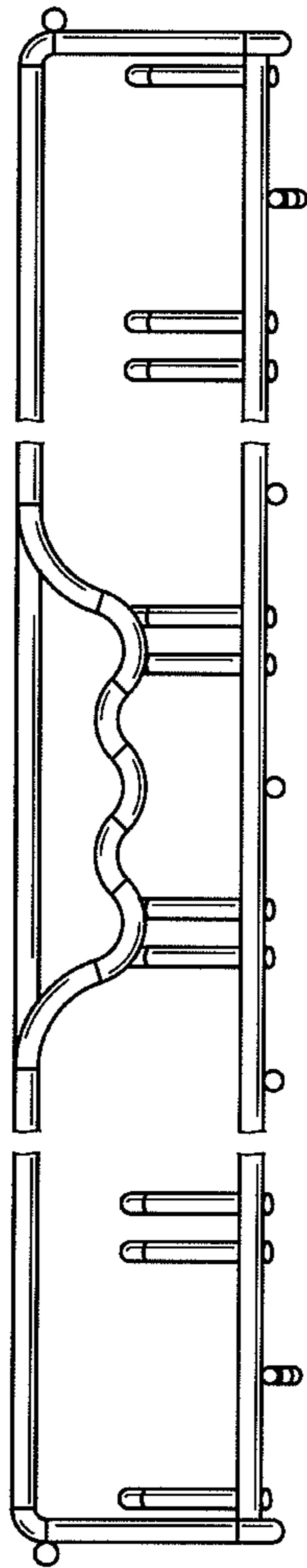


FIG. 2

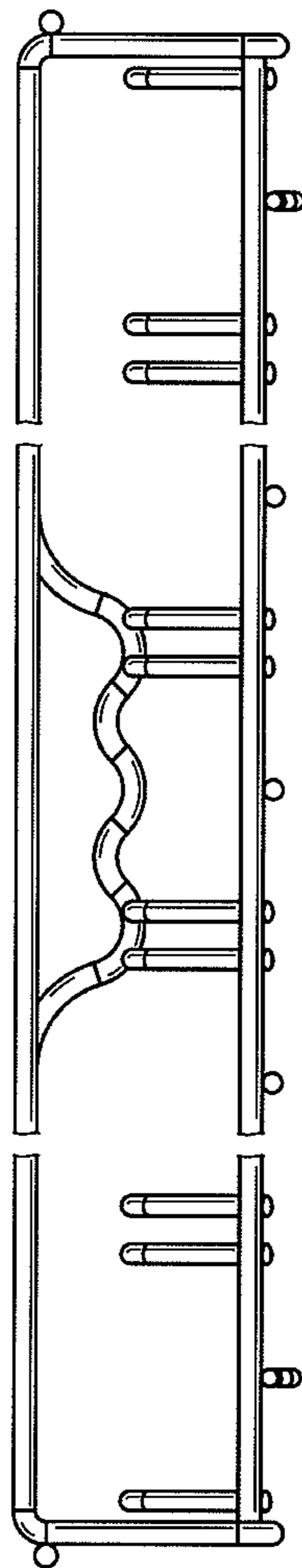


FIG. 3

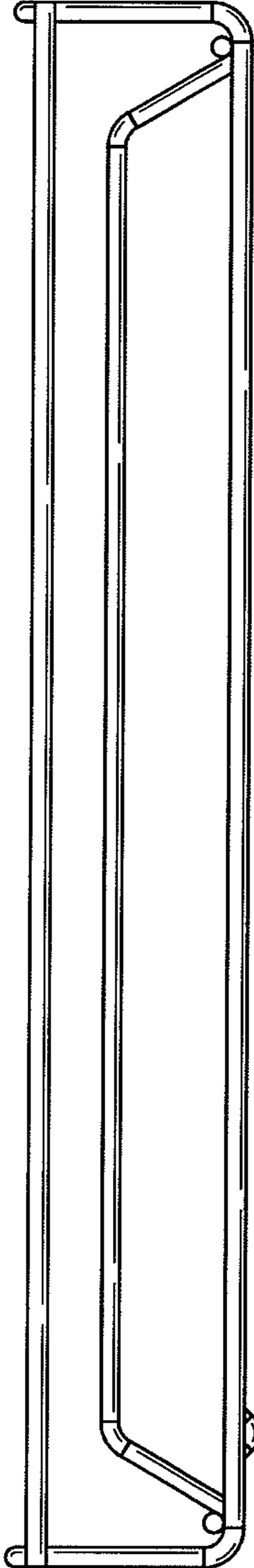


FIG. 4

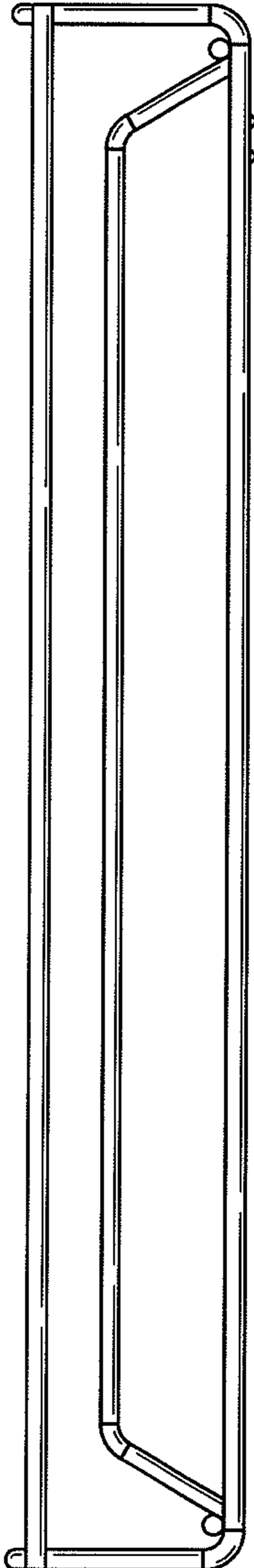


FIG. 5

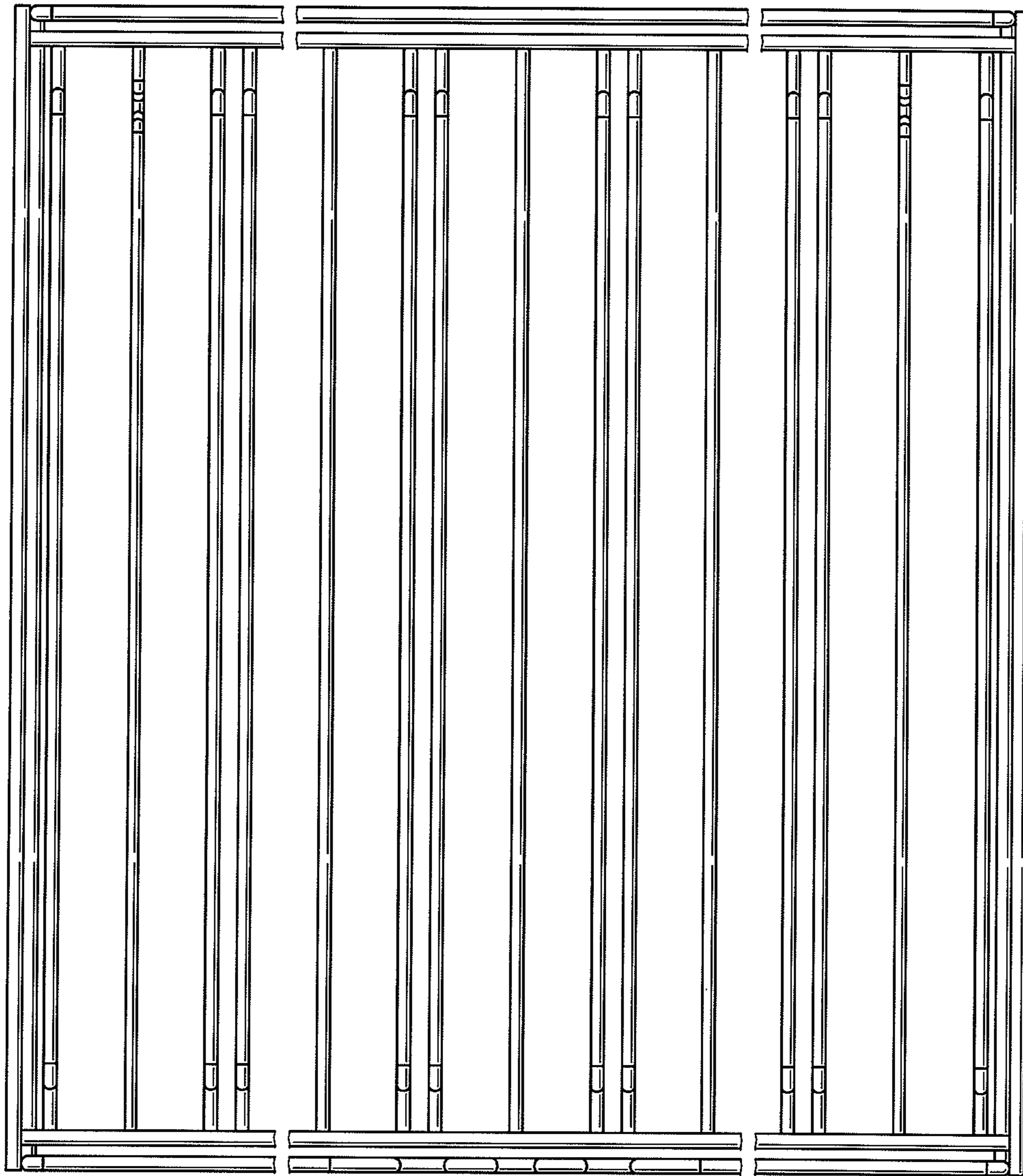


FIG. 6

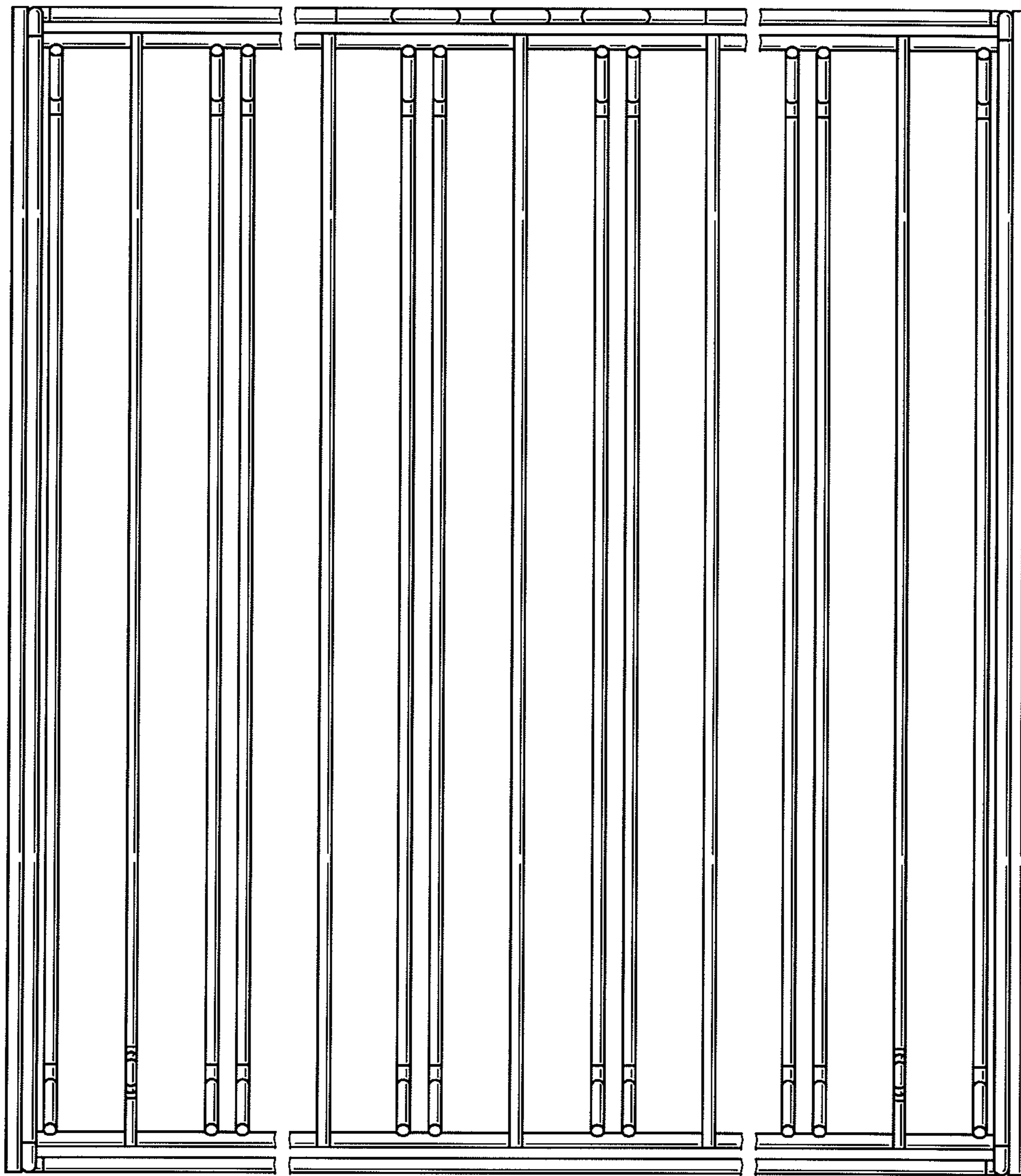


FIG. 7