



US00D680380S

(12) **United States Design Patent**  
**Tiemann**

(10) **Patent No.:** **US D680,380 S**  
(45) **Date of Patent:** **\*\* Apr. 23, 2013**

(54) **COFFEE POD DRAWER WITH MESH BACKING**

(75) Inventor: **Frank R. Tiemann**, Madison Lake, MN (US)

(73) Assignee: **Nifty Home Products, Inc.**, Madison Lake, MN (US)

(\*\*) Term: **14 Years**

(21) Appl. No.: **29/420,240**

(22) Filed: **May 7, 2012**

(51) **LOC (9) Cl.** ..... **07-06**

(52) **U.S. Cl.**  
USPC ..... **D7/600.1**

(58) **Field of Classification Search** ..... D7/600,  
D7/600.1, 600.2, 600.3, 600.4, 392, 397,  
D7/589, 590, 596, 597, 601, 602, 609, 610,  
D7/612, 614, 615, 620-623, 628-632, 637-641,  
D7/701-708, 708.1, 709, 710; D3/275, 295-298,  
D3/306, 307, 313, 315, 319, 201, 276, 283,  
D3/291, 302, 304; D6/436, 449, 458, 462,  
D6/509, 510, 512, 514, 521, 525, 573, 574;  
D19/75, 77, 78, 83, 86, 92; 211/77, 78, 126.11,  
211/126.15, 129.1, 131.1, 133.1, 133.2, 133.4,  
211/133.5, 133.6; 312/323, 330.1, 334.1,  
312/334.27, 408

See application file for complete search history.

(56) **References Cited**

**U.S. PATENT DOCUMENTS**

921,694	A	5/1909	Hall	
2,502,781	A *	4/1950	Erickson	220/491
D433,711	S	11/2000	Andujar	
D434,074	S *	11/2000	Hardy	D19/75
6,840,593	B2	1/2005	Remmers	
D525,488	S	7/2006	McWhorter	
D547,094	S	7/2007	Klein et al.	
7,270,245	B2 *	9/2007	Cheng et al.	220/62.1

D579,246	S *	10/2008	Snider	D6/510
D588,839	S *	3/2009	Klein et al.	D6/462
D628,444	S	12/2010	Snider	
D628,445	S	12/2010	Snider	
D643,686	S	8/2011	Tiemann	
D644,069	S	8/2011	Tiemann	
D644,491	S *	9/2011	Snider	D7/600.1
D659,481	S	5/2012	Tiemann	
D659,482	S *	5/2012	Snider	D7/600.1
D660,088	S	5/2012	Tiemann	
D660,652	S	5/2012	Tiemann	

(Continued)

*Primary Examiner* — Ian Simmons

*Assistant Examiner* — Shannon Weekley

(74) *Attorney, Agent, or Firm* — Thomas J. Nikolai; Nikolai & Mersereau, P.A.

(57) **CLAIM**

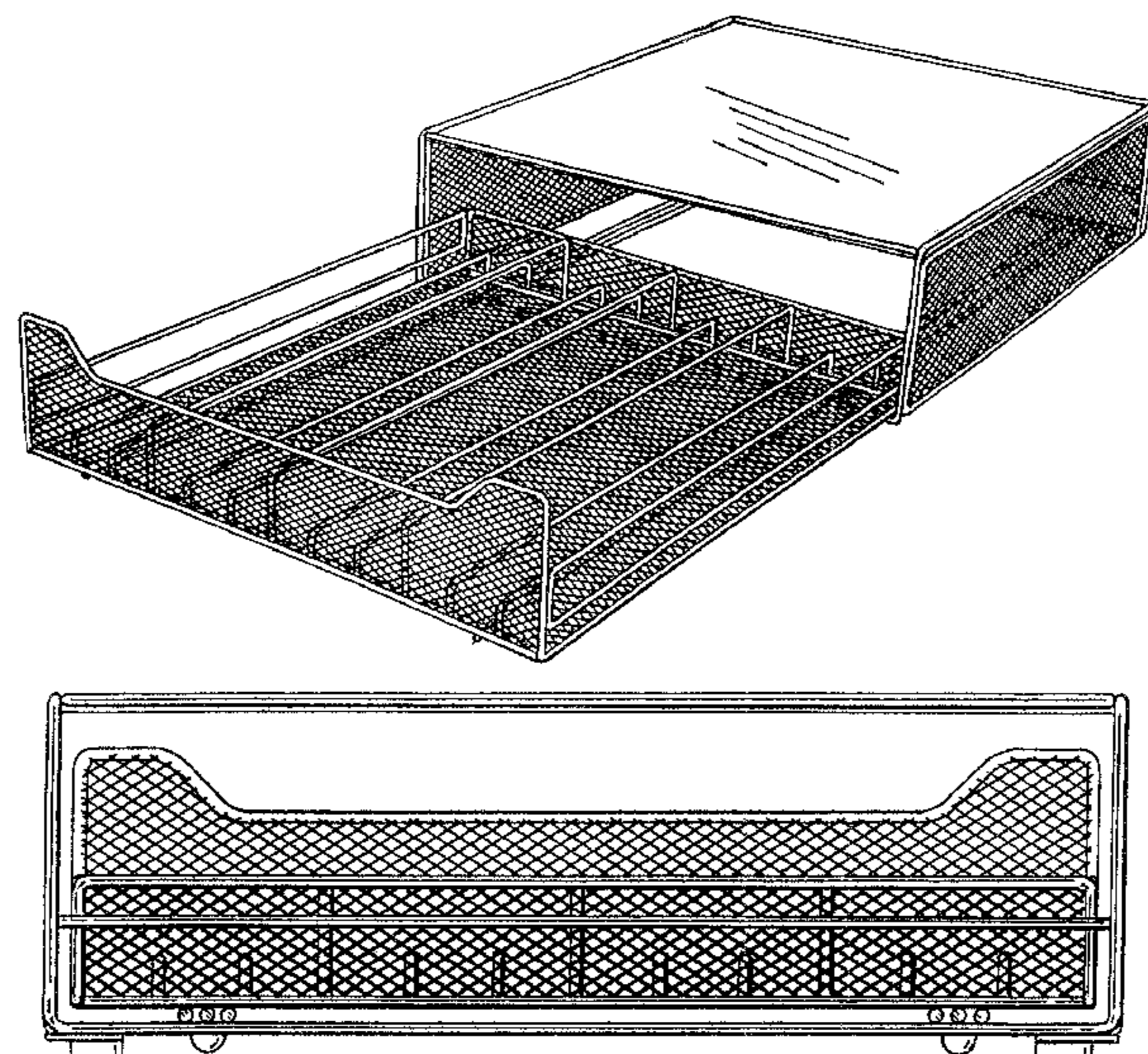
The ornamental design for a “coffee pod drawer with mesh backing,” as shown and described.

**DESCRIPTION**

FIG. 1 is a front perspective view of a coffee pod drawer with mesh backing showing my new design with its drawer closed; FIG. 2 is a front perspective view thereof with the drawer open; FIG. 3 is a front perspective view thereof with the drawer open and coffee pods shown in phantom; FIG. 4 is a top plan view thereof; FIG. 5 is a front view thereof; FIG. 6 is a right side view thereof; FIG. 7 is a rear view thereof; FIG. 8 is a left side view thereof; and, FIG. 9 is a bottom view thereof.

The broken lines shown in FIG. 3 of the “coffee pod drawer with mesh backing,” which are immediately adjacent to claimed surfaces, are directed to the environment and are for illustrative purposes only; the broken lines form no part of the claimed design.

**1 Claim, 4 Drawing Sheets**



# US D680,380 S

Page 2

---

U.S. PATENT DOCUMENTS

2005/0205578 A1 9/2005 Yeh

D661,951 S 6/2012 Tiemann

D665,230 S \* 8/2012 Snider ..... D7/600.1 \* cited by examiner



FIG. 1

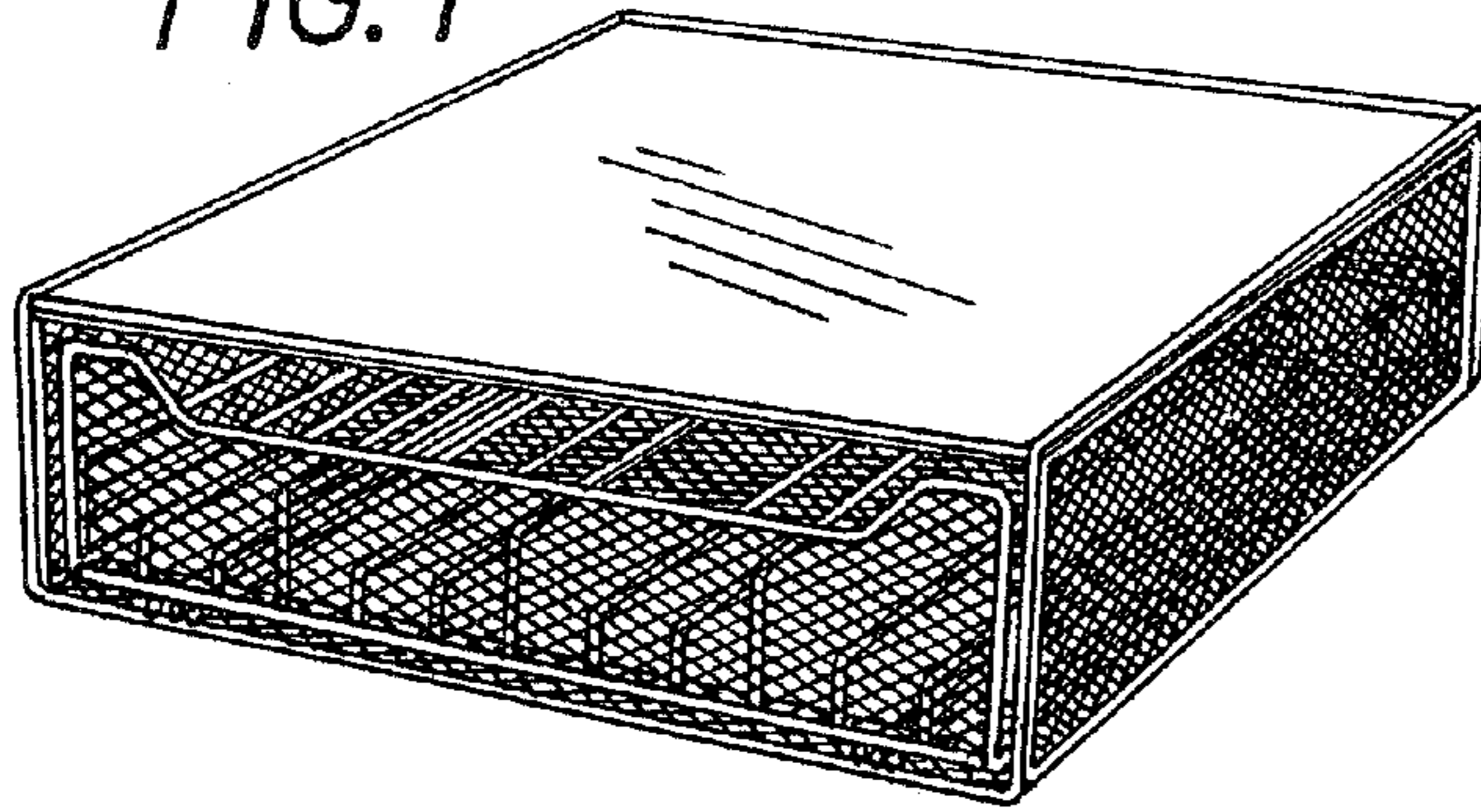


FIG. 2

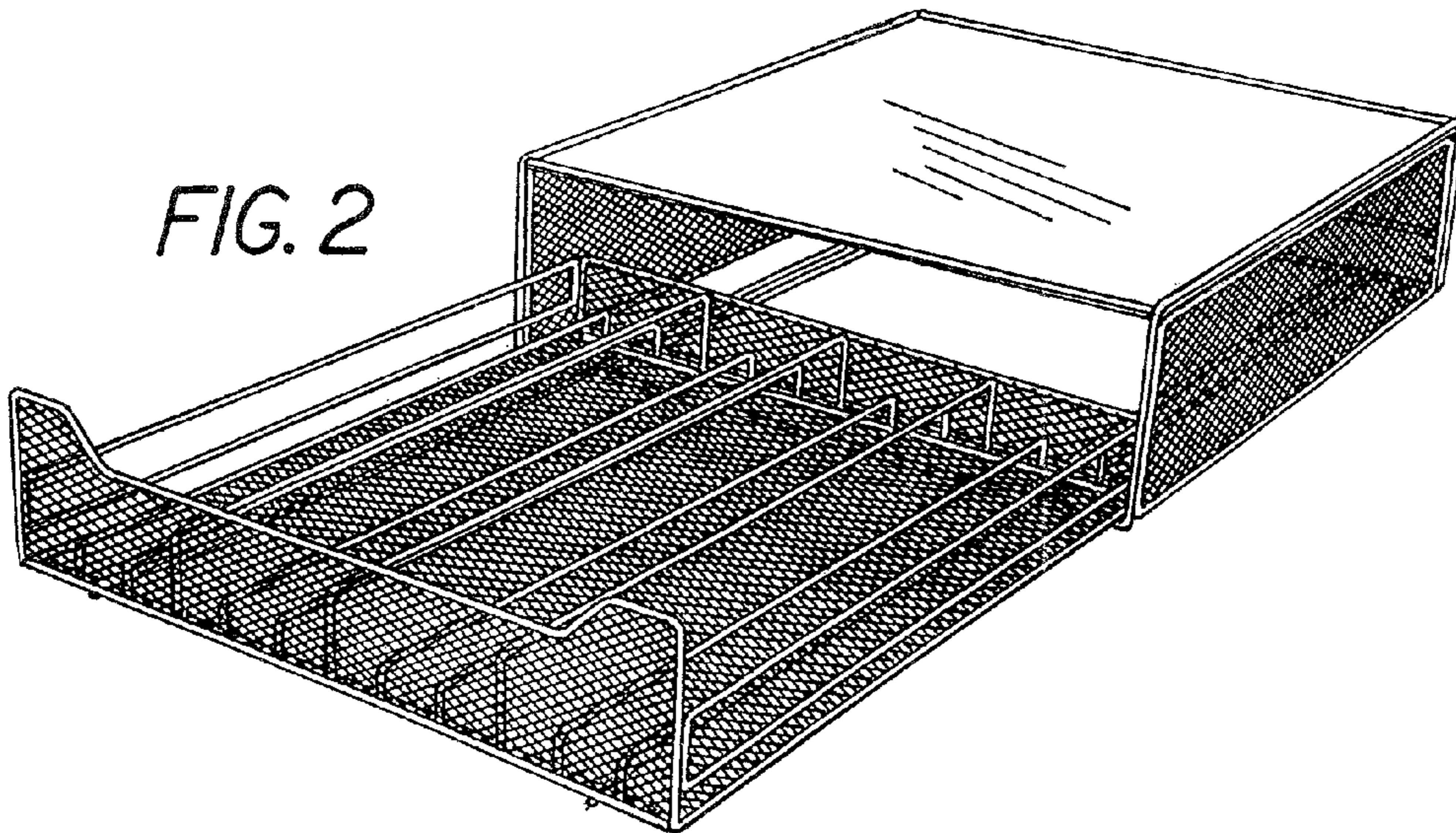


FIG. 3

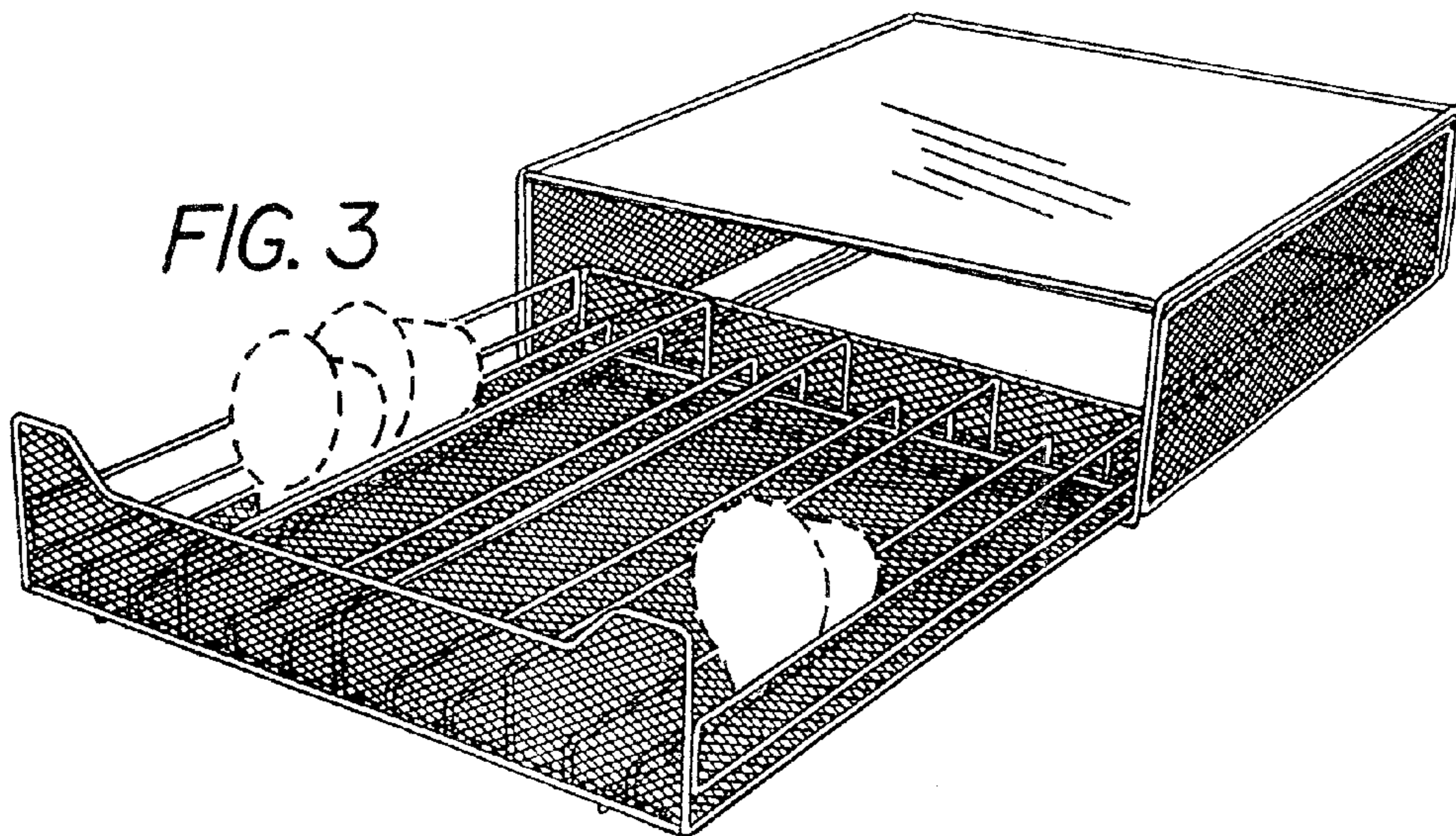


FIG. 4

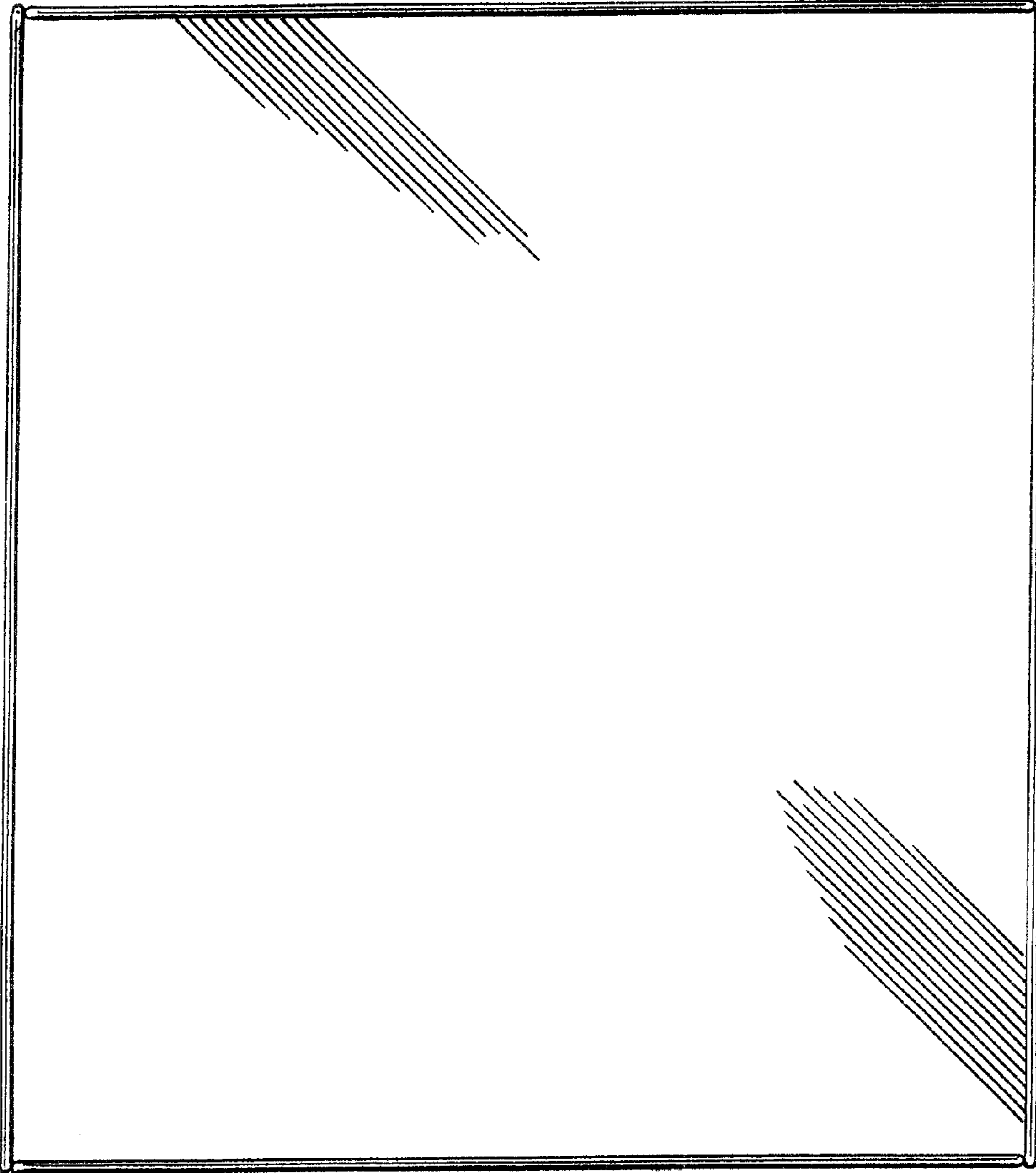


FIG. 5

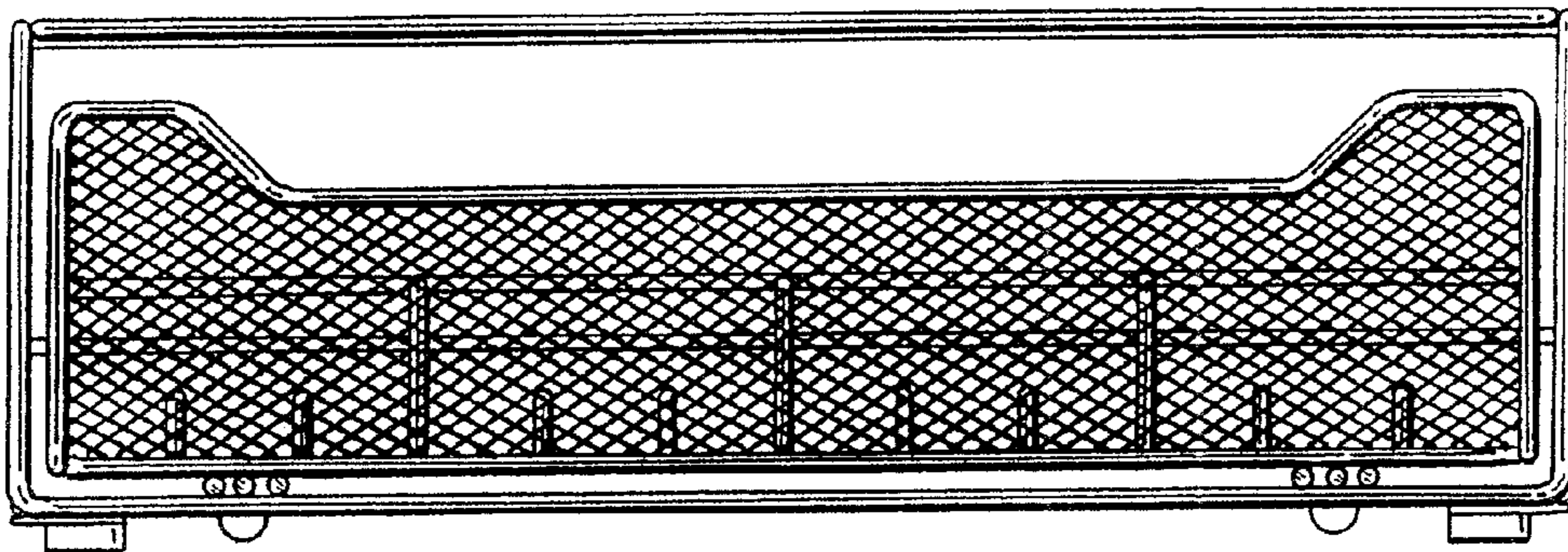




FIG. 6

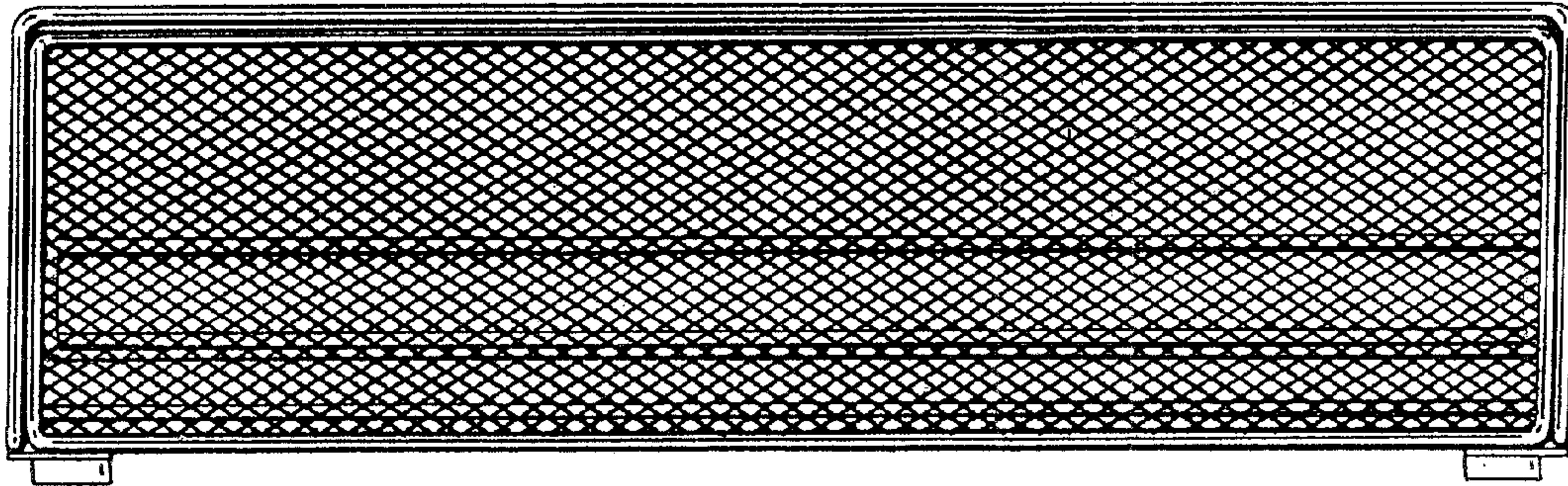


FIG. 7

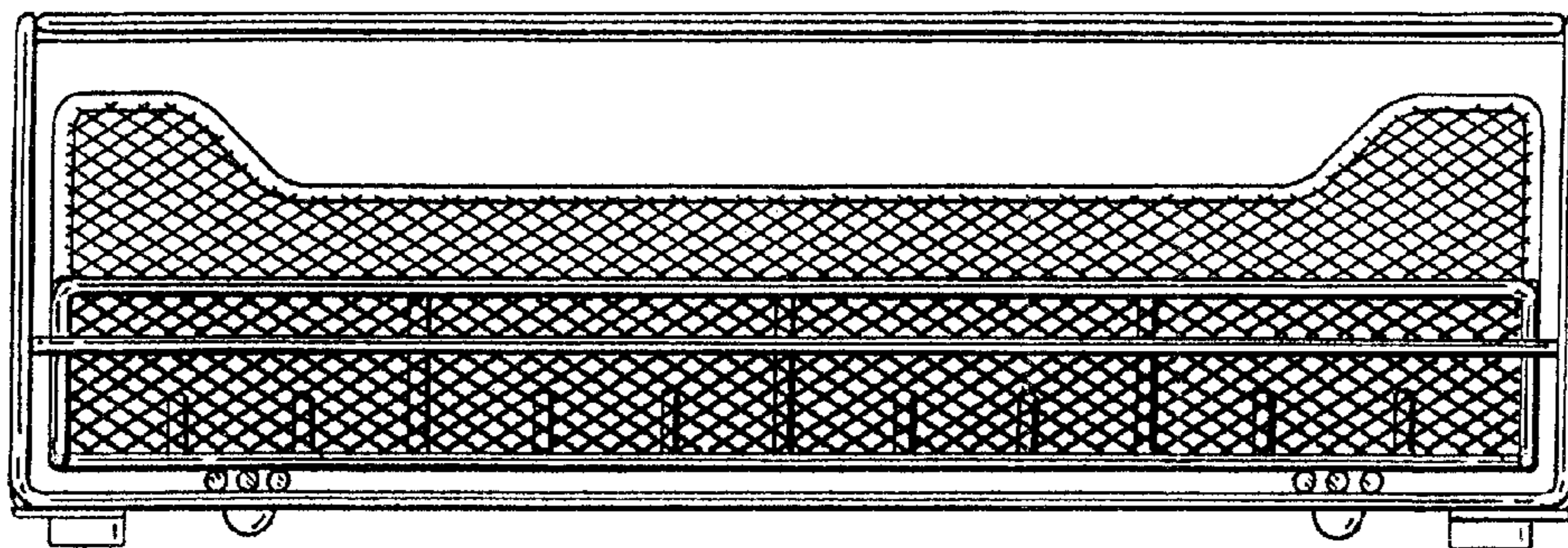


FIG. 8

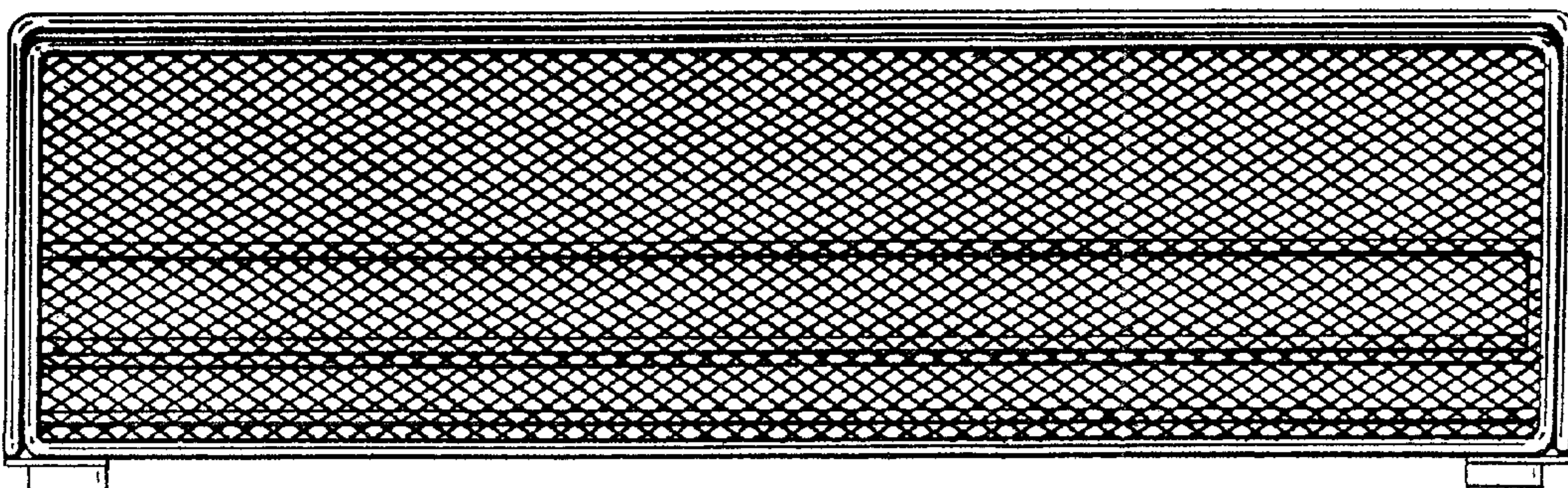




FIG. 9

