



US00D680379S

(12) **United States Design Patent**
Lackey

(10) **Patent No.:** **US D680,379 S**

(45) **Date of Patent:** **** Apr. 23, 2013**

(54) **CONDIMENT TRAY**

(75) Inventor: **James K. Lackey**, Blanchard, OK (US)

(73) Assignee: **O Tray Corporation**, Oklahoma City, OK (US)

(**) Term: **14 Years**

(21) Appl. No.: **29/427,002**

(22) Filed: **Jul. 12, 2012**

(51) **LOC (9) Cl.** **07-01**

(52) **U.S. Cl.**
USPC **D7/553.2**

(58) **Field of Classification Search** D3/313,
D3/315; D7/552.1, 553.1, 553.3–553.4,
D7/555, 549, 701, 553.2; D6/406.1, 406.3,
D6/336; 296/37.1; 270/524, 556, 737;
215/394–395, 536–539
See application file for complete search history.

(56) **References Cited**

U.S. PATENT DOCUMENTS

D145,764 S *	10/1946	Zelov	D7/549
D214,459 S	6/1969	Stageberg		
D214,523 S	6/1969	Stone		
3,501,044 A	3/1970	Stone		
D267,848 S	2/1983	Dowling		
D396,956 S *	8/1998	Iversen et al.	D3/313
D430,457 S *	9/2000	Maniaci	D7/549
D435,196 S *	12/2000	Gregor et al.	D7/552.1
D436,500 S *	1/2001	Kearney	D7/553.5
D455,316 S *	4/2002	Carpenter	D7/549

D479,439 S *	9/2003	Joss et al.	D7/553.4
D492,195 S *	6/2004	Shabaz	D9/737
6,920,830 B1	7/2005	Asbach et al.		
D519,787 S *	5/2006	Kilders	D7/549
D575,585 S *	8/2008	Geens	D7/553.2
D591,560 S *	5/2009	Lackey et al.	D7/553.8
D606,885 S *	12/2009	Olsson	D9/761
D611,306 S *	3/2010	Zack et al.	D7/551.1
D618,476 S *	6/2010	Maddux	D6/491
D651,047 S *	12/2011	Johnson et al.	D7/553.1
2004/0251255 A1	12/2004	Azzar		
2005/0244550 A1	11/2005	Penfold et al.		
2007/0114143 A1	5/2007	Miskin		
2007/0295325 A1	12/2007	Esparza et al.		
2010/0139907 A1	6/2010	Kohl et al.		

* cited by examiner

Primary Examiner — Kelley Donnelly

(74) *Attorney, Agent, or Firm* — Hall Estill, et al.; Bill D. McCarthy

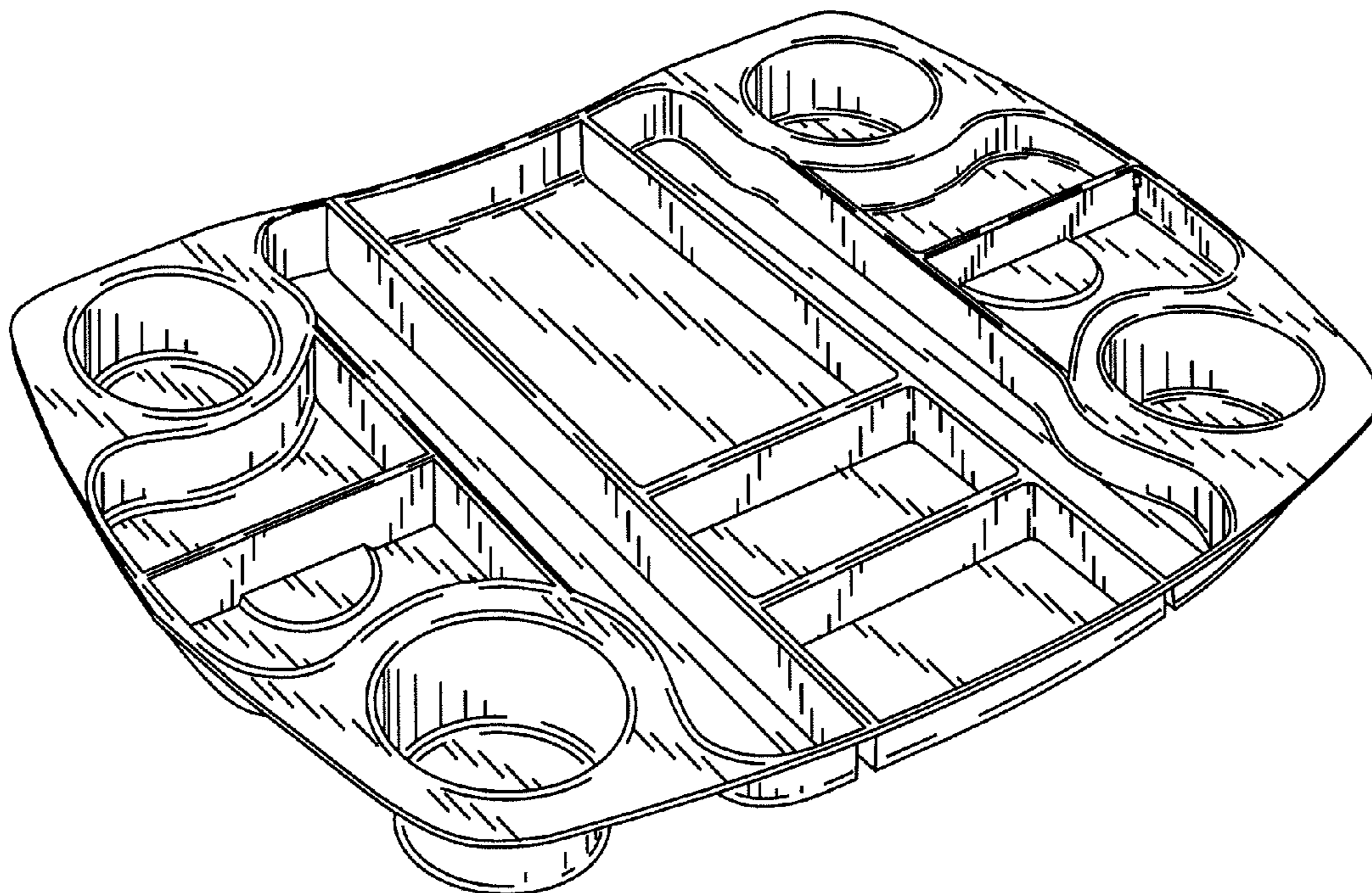
(57) **CLAIM**

The ornamental design for a condiment tray, as shown and described.

DESCRIPTION

FIG. 1 is a top perspective view of the condiment tray; FIG. 2 is a top plan view thereof; FIG. 3 is a bottom plan view thereof; FIG. 4 is a right side elevational view thereof; FIG. 5 is a left side elevational view thereof; FIG. 6 is a front elevational view thereof; and, FIG. 7 is a rear elevational view thereof.

1 Claim, 3 Drawing Sheets



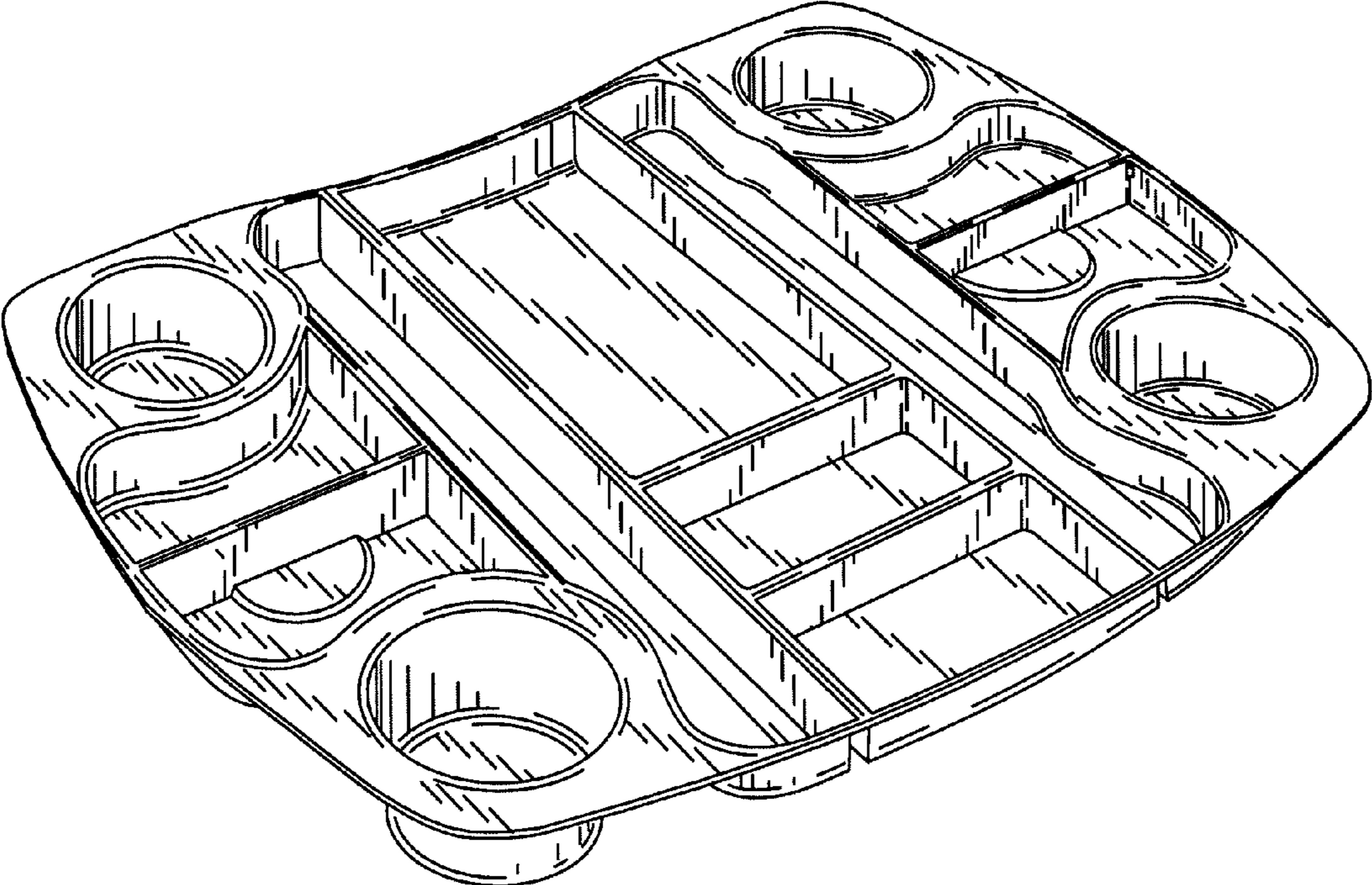


FIG. 1

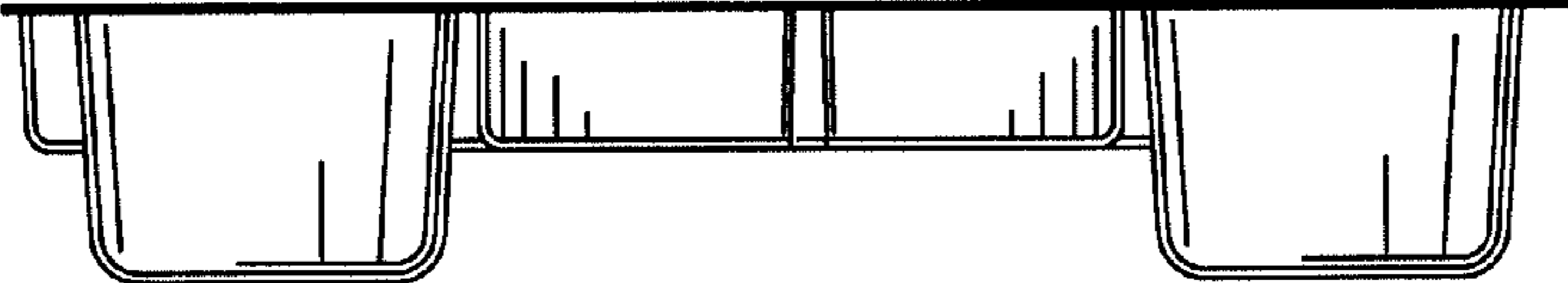


FIG. 4

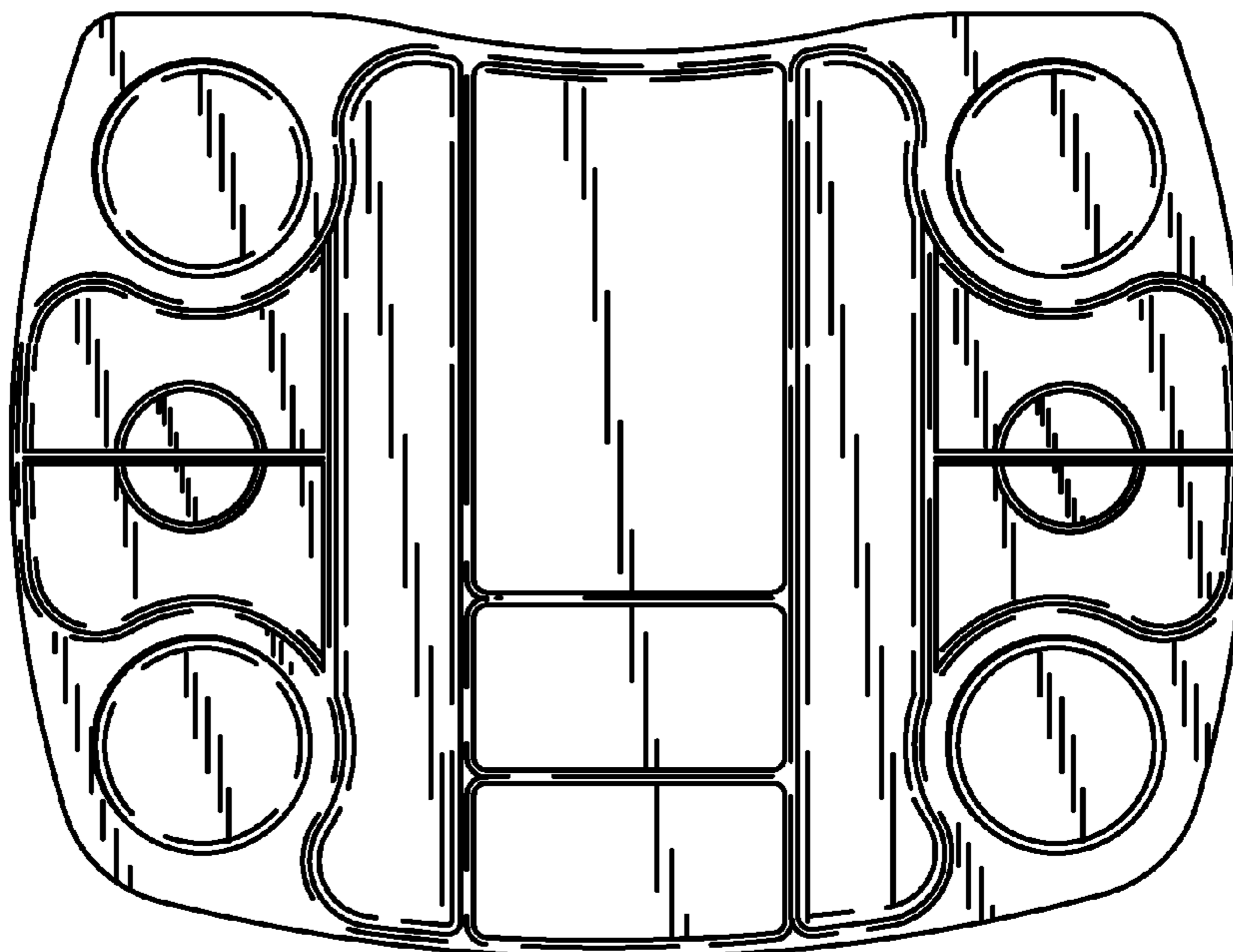


FIG. 2

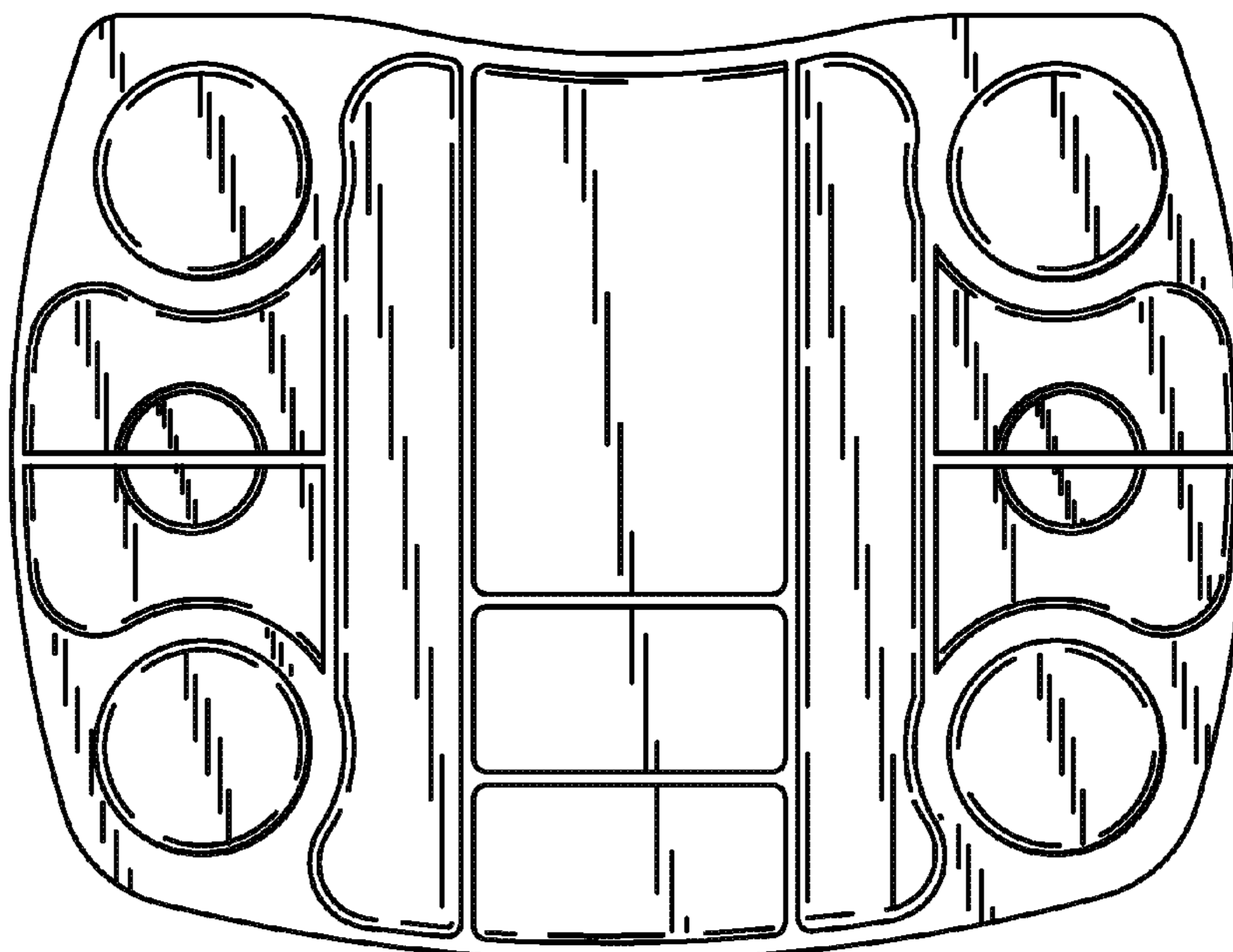


FIG. 3

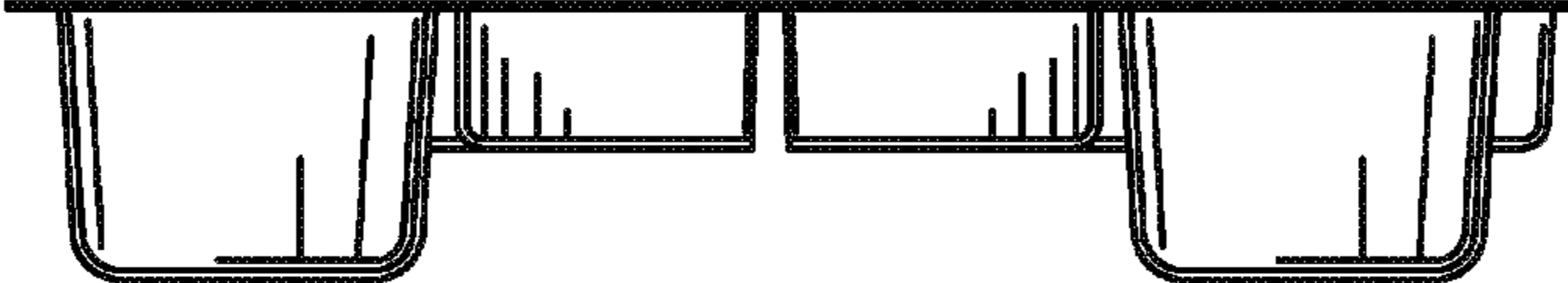


FIG. 5

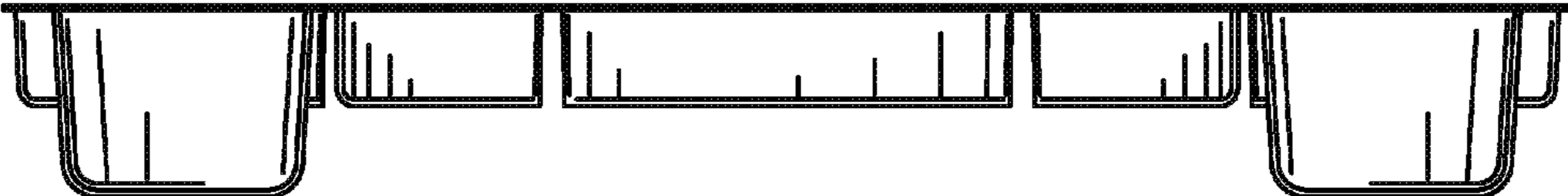


FIG. 6

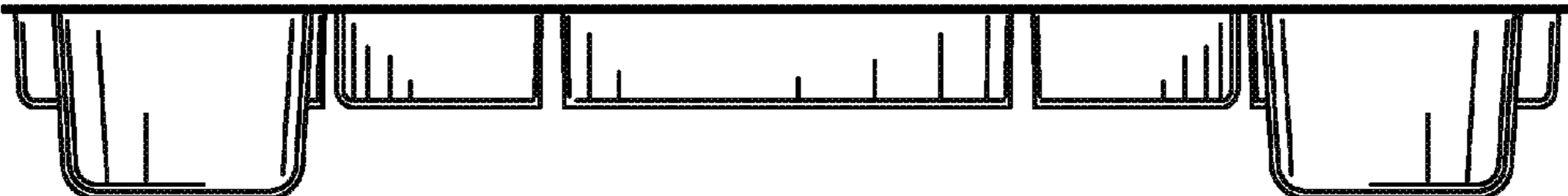


FIG. 7