



US00D680378S

(12) **United States Design Patent**
Romley

(10) **Patent No.:** **US D680,378 S**

(45) **Date of Patent:** **** Apr. 23, 2013**

(54) **MUG**

(71) Applicant: **Michael Romley**, Phoenix, AZ (US)

(72) Inventor: **Michael Romley**, Phoenix, AZ (US)

(**) Term: **14 Years**

(21) Appl. No.: **29/436,439**

(22) Filed: **Nov. 6, 2012**

(51) **LOC (9) Cl.** **07-01**

(52) **U.S. Cl.**
USPC **D7/536; D7/532**

(58) **Field of Classification Search** D7/515,
D7/514, 532, 533, 510, 511, 619.1, 512, 509,
D7/523, 536, 524, 537, 528; D9/429, 502,
D9/538, 524; 215/13.1, 12.1, 10, 377; 229/400;
206/519; 220/630; D24/197

See application file for complete search history.

(56) **References Cited**

U.S. PATENT DOCUMENTS

D217,011 S * 3/1970 Hardle D7/622
D293,293 S * 12/1987 Isles D7/396.6

D363,415 S * 10/1995 Carlson D7/536
D406,725 S * 3/1999 Joergensen D7/400
D482,237 S * 11/2003 Wellner D7/509
D552,932 S * 10/2007 Carlson D7/536
D635,401 S * 4/2011 DeVecchio D7/536
8,028,850 B2 * 10/2011 Zimmerman 220/23.89

* cited by examiner

Primary Examiner — Marianne Pandozzi

(74) *Attorney, Agent, or Firm* — Venable, Campillo, Logan & Meaney, P.C.

(57) **CLAIM**

The ornamental design for a mug, as shown and described.

DESCRIPTION

FIG. 1 is a top front perspective view of a mug embodying the new design;

FIG. 2 is a side view of the mug of FIG. 1;

FIG. 3 is a front view of FIG. 1;

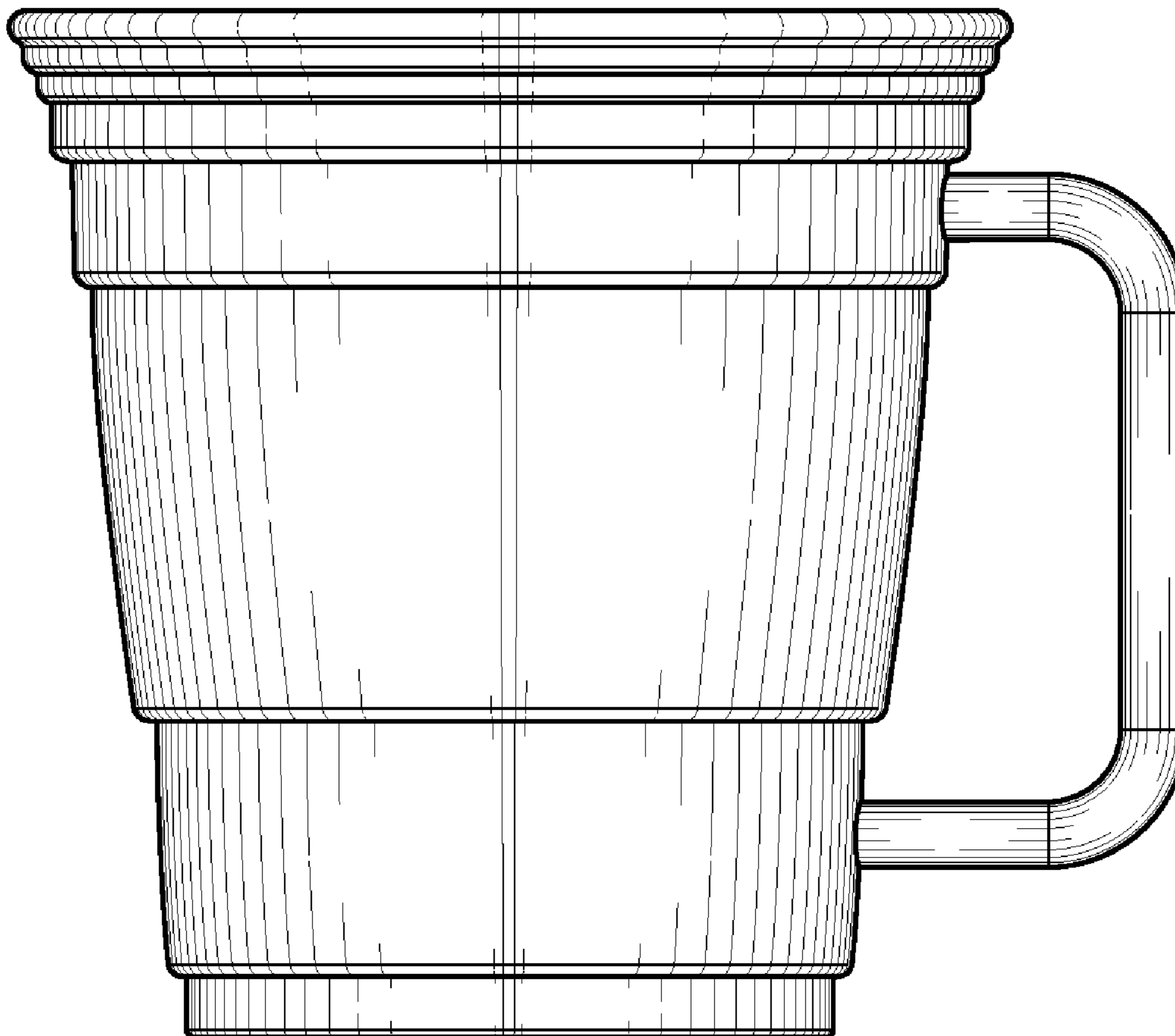
FIG. 4 is a rear view of FIG. 1;

FIG. 5 is a top view of the mug of FIG. 1;

FIG. 6 is a bottom view of the mug of FIG. 1; and,

FIG. 7 is a sectional view taken along line 7-7 of FIG. 5.

1 Claim, 4 Drawing Sheets



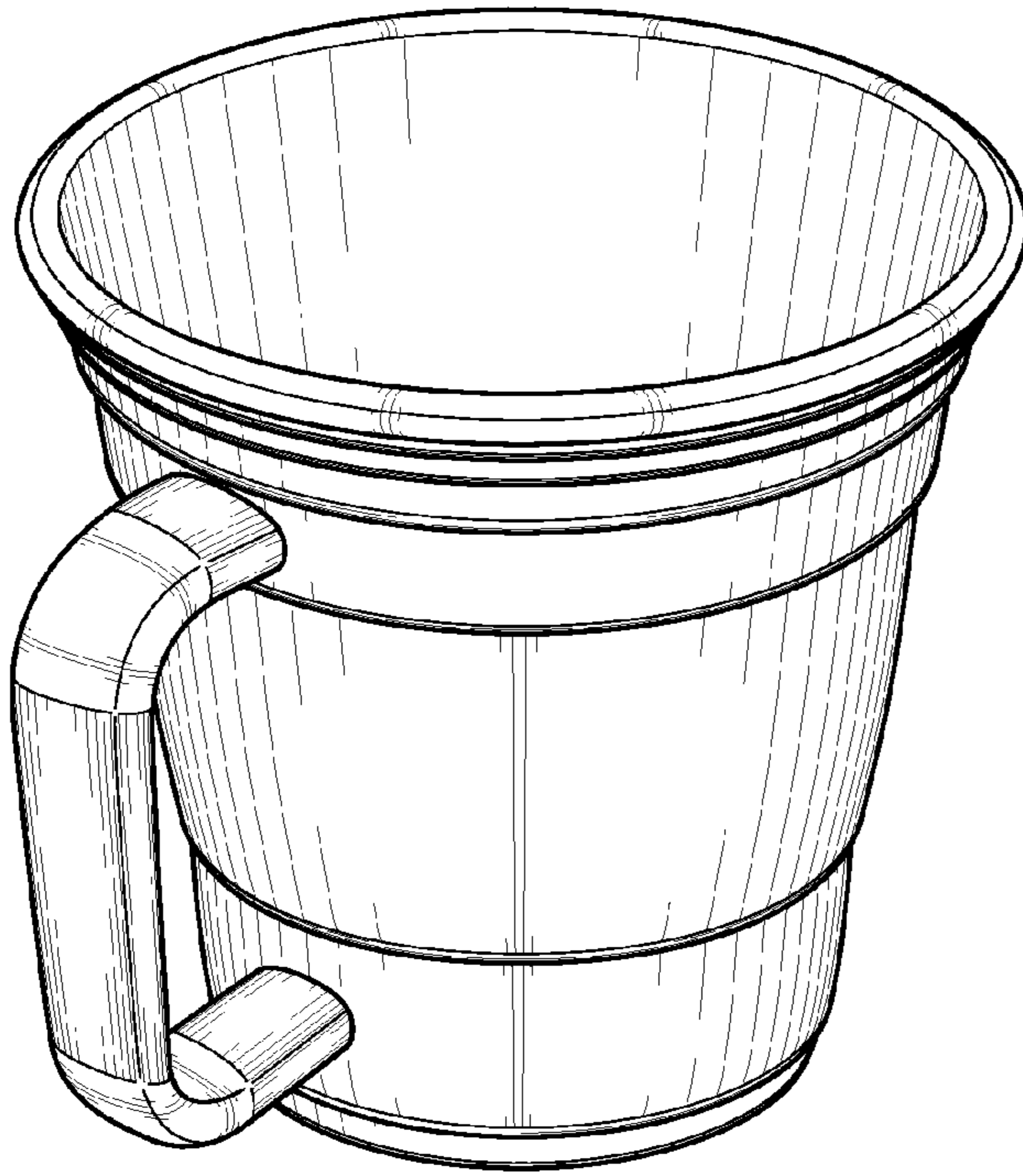


FIG. 1

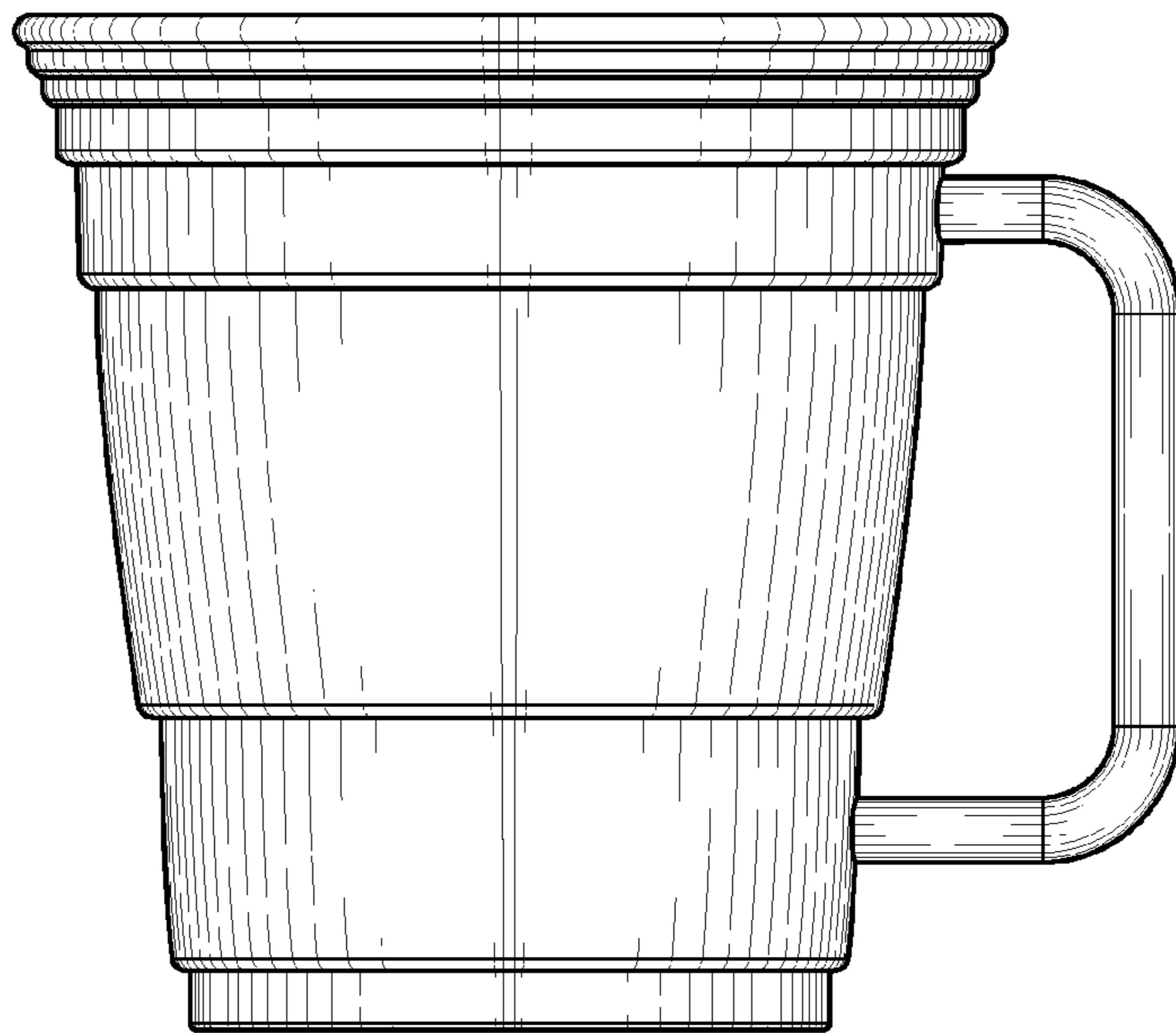


FIG. 2

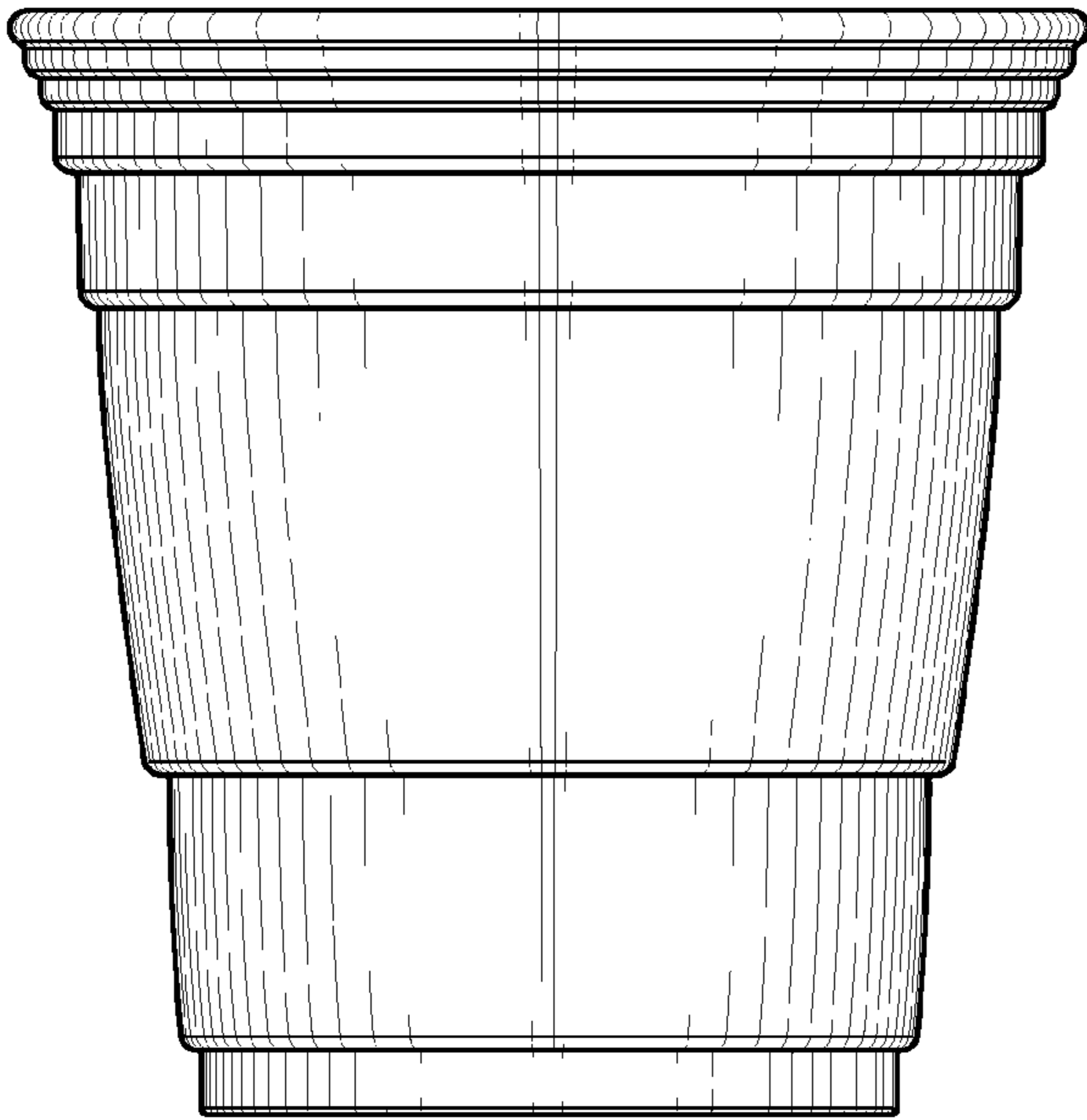


FIG. 3

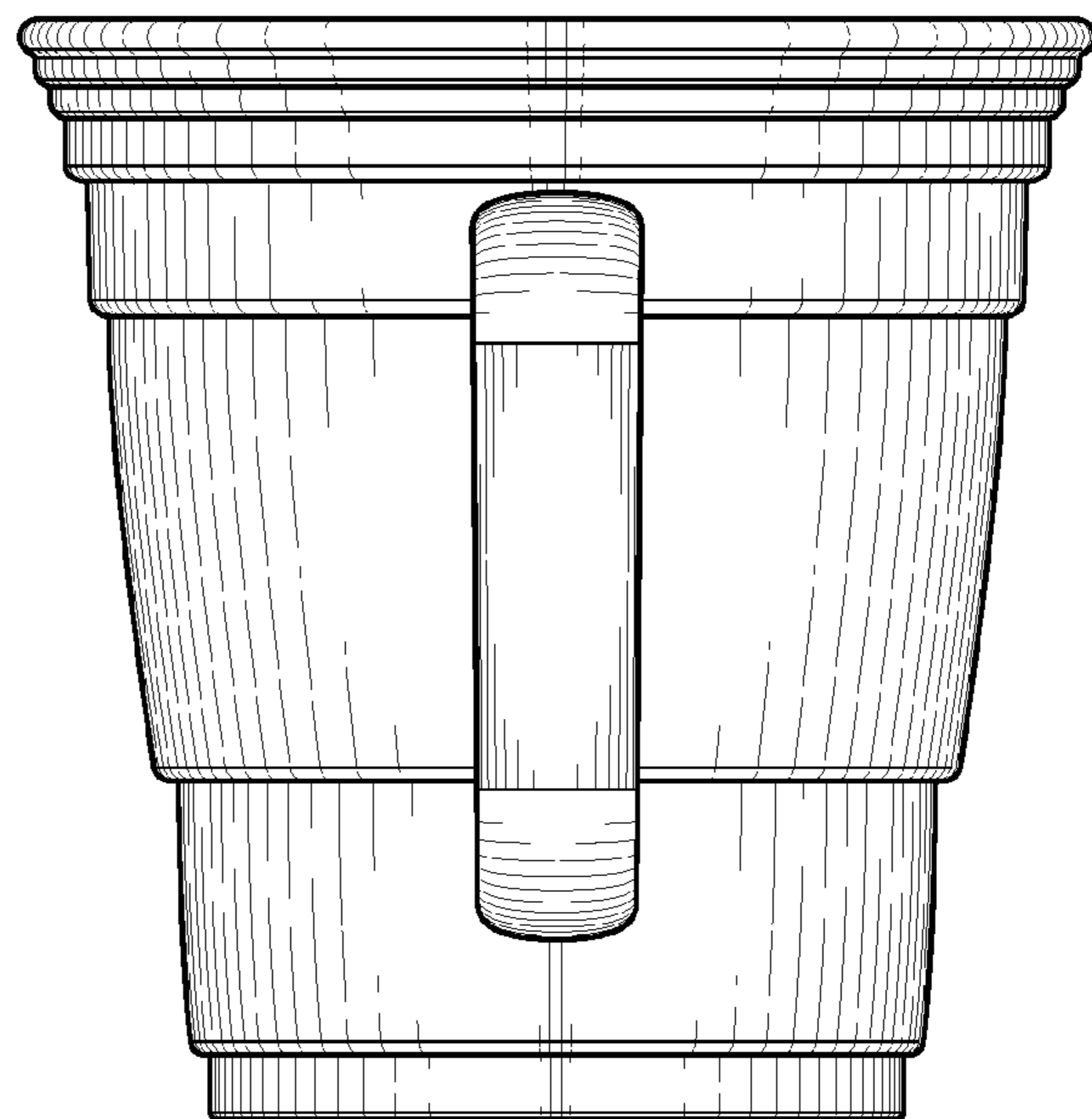


FIG. 4

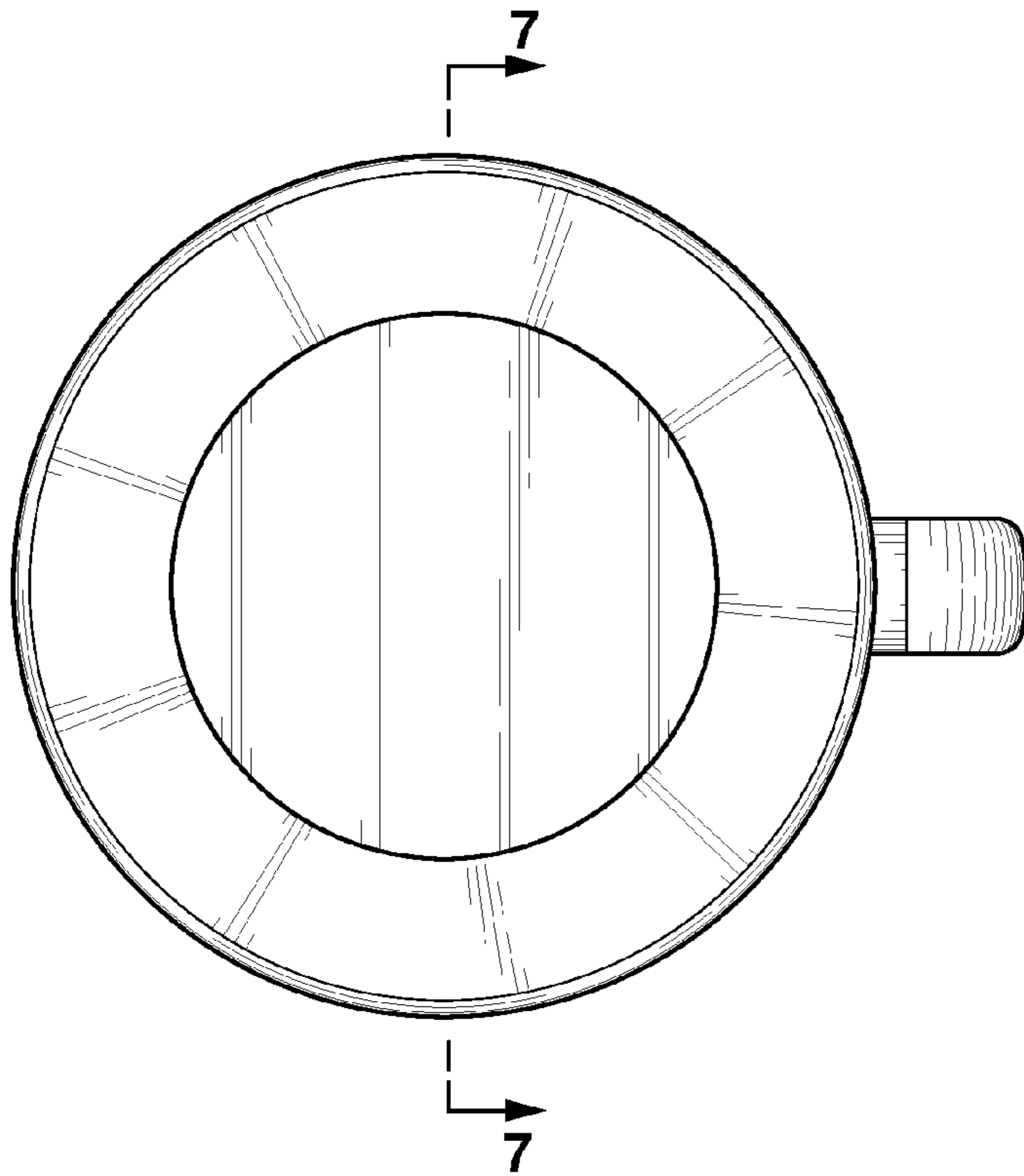


FIG. 5

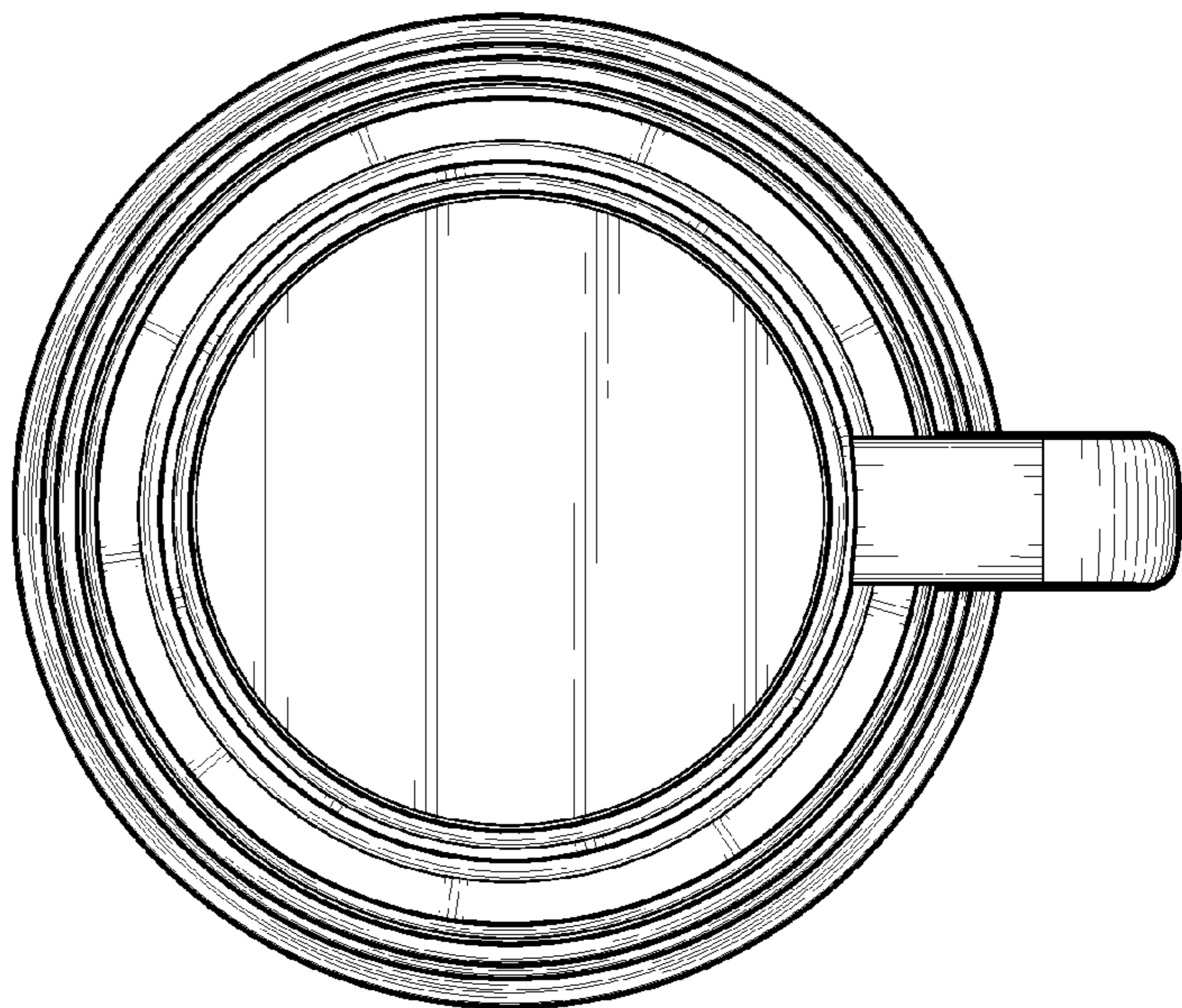


FIG. 6

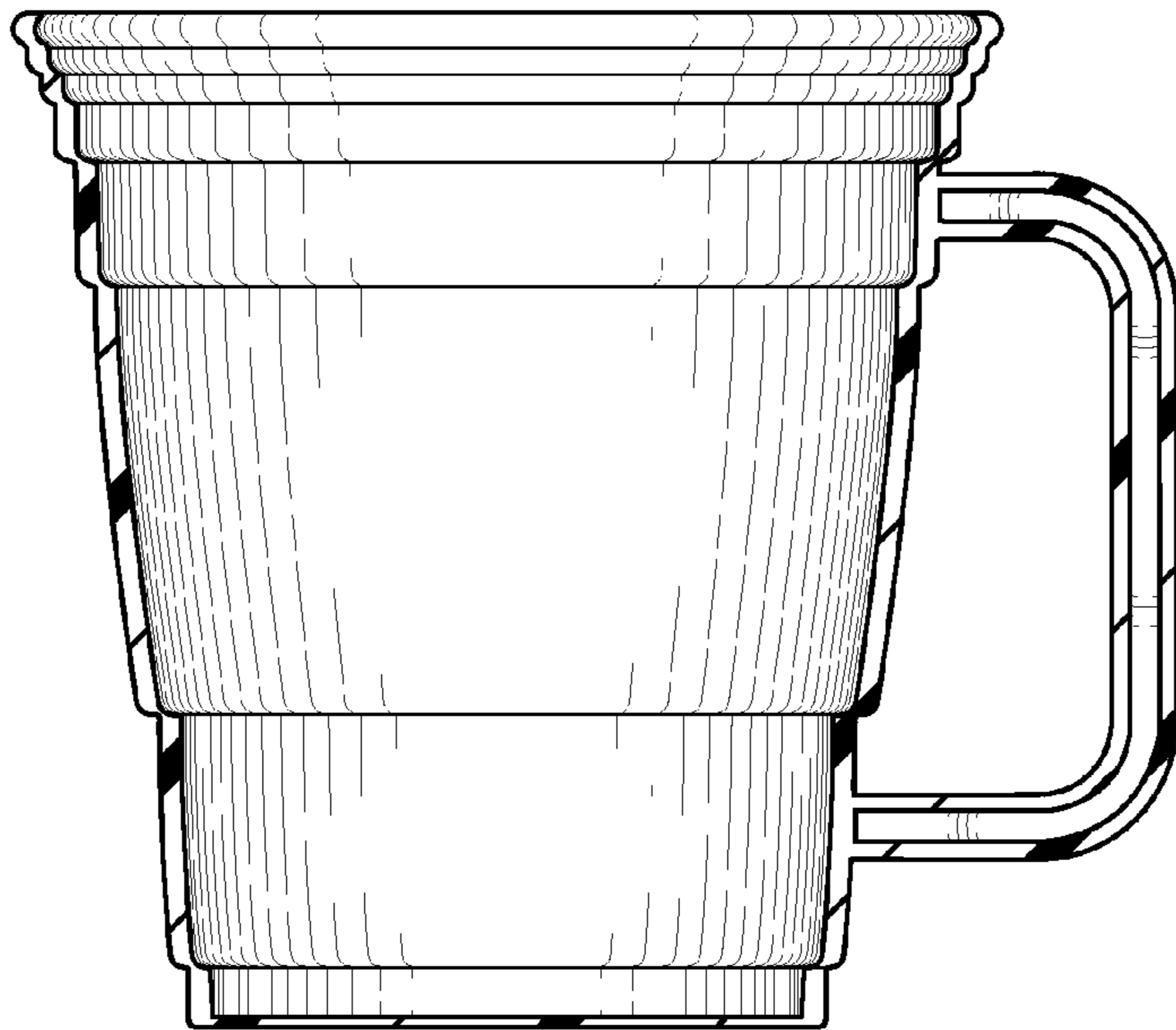


FIG. 7