



US00D680377S

(12) **United States Design Patent**
Romley

(10) **Patent No.:** **US D680,377 S**

(45) **Date of Patent:** **** Apr. 23, 2013**

(54) **SHOT OR SHOOTER CUP**

(76) Inventor: **Michael Romley**, Phoenix, AZ (US)

(**) Term: **14 Years**

(21) Appl. No.: **29/416,507**

(22) Filed: **Mar. 22, 2012**

(51) **LOC (9) Cl.** **07-01**

(52) **U.S. Cl.**
USPC **D7/532; D7/523**

(58) **Field of Classification Search** D7/515,
D7/514, 532, 533, 510, 511, 619.1, 512, 509,
D7/523, 536, 524, 537, 528; D9/429, 502,
D9/538, 524; 215/13.1, 12.1, 10, 377; 229/400;
206/519; 220/703, 710.5, 630; D24/197
See application file for complete search history.

(56) **References Cited**

U.S. PATENT DOCUMENTS

3,009,603	A	*	11/1961	Stockdale	206/519
D199,336	S	*	10/1964	Wanderer	D9/429
D209,242	S	*	11/1967	Huston	D9/429
D209,243	S	*	11/1967	Huston	D9/429
D213,173	S	*	1/1969	Lockhart et al.	D7/532
4,420,081	A	*	12/1983	Dart	206/519
D272,794	S	*	2/1984	Dart	D7/532
D458,807	S	*	6/2002	Trazzi	D7/532
D607,692	S	*	1/2010	Skala	D7/532
D633,266	S	*	2/2011	Tuan	D32/53
D651,466	S	*	1/2012	Forsyth	D7/510
D664,003	S	*	7/2012	Nagoya	D7/512

OTHER PUBLICATIONS

Kegworks, Disposable Colored Plastic Shot Cups—2 oz, <http://www.kegworks.com/disposable-colored-plastic-shot-cups-2-oz-863-p174412>, screen shot taken Mar. 21, 2012.

Kegworks, Disposable Clear Plastic Shot Cups—2 oz, <http://www.kegworks.com/disposable-2-oz-clear-plastic-shot-cups-863-p172526>, screen shot taken Mar. 21, 2012.

Shindigz, Shot Glasses, <http://www.shindigz.com/party/Shot-Glasses.cfm>, screen shot taken Mar. 21, 2012.

Purcell Living, Sake Bomb, <http://purcelliving.com/products/page10/page35/index.html>, screen shot taken Mar. 21, 2012.

Polar Ice Pitcher, Shot Glasses, Tubes & Shooters, http://polaricepitcher.com/?page_id=272, screen shot taken Mar. 21, 2012.

Vat 19, Reusable “Plastic” Cups (set of 4), <http://www.vat19.com/dvds/reusable-plastic-cups.cfm?adid=amazon>, screen shot taken Mar. 21, 2012.

Amazon.com, Kikkerland Porcelain Party Cup, <http://www.amazon.com/Kikkerland-CU37-R-Porcelain-Party-Cup/dp/B005DU1XGW>, screen shot taken Mar. 21, 2012.

* cited by examiner

Primary Examiner — Marianne Pandozzi

(74) *Attorney, Agent, or Firm* — Venable, Campillo, Logan & Meaney. P.C.

(57) **CLAIM**

The ornamental design for a shot or shooter cup, as shown and described.

DESCRIPTION

FIG. 1 is a top front perspective view of a shot or shooter cup embodying the new design;

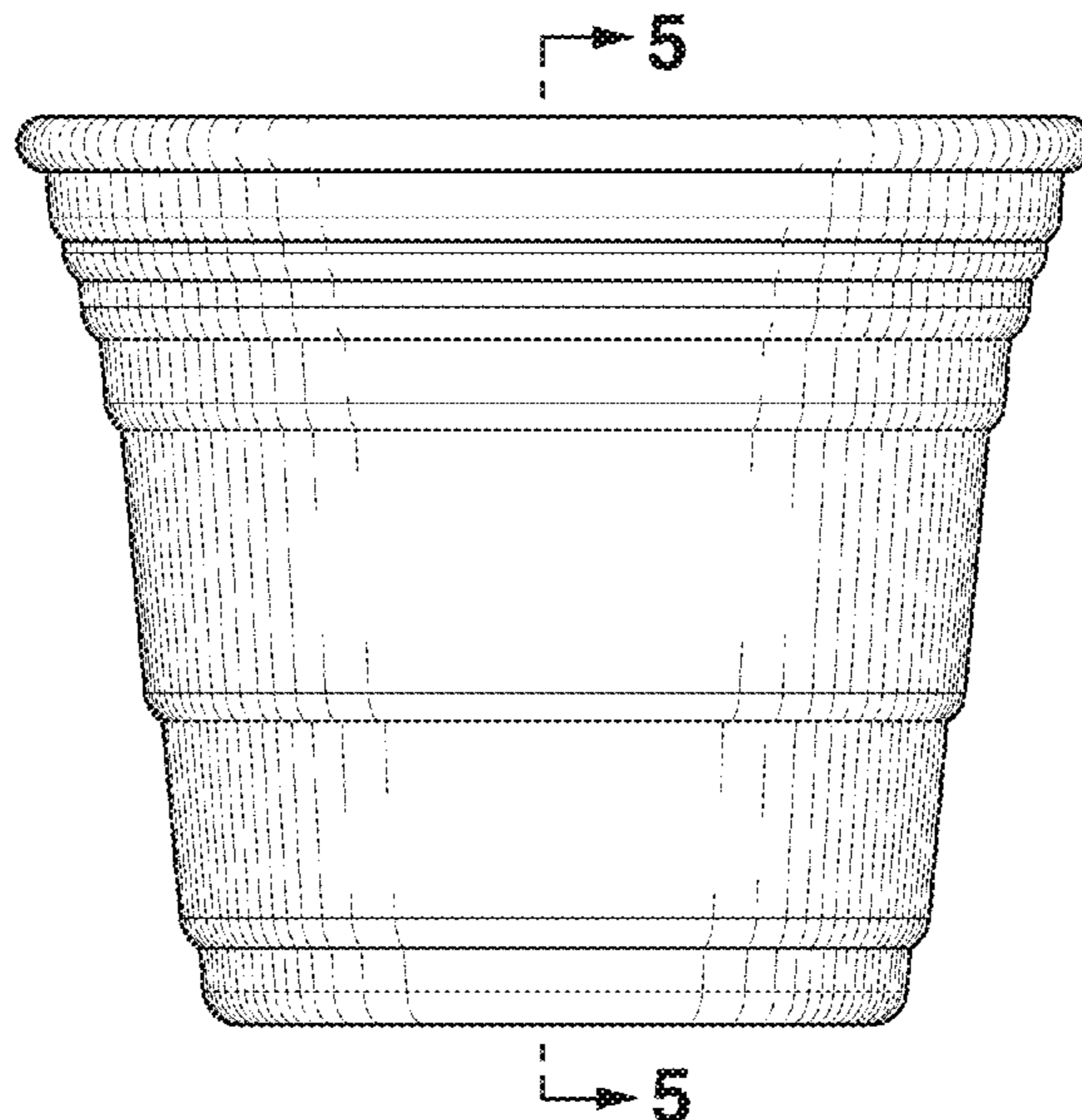
FIG. 2 is a bottom rear perspective view of the shot or shooter cup of FIG. 1;

FIG. 3 is a side view of the shot or shooter cup of FIG. 1;

FIG. 4 is a top view of the shot or shooter cup of FIG. 1; and,

FIG. 5 is a sectional view of the shot or shooter cup taken along cut line 5-5 of FIG. 3.

1 Claim, 3 Drawing Sheets



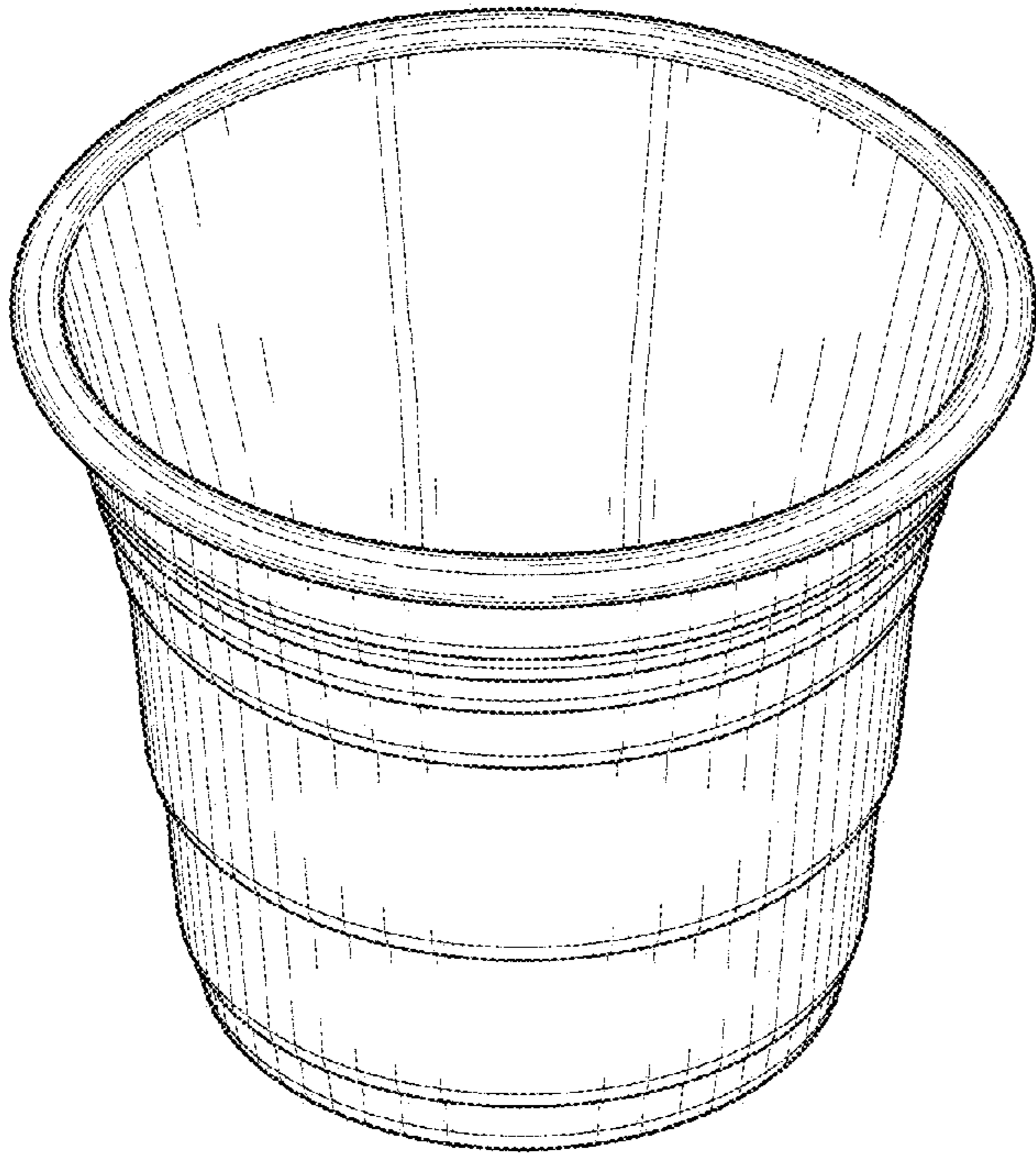


FIG. 1

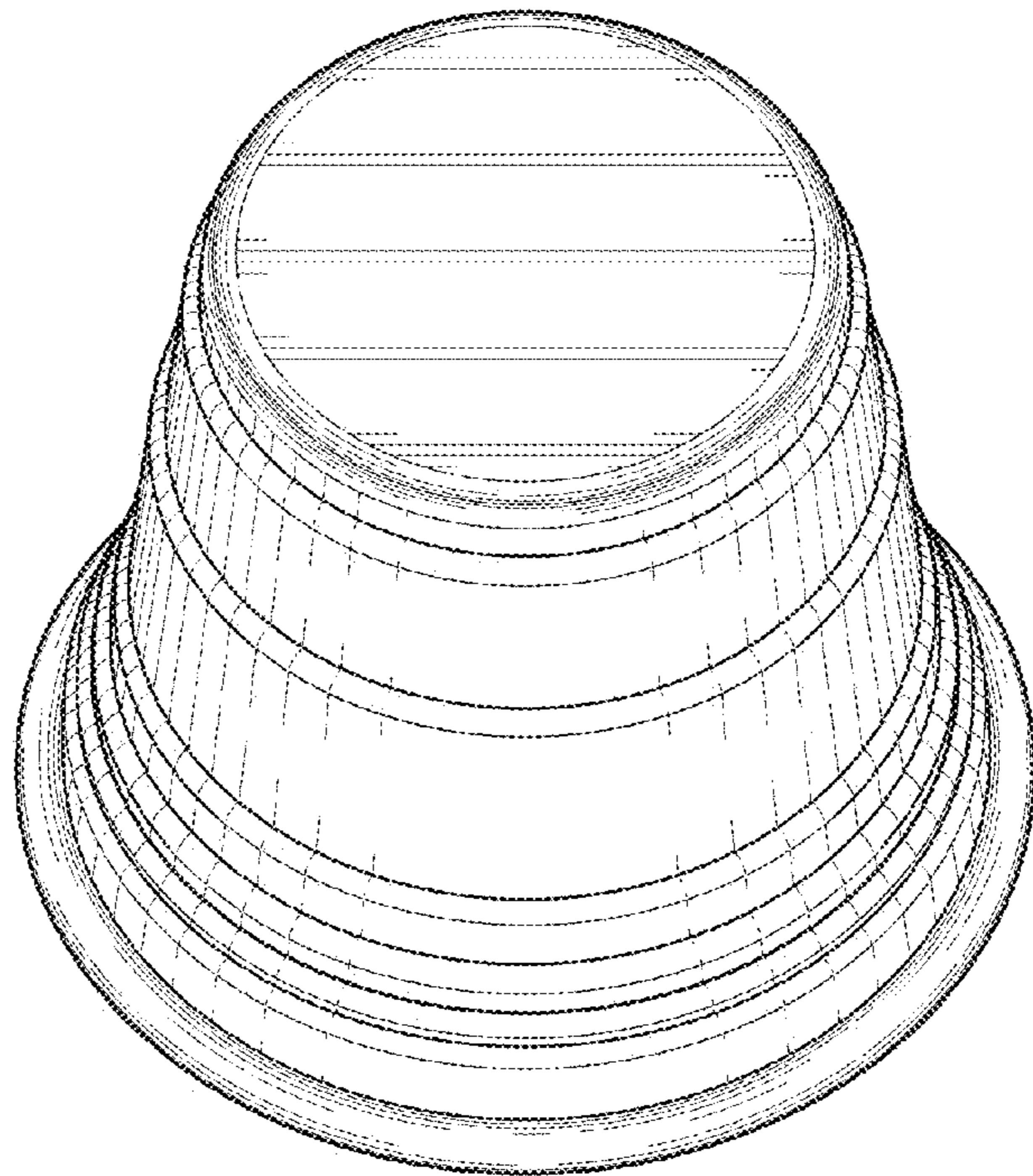
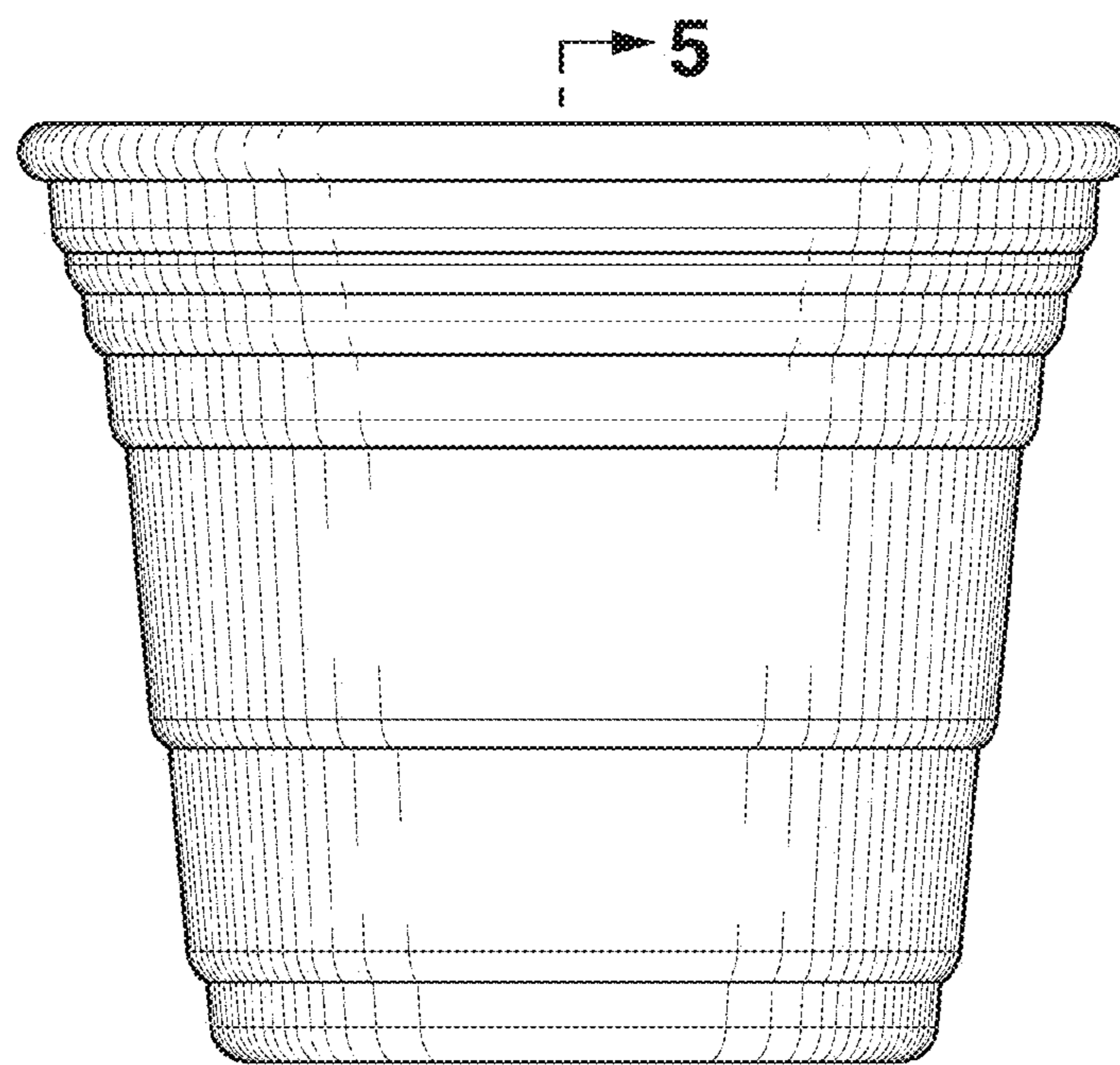


FIG. 2



5
FIG. 3

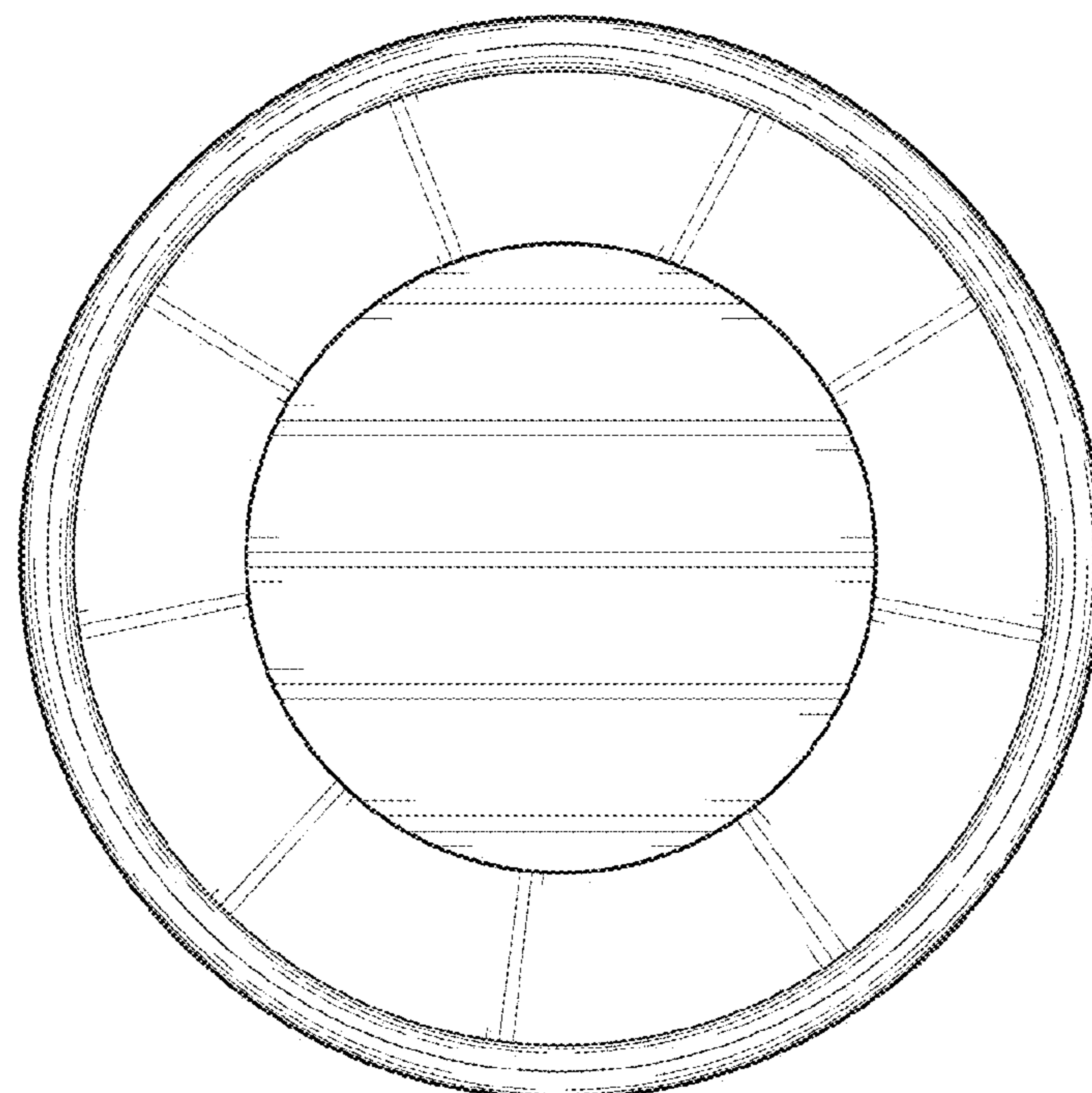


FIG. 4

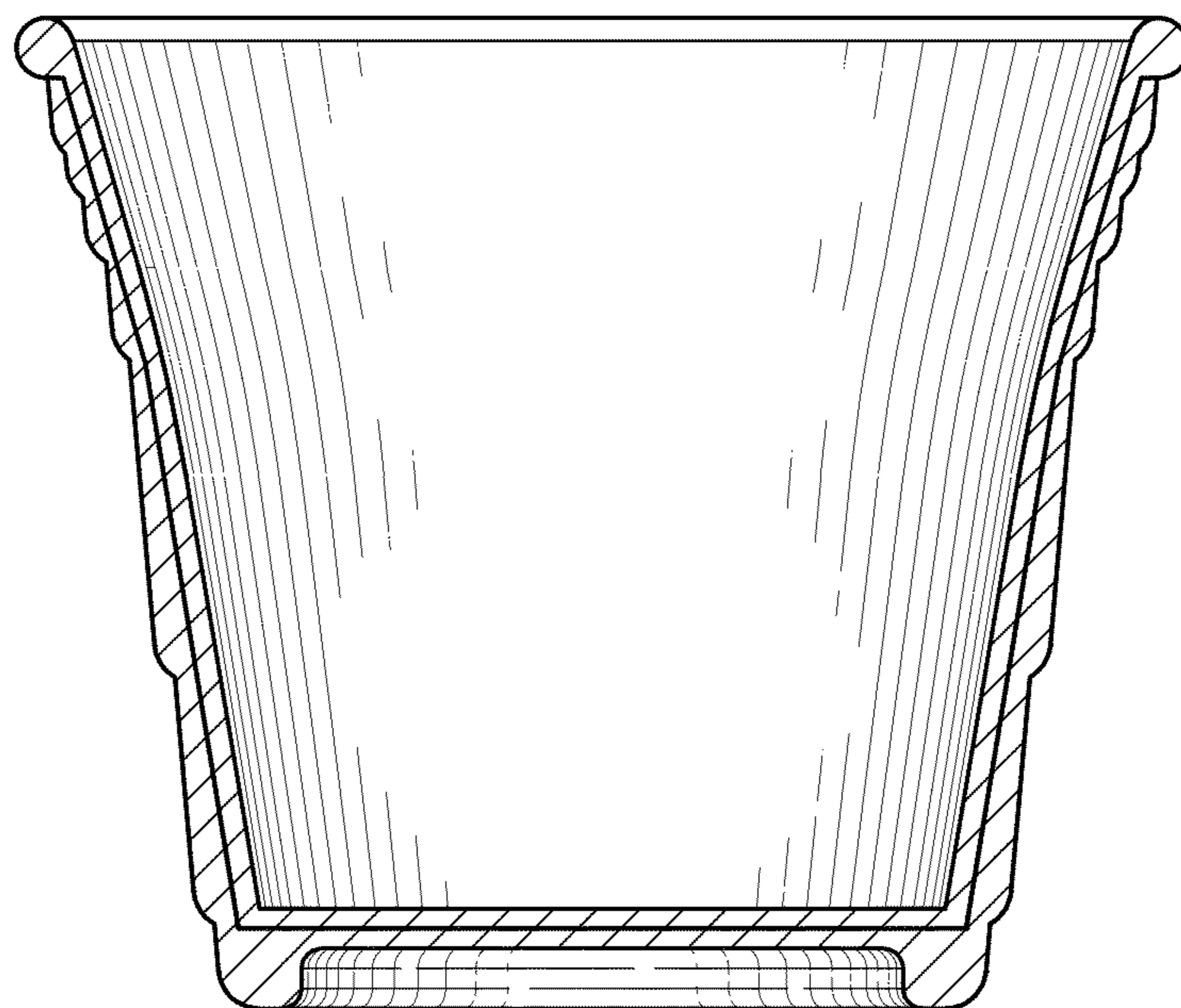


FIG. 5