



US00D680376S

(12) **United States Design Patent**
Romley

(10) **Patent No.:** **US D680,376 S**

(45) **Date of Patent:** **** Apr. 23, 2013**

(54) **BEVERAGE CUP**

(76) Inventor: **Michael Romley**, Phoenix, AZ (US)

(**) Term: **14 Years**

(21) Appl. No.: **29/416,501**

(22) Filed: **Mar. 22, 2012**

(51) **LOC (9) Cl.** **07-01**

(52) **U.S. Cl.**
USPC **D7/528; D7/524**

(58) **Field of Classification Search** D7/515,
D7/514, 532, 533, 510, 511, 619.1, 512, 509,
D7/523, 536, 524, 537, 528, 525; D9/429,
D9/502, 538, 524; 215/13.1, 12.1, 10, 377;
229/400; 206/519; 220/703, 630; D24/197
See application file for complete search history.

(56) **References Cited**

U.S. PATENT DOCUMENTS

D50,687	S	*	5/1917	Hunter	D7/524
D110,286	S	*	6/1938	Krehbiel	D11/152
3,009,603	A	*	11/1961	Stockdale	206/519
3,139,213	A	*	6/1964	Edwards	206/519
D199,336	S	*	10/1964	Wanderer	D9/429
3,349,950	A	*	10/1967	Wanderer	220/787
D210,767	S	*	4/1968	Anglada	D7/532
3,375,954	A	*	4/1968	Honkanen et al.	206/520
3,482,731	A	*	12/1969	Douty	220/630
D219,789	S	*	1/1971	Quistgaard	D7/524
D221,170	S	*	7/1971	Benes	D7/524
D229,081	S	*	11/1973	Martinelli	D7/509
D230,552	S	*	3/1974	Bengert	D7/524
3,850,361	A	*	11/1974	Day et al.	229/400
D234,448	S	*	3/1975	Achenbach	D7/524
D254,946	S	*	5/1980	Tayebi	D7/528
D355,812	S	*	2/1995	DuBow	D7/527

D446,687	S	*	8/2001	Furman et al.	D7/523
6,662,959	B1	*	12/2003	Westerhold	215/378
D486,693	S	*	2/2004	Abramowski et al.	D7/527
D570,159	S	*	6/2008	McGill	D7/532
D607,692	S	*	1/2010	Skala	D7/532
D611,384	S	*	3/2010	Biegel	D11/152
8,328,019	B2	*	12/2012	Dermo	206/581

OTHER PUBLICATIONS

Wine Enthusiast, The Original RedNek Wine Glass, <http://www.wineenthusiast.com/the-original-rednek-wine-glass.asp>, screen shot taken Mar. 21, 2012.

Buy.com, Red 10 oz. Plastic Wine Glasses, <http://www.buy.com/prod/red-10-oz-plastic-wine-glasses-18-count/225066507.html>, screen shot taken Mar. 21, 2012.

A+R Store, Sommelier Wine Glass, <http://www.aplusrstore.com/product.php?id=242>, screen shot taken Mar. 21, 2012.

(Continued)

Primary Examiner — Marianne Pandozzi

(74) *Attorney, Agent, or Firm* — Venable, Campillo, Logan & Meaney. P.C.

(57) **CLAIM**

The ornamental design for a beverage cup, as shown and described.

DESCRIPTION

FIG. 1 is a top front perspective view of a beverage cup embodying the new design;

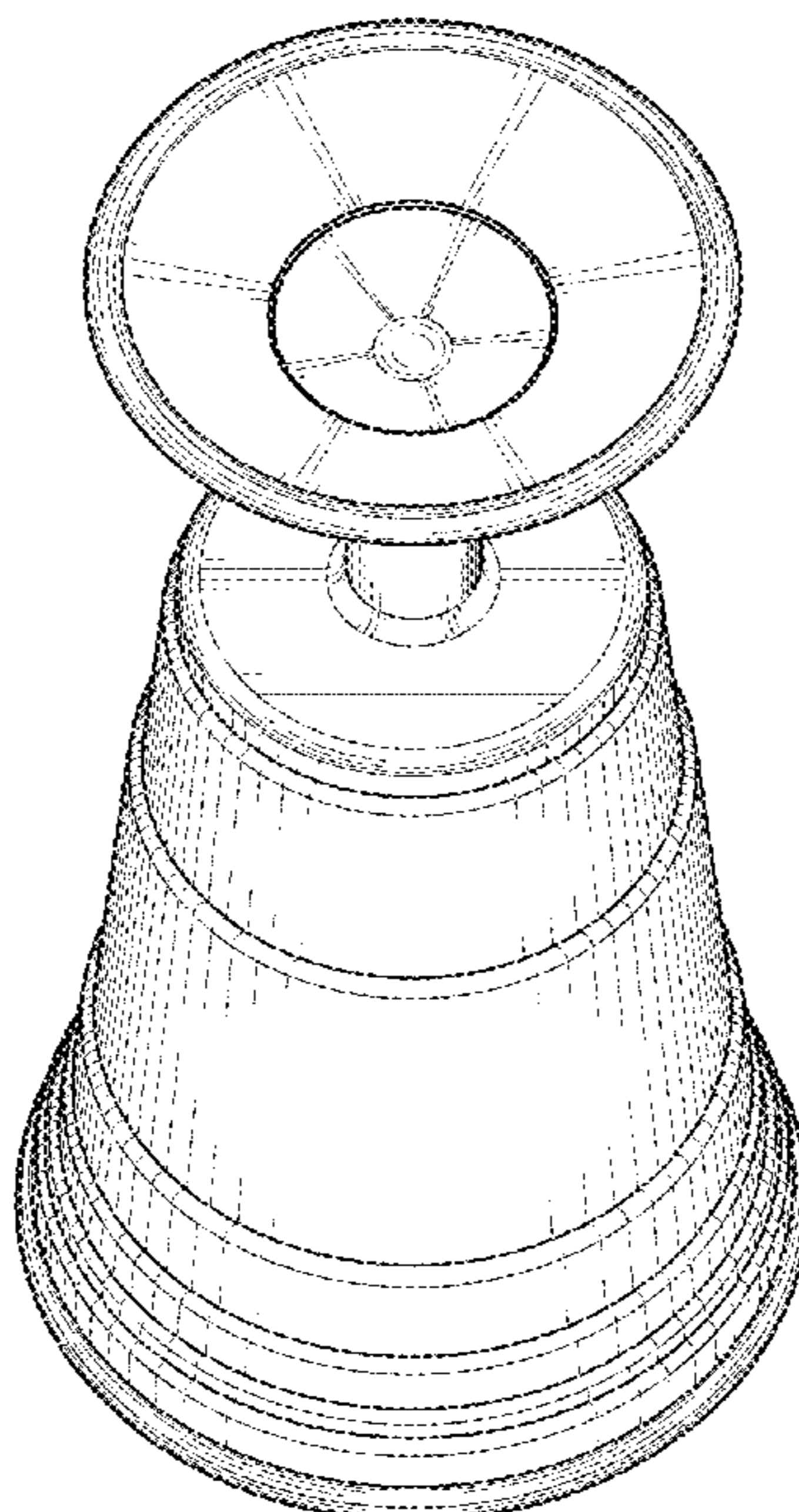
FIG. 2 is a bottom rear perspective view of the beverage cup of FIG. 1;

FIG. 3 is a side view of the beverage cup of FIG. 1;

FIG. 4 is a top view of the beverage cup of FIG. 1; and,

FIG. 5 is a sectional view of the beverage cup taken along cut line 5-5 of FIG. 3.

1 Claim, 3 Drawing Sheets



OTHER PUBLICATIONS

Ebanggood.com, Coin Shuttle Play Trick Game Red Plastic Cups
Magic Props 2 Pcs Fantasy, Mythical & Magic, <http://www.ebanggood.com/Coin-Shuttle-Play-Trick-Game-Red-Plastic-Cups-Magic-Props-2-Pcs-Fantasy-Mythical-Magic-65370.html>, screen
shot taken Mar. 21, 2012.

The Web Restaurant Store, WNA Comet CCW8 8 oz. Clear Plastic
Classicware Wine Cup, <http://www.webstaurantstore.com/wna-comet-ccw8-8-oz-clear-plastic-classicware-wine-cup-240-cs/625CCW8%20%20%20%20%20CL240.html>, screen shot taken
Mar. 21, 2012.

* cited by examiner

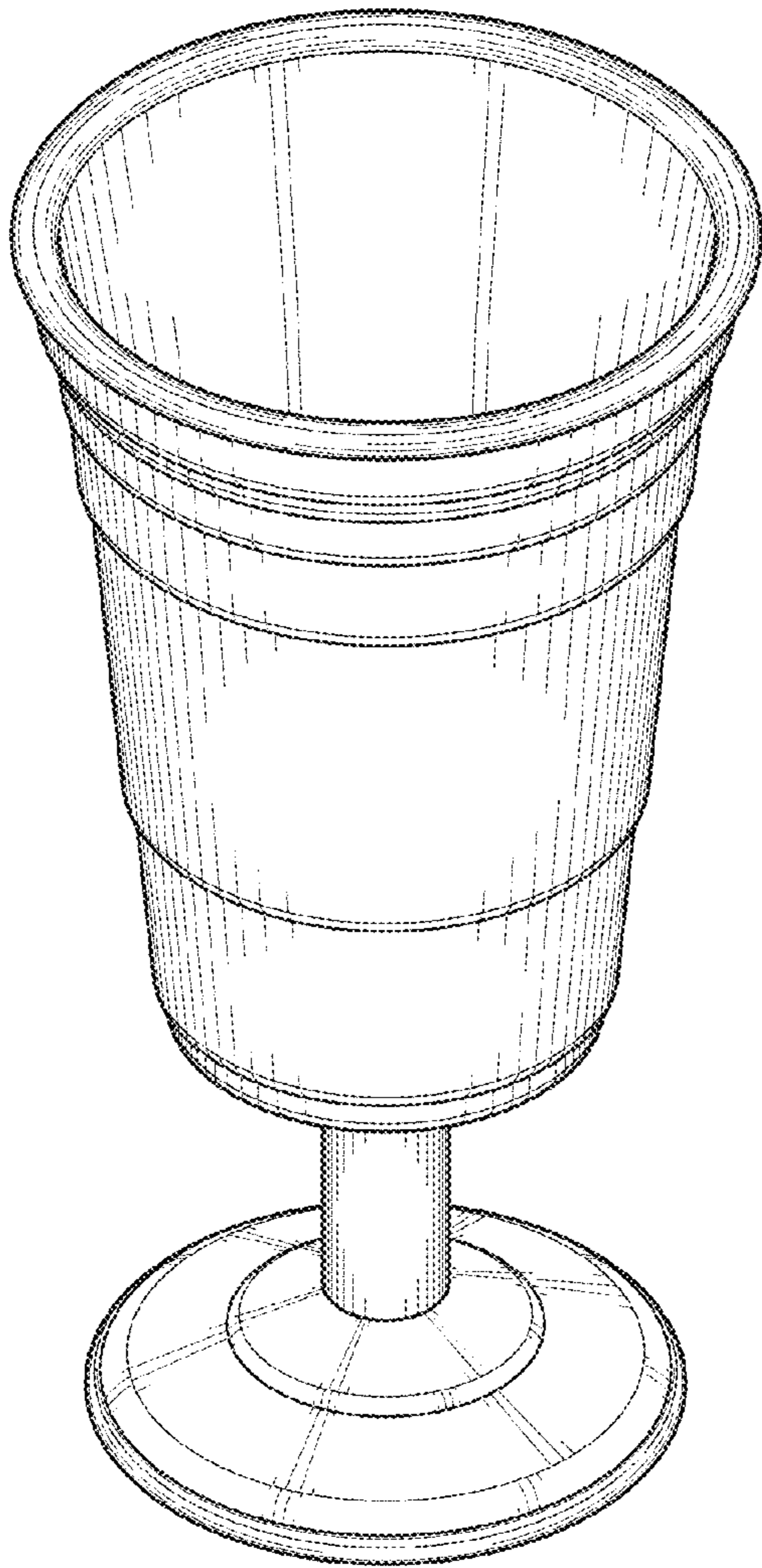


FIG. 1

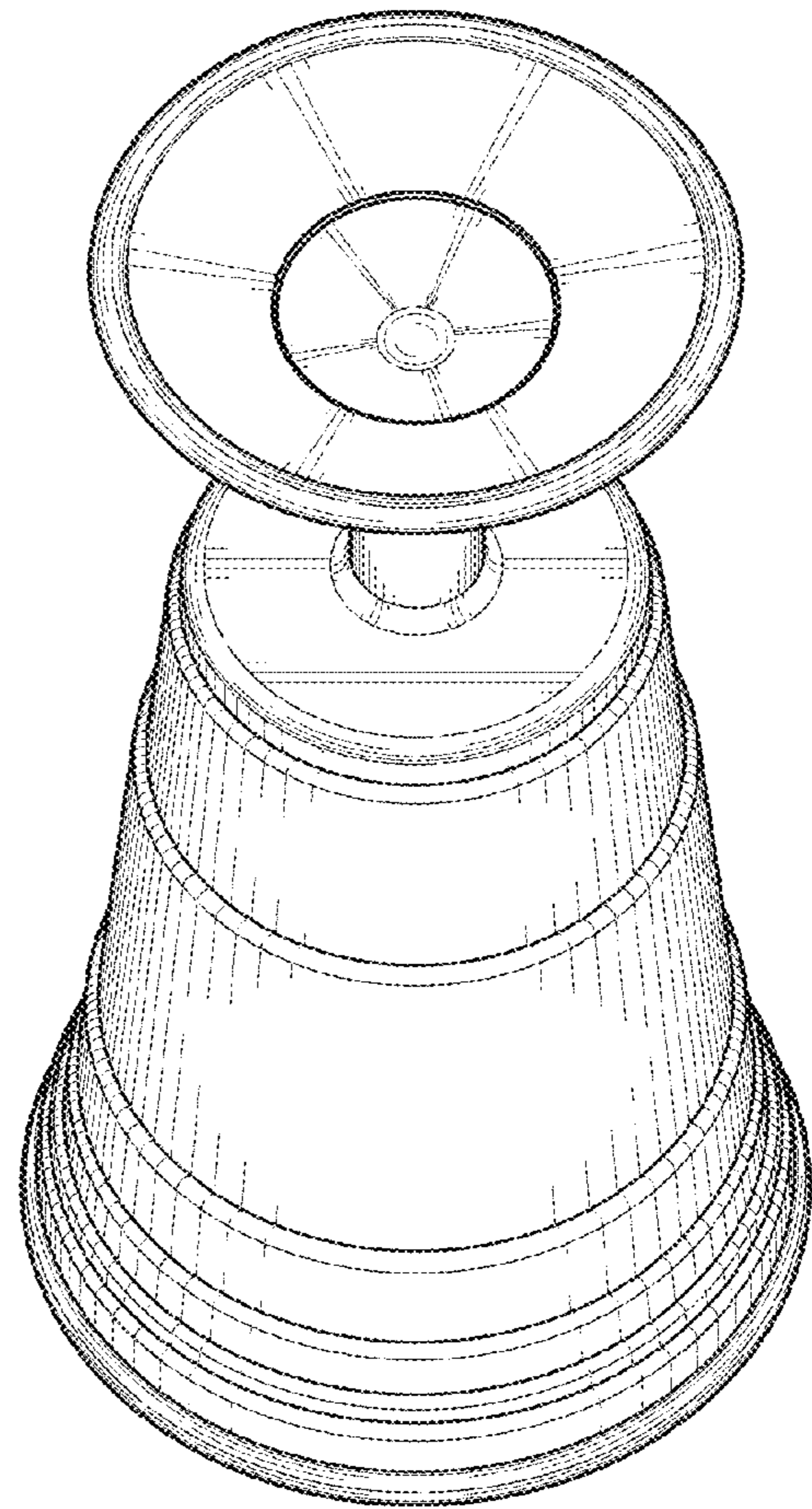


FIG. 2

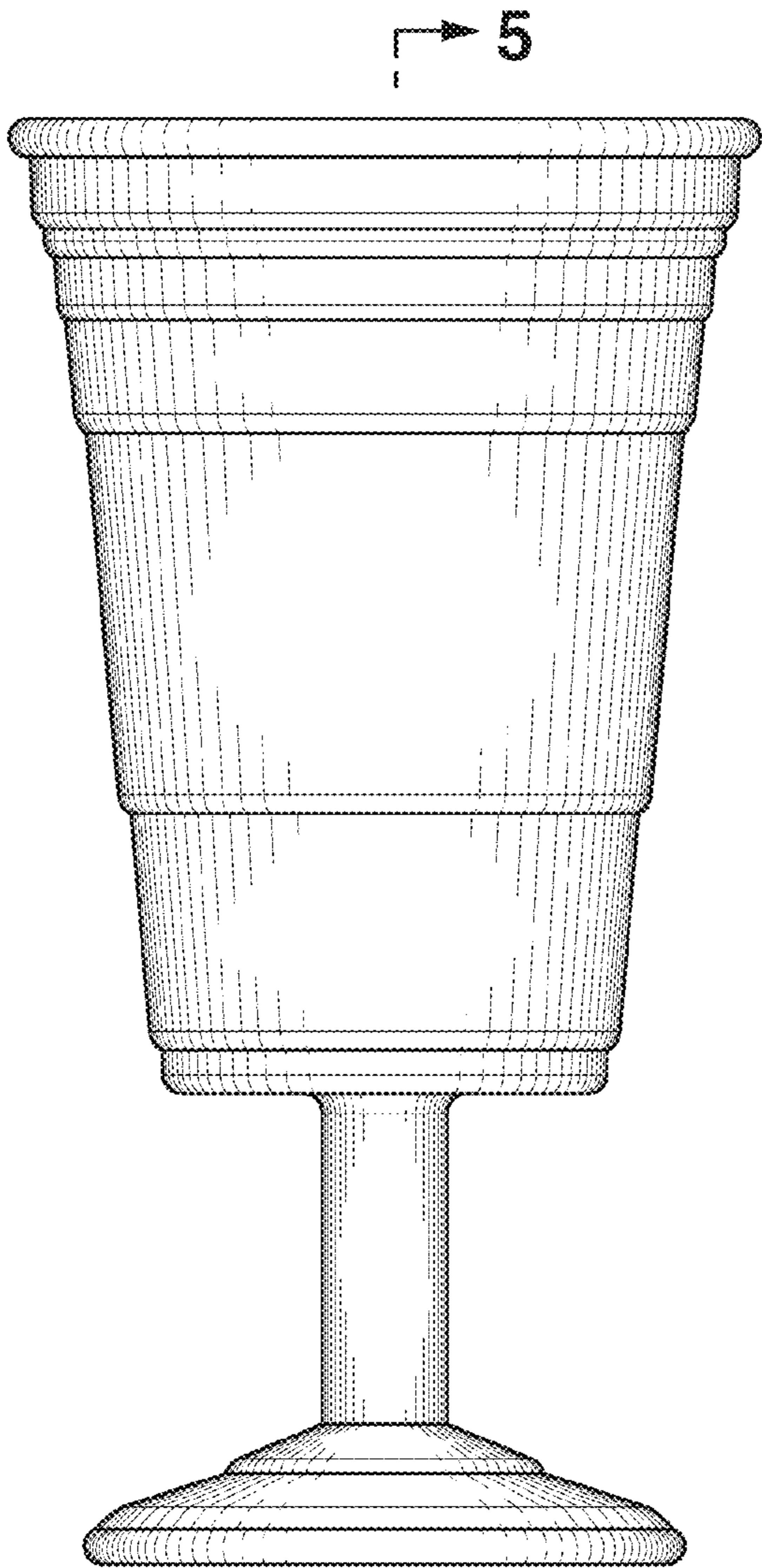


FIG. 3

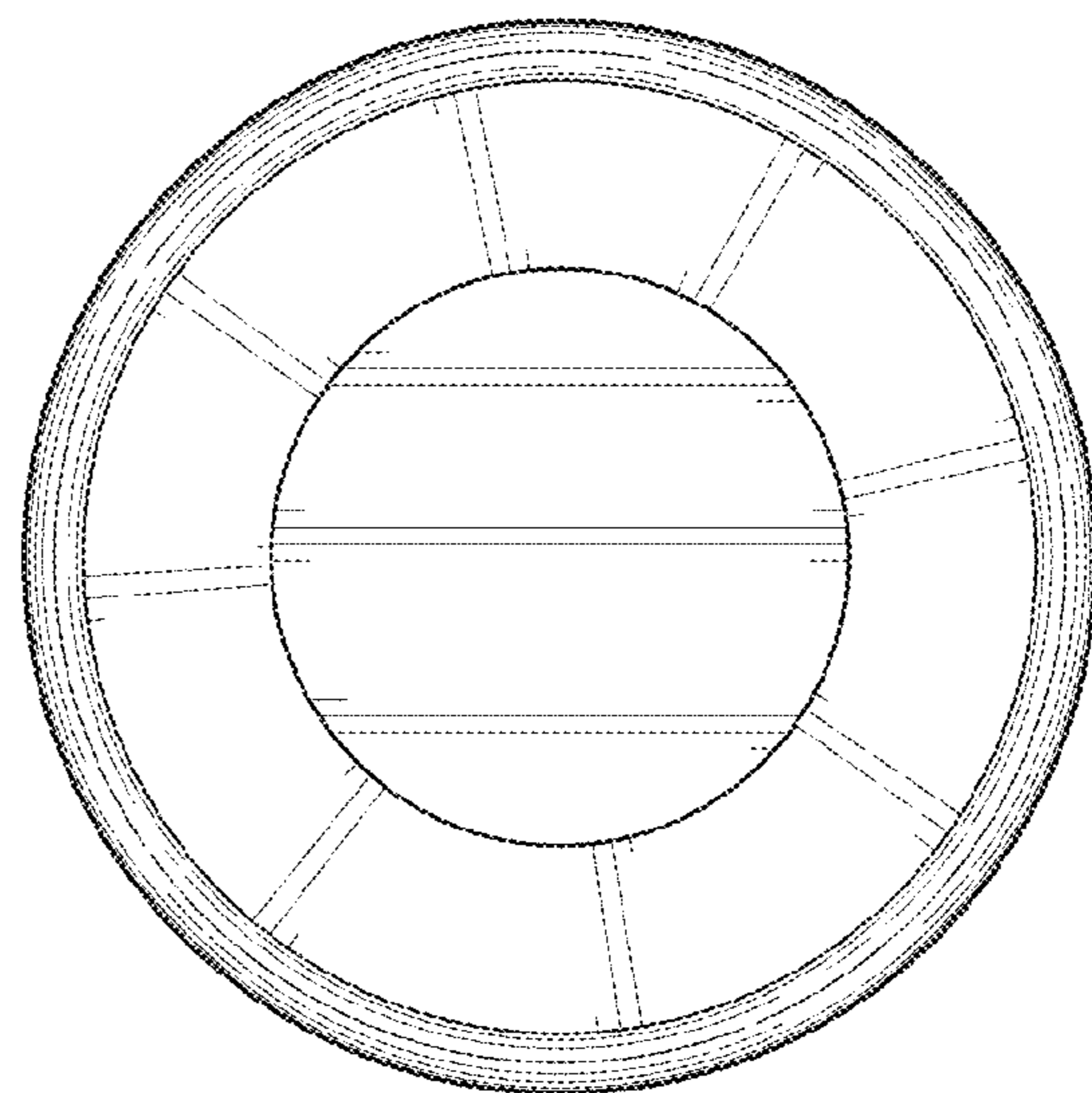


FIG. 4

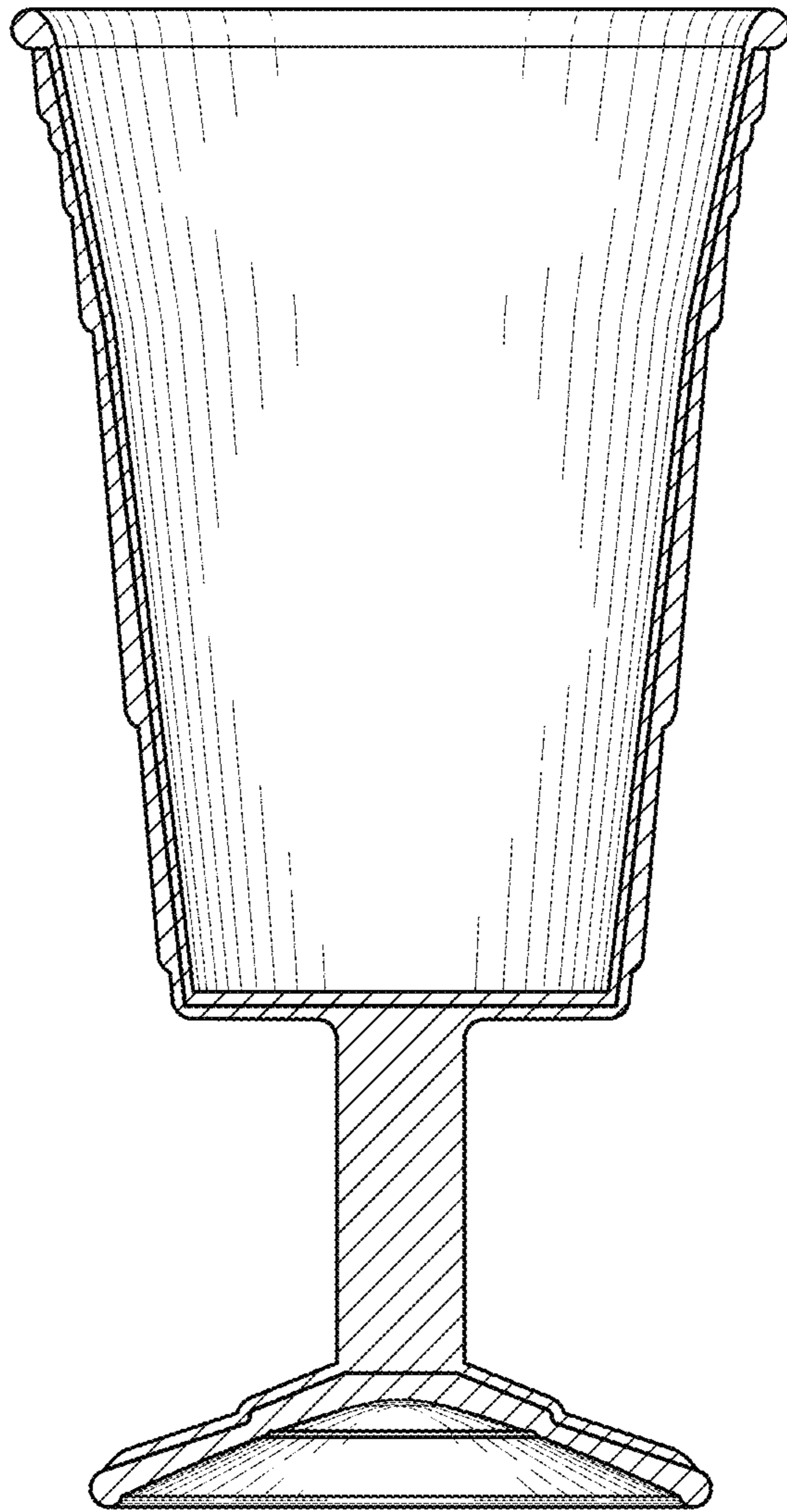


FIG. 5