



US00D680372S

(12) **United States Design Patent**
Brennan

(10) **Patent No.:** **US D680,372 S**

(45) **Date of Patent:** **** Apr. 23, 2013**

(54) **ASH INSERT**

(76) **Inventor:** **Robert Anthony Brennan, Duluth, GA**
(US)

(**) **Term:** **14 Years**

(21) **Appl. No.:** **29/420,785**

(22) **Filed:** **May 12, 2012**

(51) **LOC (9) Cl.** **07-02**

(52) **U.S. Cl.**
USPC **D7/407**

(58) **Field of Classification Search** D7/402-408,
D7/332, 334-337; D23/420, 403; 99/421 R,
99/444, 340; 126/25 R, 25 A, 25 AA, 9 R,
126/9 B, 29-30, 41 R, 242-243, 245, 343,
126/50; D27/104

See application file for complete search history.

(56) **References Cited**

U.S. PATENT DOCUMENTS

D247,447 S *	3/1978	Ricaud	D27/104
D257,593 S *	12/1980	Vogel	D23/403
D278,021 S *	3/1985	Schlosser et al.	D7/332
D295,135 S *	4/1988	Ogden	D7/334
D299,690 S *	2/1989	Schnack et al.	D7/402
5,036,832 A *	8/1991	Schlosser et al.	126/243
D355,566 S *	2/1995	Stephen et al.	D7/403
D382,956 S *	8/1997	Collins	D23/420
5,809,991 A *	9/1998	Pai	126/242
D426,101 S *	6/2000	Pai	D7/334
6,182,559 B1 *	2/2001	Chiang	99/340

D464,529 S *	10/2002	Eisinger et al.	D7/402
D472,757 S *	4/2003	Schulte et al.	D7/334
D474,063 S *	5/2003	Eisinger et al.	D7/334
D483,215 S *	12/2003	Eisinger et al.	D7/334
7,328,696 B2 *	2/2008	Rodriguez	126/50
D612,041 S *	3/2010	Jesso, Sr.	D23/420

* cited by examiner

Primary Examiner — T. Chase Nelson

Assistant Examiner — Mark Cavanna

(74) *Attorney, Agent, or Firm* — Crose Law LLC; Bradley D. Crose

(57) **CLAIM**

The ornamental design for an ash insert, as shown and described.

DESCRIPTION

FIG. 1 is a perspective view of an ash insert, showing my new design;

FIG. 2 is a top plan view thereof;

FIG. 3 is a bottom plan view thereof;

FIG. 4 is a front plan view thereof;

FIG. 5 is a rear plan view thereof;

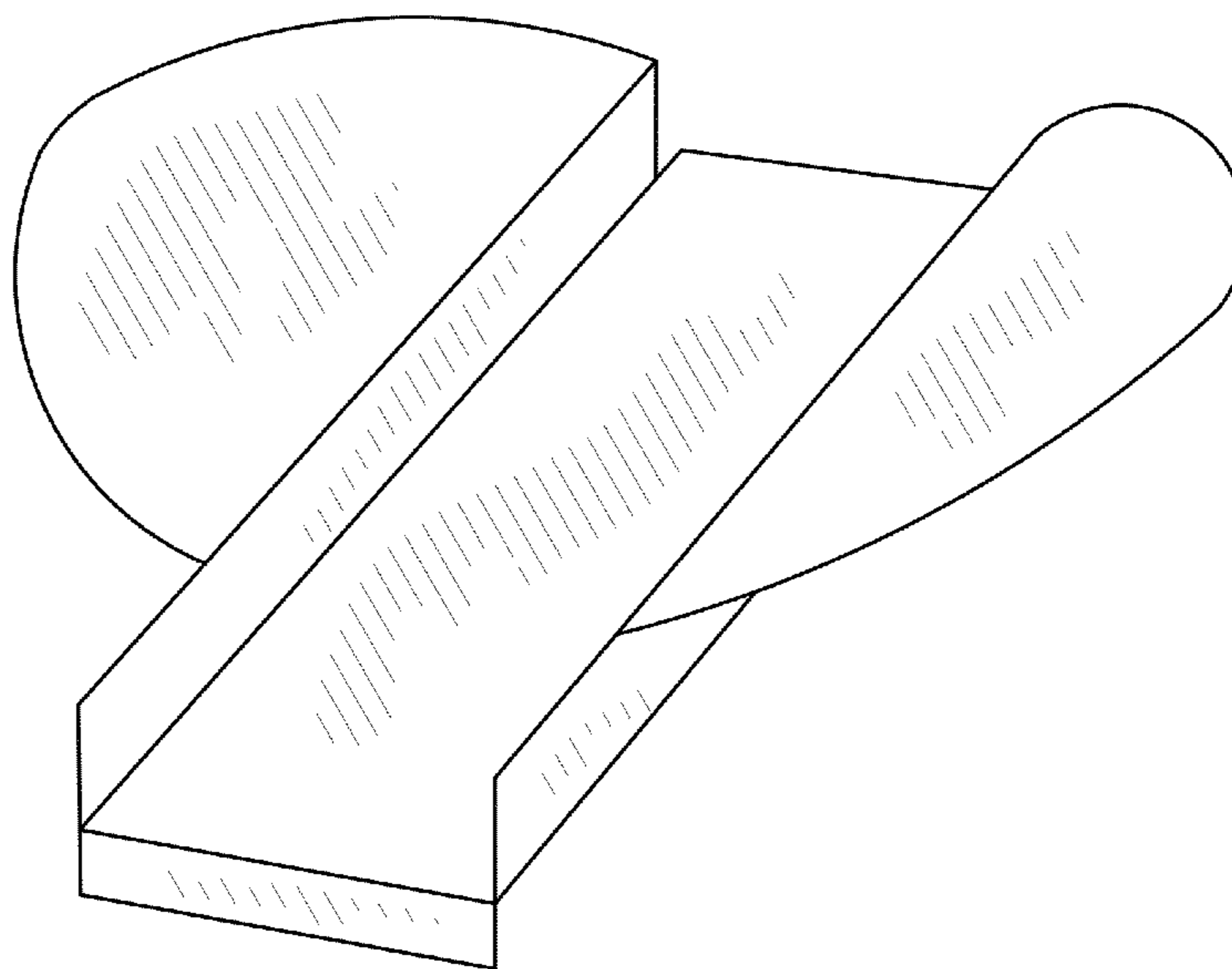
FIG. 6 is a left side plan view thereof;

FIG. 7 is a right side plan view thereof; and,

FIG. 8 is an elevational view of an ash insert, illustrating a tray for inserting into the ash insert and a ceramic grill charcoal receptacle into which the ash insert is inserted thereto.

The broken lines showing a tray and charcoal receptacle in the views depict unclaimed subject matter only and form no part of the claimed design.

1 Claim, 8 Drawing Sheets



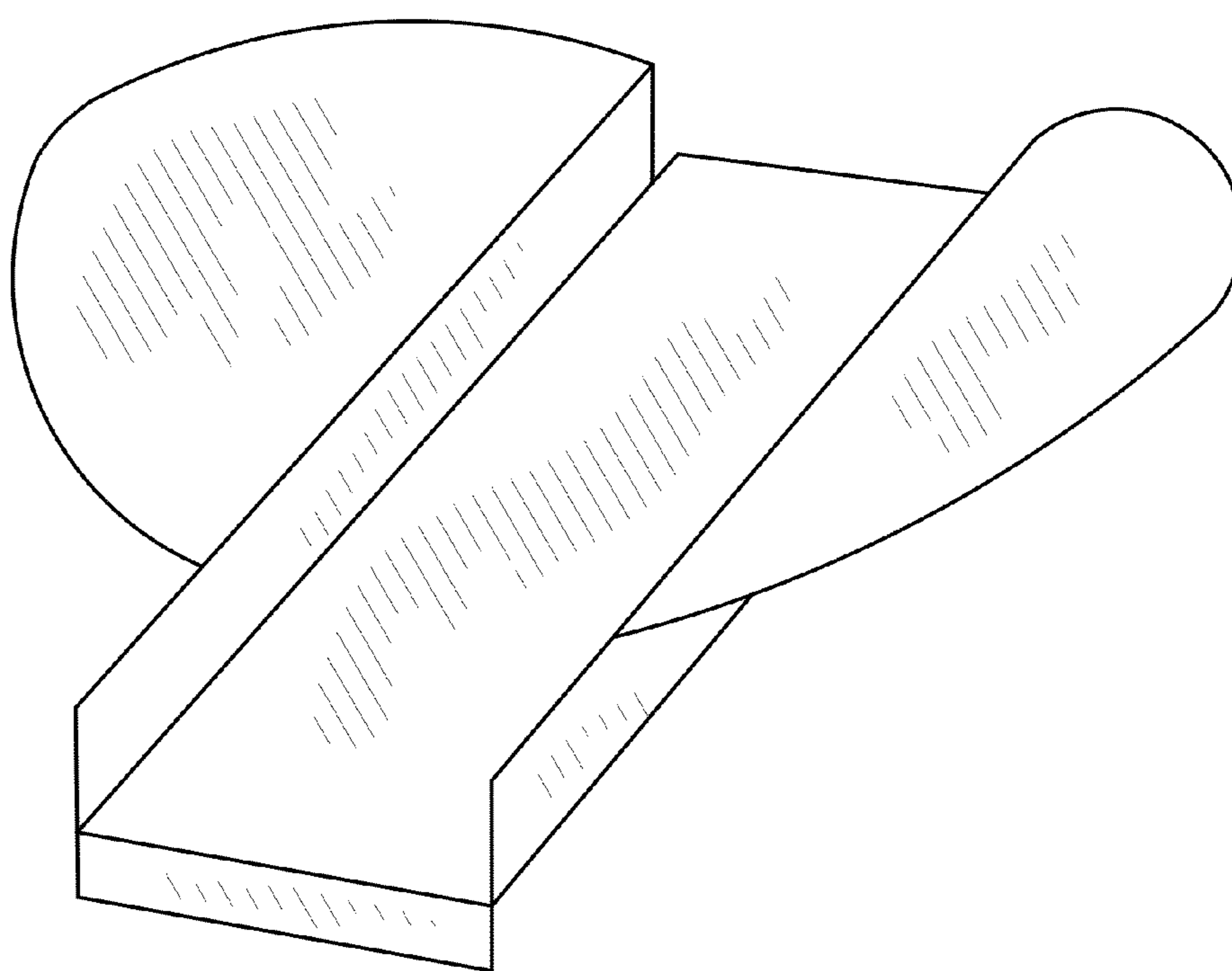


FIG. 1

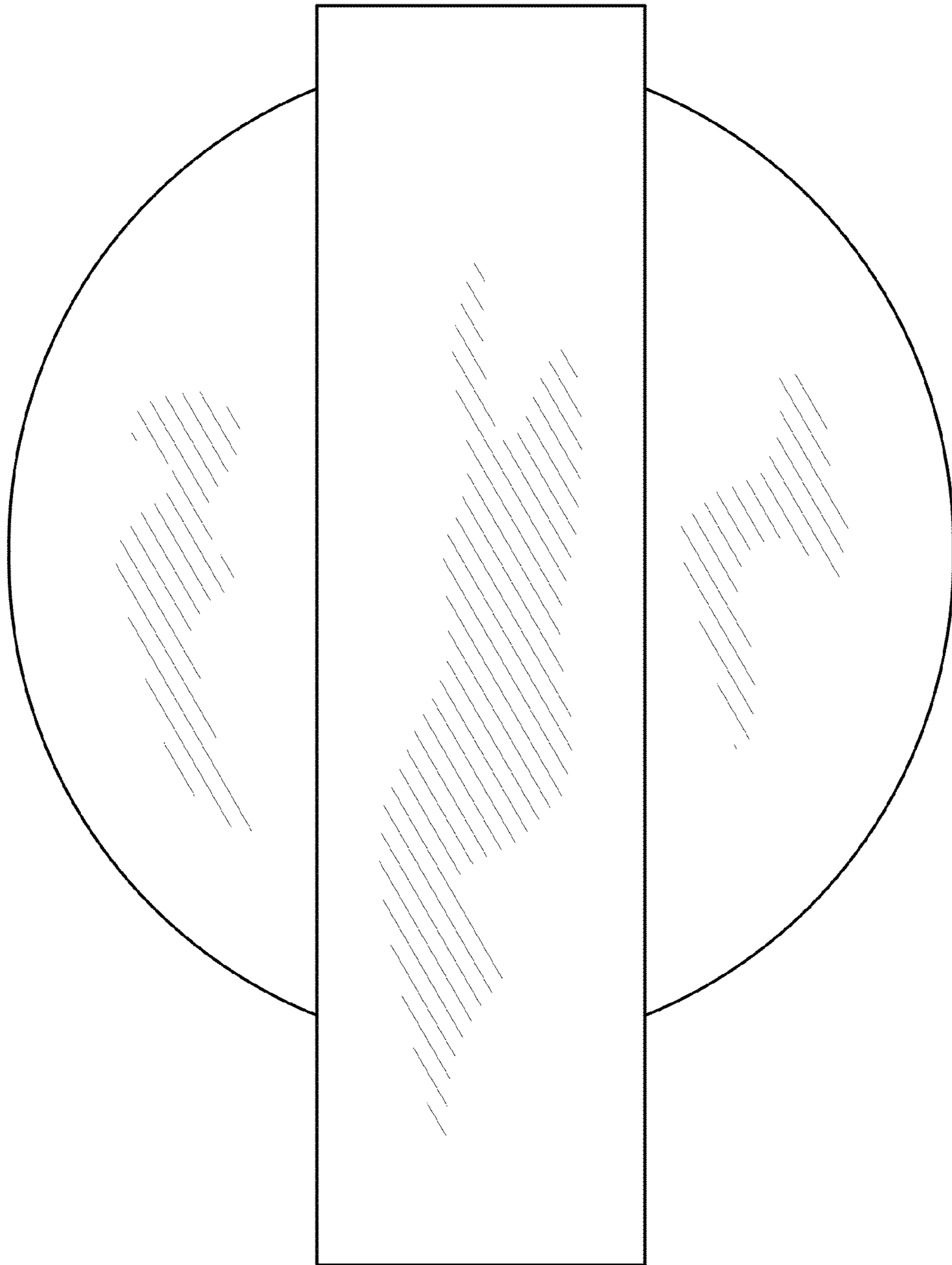


FIG. 2

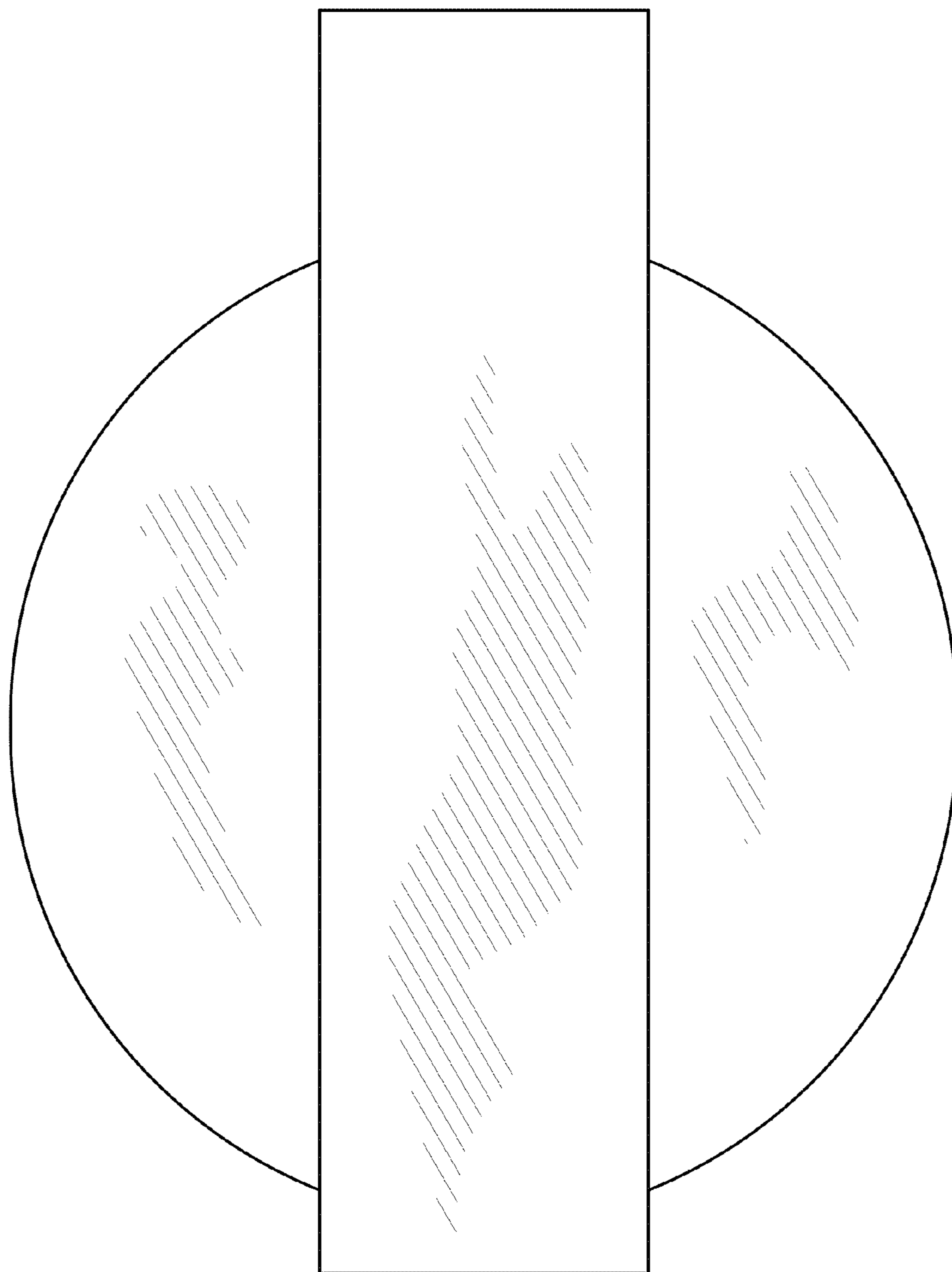


FIG. 3

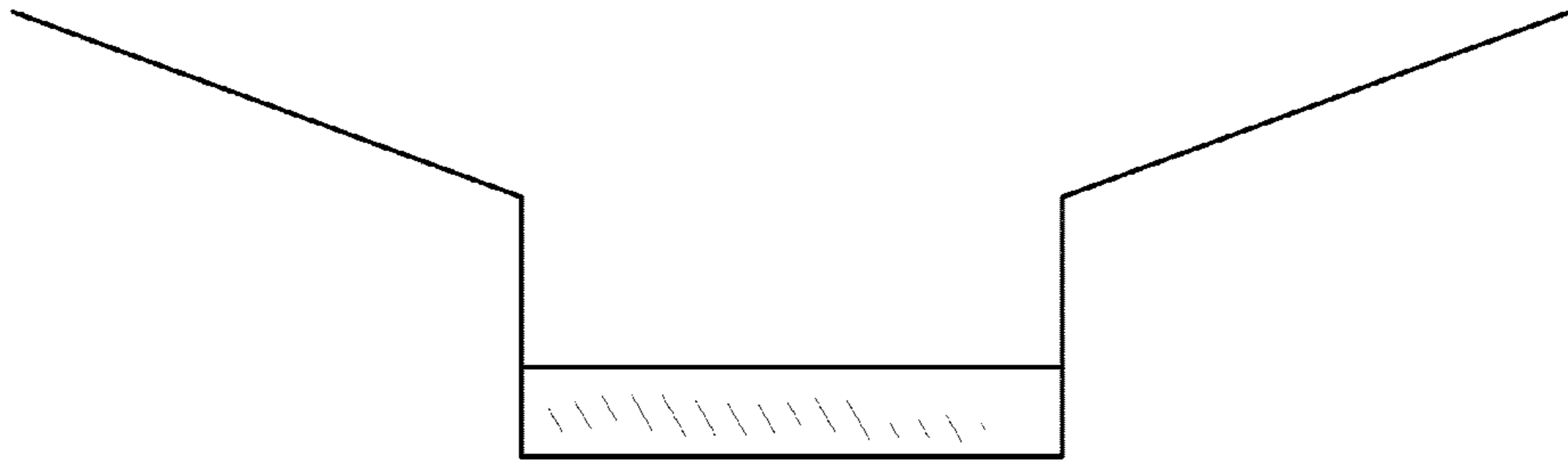


FIG. 4

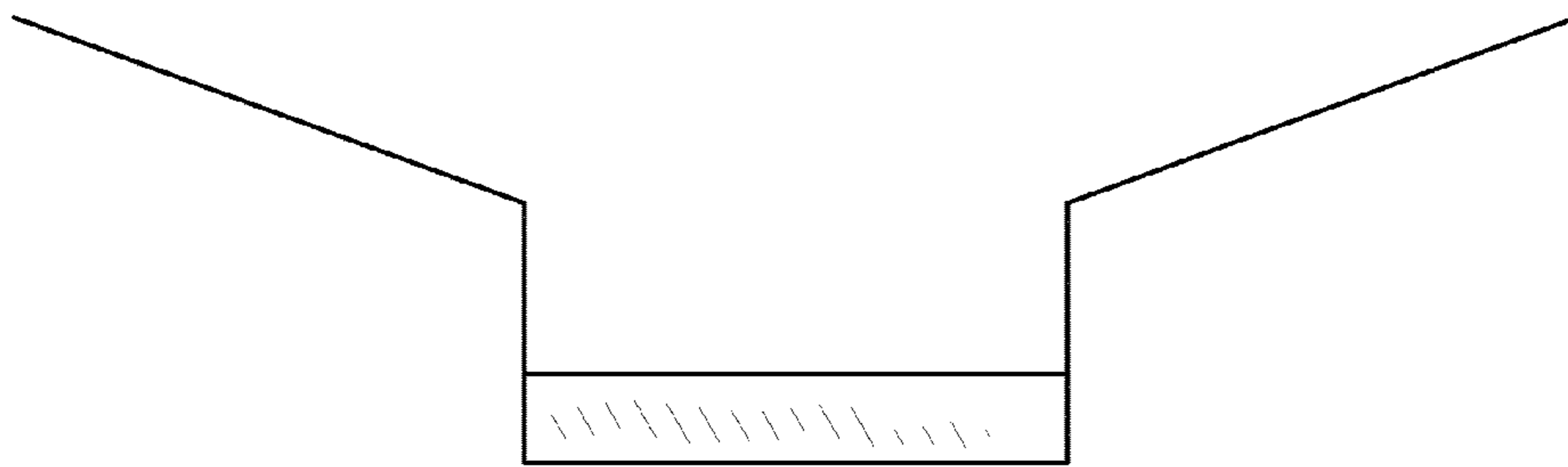


FIG. 5

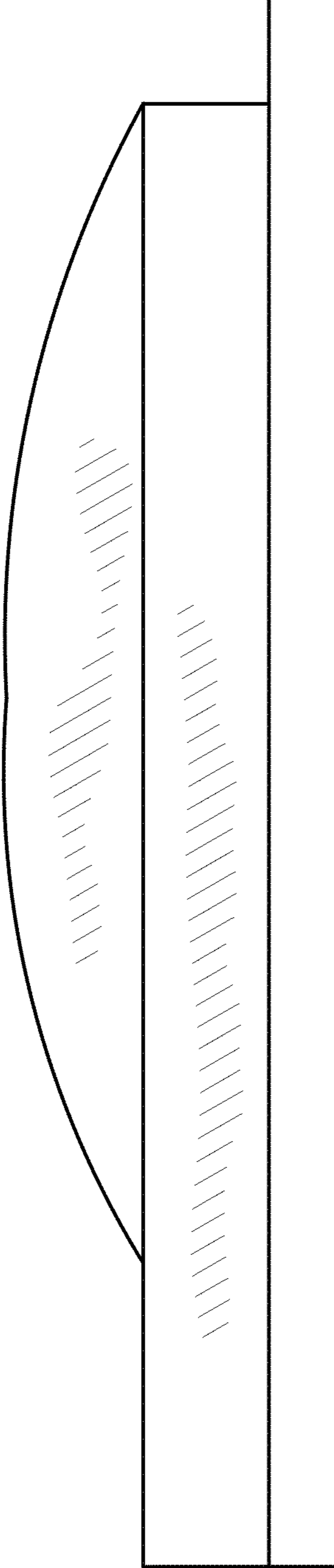


FIG. 6

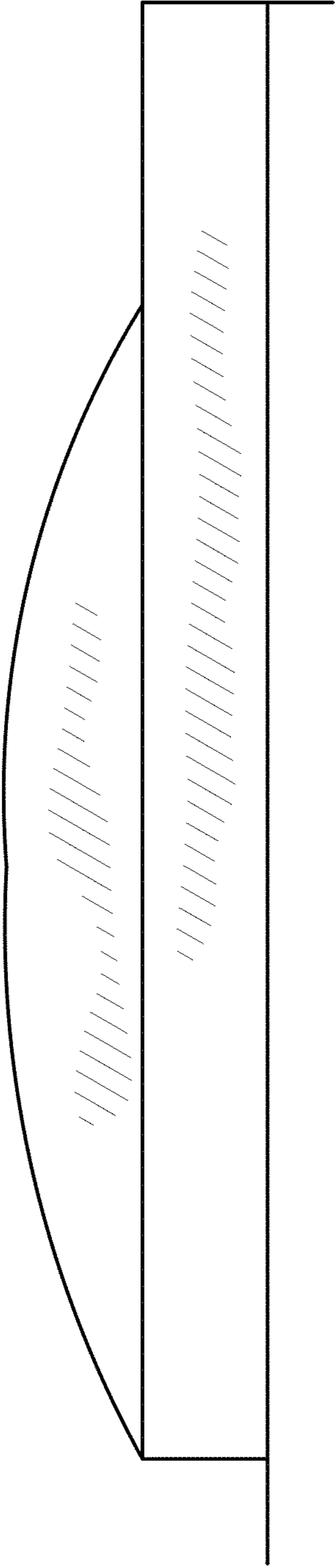


FIG. 7

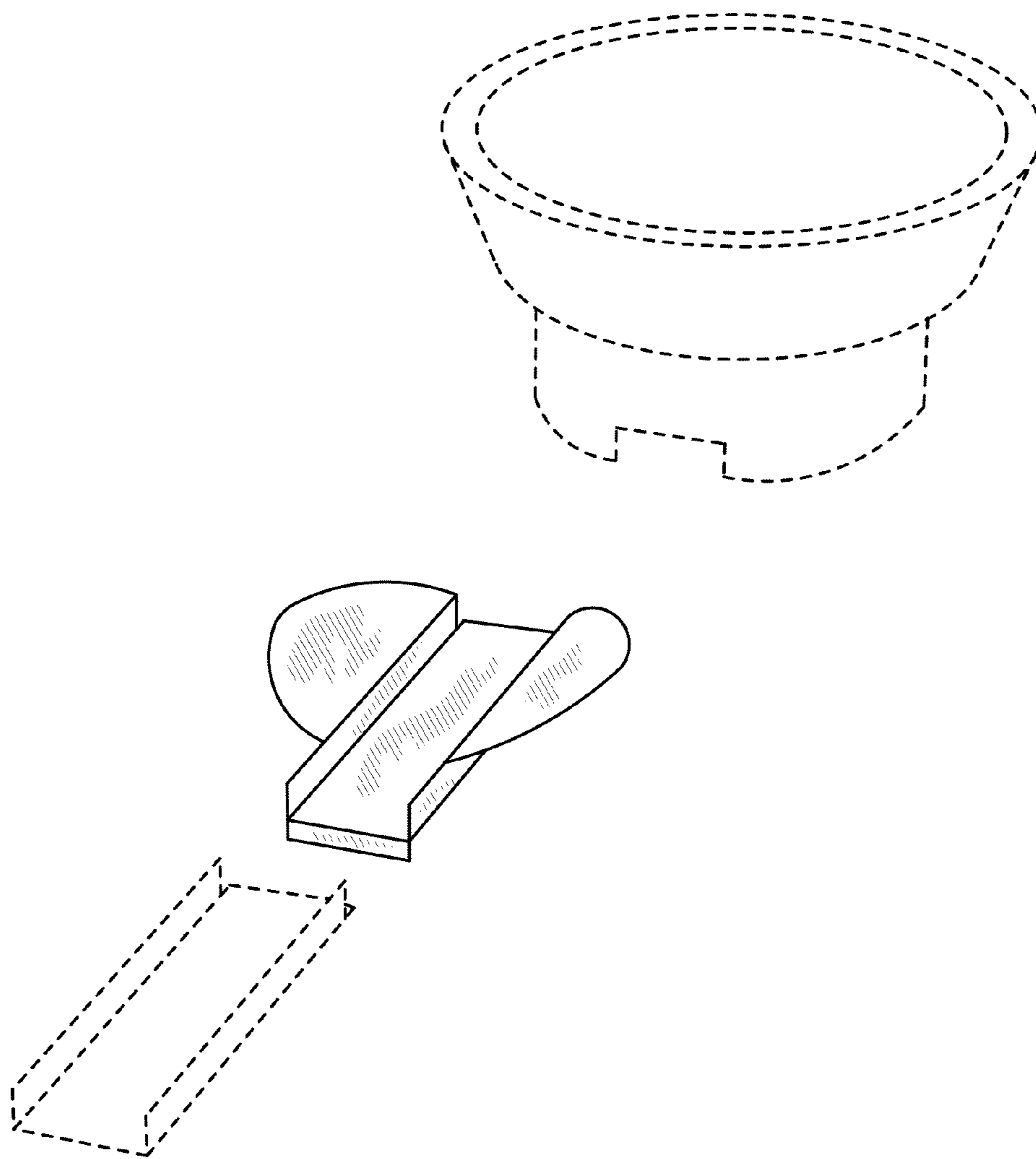


FIG. 8