



US00D680371S

(12) **United States Design Patent**  
**Saboe et al.**

(10) **Patent No.:** **US D680,371 S**  
(45) **Date of Patent:** **\*\* Apr. 23, 2013**

- (54) **CHAFING DISH FRAME**
- (75) Inventors: **J. Michael Saboe**, Charleston, SC (US);  
**David Raynor, Jr.**, Myrtle Beach, SC  
(US); **John E. Cahill, Sr.**, Myrtle Beach,  
SC (US)
- (73) Assignee: **Conquest, LLC**, Charleston, SC (US)
- (\*\*) Term: **14 Years**
- (21) Appl. No.: **29/392,889**
- (22) Filed: **May 27, 2011**

**Related U.S. Application Data**

- (63) Continuation of application No. 29/378,381, filed on  
Nov. 3, 2010, now Pat. No. Des. 644,874.
- (51) **LOC (9) Cl.** ..... **07-02**
- (52) **U.S. Cl.**  
USPC ..... **D7/403; D7/355**
- (58) **Field of Classification Search** ..... **D7/323,**  
**D7/354-361, 365-367, 402, 407-408; 99/324,**  
**99/339, 340, 357; 219/620-622, 429-438,**  
**219/451.1; 220/252, 573.1-574; 248/147;**  
**126/40**  
See application file for complete search history.

**References Cited**

**U.S. PATENT DOCUMENTS**

1,701,989 A	2/1929	Elie
D146,832 S	5/1947	O'Connell
D168,905 S	2/1953	O'Connell
3,361,126 A	1/1968	Bloomfield
D213,717 S	4/1969	Rickmeier
4,122,764 A	10/1978	D'Ambra
4,176,593 A	12/1979	Terzian
4,759,276 A	7/1988	Seagroves
4,899,722 A	2/1990	Horewitch
4,920,873 A	5/1990	Stevens
5,119,800 A	6/1992	Roberts et al.

5,211,157 A	5/1993	Schwartz et al.
5,241,900 A	9/1993	Piane, Sr.
5,381,729 A	1/1995	Hennessy et al.
5,819,640 A	10/1998	Cuomo et al.
D401,805 S	12/1998	Benz
5,977,521 A	11/1999	Mehta et al.
5,979,428 A	11/1999	Greene, Jr.
D434,268 S	11/2000	Yu
6,468,072 B2	10/2002	Shook
D468,580 S	1/2003	Ruiseco
6,593,551 B2	7/2003	Haber

(Continued)

*Primary Examiner* — T. Chase Nelson

*Assistant Examiner* — Mark Cavanna

(74) *Attorney, Agent, or Firm* — Nelson Mullins Riley &  
Scarborough LLP

(57)

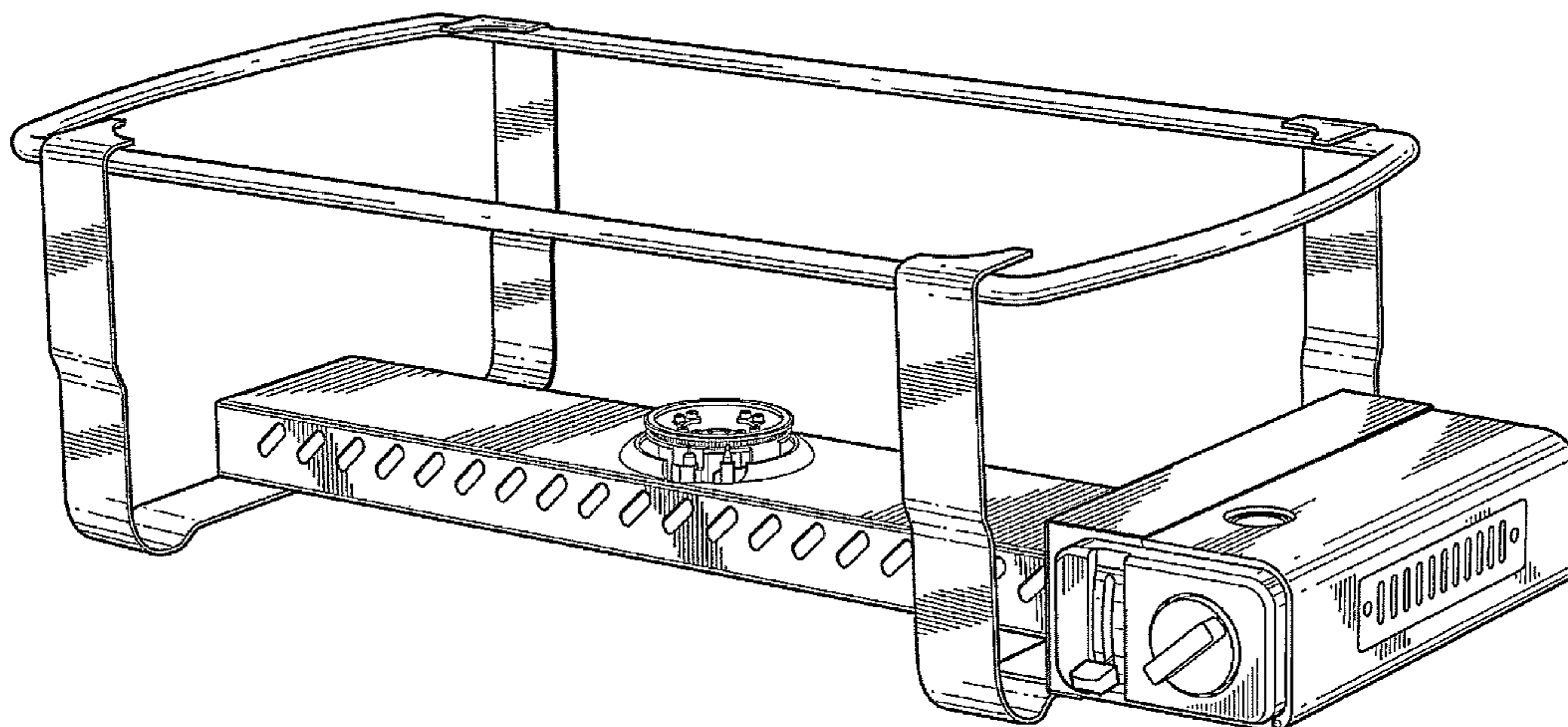
**CLAIM**

The ornamental design for chafing dish frame, as shown and  
described.

**DESCRIPTION**

FIG. 1 shows a perspective view of a chafing dish frame;  
FIG. 2 shows a front elevation view of the chafing dish frame  
of FIG. 1;  
FIG. 3 shows a right side elevation view of the chafing dish  
frame of FIG. 1;  
FIG. 4 shows a rear elevation view of the chafing dish frame  
of FIG. 1;  
FIG. 5 shows a left side elevation view of the chafing dish  
frame of FIG. 1;  
FIG. 6 shows a top plan view of the chafing dish frame of FIG.  
1; and,  
FIG. 7 shows a bottom plan view of the chafing dish frame of  
FIG. 1.  
The broken lines are included for the purpose of illustrating  
portions of the chafing dish frame that form no part of the  
claimed design.

**1 Claim, 7 Drawing Sheets**



# US D680,371 S

Page 2

---

## U.S. PATENT DOCUMENTS

D488,669 S 4/2004 Tse  
6,872,920 B2 3/2005 Haber  
6,941,943 B1 9/2005 Cahill et al.  
7,090,094 B2 8/2006 Wade  
D548,001 S 8/2007 Gross  
7,708,006 B2 5/2010 Sun

D626,377 S \* 11/2010 Contreras et al. .... D7/402  
2003/0192525 A1 10/2003 Ruiseco  
2005/0076795 A1 4/2005 Riddle  
2005/0150395 A1 7/2005 Olekaibe et al.  
2005/0167381 A1 8/2005 Fariello  
2006/0090744 A1 5/2006 Wojcik et al.

\* cited by examiner

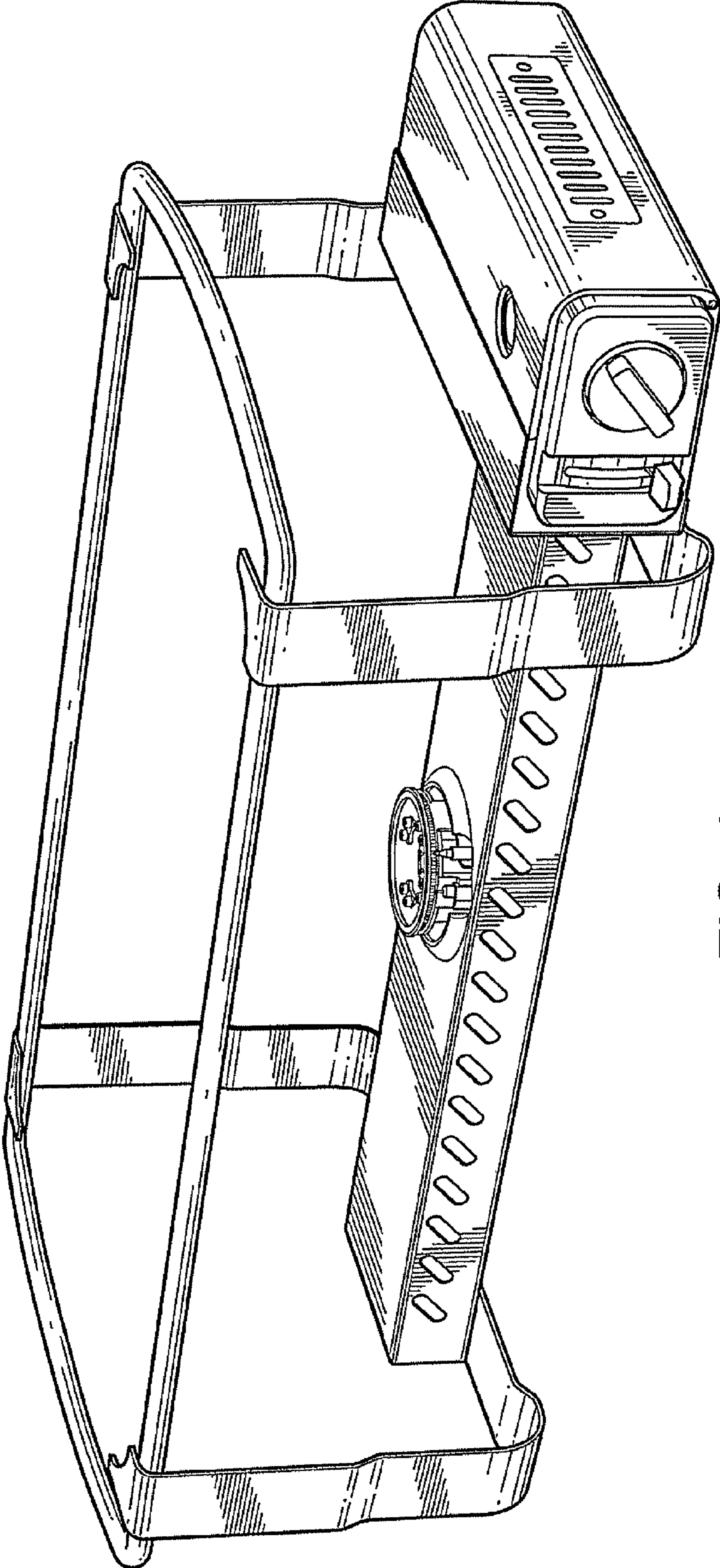


FIG. 1

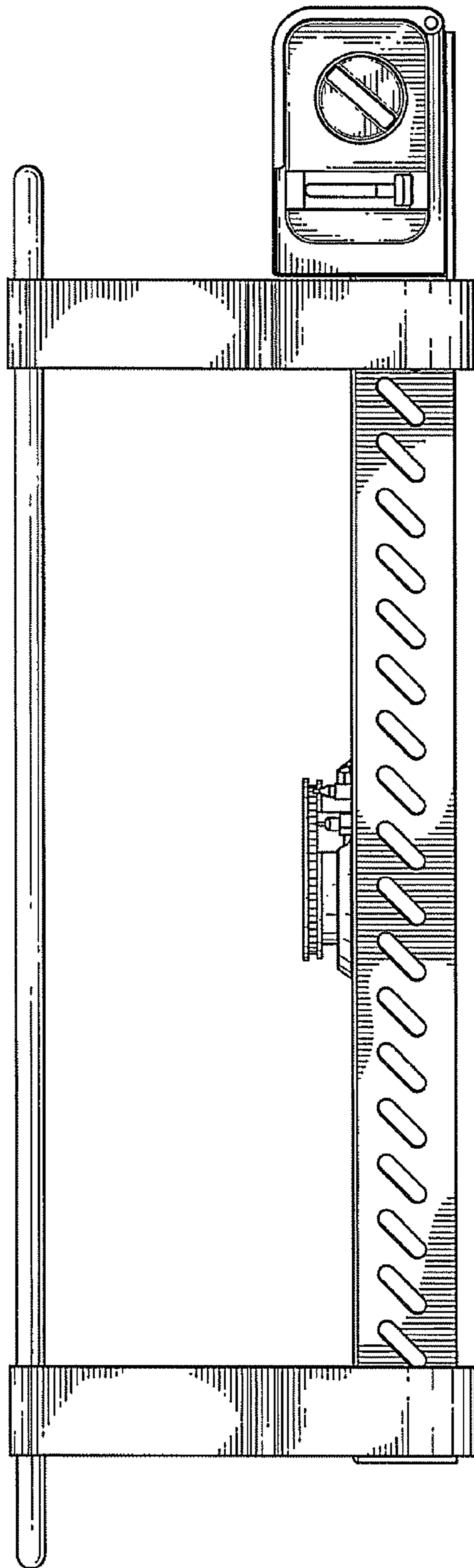


FIG. 2

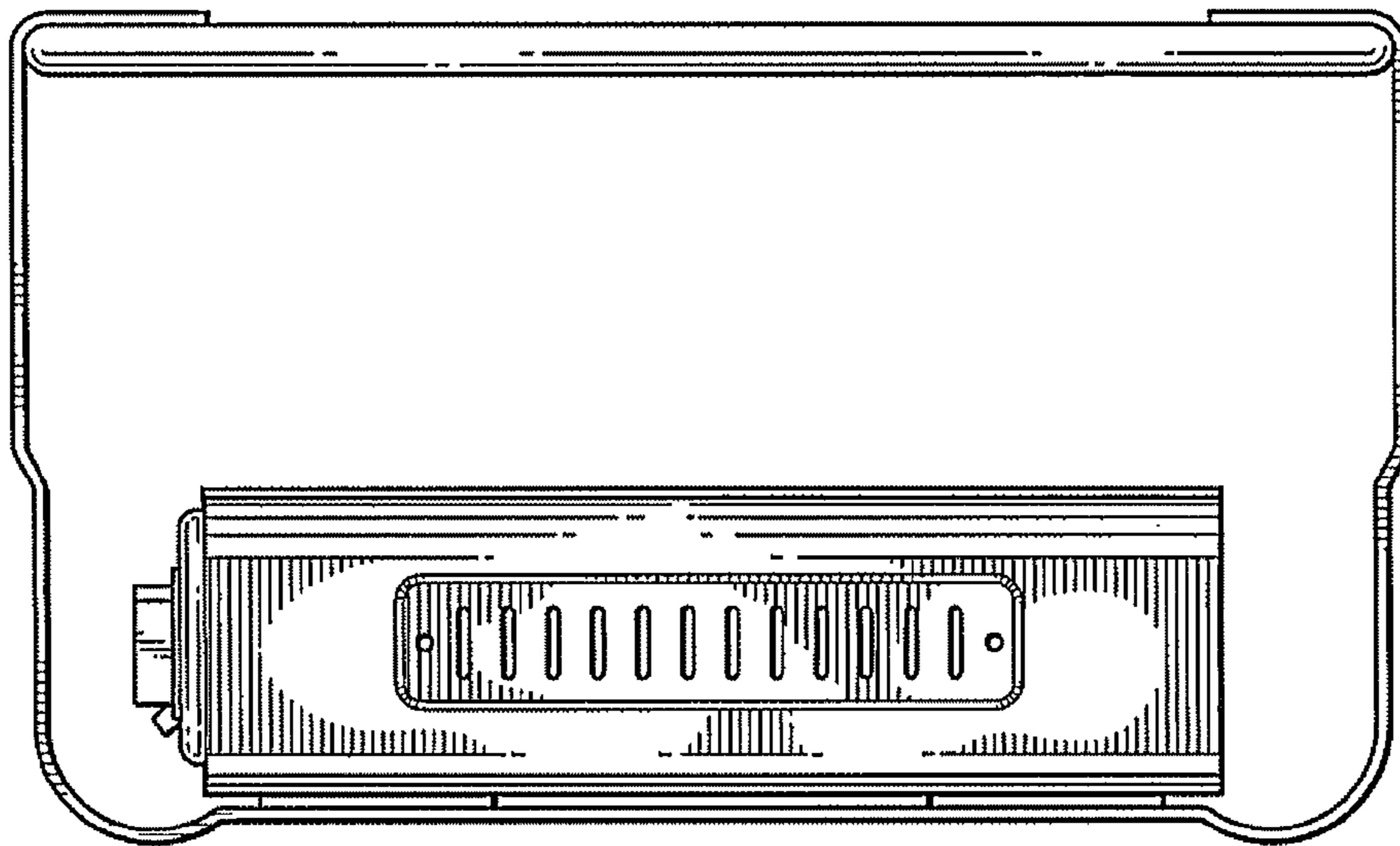


FIG. 3

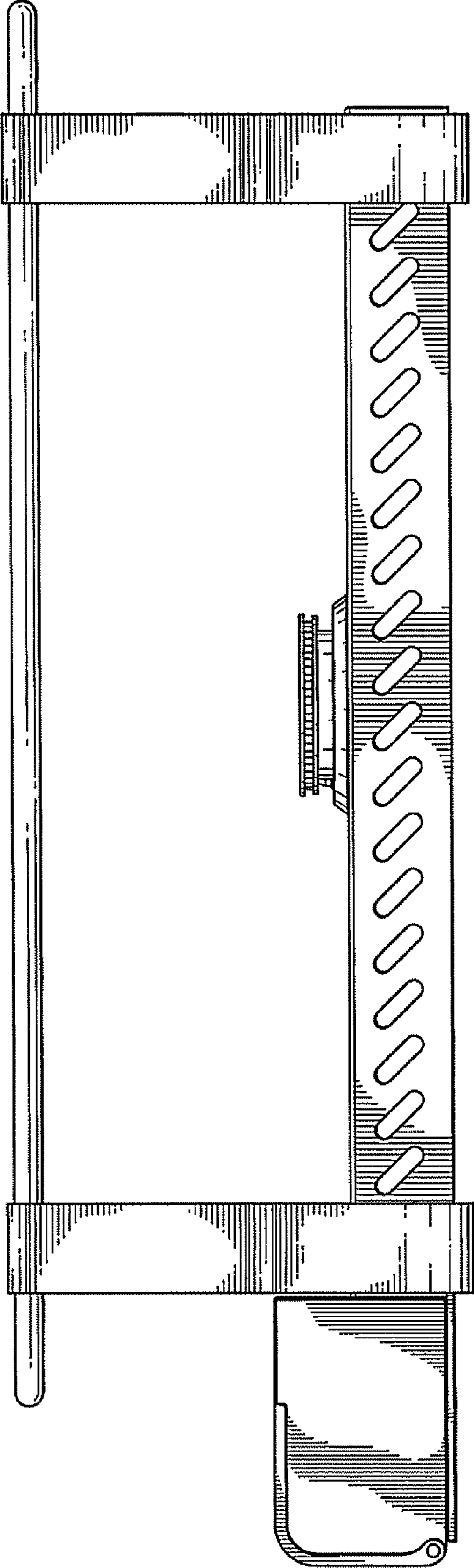


FIG. 4

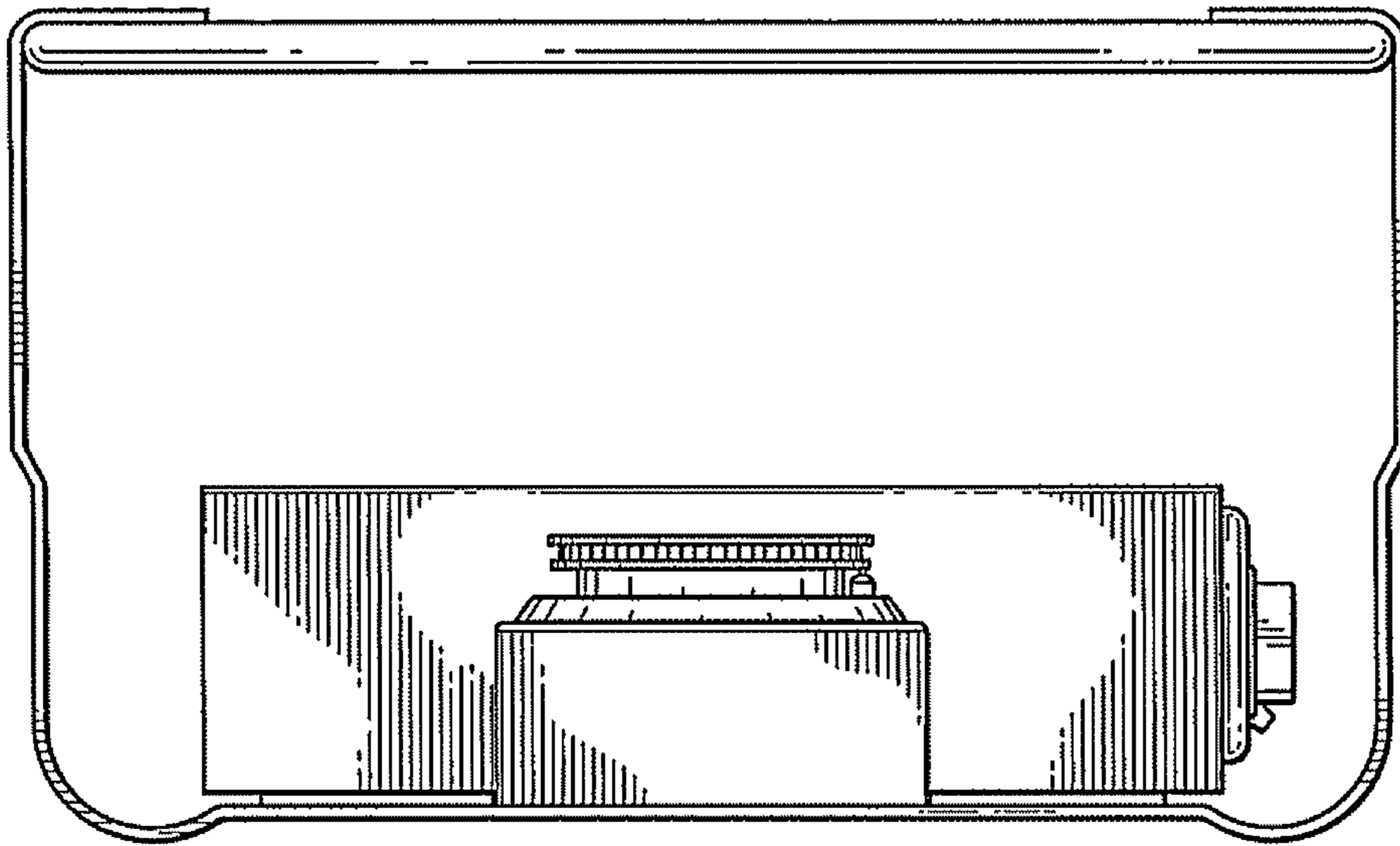


FIG. 5

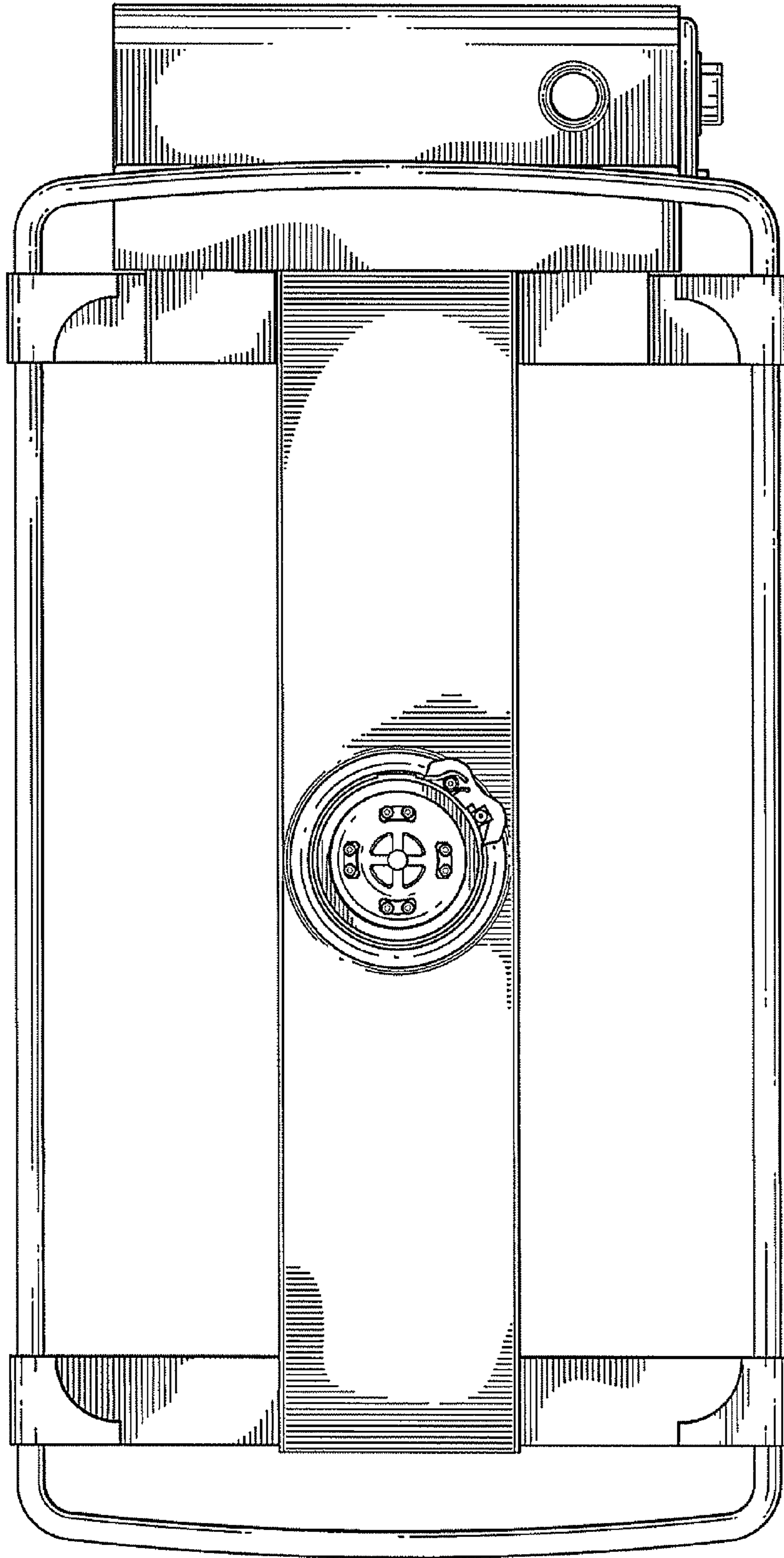


FIG. 6



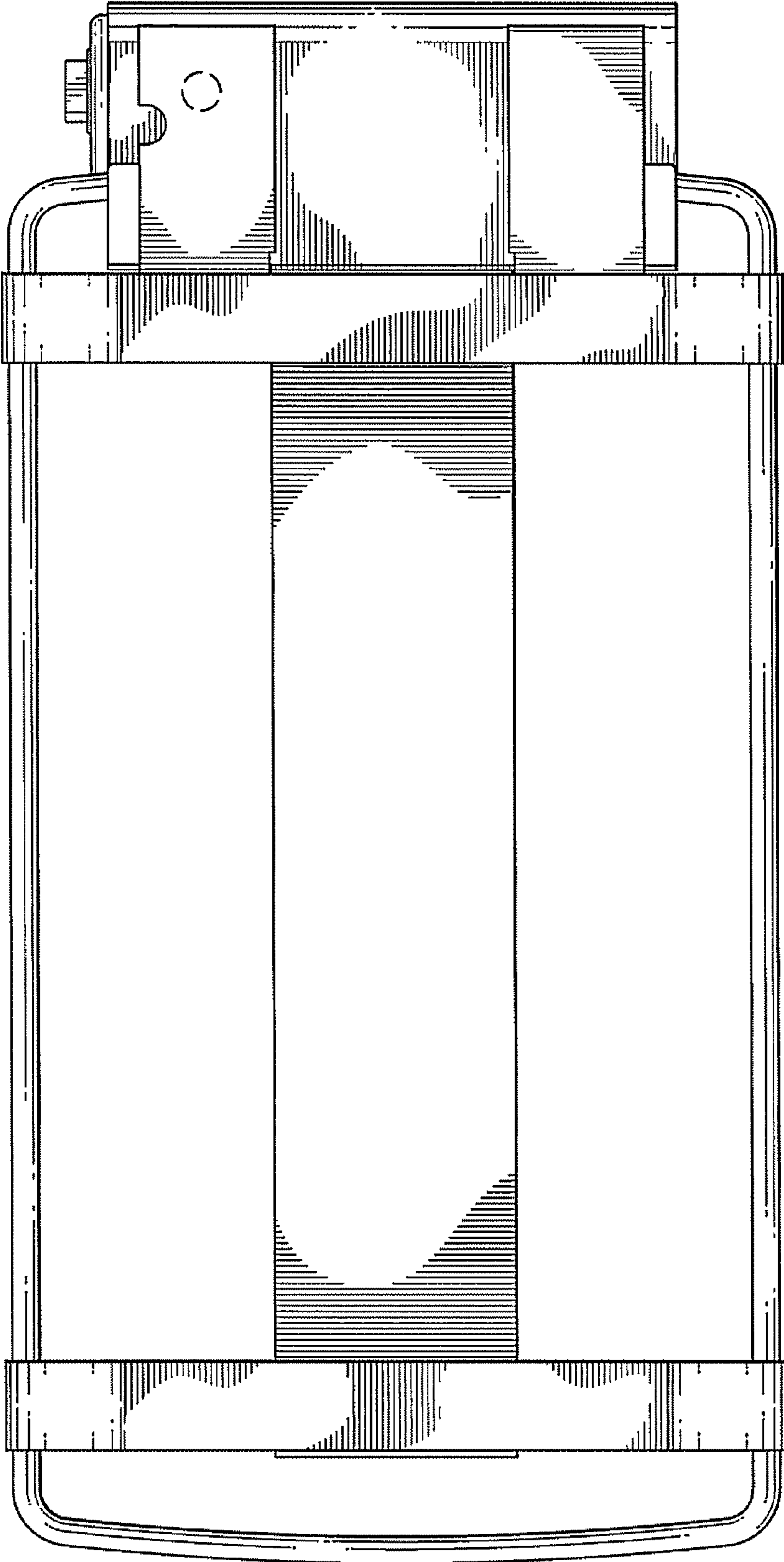


FIG. 7