



US00D680370S

(12) **United States Design Patent**
Ohno et al.

(10) **Patent No.:** **US D680,370 S**

(45) **Date of Patent:** **** Apr. 23, 2013**

(54) **MICROWAVE OVEN**

(75) Inventors: **Haruka Ohno**, Kyoto (JP); **Ken Ohmae**, Shiga (JP)

(73) Assignee: **Panasonic Corporation**, Osaka (JP)

(**) Term: **14 Years**

(21) Appl. No.: **29/418,859**

(22) Filed: **Apr. 23, 2012**

(51) **LOC (9) Cl.** **07-02**

(52) **U.S. Cl.**
USPC **D7/402**

(58) **Field of Classification Search** D7/350.1-350.4,
D7/351, 402, 405, 406; 219/756-758, 391;
126/19 M, 21 A, 275 E; 99/352; D13/171,
D13/174; D8/310-311
See application file for complete search history.

(56) **References Cited**

U.S. PATENT DOCUMENTS

D233,892 S *	12/1974	Kay	D13/171
D335,283 S *	5/1993	Justiniano et al.	D13/171
D421,966 S *	3/2000	Allen et al.	D13/174
D469,411 S *	1/2003	Decosse	D13/174
D524,594 S	7/2006	Kanza		
D533,144 S *	12/2006	Asada	D13/171
D533,846 S *	12/2006	Burton	D13/171
D586,617 S *	2/2009	Martin et al.	D7/405
D598,870 S *	8/2009	Asada	D13/171

FOREIGN PATENT DOCUMENTS

CN	200430001321.0	1/2004
EM	000300249-0001	5/2005

* cited by examiner

Primary Examiner — Ruth McInroy

(74) *Attorney, Agent, or Firm* — Brinks Hofer Gilson & Lione

(57) **CLAIM**

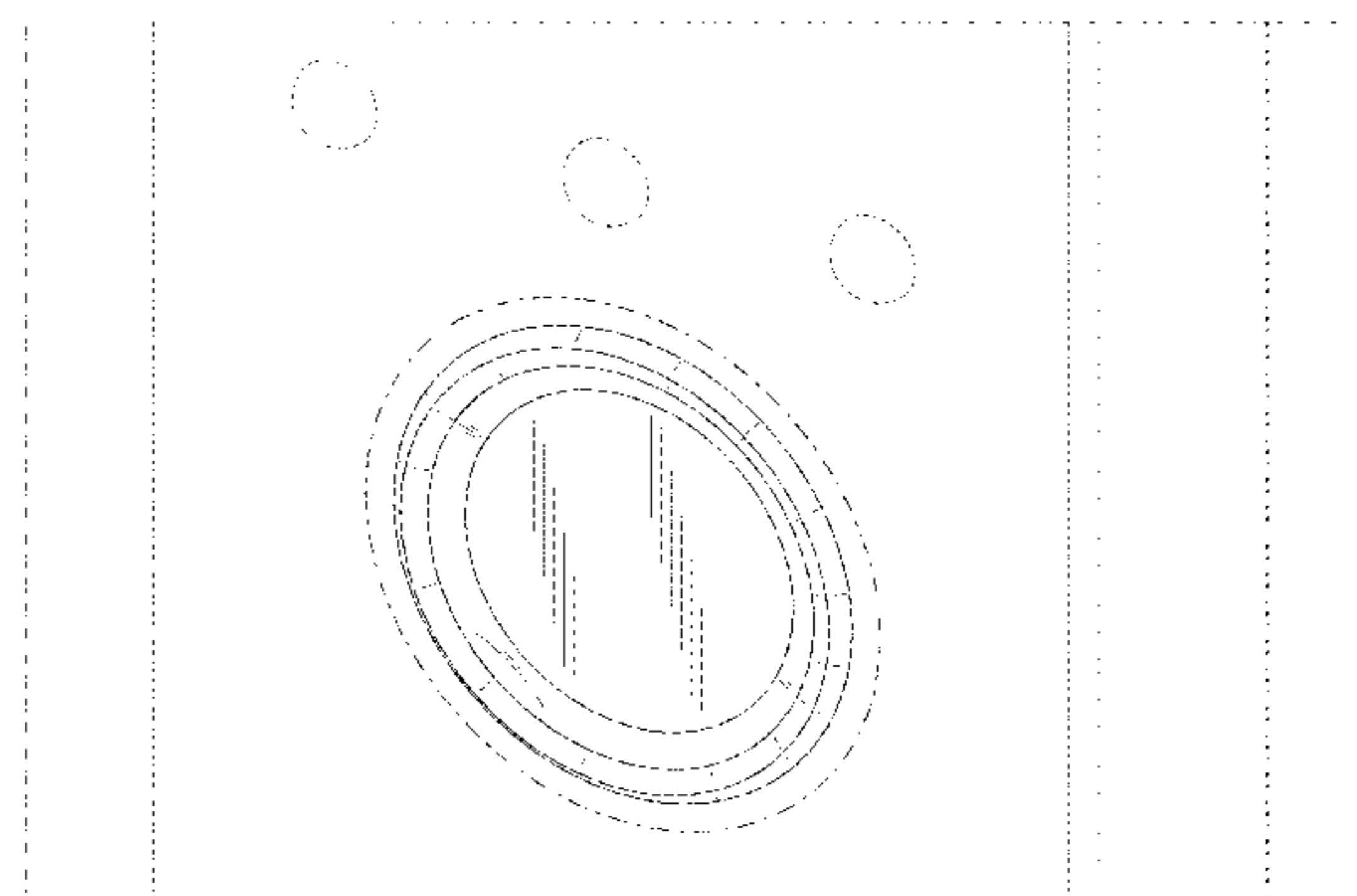
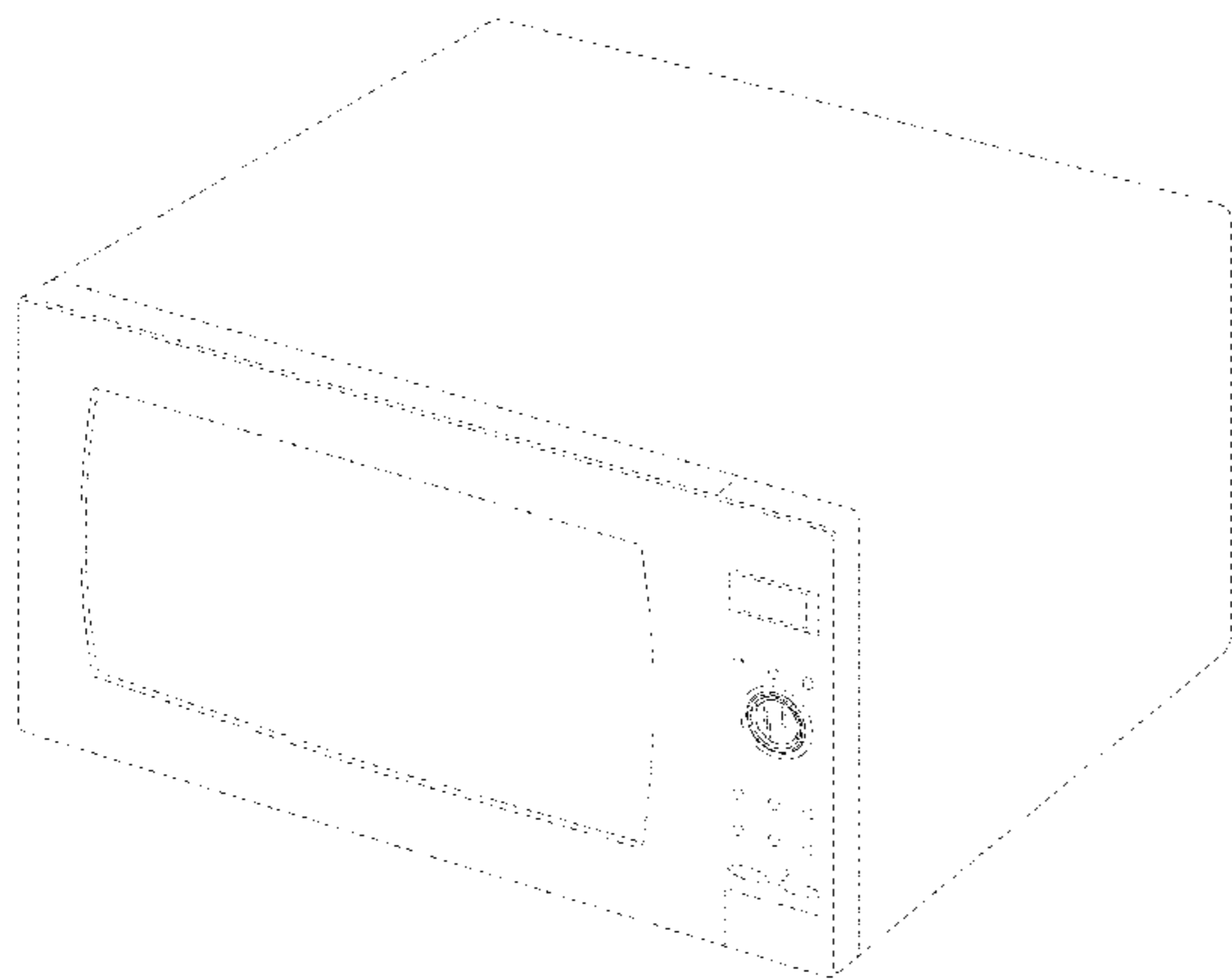
We claim the ornamental design for a microwave oven, as shown and described.

DESCRIPTION

FIG. 1 is a front perspective view of a first embodiment of a microwave oven of the present invention;
 FIG. 2 is a front view thereof;
 FIG. 3 is a rear view thereof;
 FIG. 4 is a first side view thereof;
 FIG. 5 is a second side view thereof;
 FIG. 6 is a top view thereof;
 FIG. 7 is a bottom view thereof;
 FIG. 8 is an enlarged front perspective view thereof;
 FIG. 9 is a cross-section view taken along the line 9-9 of FIG. 4;
 FIG. 10 is a front perspective view of a second embodiment of a microwave oven of the present invention;
 FIG. 11 is a front view thereof;
 FIG. 12 is a rear view thereof;
 FIG. 13 is a first side view thereof;
 FIG. 14 is a second side view thereof;
 FIG. 15 is a top view thereof;
 FIG. 16 is a bottom view thereof;
 FIG. 17 is an enlarged front perspective view thereof; and,
 FIG. 18 is a cross-section view taken along the line 18-18 of FIG. 13.

The broken lines represent unclaimed subject matter and form no part of the claimed design. Additionally, the dash-dot-dash lines around the control knob in FIGS. 1, 2, 8, 10, 11 and 17 define the limits of the claimed design.

1 Claim, 18 Drawing Sheets



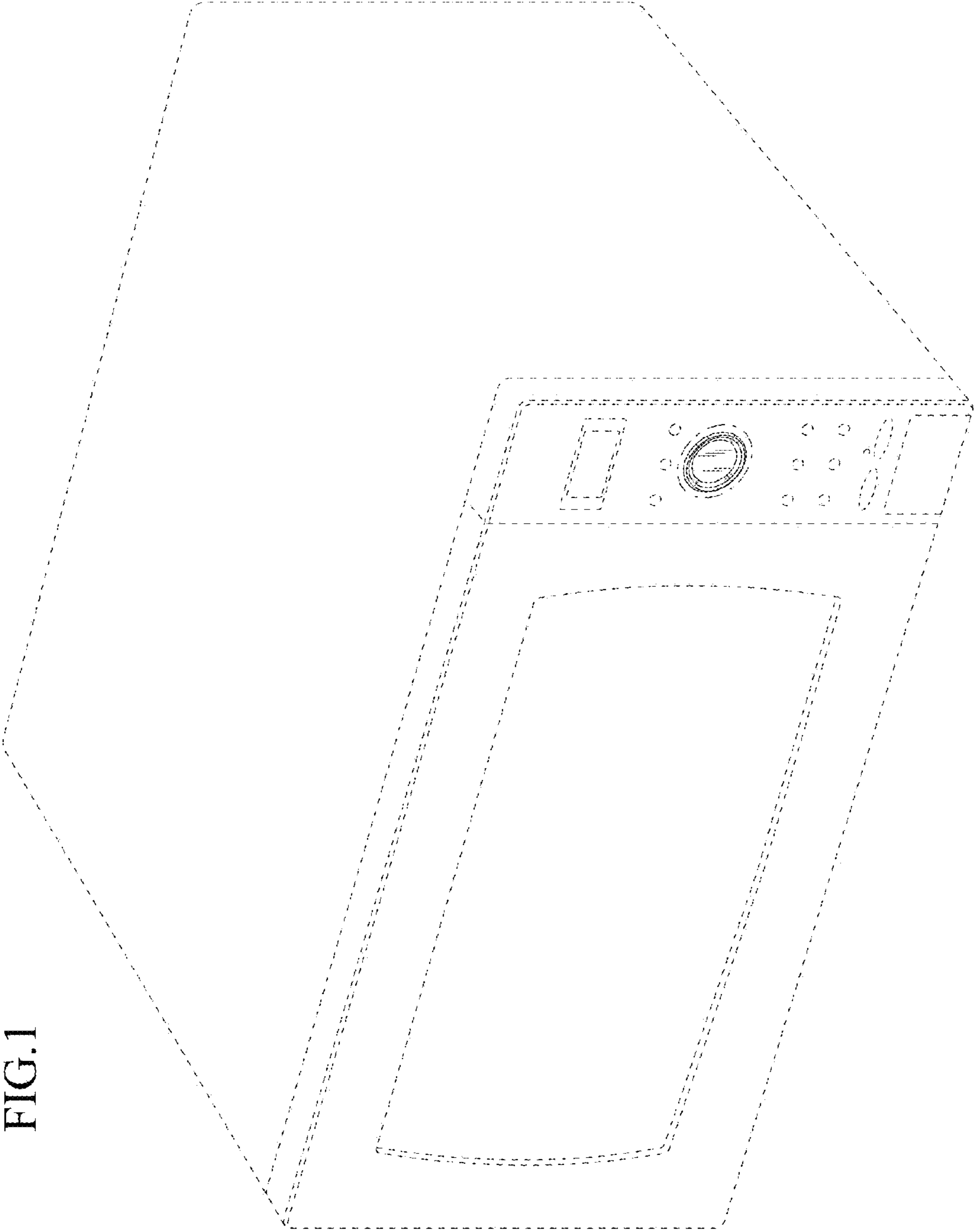


FIG. 1

FIG. 2

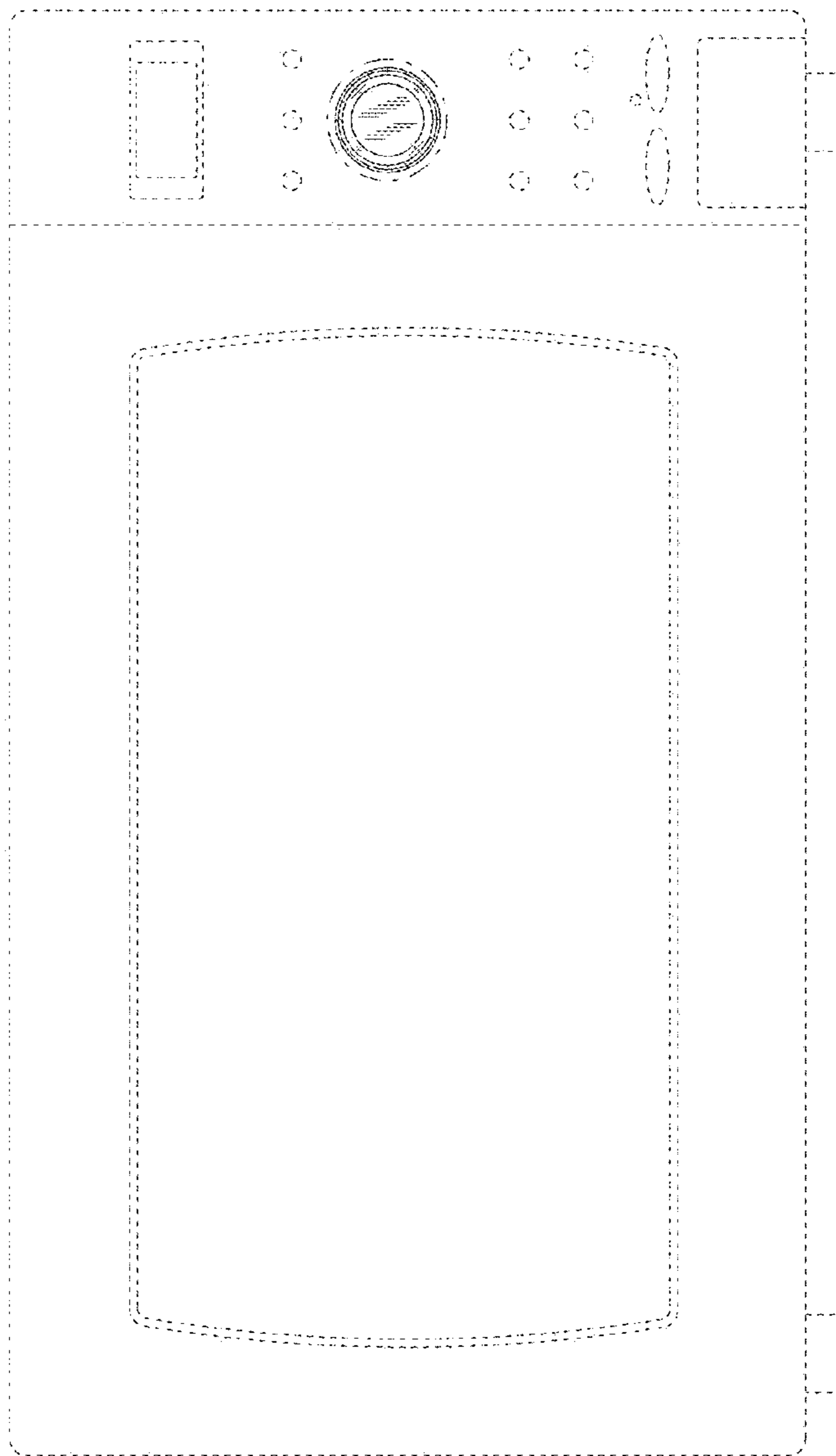


FIG.3

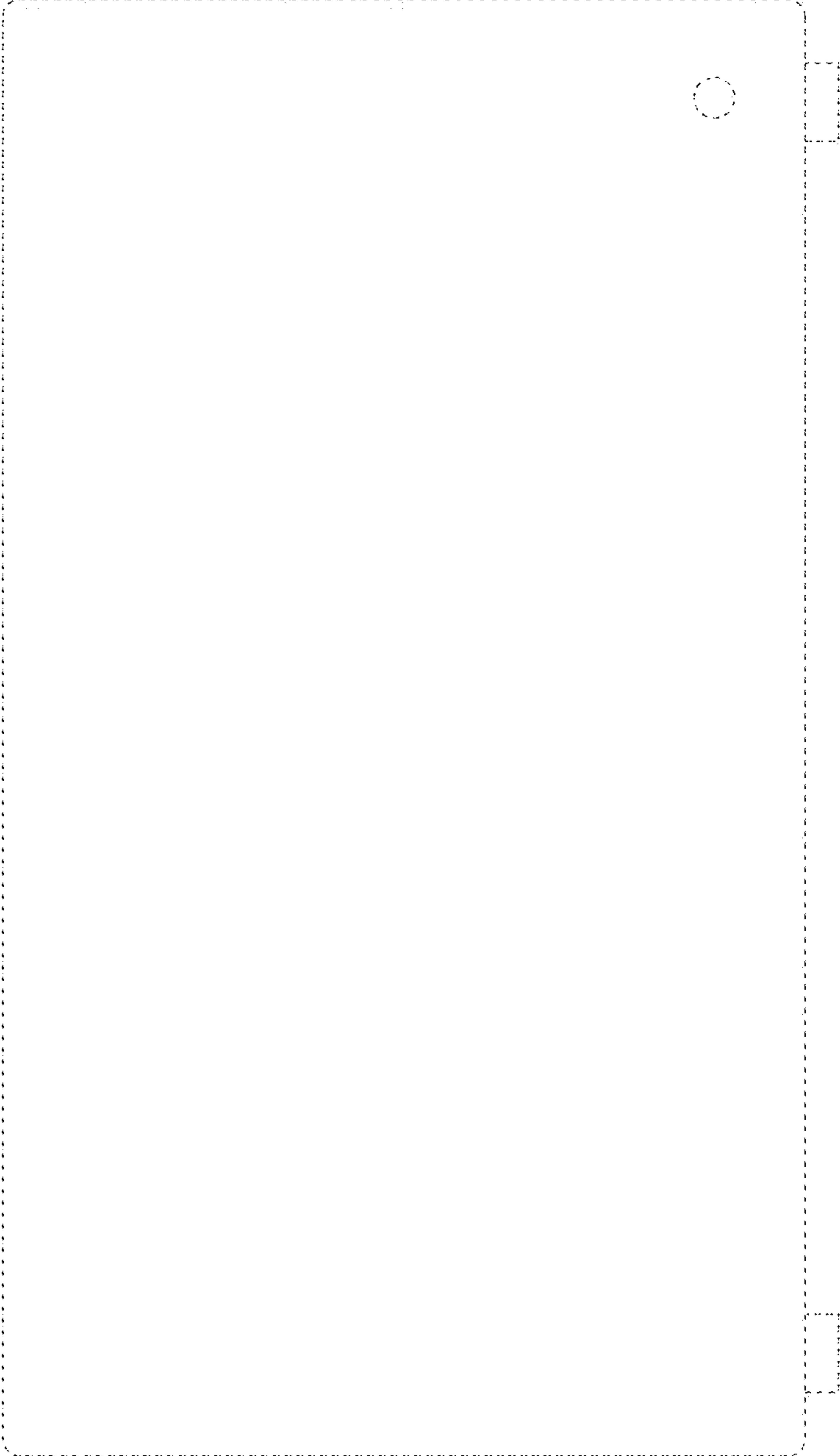


FIG.4



FIG. 5



FIG. 6

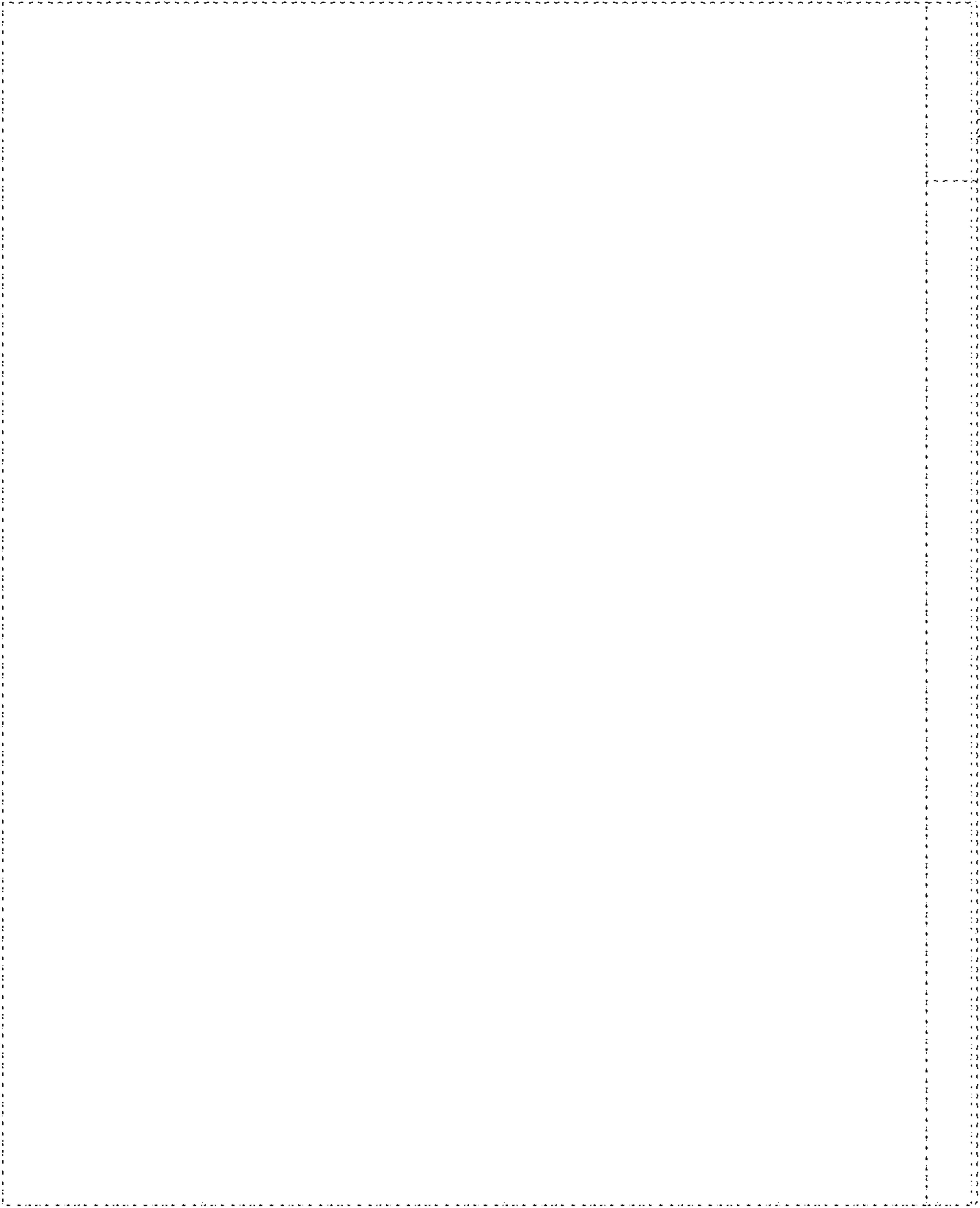


FIG.7

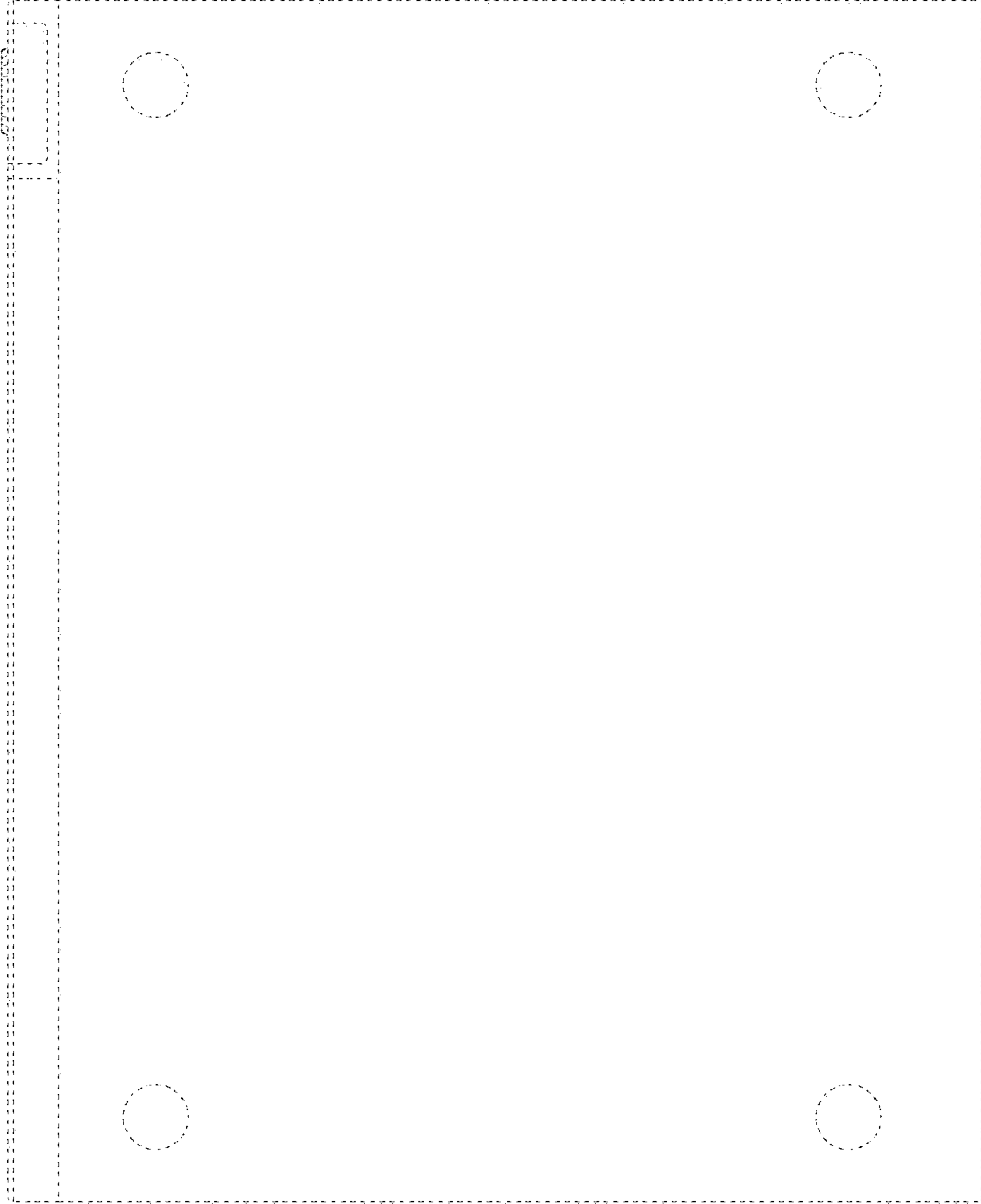


FIG. 8

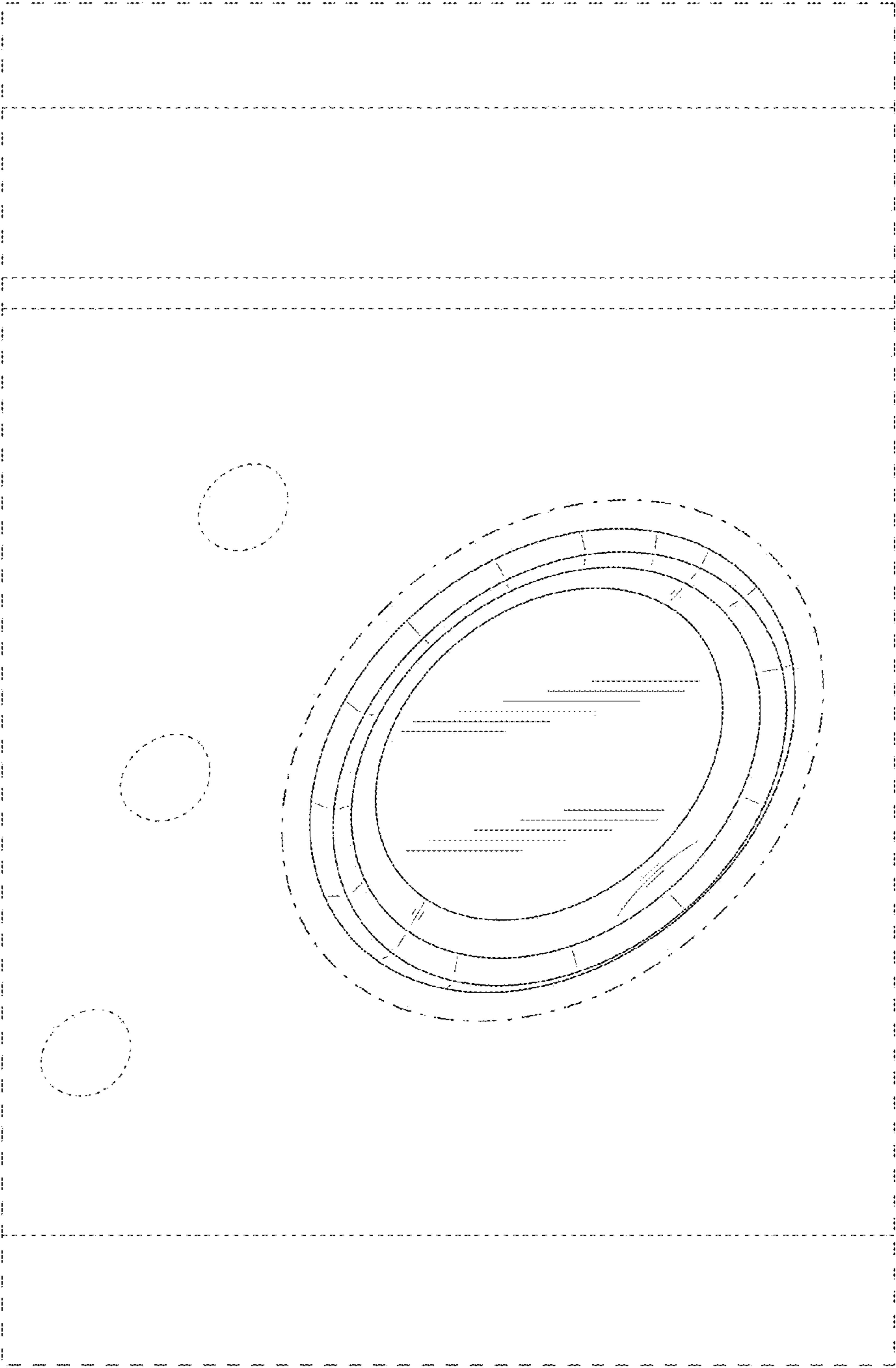
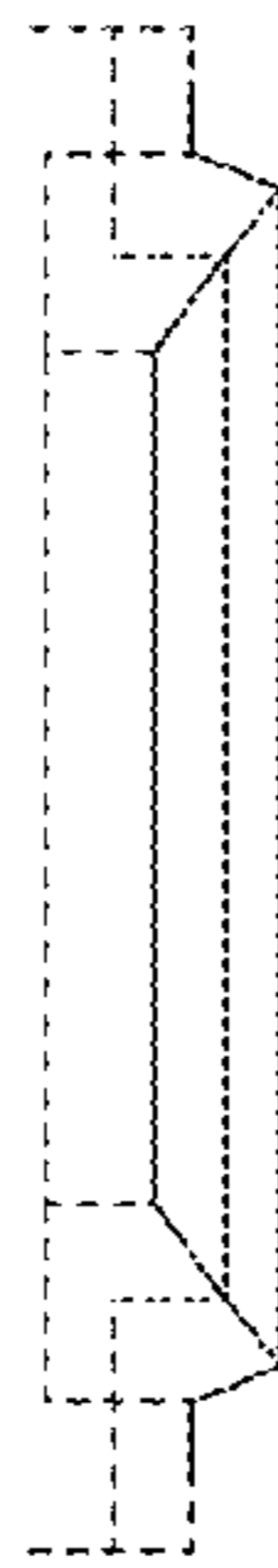


FIG.9



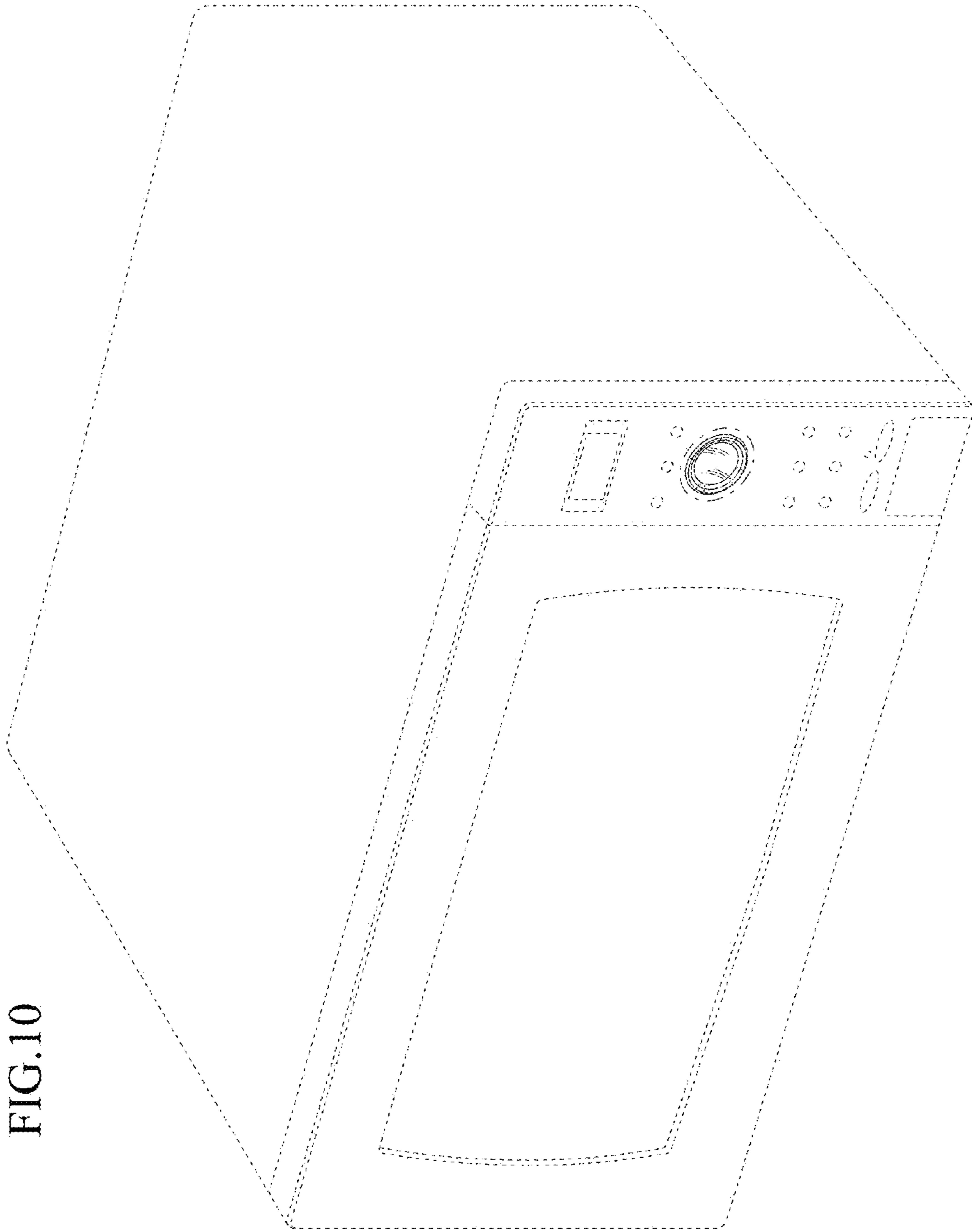


FIG. 10

FIG.11

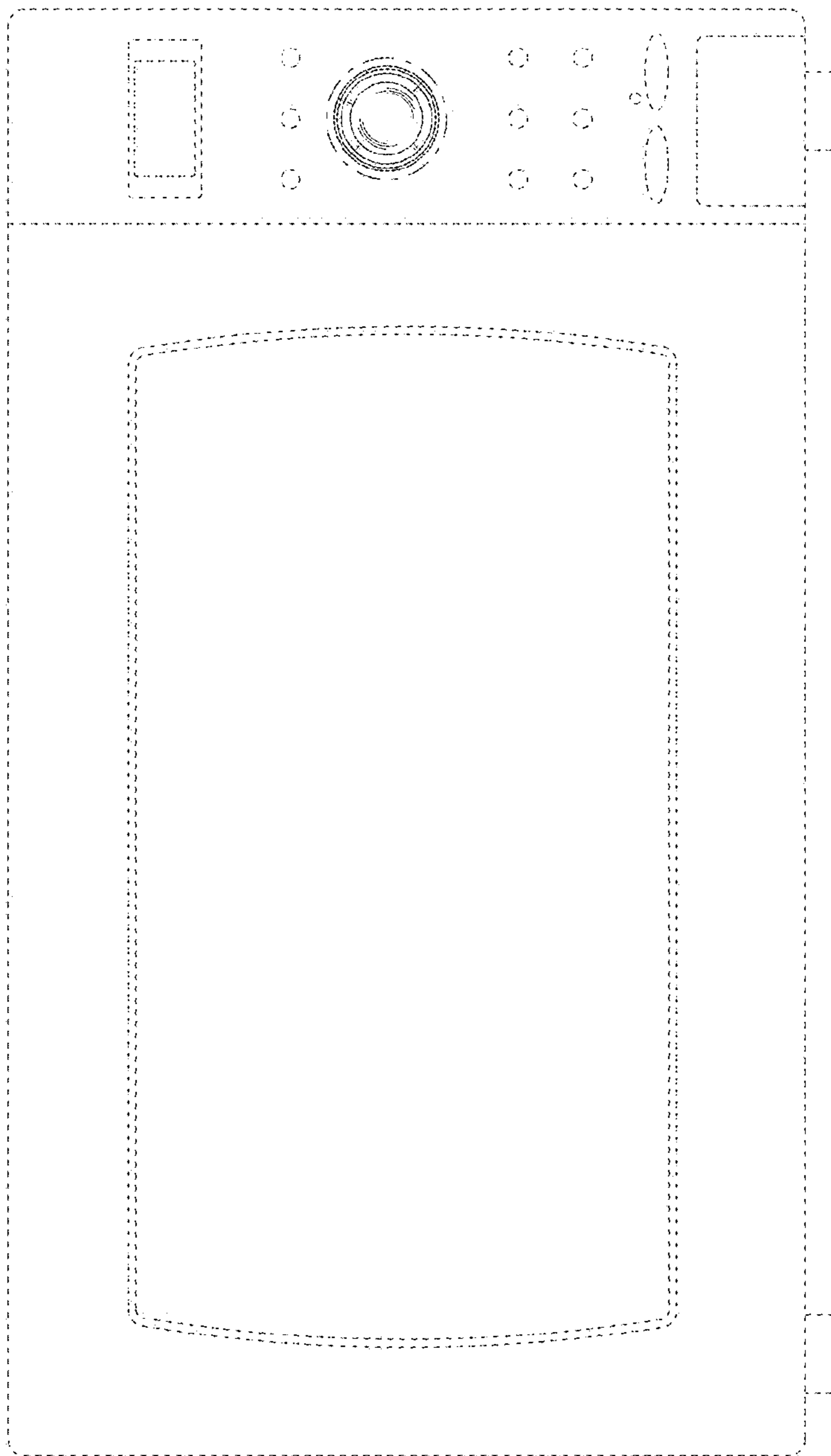


FIG.12

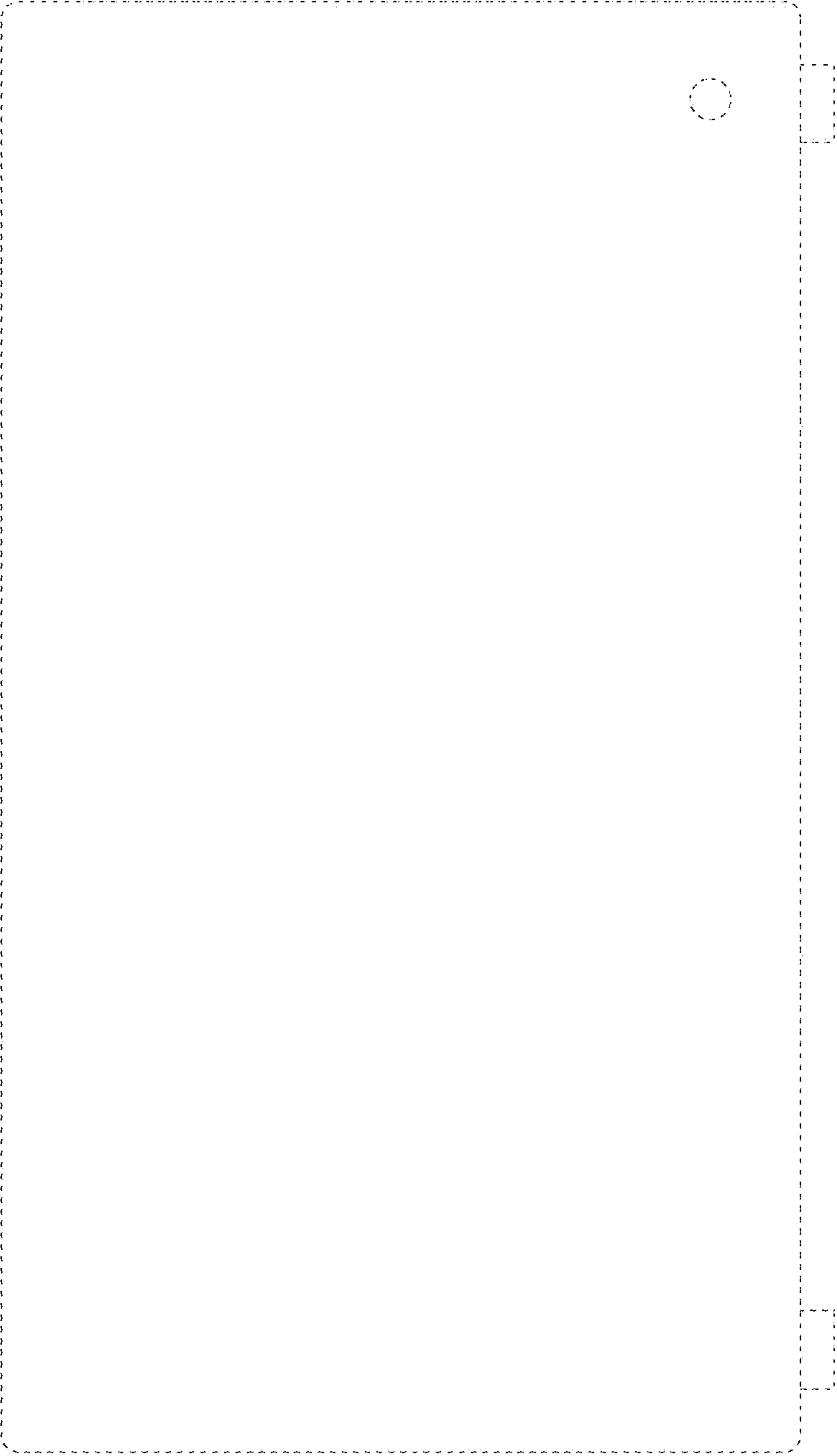


FIG.13

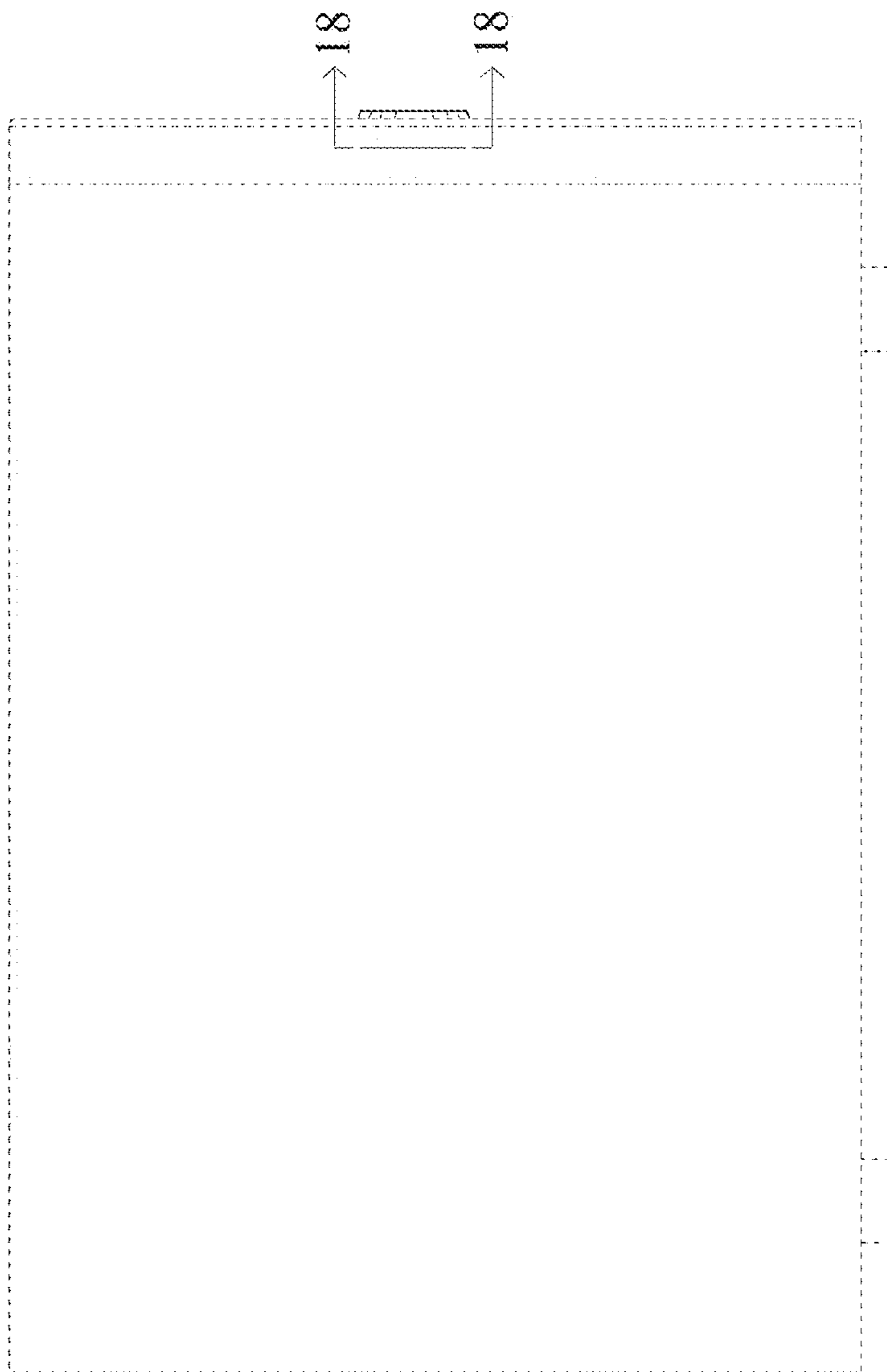


FIG. 14



FIG. 15

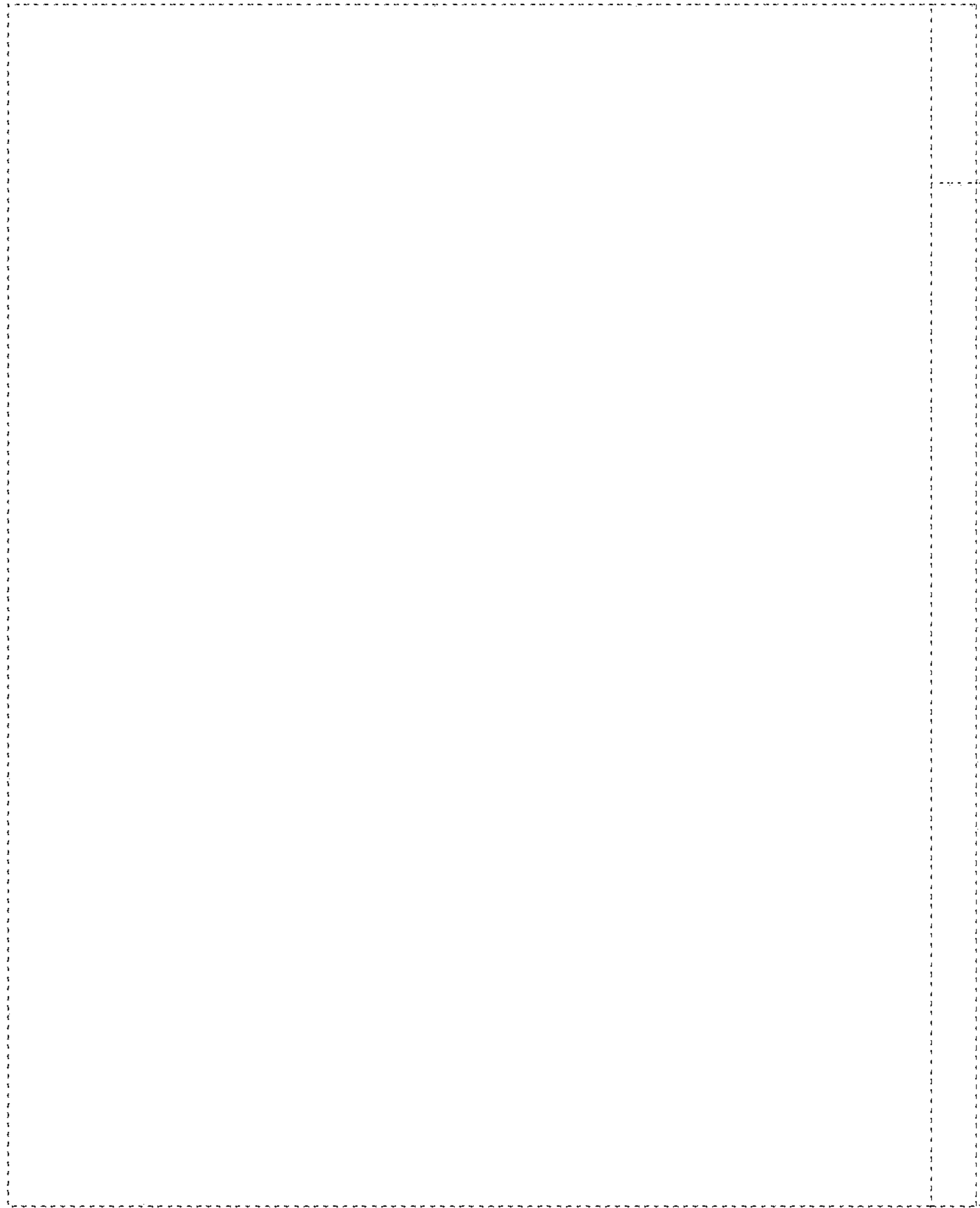


FIG.16

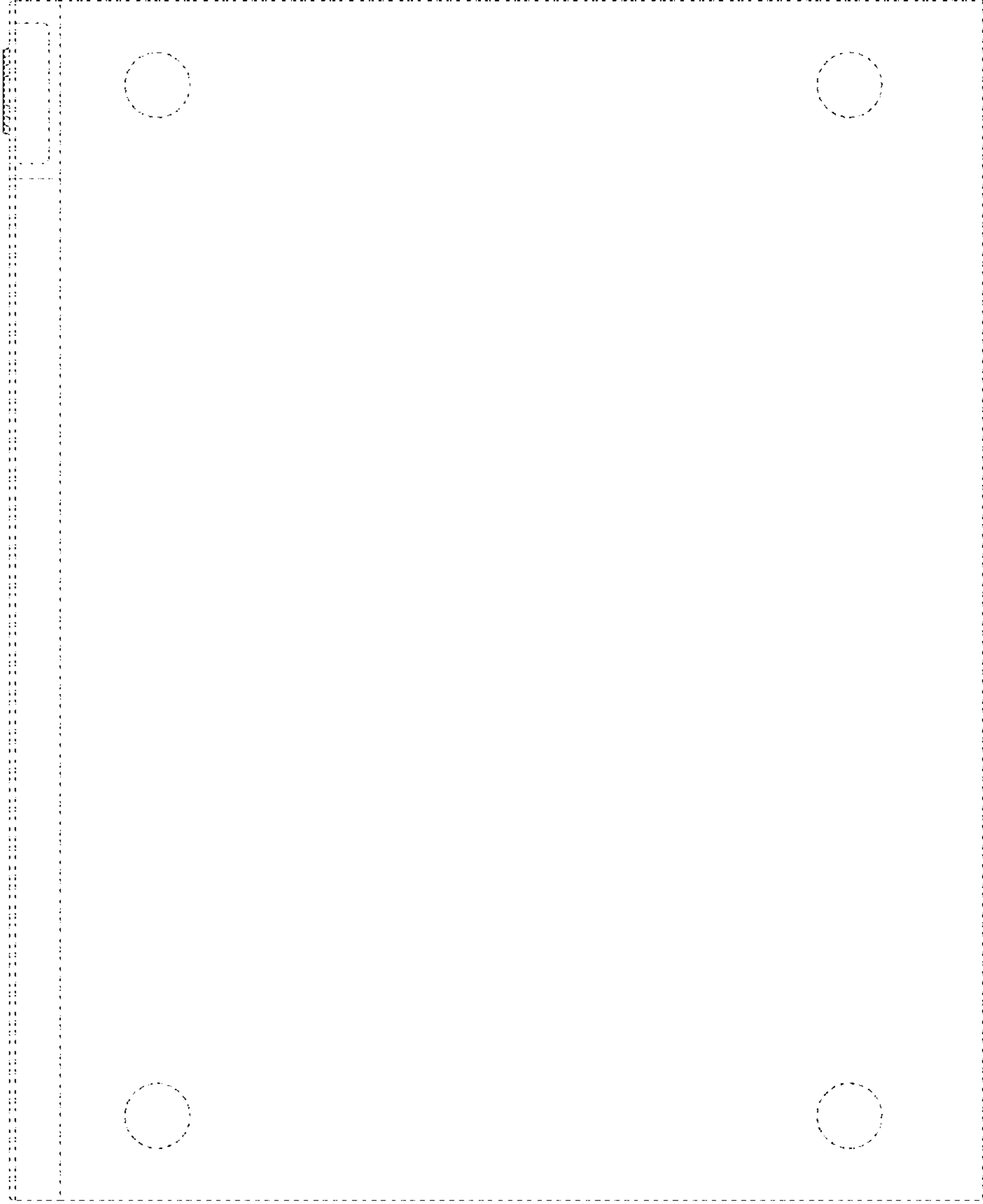


FIG.17

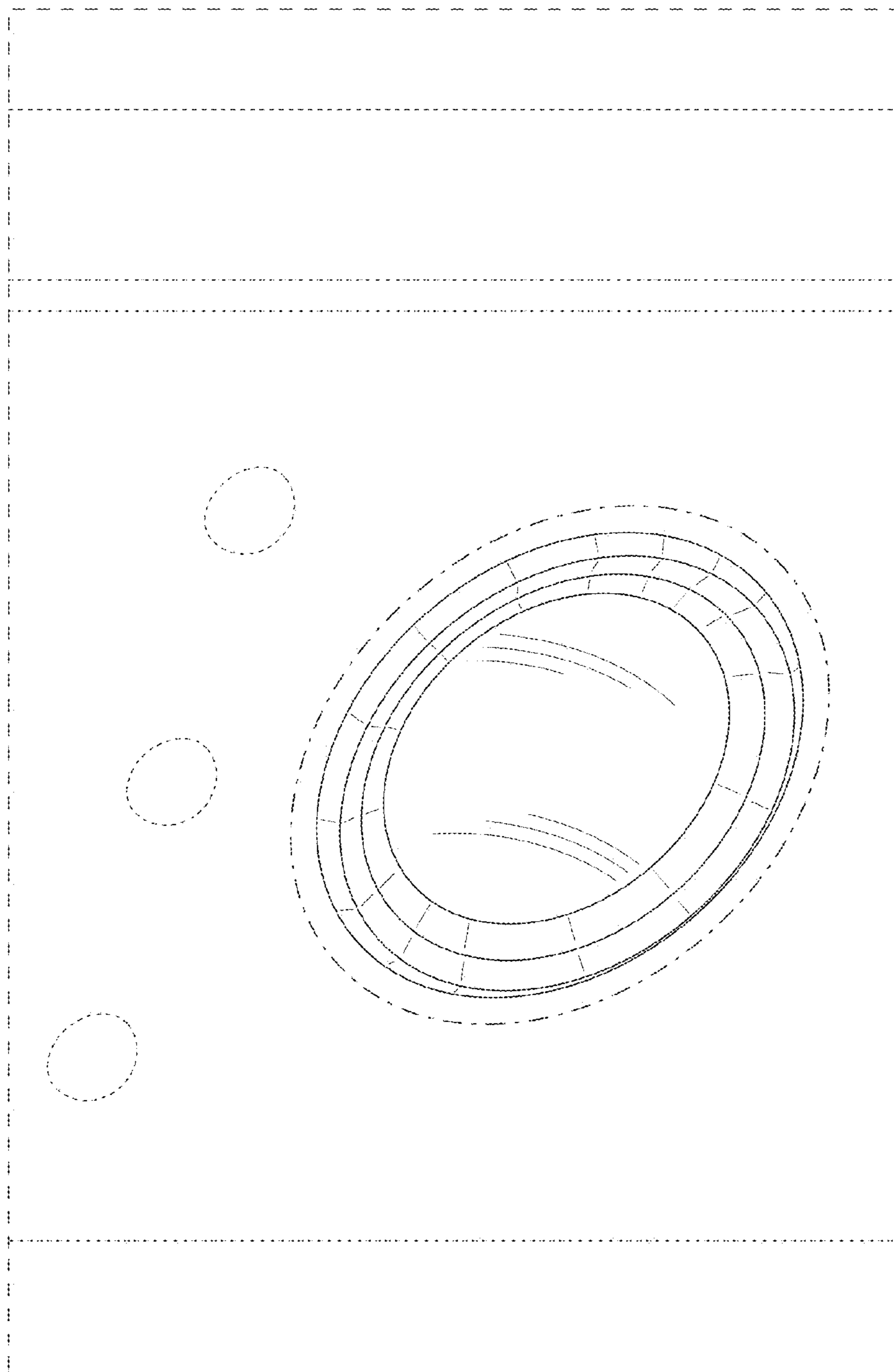


FIG. 18

