



US00D680369S

(12) **United States Design Patent**
Starks

(10) **Patent No.:** **US D680,369 S**

(45) **Date of Patent:** **** Apr. 23, 2013**

- (54) **LID FOR A BEVERAGE CONTAINER HOLDER**
- (76) Inventor: **Douglas E. Starks**, Loveland, CO (US)
- (**) Term: **14 Years**
- (21) Appl. No.: **29/374,642**
- (22) Filed: **Sep. 13, 2011**
- (51) **LOC (9) Cl.** **07-02**
- (52) **U.S. Cl.**
USPC **D7/392.1**
- (58) **Field of Classification Search** D7/391,
D7/392, 392.1, 393, 396.2, 509-511, 629,
D7/900; D9/435, 436, 443, 446, 449, 452,
D9/453, 454, 456; 222/480, 507, 546, 548,
222/553, 565; 220/210, 212.5, 703, 709,
220/711, 717, 731, 783, 780, 788, 792, 793;
215/11.1-11.6

See application file for complete search history.

(56) **References Cited**

U.S. PATENT DOCUMENTS

2,203,540	A *	6/1940	Montgomery	312/204
2,802,499	A *	8/1957	Tupper	366/347
D321,325	S *	11/1991	Petrus	D9/435
D373,704	S *	9/1996	Doxey	D7/391
5,607,073	A *	3/1997	Forrer	215/11.4
D411,743	S *	6/1999	Escabar	D9/435
D442,864	S *	5/2001	Davies	D9/454
D518,728	S *	4/2006	Frantz	D9/504
D522,364	S *	6/2006	Hicks et al.	D9/449

D525,127	S *	7/2006	Cogley et al.	D9/456
D570,949	S *	6/2008	Harris et al.	D22/122
D571,199	S *	6/2008	Petrosino et al.	D9/435
D590,667	S *	4/2009	Trombly	D7/629
D602,355	S *	10/2009	Waland	D9/449
D610,176	S *	2/2010	Nagamine et al.	D15/138
D613,600	S *	4/2010	David	D9/456
D615,809	S *	5/2010	Heiberg et al.	D7/391
D623,061	S *	9/2010	Wong	D9/454
D644,062	S *	8/2011	Lorenz	D7/396.2
D644,803	S *	9/2011	Schmon et al.	D32/54
D651,897	S *	1/2012	Miceli et al.	D9/435
D660,700	S *	5/2012	MacNeill et al.	D9/454
D668,544	S *	10/2012	Stephan et al.	D9/453

* cited by examiner

Primary Examiner — Susan E Krakower

(74) *Attorney, Agent, or Firm* — William E. Hein

(57) **CLAIM**

The ornamental design for a lid for a beverage container holder, as shown and described.

DESCRIPTION

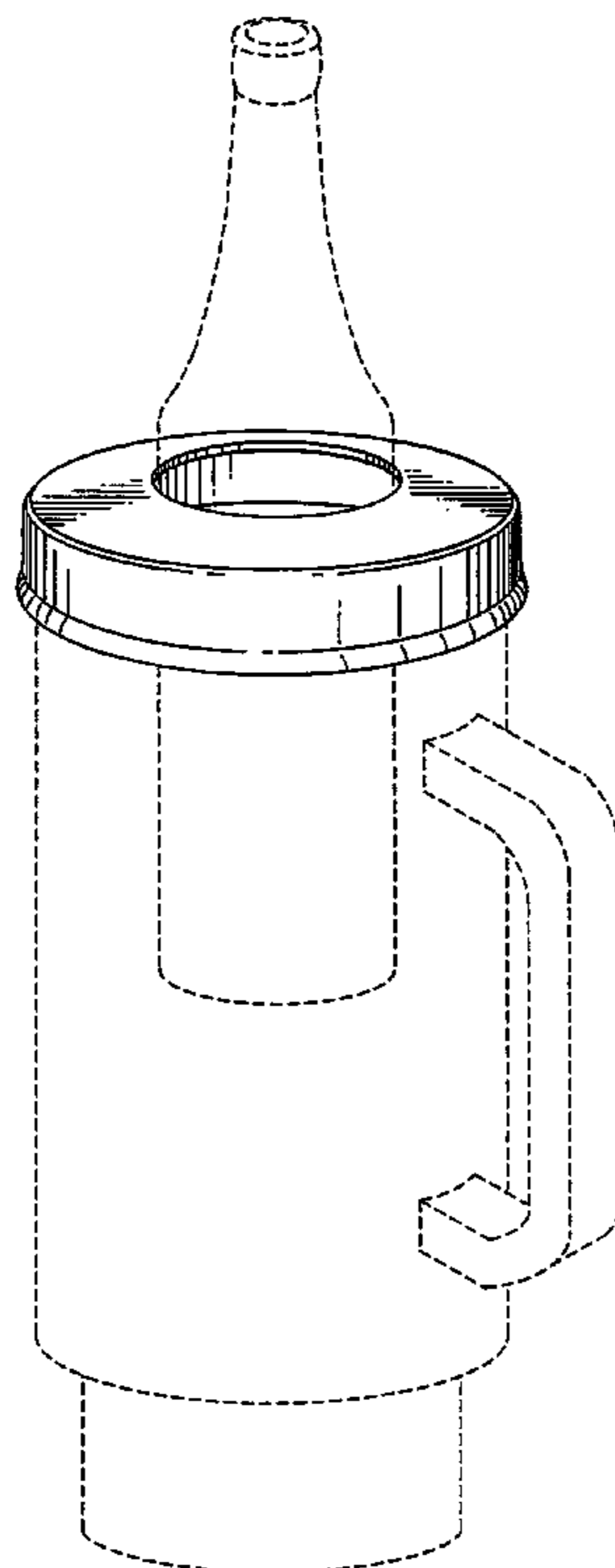
FIG. 1 is a perspective view of a lid for a beverage container holder showing my new design, the broken line showings of inner and outer containers being for the purpose of illustrating environmental structure forming no part of the claimed design;

FIG. 2 is a left side elevation view, the right side elevation view being a mirror image thereof;

FIG. 3 is a top plan view; and,

FIG. 4 is a bottom plan view.

1 Claim, 2 Drawing Sheets



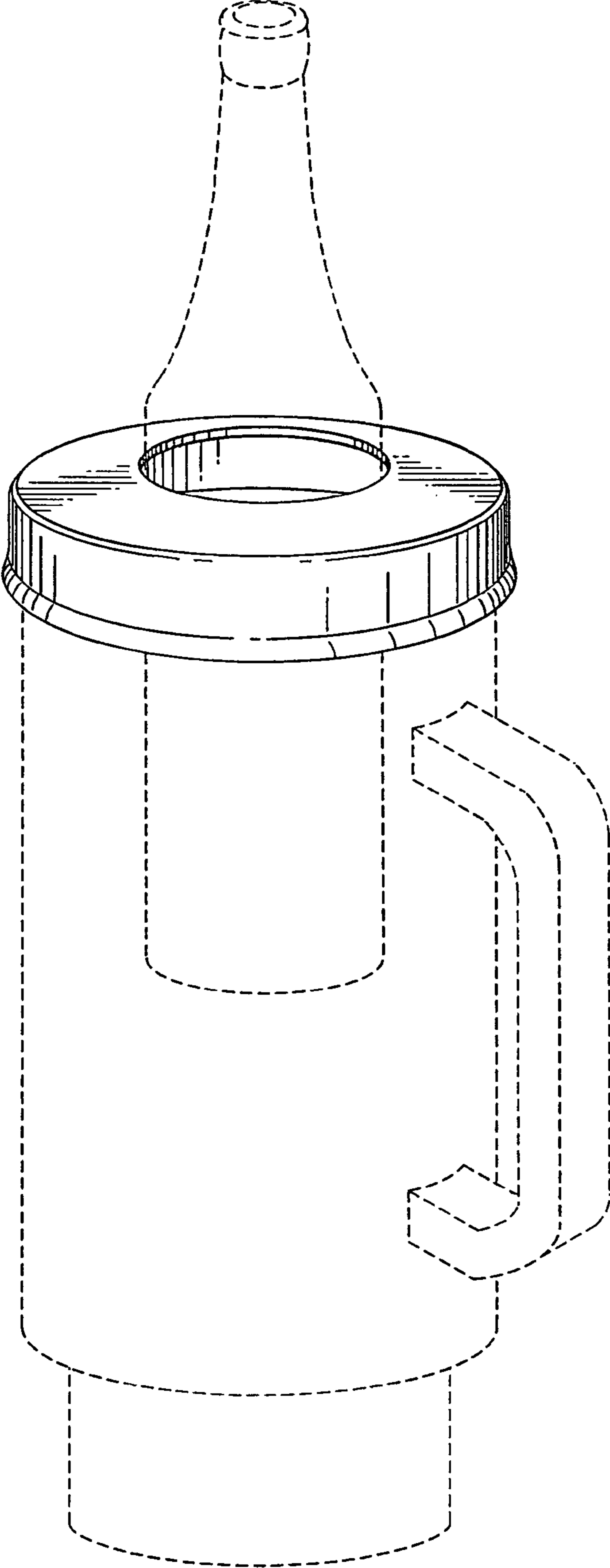


FIG.1

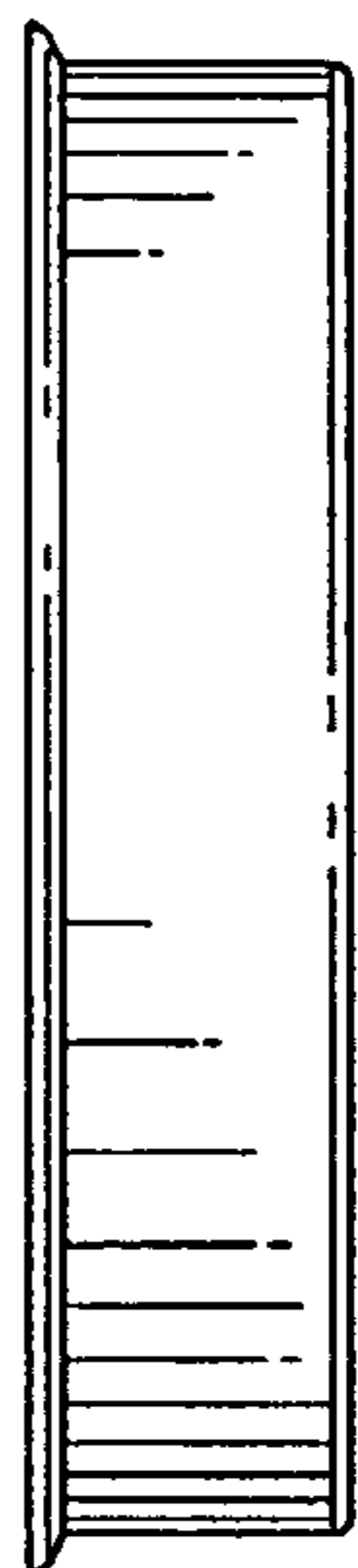


FIG. 2

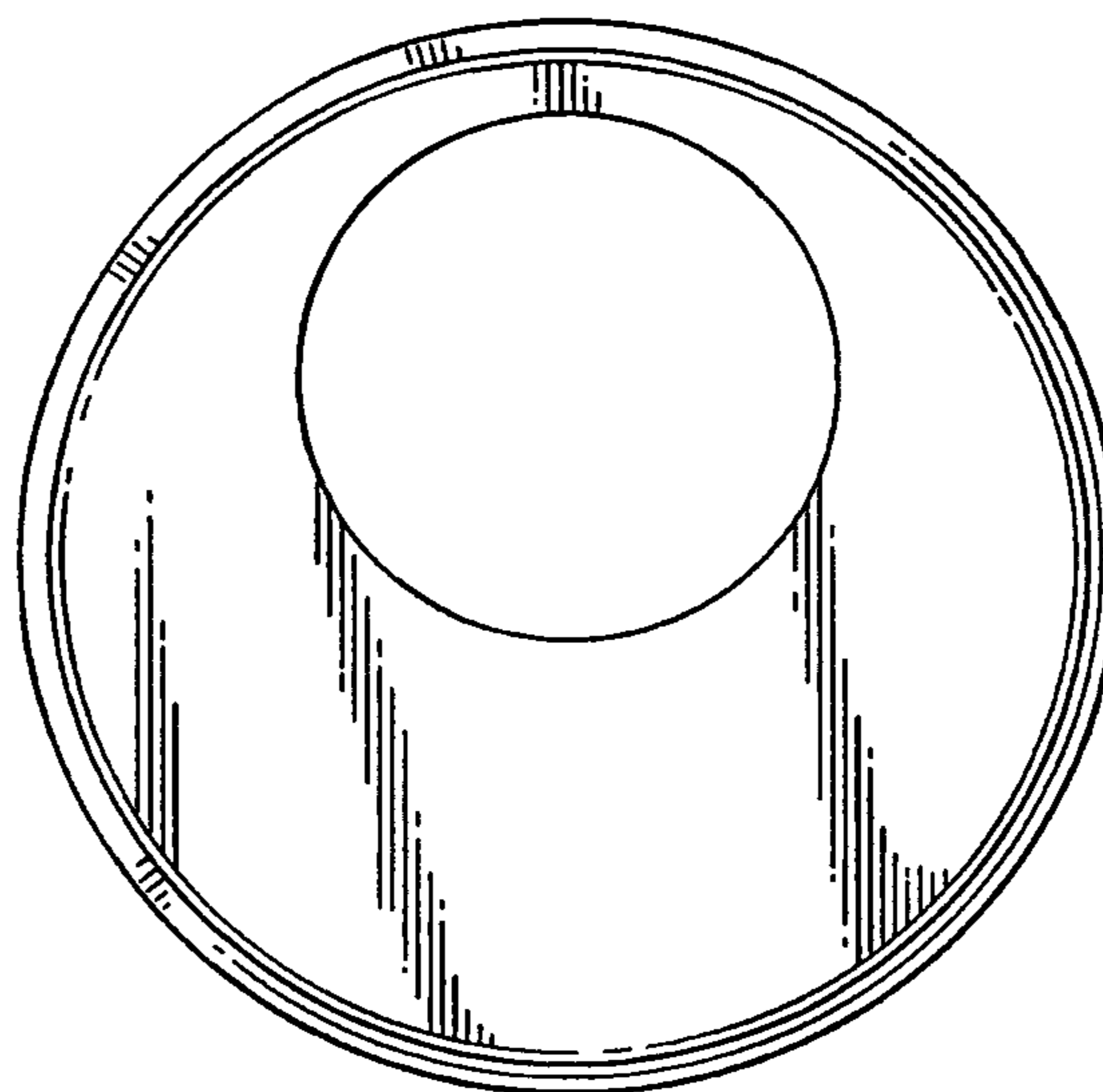


FIG. 3

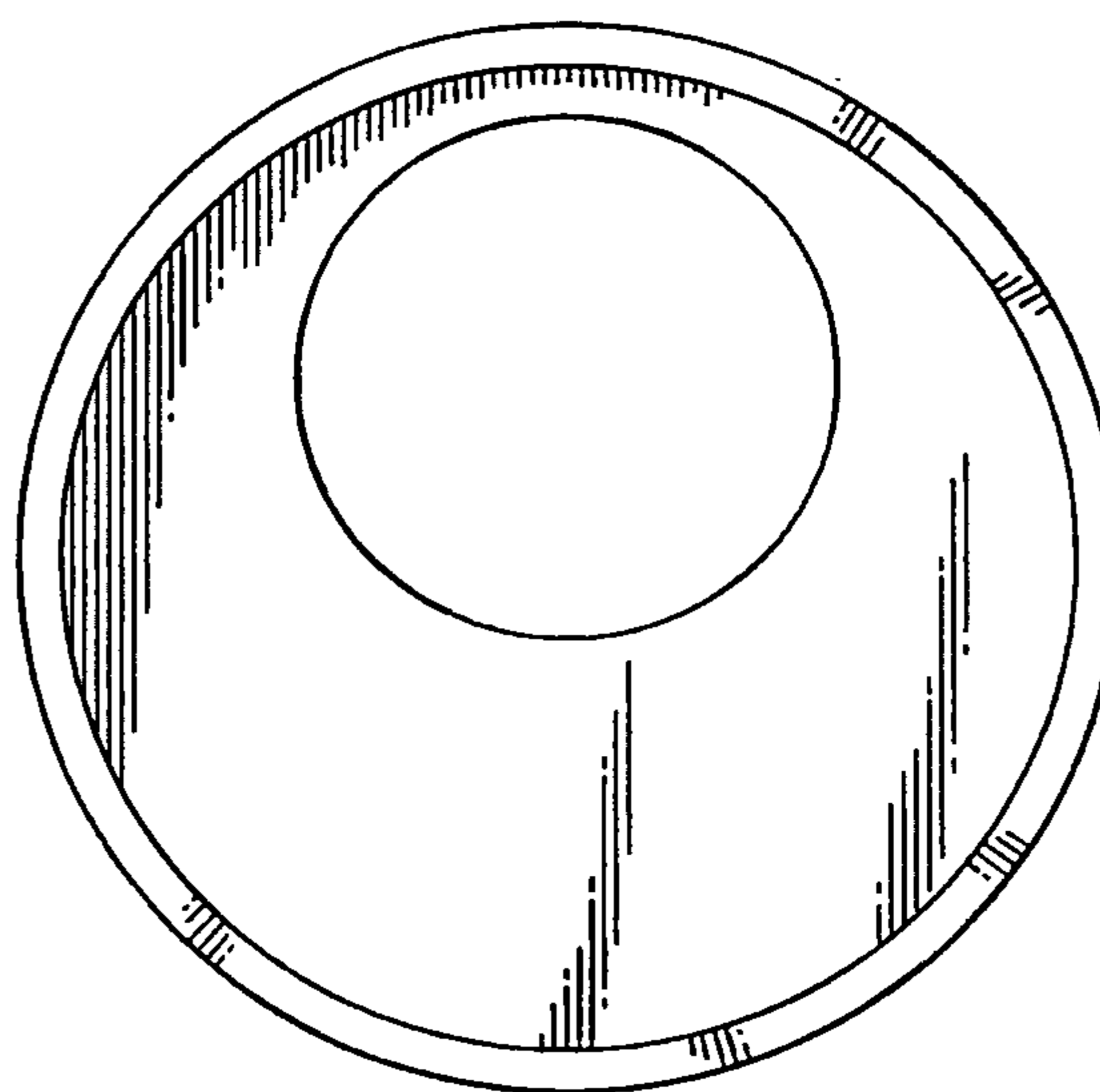


FIG. 4