



US00D680364S

(12) **United States Design Patent**
Chung

(10) **Patent No.:** **US D680,364 S**

(45) **Date of Patent:** **** Apr. 23, 2013**

(54) **BARBECUE GRILL**

(76) Inventor: **Kiosky Chung**, Taichung (TW)

(**) Term: **14 Years**

(21) Appl. No.: **29/406,393**

(22) Filed: **Nov. 14, 2011**

(51) **LOC (9) Cl.** **07-02**

(52) **U.S. Cl.**
USPC **D7/334**

(58) **Field of Classification Search** D7/332,
D7/334, 337, 402-406, 409; 126/27, 44,
126/25 R, 41 R, 9 R, 40, 50, 38, 39 H, 39 N,
126/39 K, 39 M, 39 R, 39 J, 39 G, 39 E,
126/285 R, 287, 290, 80, 243; 99/425, 444-44,
99/450, 481, 482, 340; 431/247, 207, 264
See application file for complete search history.

(56) **References Cited**

U.S. PATENT DOCUMENTS

3,556,076	A	*	1/1971	Stewart	126/9 R
D451,759	S	*	12/2001	Joss et al.	D7/402
D460,658	S	*	7/2002	Wu	D7/334
D463,709	S	*	10/2002	Bossler	D7/334
D464,524	S	*	10/2002	Pai	D7/334
D472,757	S	*	4/2003	Schulte et al.	D7/334

D480,905	S	*	10/2003	Pai	D7/334
D480,906	S	*	10/2003	Pai	D7/334
D516,860	S	*	3/2006	Nipke	D7/403
D517,368	S	*	3/2006	Nipke	D7/403
D572,072	S	*	7/2008	Chung	D7/334
D636,628	S	*	4/2011	Chung	D7/334
D657,181	S	*	4/2012	Chung	D7/334
2005/0252504	A1	*	11/2005	Cabrera et al.	126/50
2006/0130825	A1	*	6/2006	Yeh	126/25 R
2011/0094494	A1	*	4/2011	Malumyan	126/25 R

* cited by examiner

Primary Examiner — Ruth McInroy

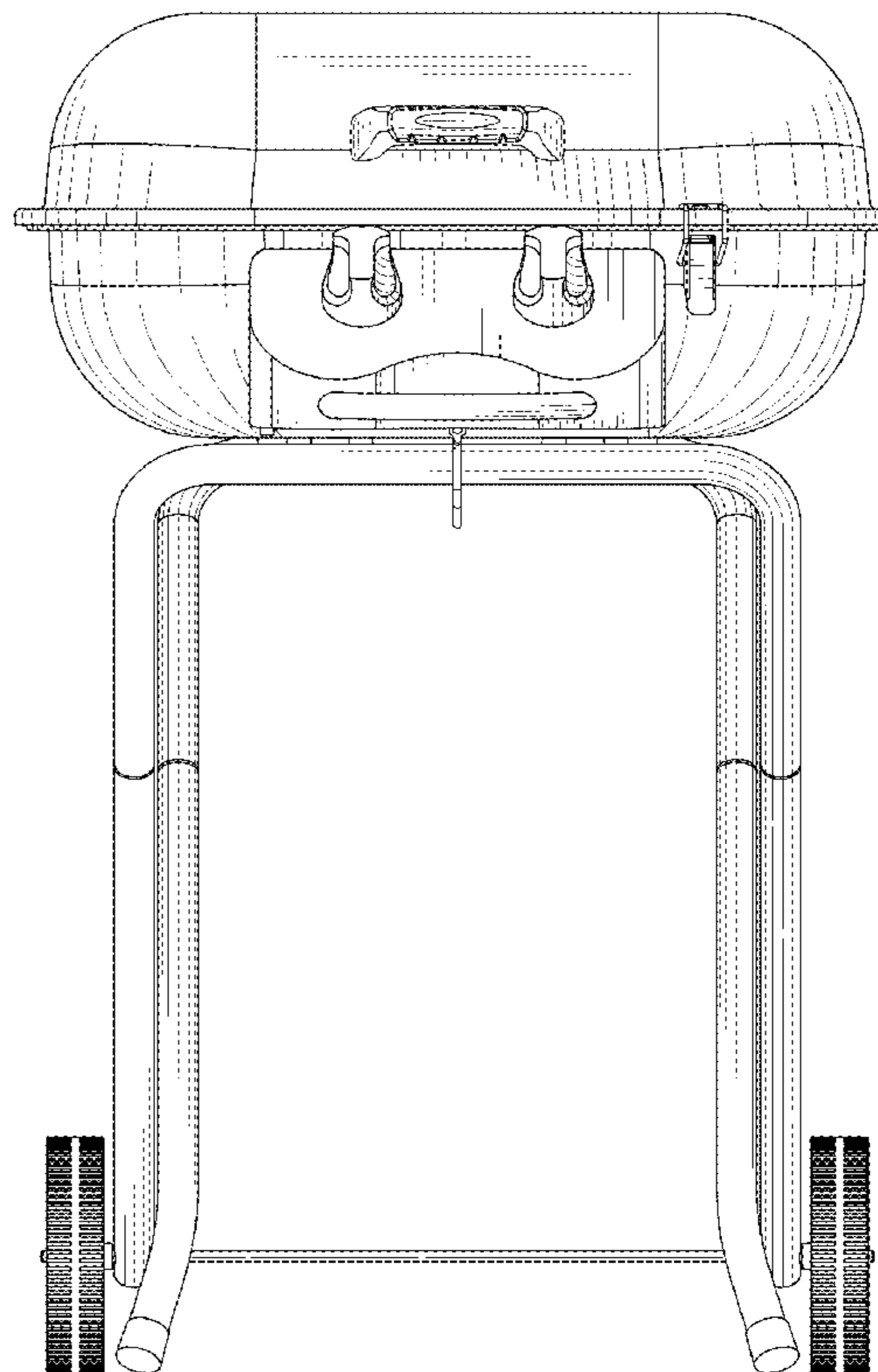
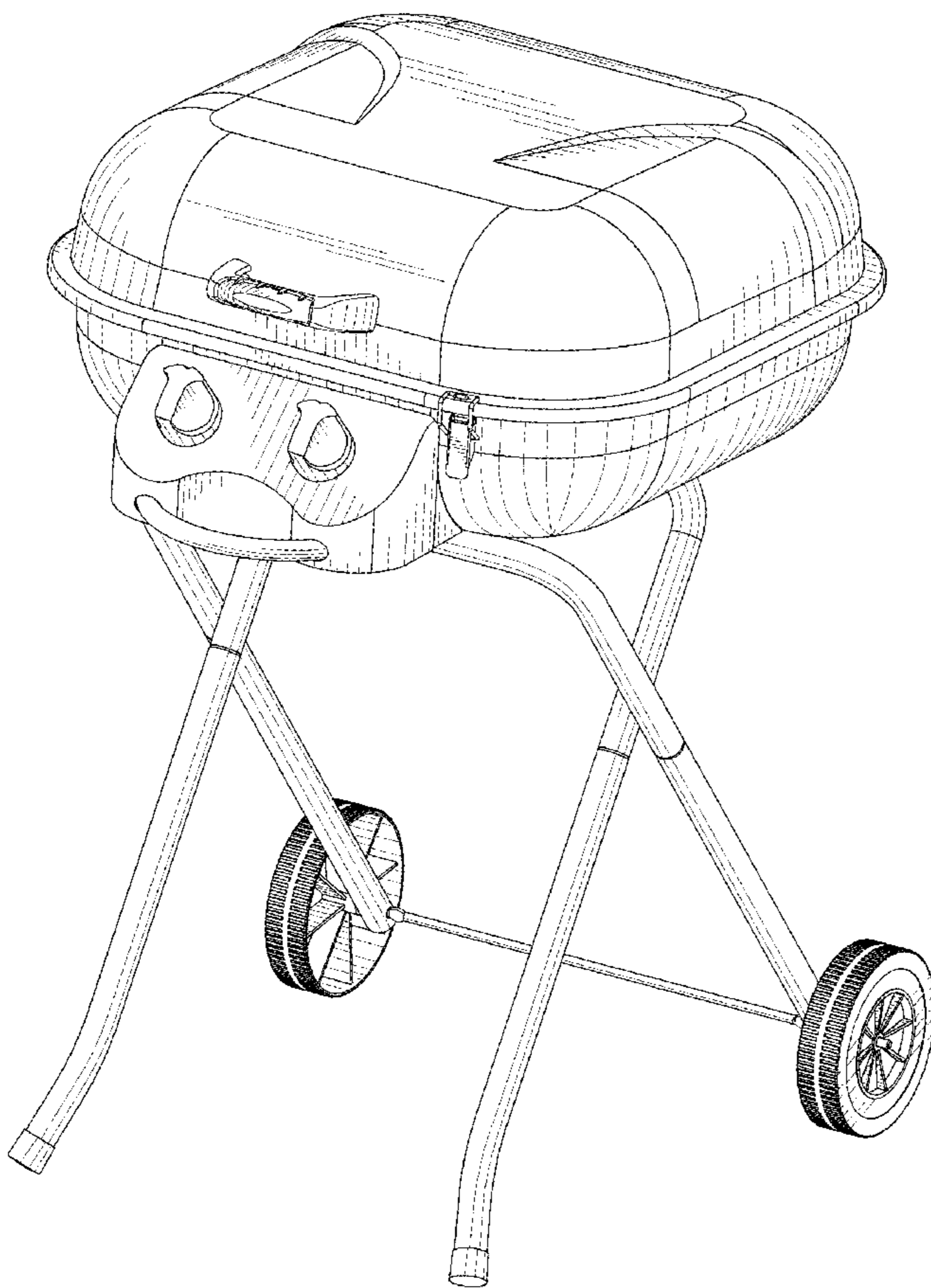
(57) **CLAIM**

I claim the ornamental design for a barbecue grill, as shown and described.

DESCRIPTION

FIG. 1 is a perspective view of a barbecue grill, showing my new design;
FIG. 2 is a front elevational view thereof;
FIG. 3 is a rear elevational view thereof;
FIG. 4 is a left side elevational view thereof;
FIG. 5 is a right side elevational view thereof;
FIG. 6 is a top plan view thereof; and,
FIG. 7 is a bottom plan view thereof.

1 Claim, 7 Drawing Sheets



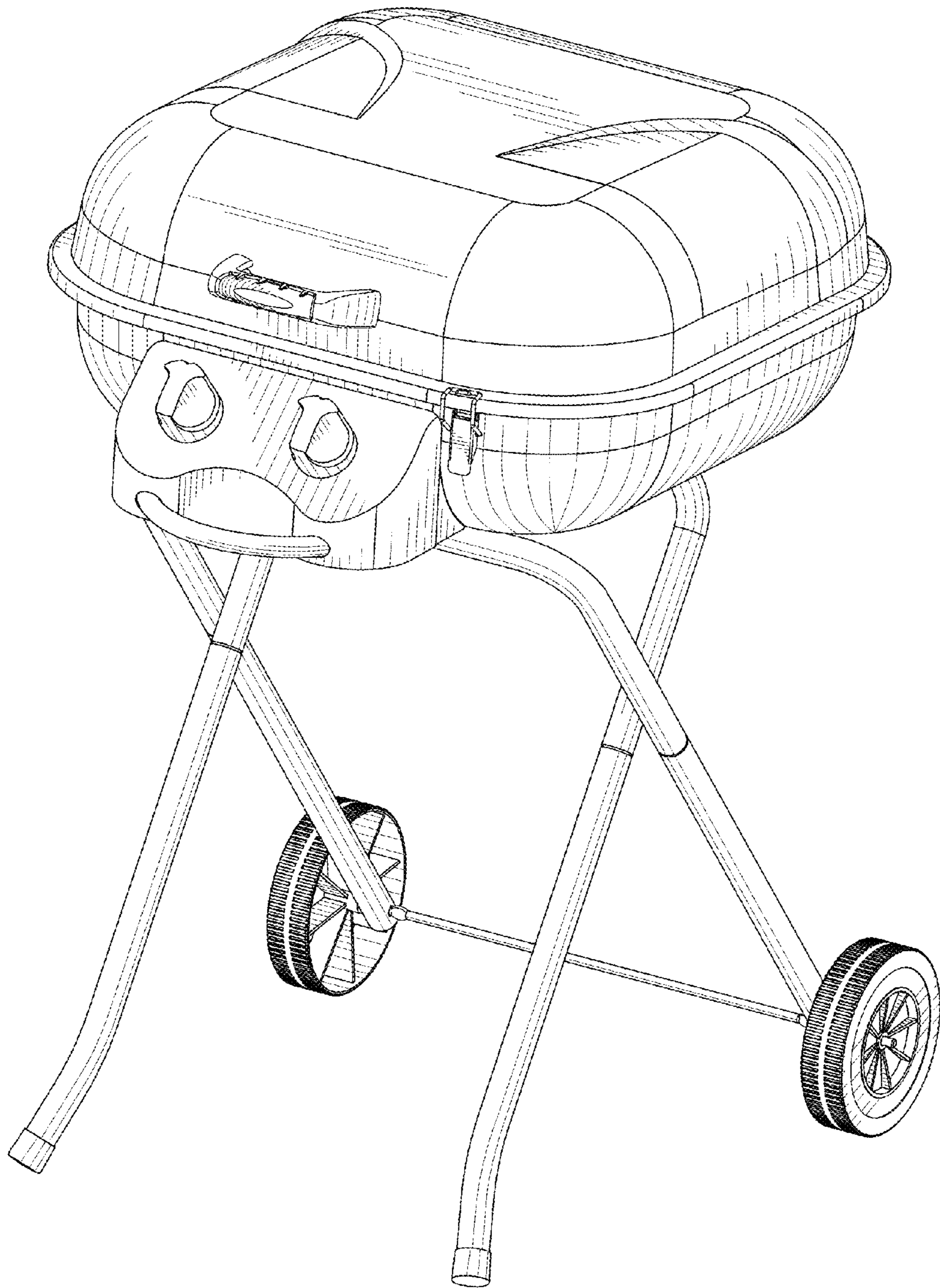


FIG. 1

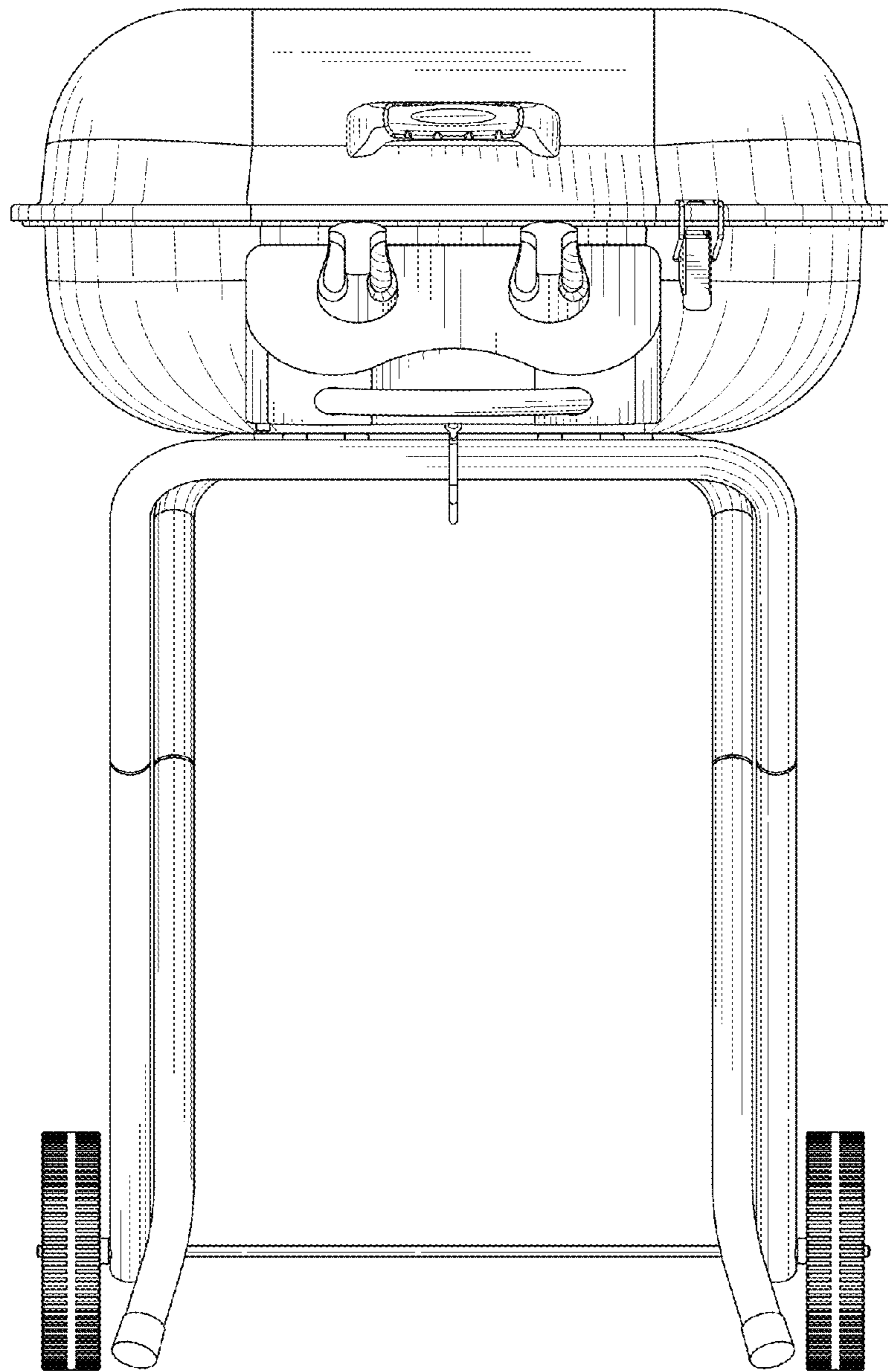


FIG. 2

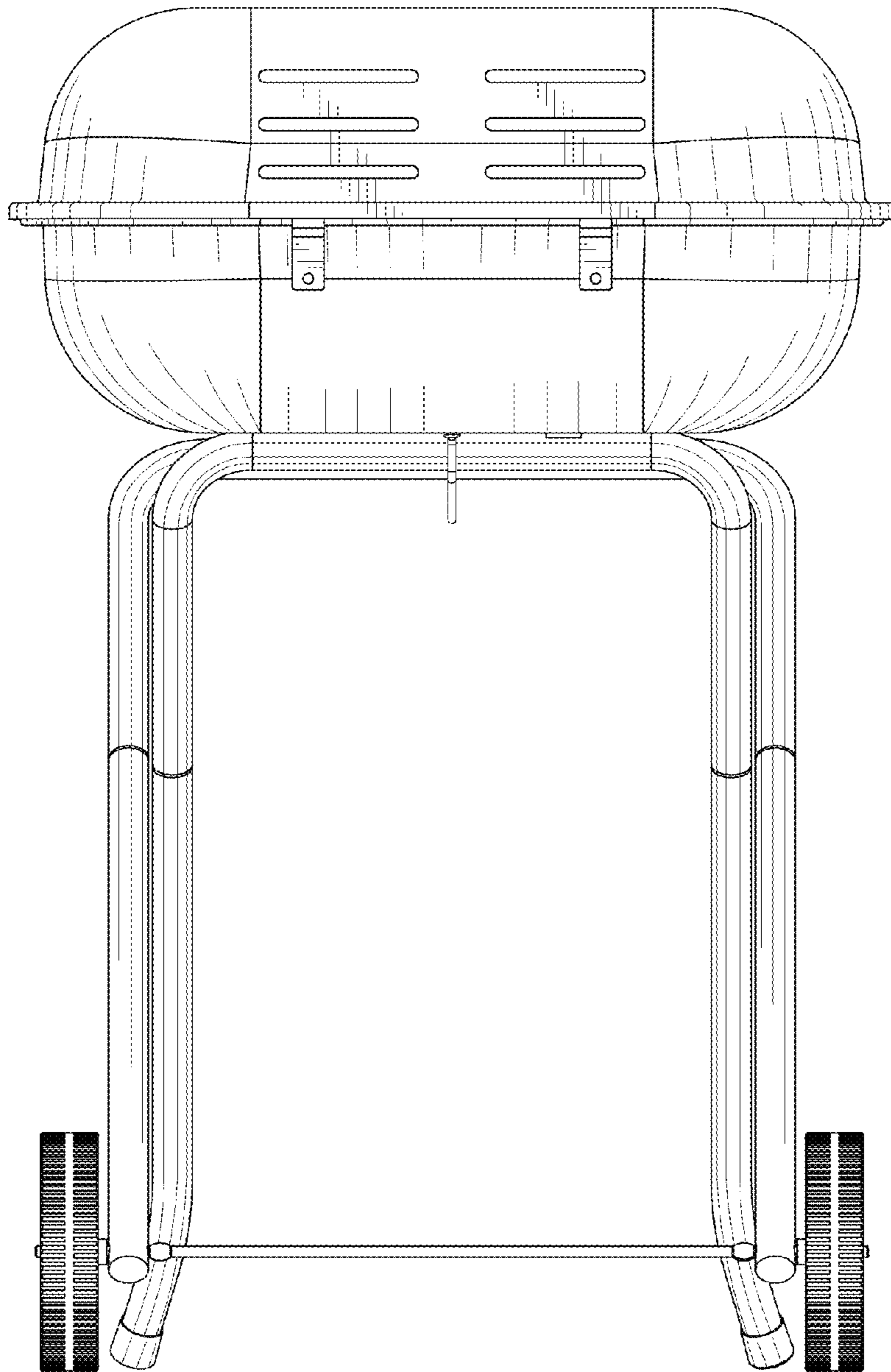


FIG. 3

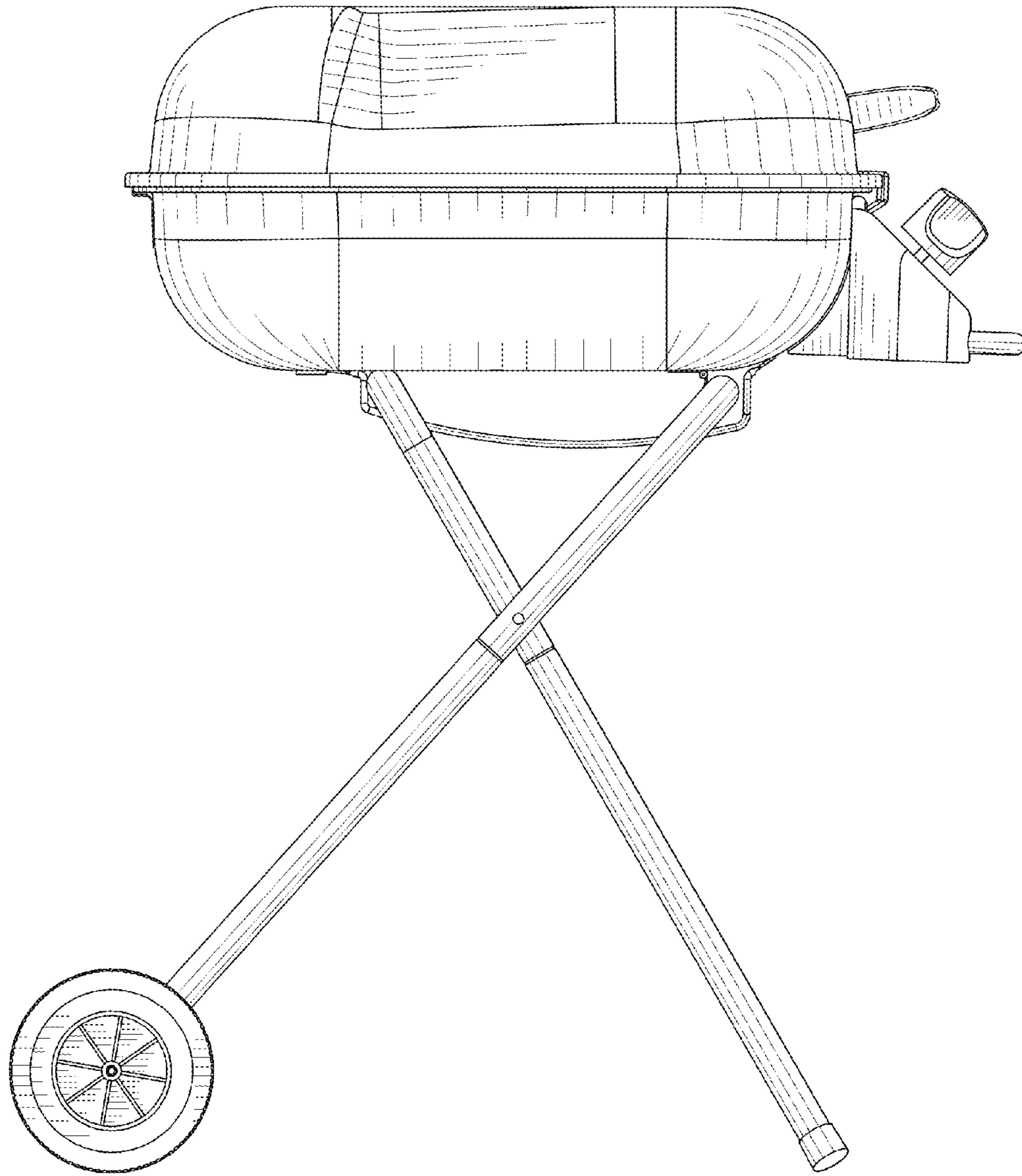


FIG. 4



FIG. 5

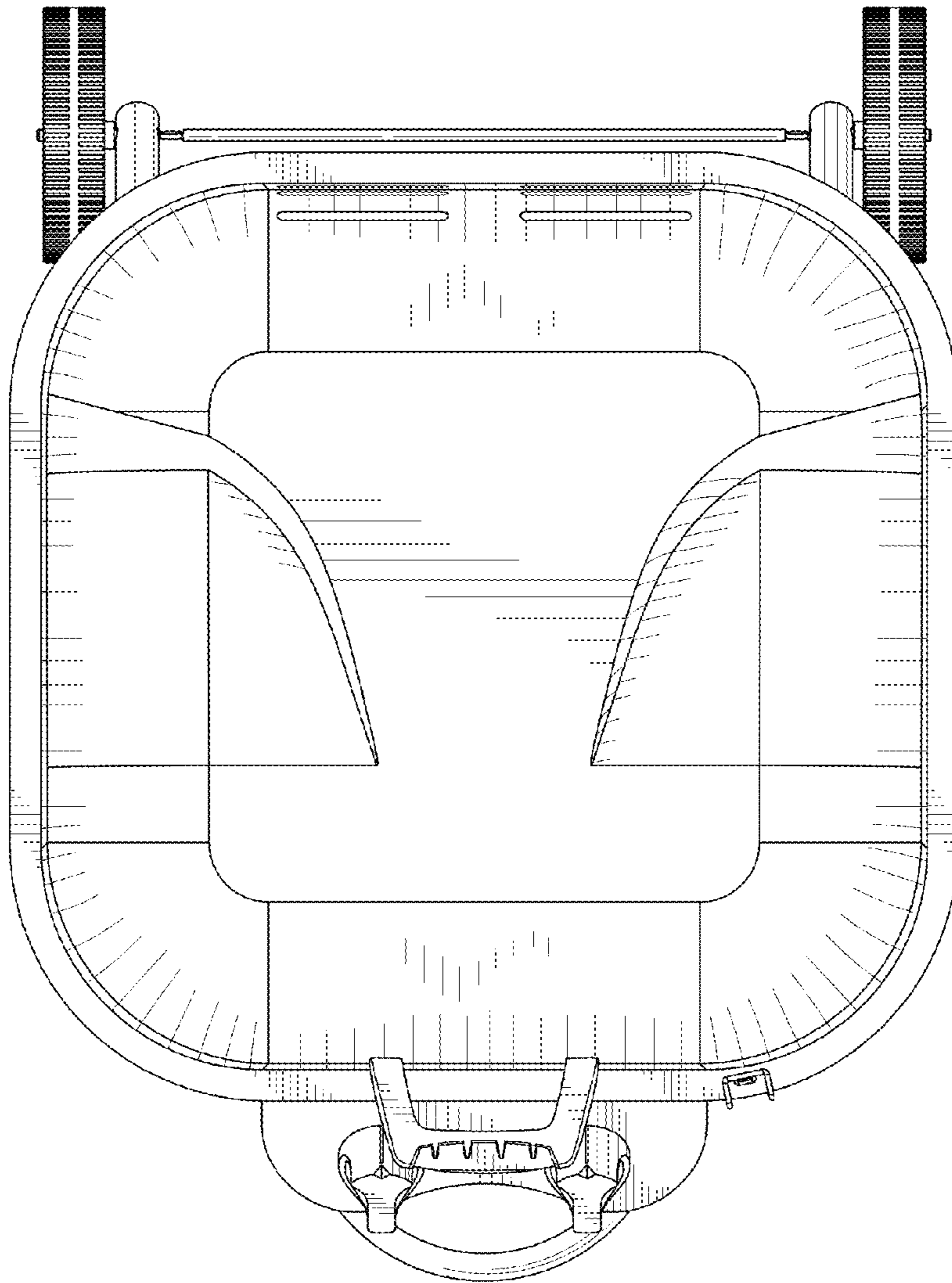


FIG. 6

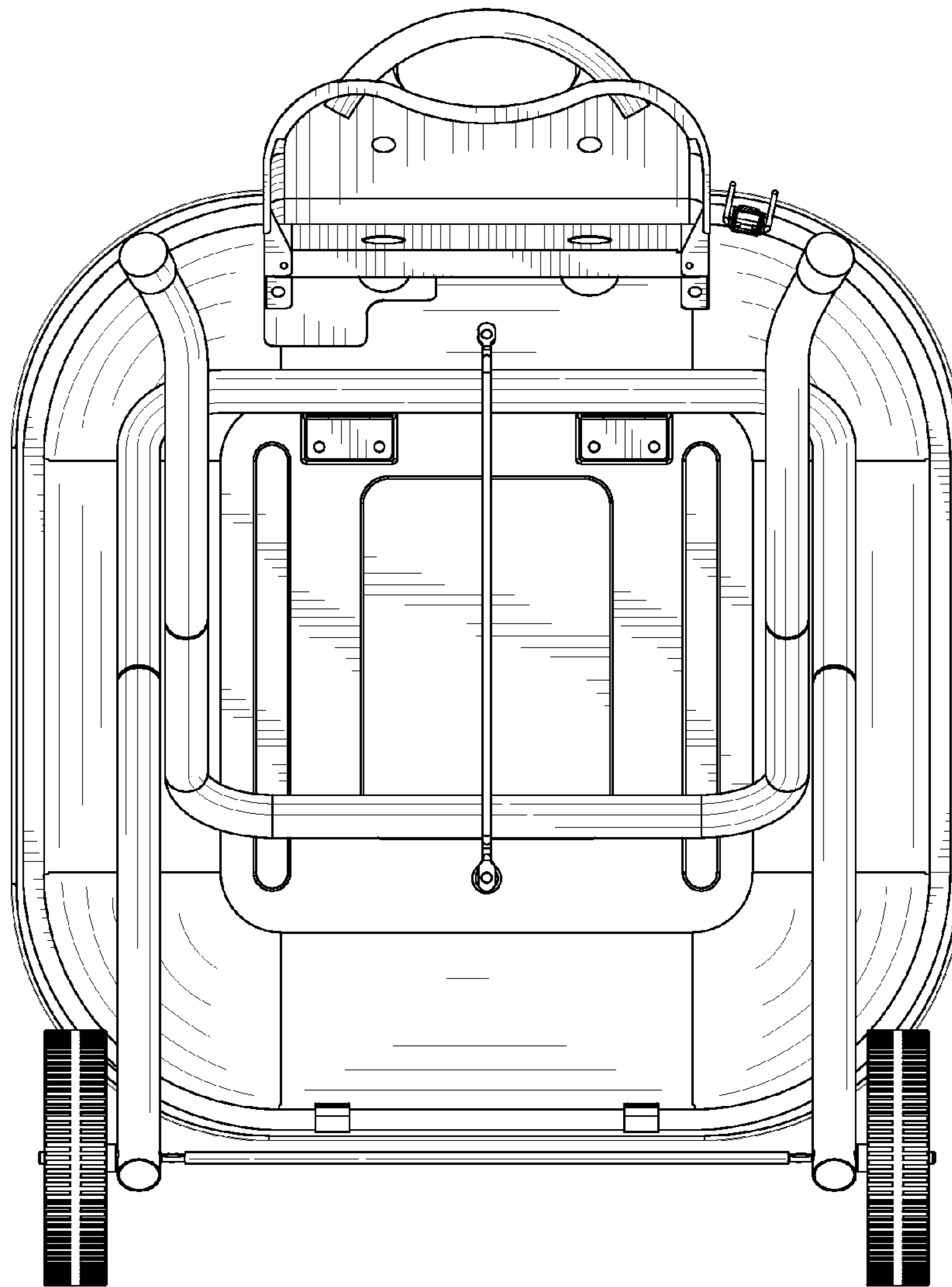


FIG. 7