



US00D680362S

(12) **United States Design Patent**  
**Cursio et al.**

(10) **Patent No.:** **US D680,362 S**  
(45) **Date of Patent:** **\*\* Apr. 23, 2013**

- (54) **POPCORN MAKER ASSEMBLY**
  - (75) Inventors: **Adrian Cursio**, Doncaster (AU);  
**Nathan Raiti**, Glen Iris (AU)
  - (73) Assignee: **Star Maid International Pty. Ltd.**,  
Dandenong, Victoria (AU)
  - (\*\*) Term: **14 Years**
  - (21) Appl. No.: **29/408,015**
  - (22) Filed: **Dec. 6, 2011**
  - (51) **LOC (9) Cl.** ..... **31-00**
  - (52) **U.S. Cl.**  
USPC ..... **D7/325**
  - (58) **Field of Classification Search** ..... D7/323-331,  
D7/337, 339, 346-347, 350.1-350.4, 352-367,  
D7/391, 393, 395, 402, 409-410, 538, 584,  
D7/542, 667, 672-674; D9/449; D28/79;  
99/323.4-323.9, 442-446; 426/101-107,  
426/241-243; 446/236
- See application file for complete search history.

(56) **References Cited**

U.S. PATENT DOCUMENTS

- 4,149,455 A \* 4/1979 Ross ..... 99/323.5
  - 4,332,188 A \* 6/1982 Rhear ..... 99/323.5
- (Continued)

OTHER PUBLICATIONS

Cool Touch Microwaveable Bowl, <http://www.jobar.com/COOL-TOUCH-MICROWAVE-BOWL-P11592.aspx>, last accessed Apr. 17, 2012, 1 page.

(Continued)

*Primary Examiner* — Ricky Pham

(74) *Attorney, Agent, or Firm* — LeClairRyan, a Professional Corporation

(57) **CLAIM**

The ornamental design for a popcorn maker assembly, as shown and described.

**DESCRIPTION**

FIG. 1 is a exploded perspective view of a popcorn maker assembly, illustrating a cover, an insert, and a bowl;

FIG. 2 is a second perspective view of the popcorn maker assembly;

FIG. 3 is a right side elevational view of the popcorn maker assembly, illustrated in FIG. 2;

FIG. 4 is a bottom plan view of the popcorn maker assembly, illustrated in FIG. 2;

FIG. 5 is a top plan view of the popcorn maker assembly, illustrated in FIG. 2;

FIG. 6 is a right side exploded view of the popcorn maker assembly, illustrated in FIG. 2;

FIG. 7 is a rear elevational view of the popcorn maker assembly, illustrated in FIG. 2;

FIG. 8 is a front elevational view of the popcorn maker assembly, illustrated in FIG. 2;

FIG. 9 is a cross-sectional view of the popcorn maker assembly taken along line 9-9 of FIG. 5;

FIG. 10 is a rear elevational view of the insert of the popcorn maker assembly shown independent of the assembly for ease of illustration;

FIG. 11 is a front elevational view of the insert shown independent of the assembly for ease of illustration;

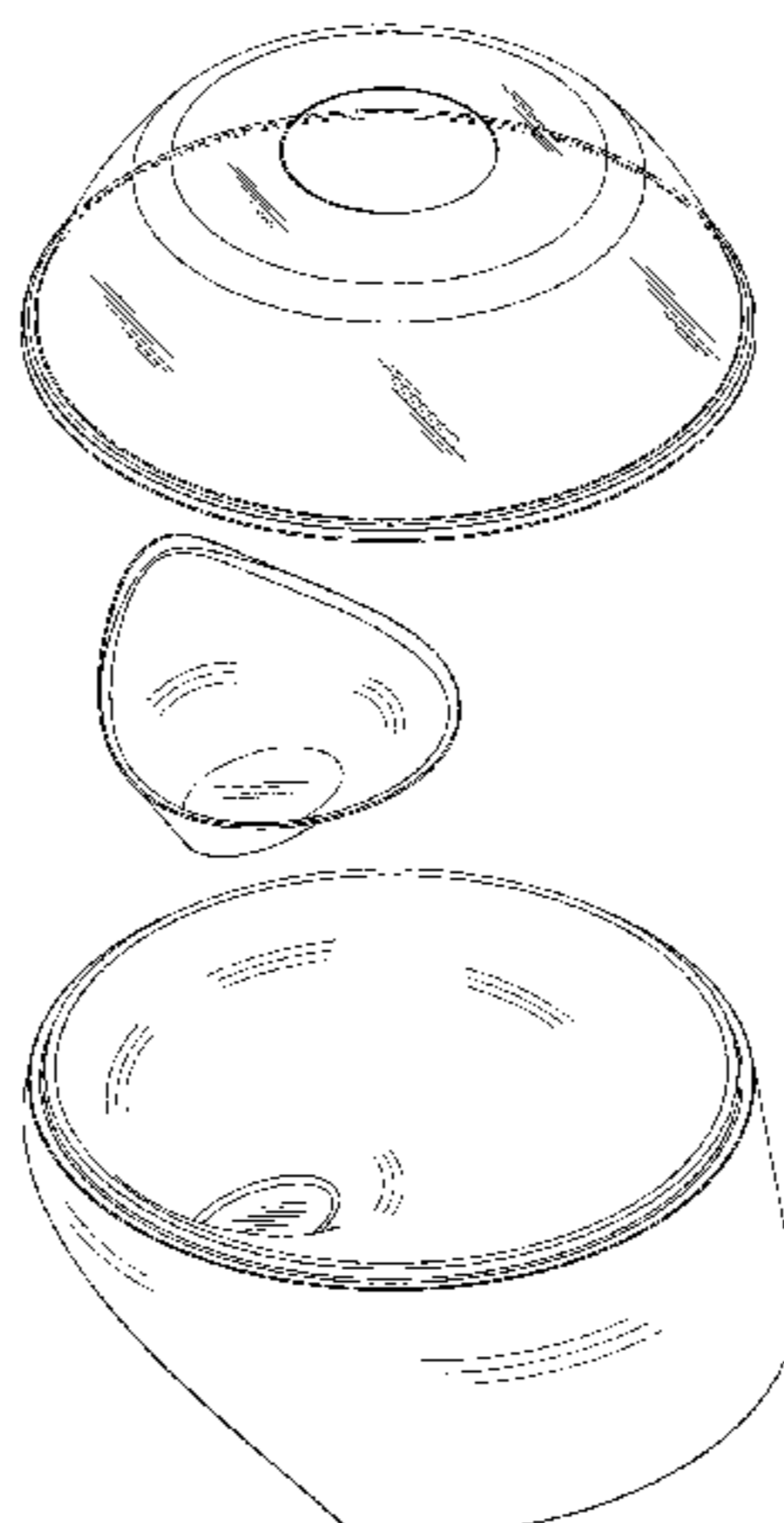
FIG. 12 is a top plan view of the insert shown independent of the assembly for ease of illustration;

FIG. 13 is a bottom plan view of the insert shown independent of the assembly for ease of illustration; and,

FIG. 14 is a left side elevational view of the insert shown independent of the assembly for ease of illustration.

The characteristic features of the design reside in the non-concentric container portion of the bowl and the distinct curved portion on the outside flange of the bowl. The designations of the views below as top, right side, front, and rear are for ease of discussion only and are not intended to limit the popcorn maker assembly to one particular orientation. The popcorn maker assembly can be oriented in other directions which would alter these designations. The drawings illustrated in FIGS. 1-14 are not necessarily drawn to the same scale, and any change in scale between different views is not intended to limit the popcorn maker assembly to a particular size. The cover of the popcorn maker assembly is transparent or semi-transparent. A left side elevational view of the popcorn maker assembly is not included as the left side elevational view is a mirror image of its respective right side elevational view.

**1 Claim, 6 Drawing Sheets**



U.S. PATENT DOCUMENTS

D280,062	S	*	8/1985	Cesaroni	.....	D7/325
5,397,879	A		3/1995	Geissler		
D360,102	S		7/1995	Geissler et al.		
5,695,673	A		12/1997	Geissler		
D450,219	S	*	11/2001	Smith	.....	D7/538
D489,148	S	*	4/2004	Sheng	.....	D28/79
D512,598	S	*	12/2005	Shore	.....	D7/325
D514,372	S	*	2/2006	Kaposi et al.	.....	D7/354
D521,796	S	*	5/2006	Bertulis	.....	D7/325
D613,131	S	*	4/2010	Chen et al.	.....	D7/667
D615,797	S	*	5/2010	Berge et al.	.....	D7/325
D625,604	S	*	10/2010	Zaslow	.....	D9/449
D626,790	S	*	11/2010	Gibson et al.	.....	D7/584
2004/0253904	A1	*	12/2004	Lin	.....	446/236

OTHER PUBLICATIONS

Fox Run Craftsmen Rice, Pasta and Popcorn Cooker, <http://www.walmart.com/ip/Fox-Run-Craftsmen-Rice-Pasta-and-Popcorn-Cooker/15178252?findingMethod=rr>, last accessed Mar. 7, 2012, 1 page.

Microwave Popcorn Popper-Nordic Ware, <http://www.nordicware.com/store/products/detail/2265E7B0-7C89-102A-B382-0002B3267AD7>, last accessed Apr. 12, 2012, 1 page.

Microwave Popcorn Maker, <http://www.vermontgift.com/inc/sdetail/180/183>, last accessed Apr. 12, 2012, 1 page.

Microwave Popcorn Popper, <http://www.ebay.com/itm/Microwave-Popcorn-Popper-/390350568073#vi-content>, last accessed Apr. 6, 2012, 2 pages.

Ningbo Meiyu Electrical Appliance Co., Ltd., [http://www.nbmeiyu.com/products\\_detail/&productId=479b5e92-6758-4a6b-9d62-6be48ccf220f&comp\\_stats=comp-FrontProducts\\_list01-1330914356403.html](http://www.nbmeiyu.com/products_detail/&productId=479b5e92-6758-4a6b-9d62-6be48ccf220f&comp_stats=comp-FrontProducts_list01-1330914356403.html), last accessed Apr. 10, 2012, 2 pages.

Progressive Popcorn Popper, [http://progressiveintl.com/pdf/gmmc88\\_popcornpopper\\_uc\\_english.pdf](http://progressiveintl.com/pdf/gmmc88_popcornpopper_uc_english.pdf), last accessed Apr. 12, 2012, 1 page.

\* cited by examiner

FIG. 1

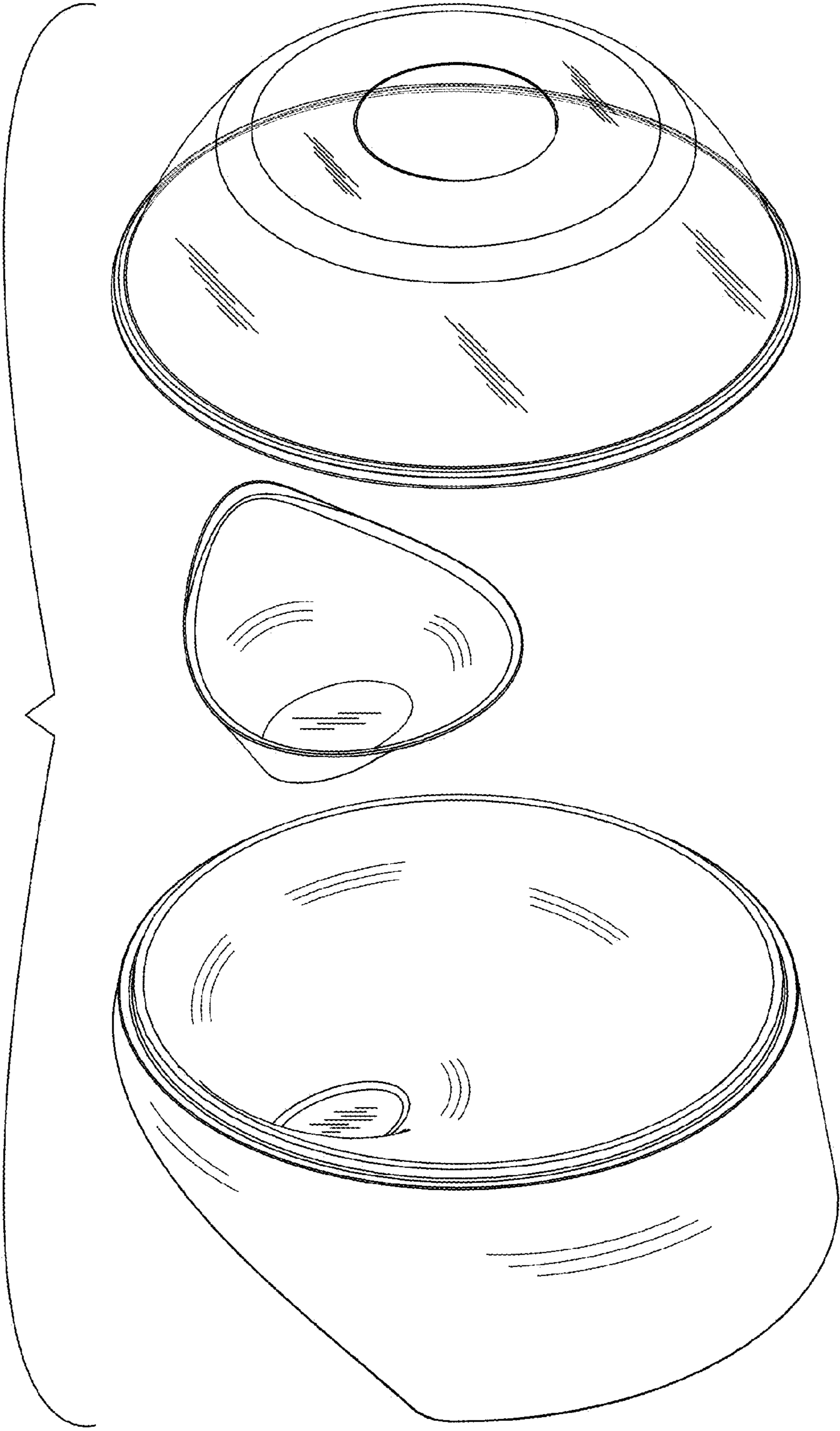


FIG. 2

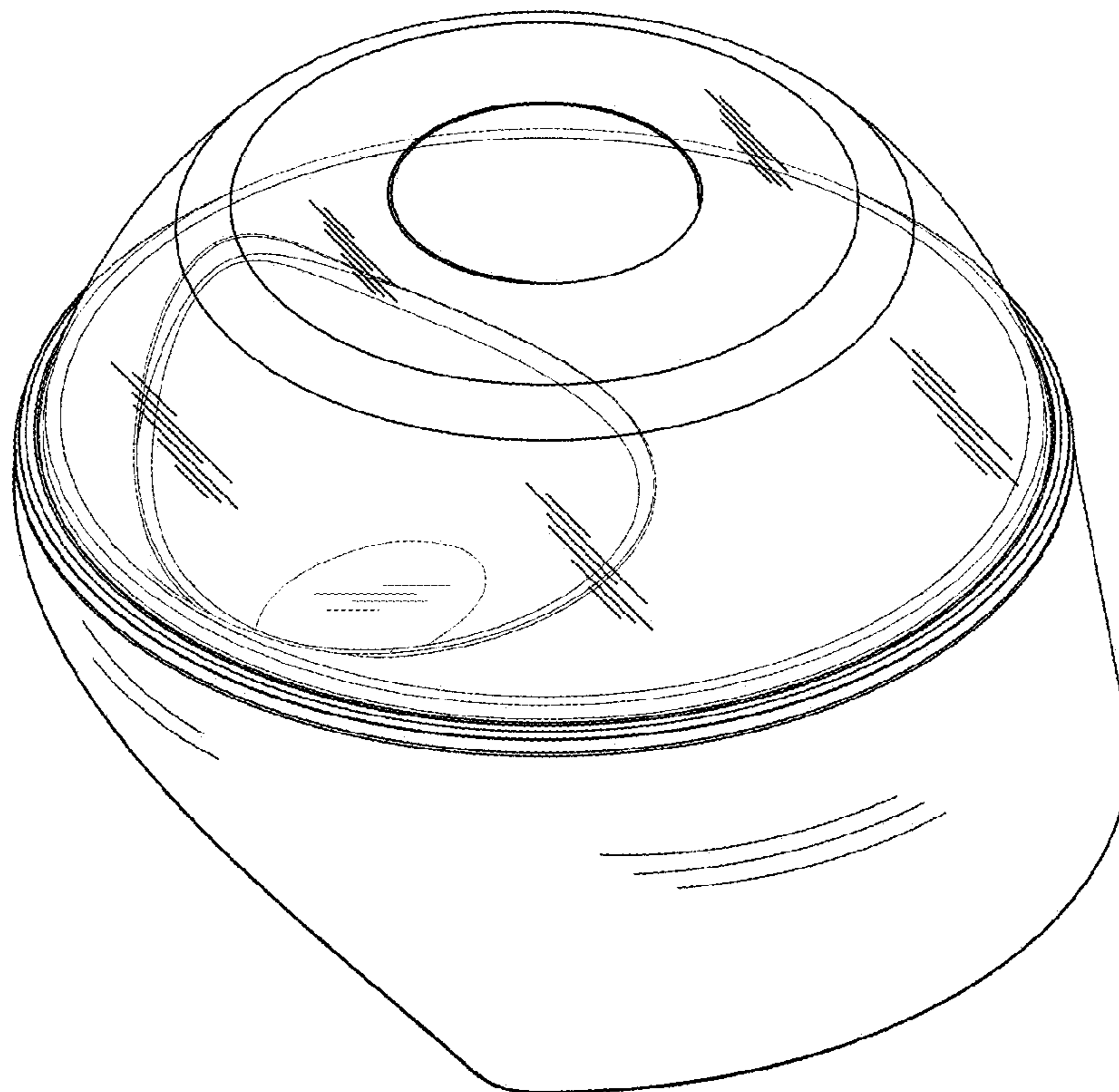
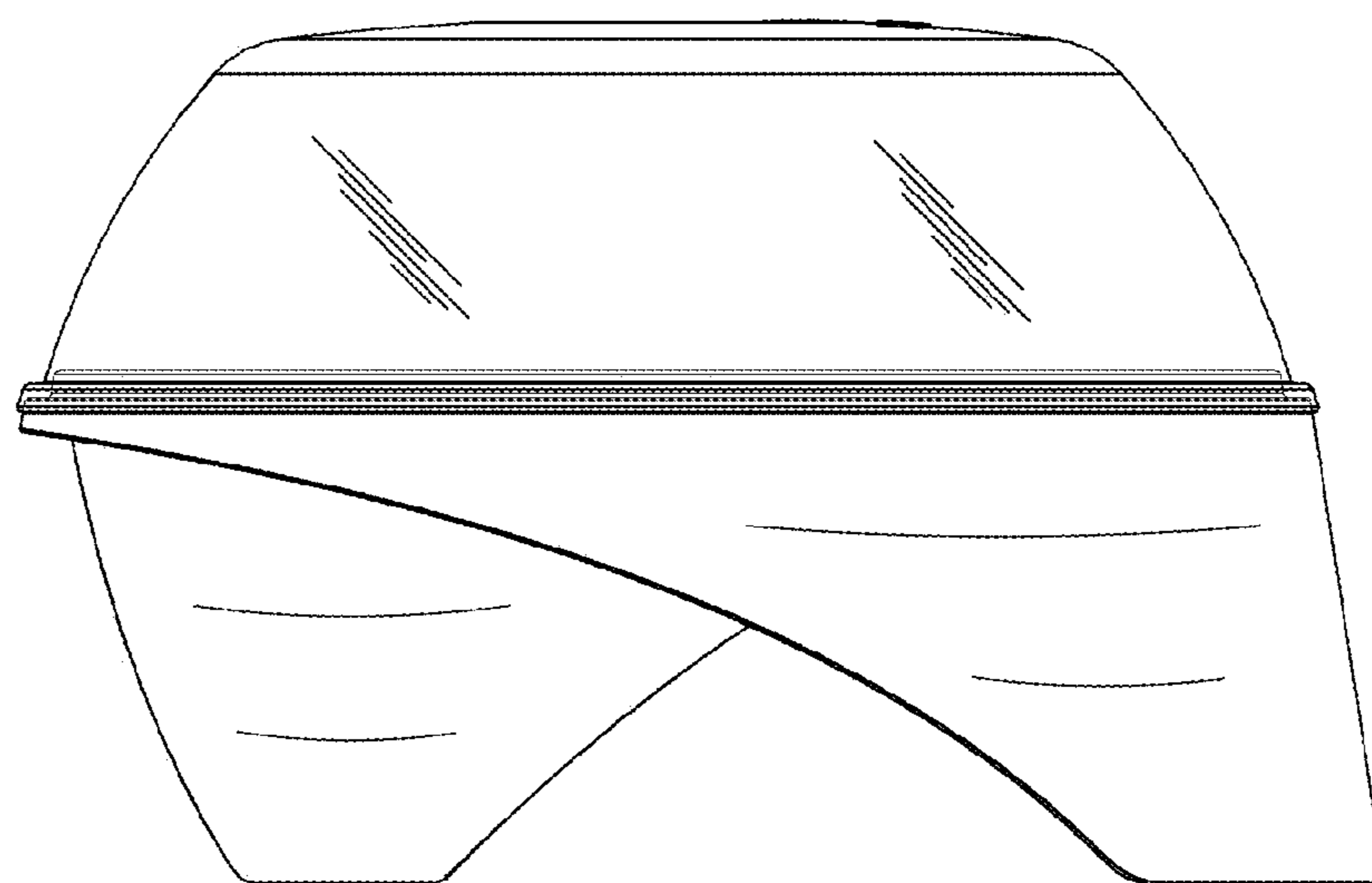


FIG. 3



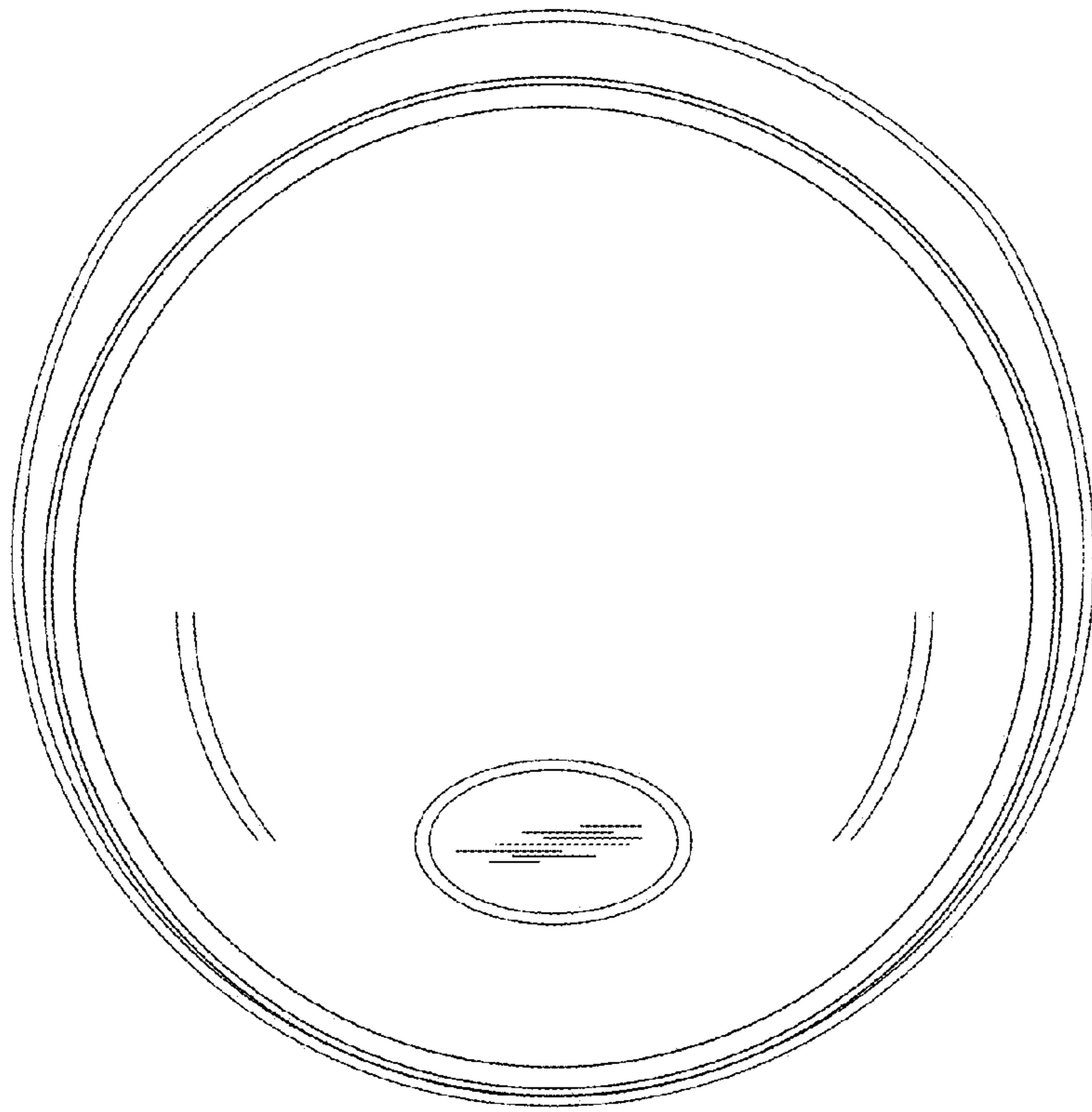


FIG. 4

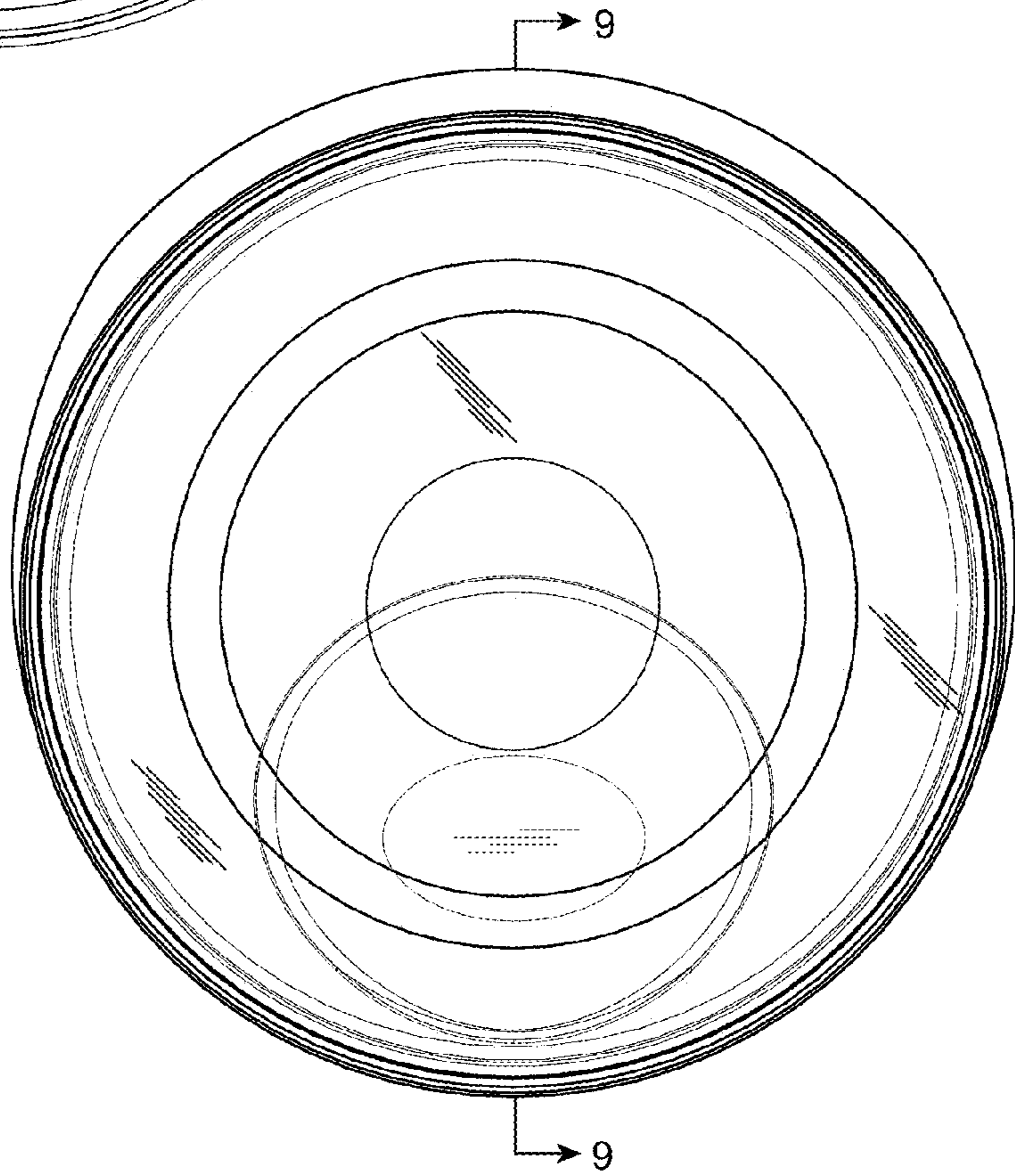


FIG. 5

FIG. 6

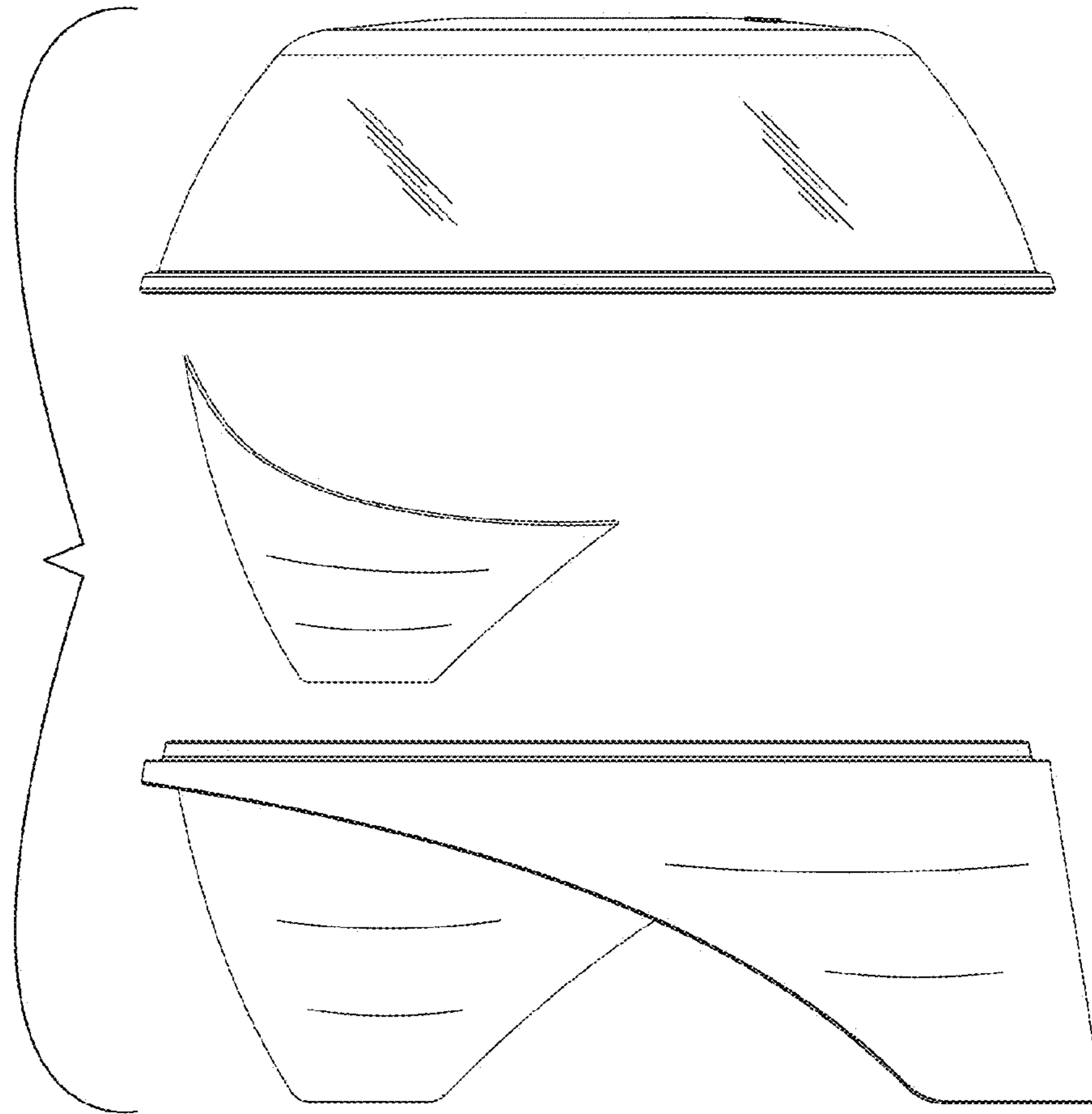


FIG. 7

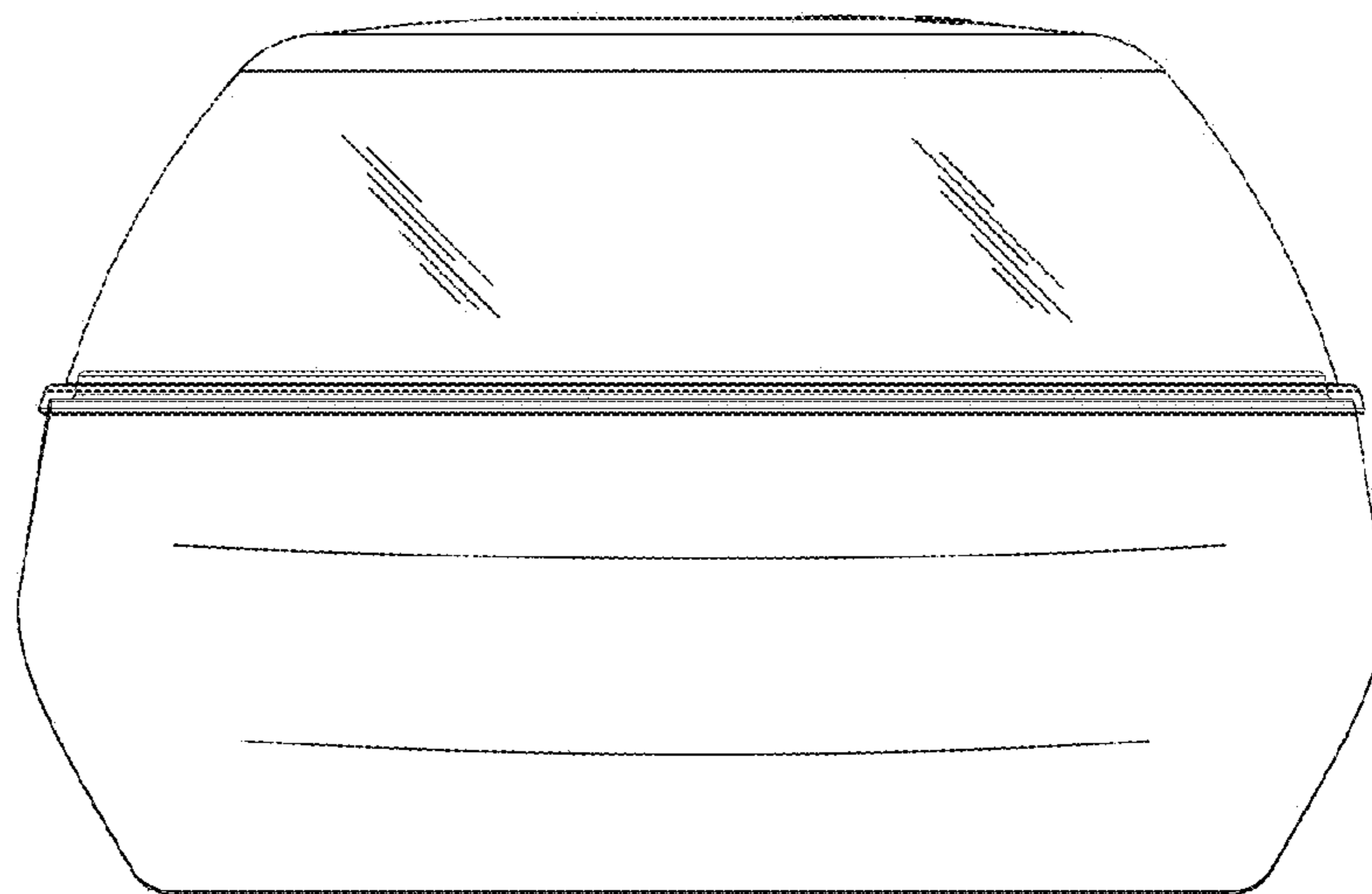


FIG. 8

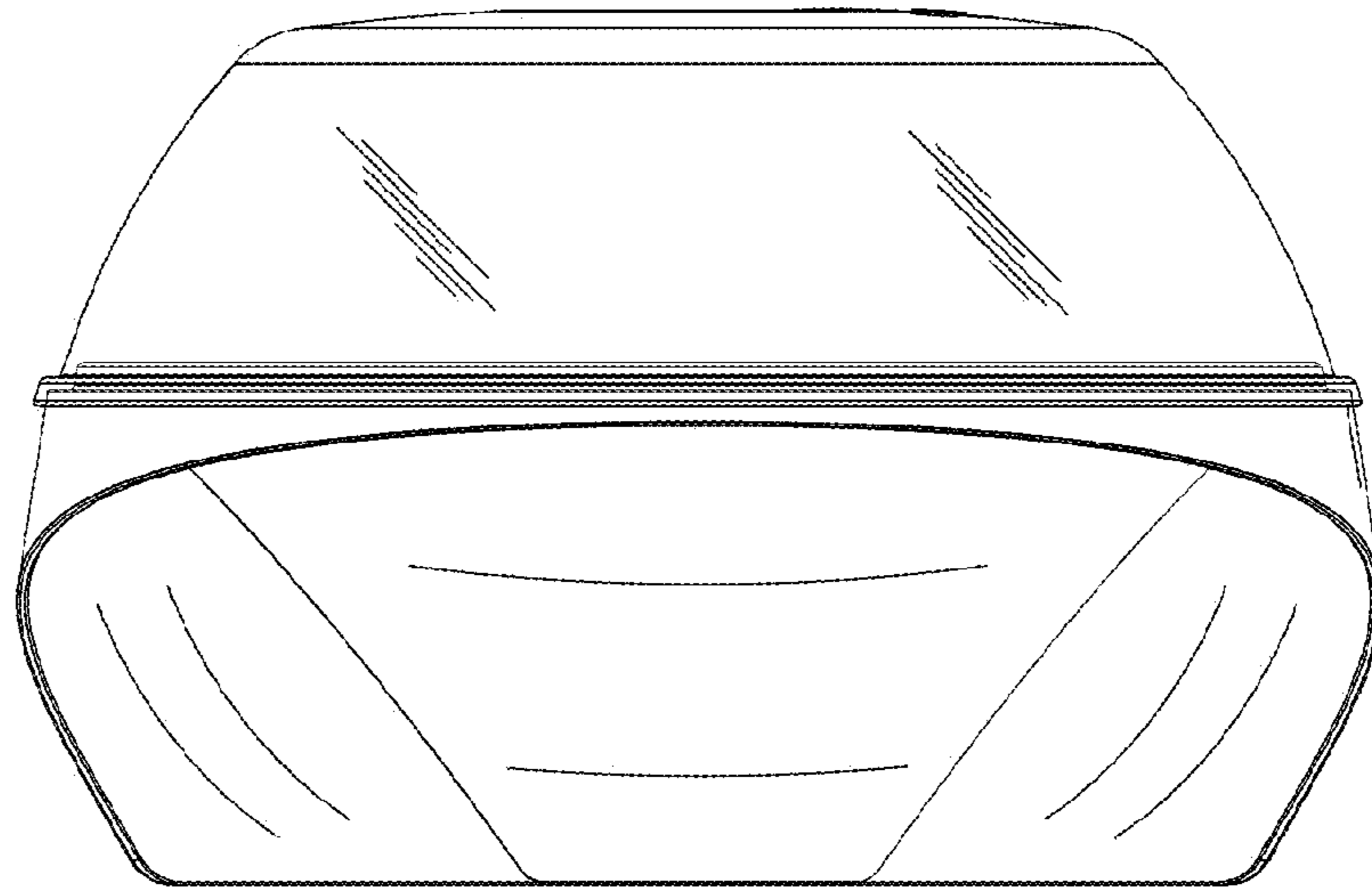
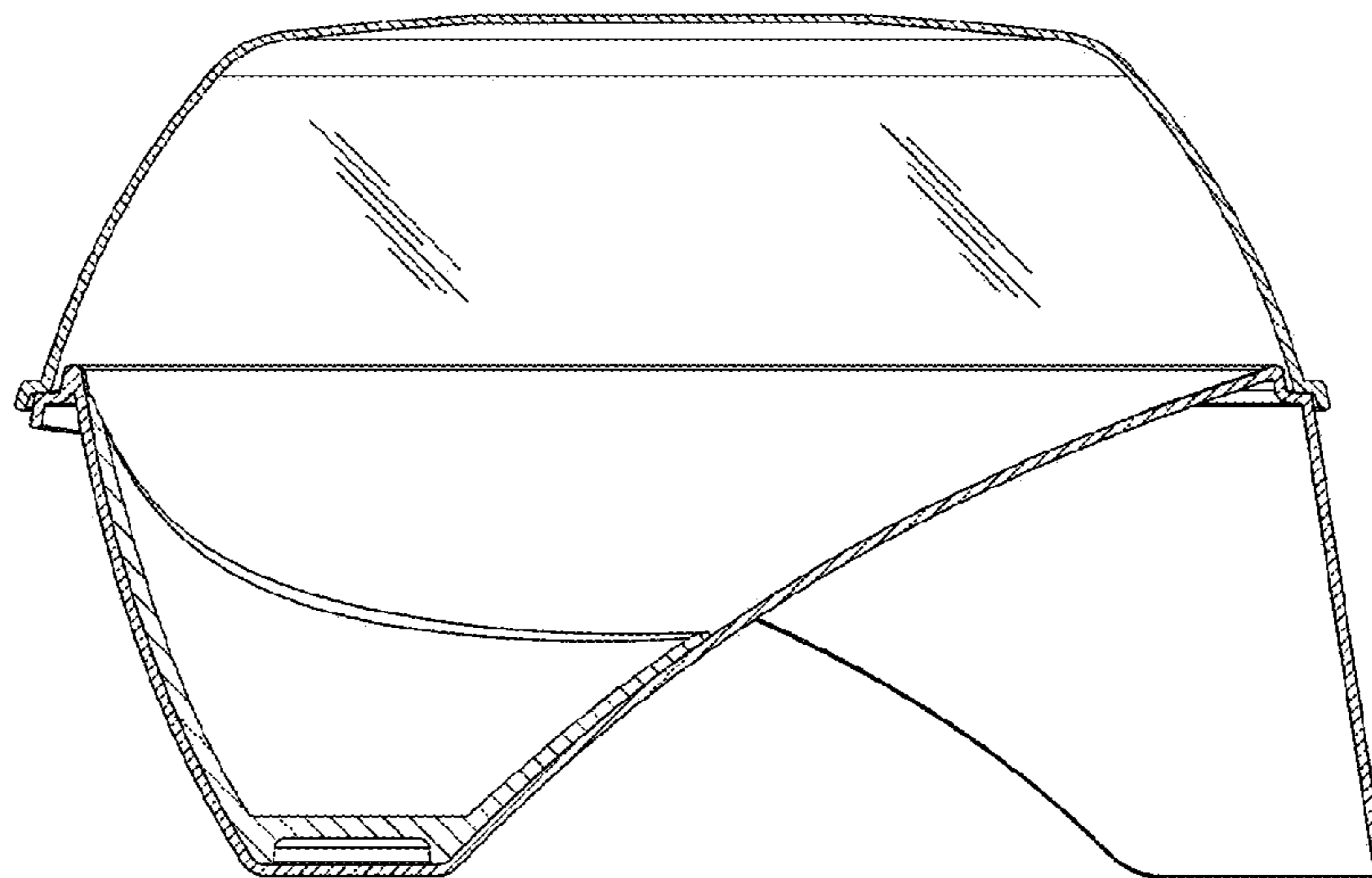


FIG. 9



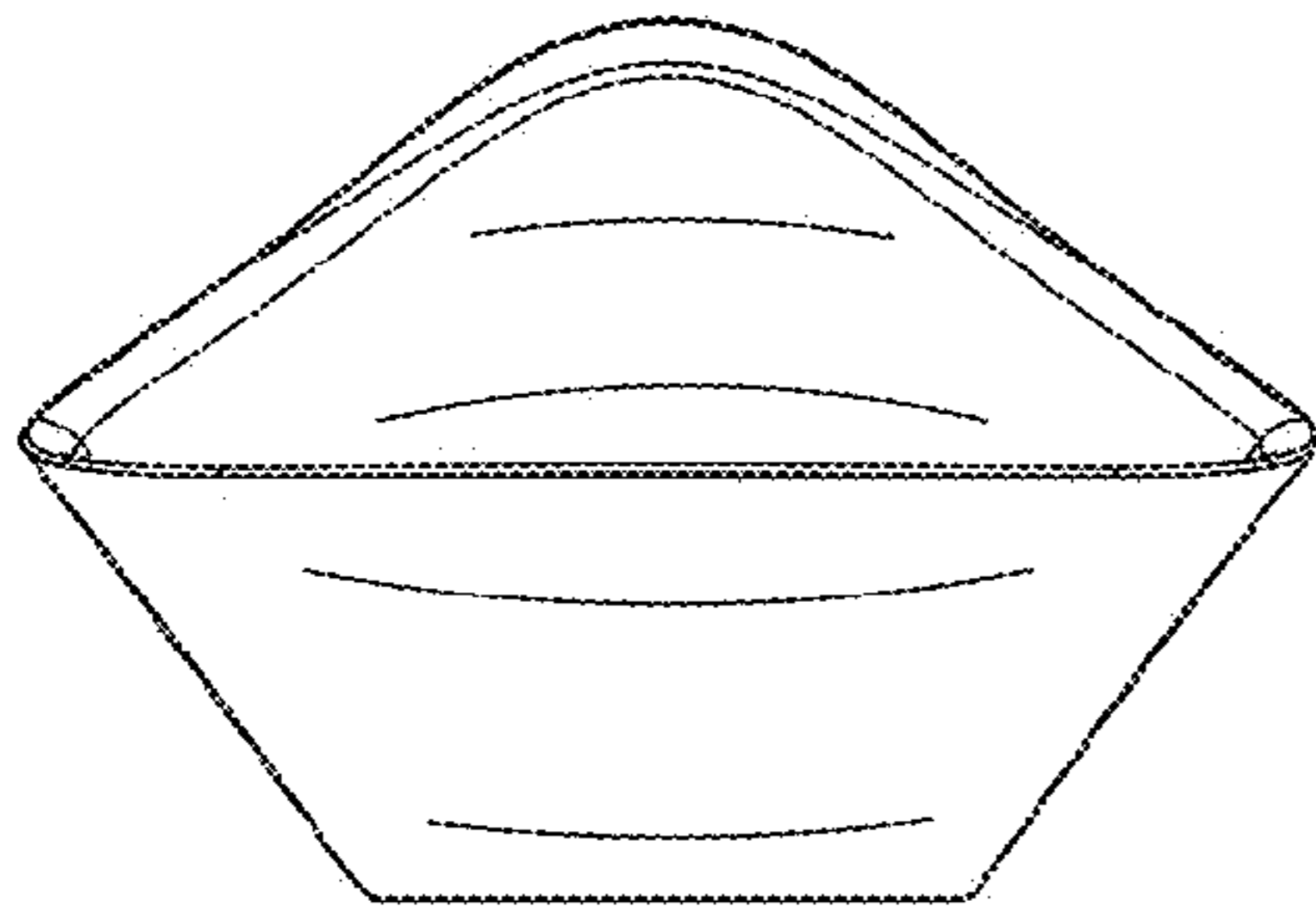


FIG. 10

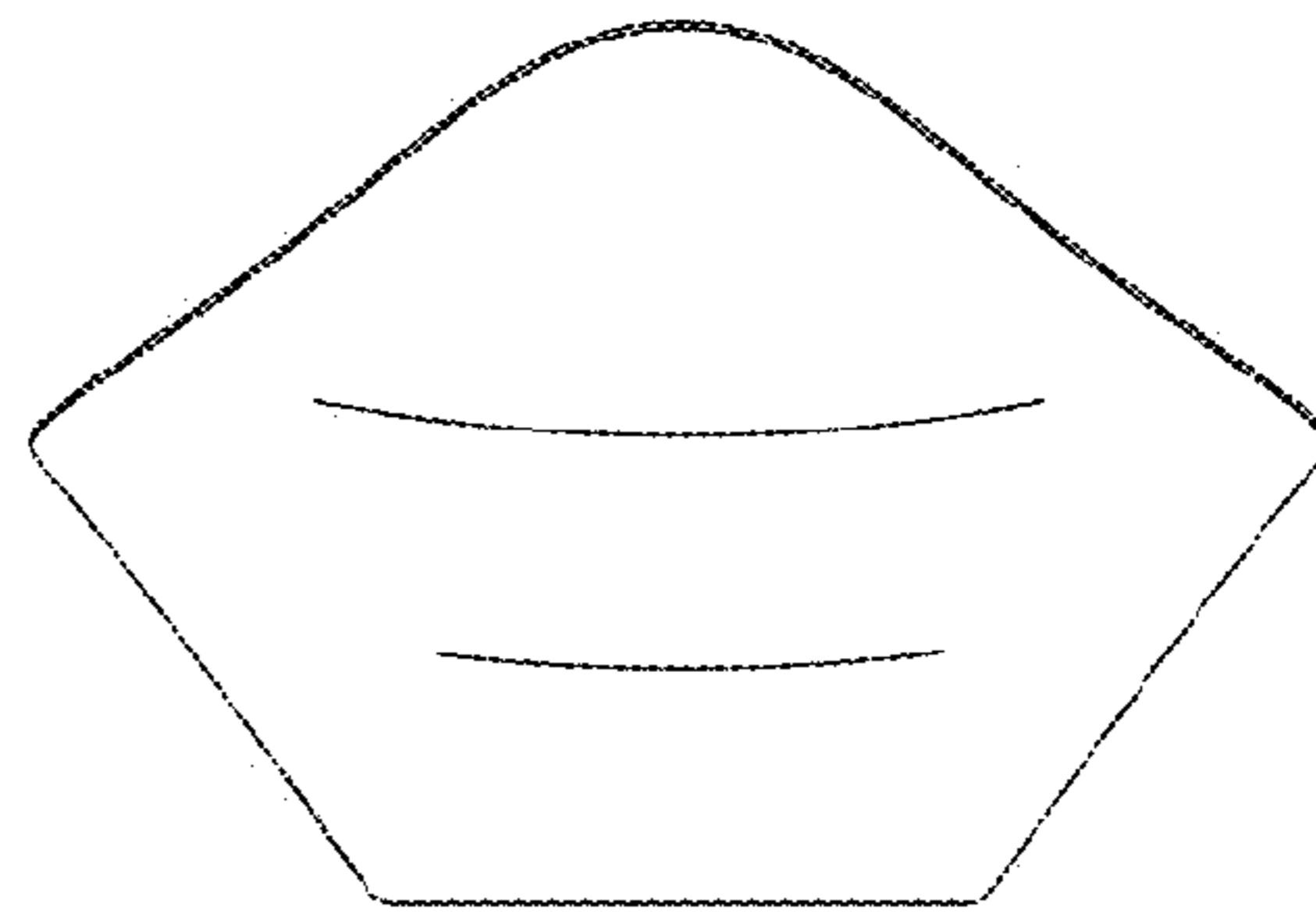


FIG. 11

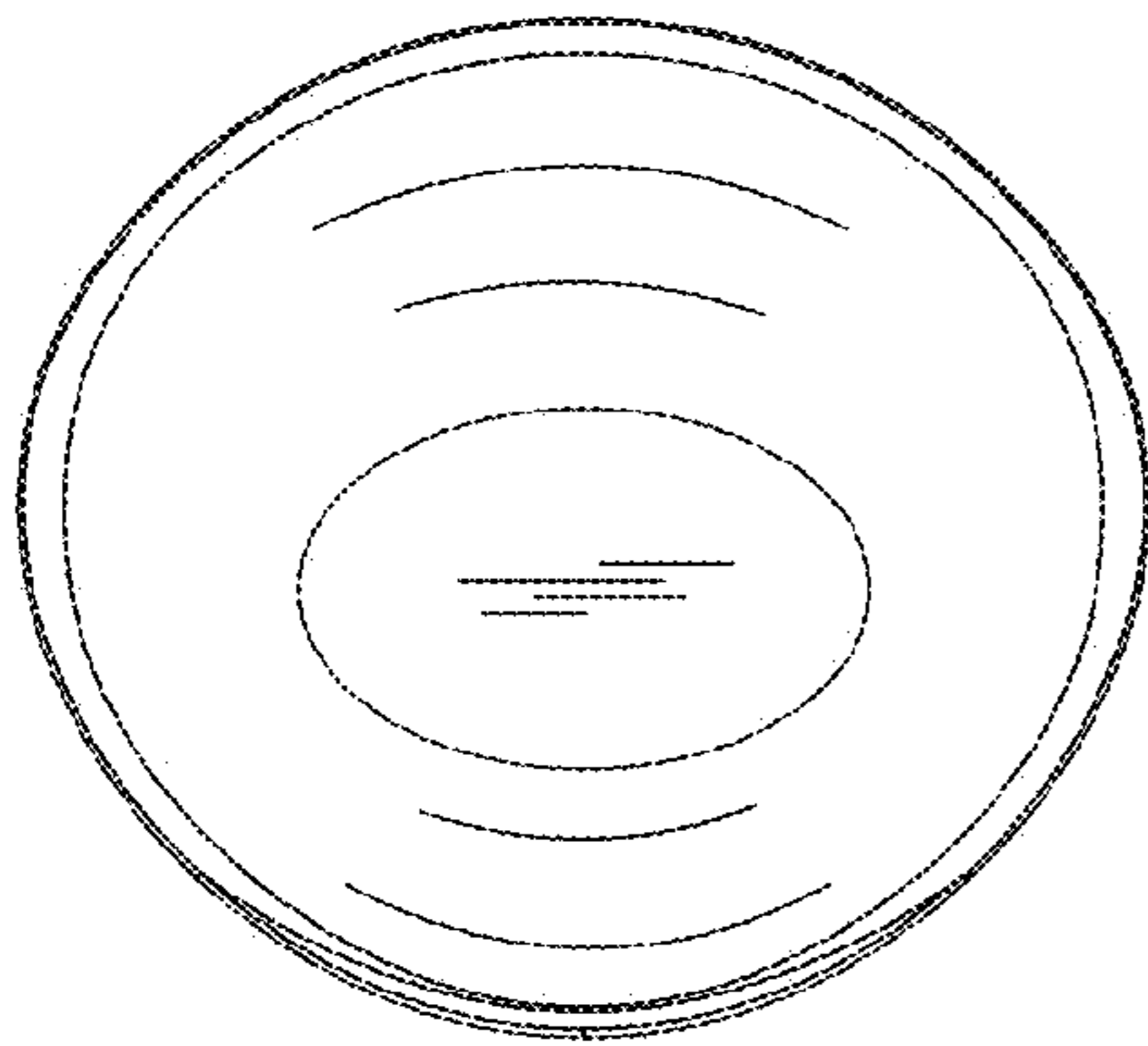


FIG. 12

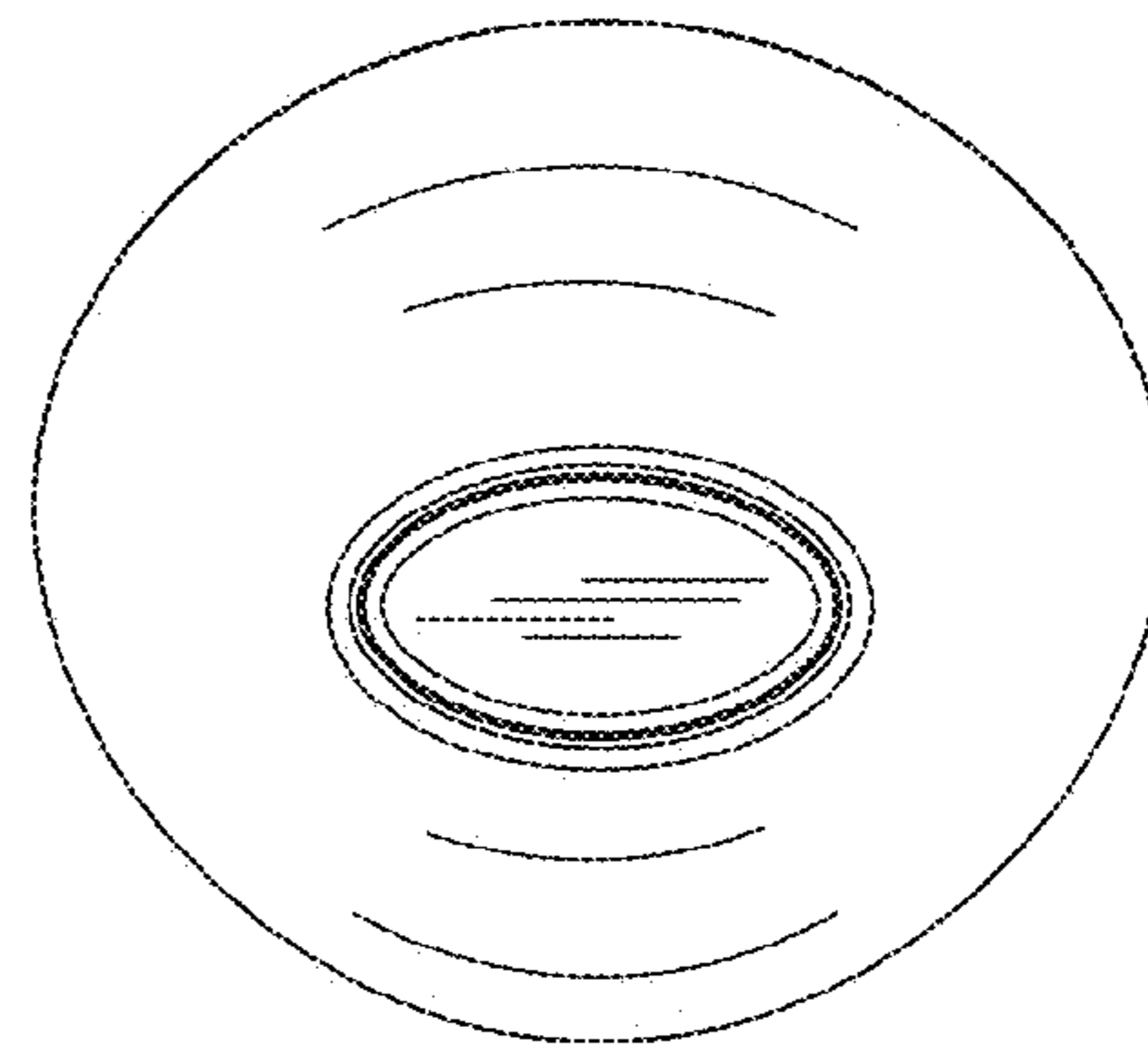


FIG. 13

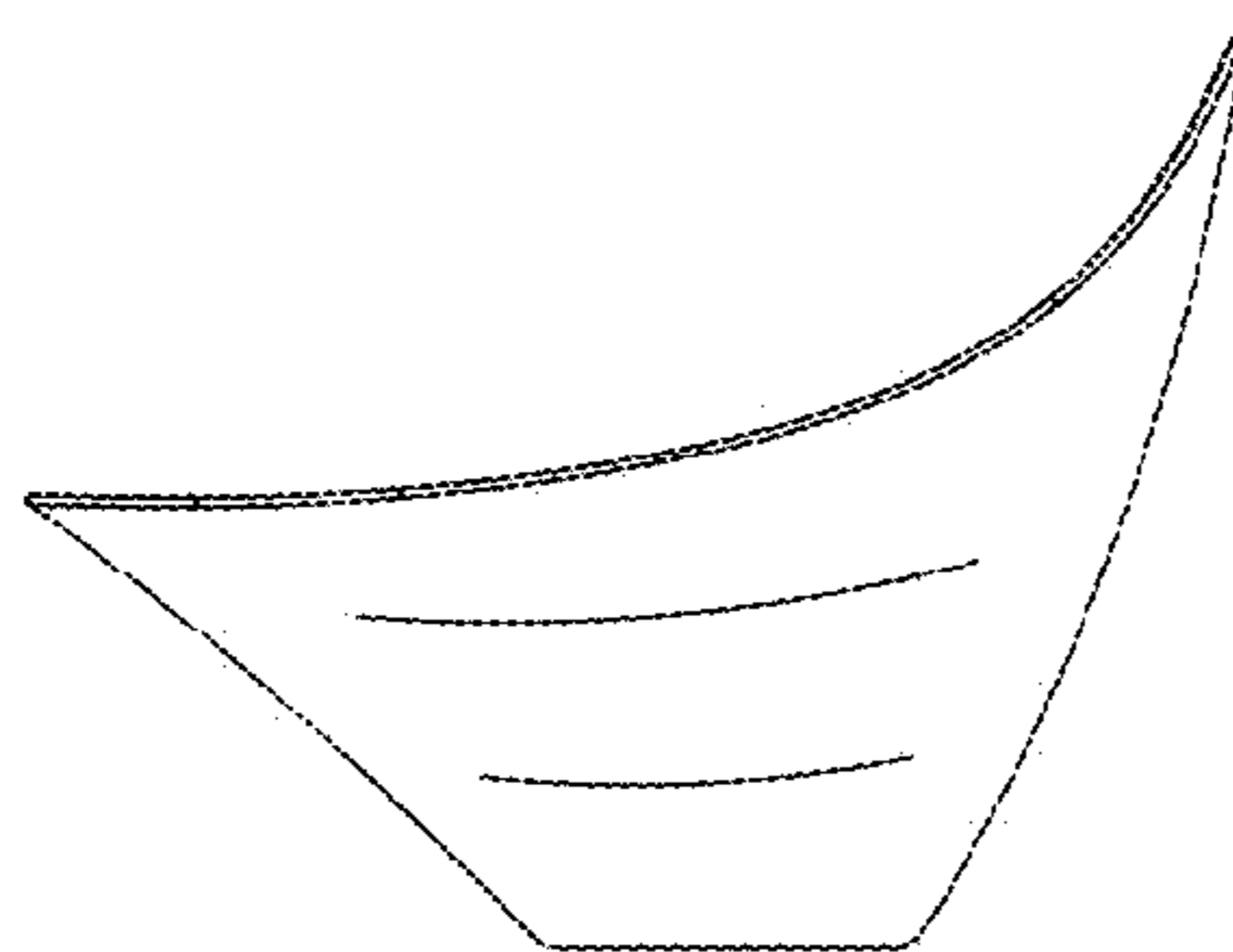


FIG. 14