



US00D680359S

(12) **United States Design Patent**  
**Studwell et al.**

(10) **Patent No.:** **US D680,359 S**

(45) **Date of Patent:** **\*\* Apr. 23, 2013**

(54) **TOASTER COVER**

(76) Inventors: **Laura Ann Studwell**, Aurora, IL (US);  
**Mark Bertalmio**, Aurora, IL (US)

(\*\*) Term: **14 Years**

(21) Appl. No.: **29/427,615**

(22) Filed: **Jul. 20, 2012**

(51) **LOC (9) Cl.** ..... **06-13**

(52) **U.S. Cl.**  
USPC ..... **D6/610**

(58) **Field of Classification Search** ..... D6/610,  
D6/611, 596, 601, 602, 603, 615, 617, 621;  
D7/332, 334-337; D12/401-405; 135/87,  
135/88.01, 95; 150/165-167, 158, 154; 280/770;  
296/136.01, 136.1, 136.11  
See application file for complete search history.

(56) **References Cited**

U.S. PATENT DOCUMENTS

3,170,418 A \* 2/1965 Gruenstein ..... 108/101  
D282,045 S \* 1/1986 Pratt ..... D7/390

5,216,944 A \* 6/1993 Trujillo ..... 99/339  
5,423,246 A \* 6/1995 McNair et al. .... 99/334  
D386,349 S \* 11/1997 Wysocky et al. .... D6/610  
6,435,081 B1 \* 8/2002 Williams ..... 99/646 R  
D472,760 S \* 4/2003 Grumadaite et al. .... D7/390

\* cited by examiner

*Primary Examiner* — Katrina A Betton

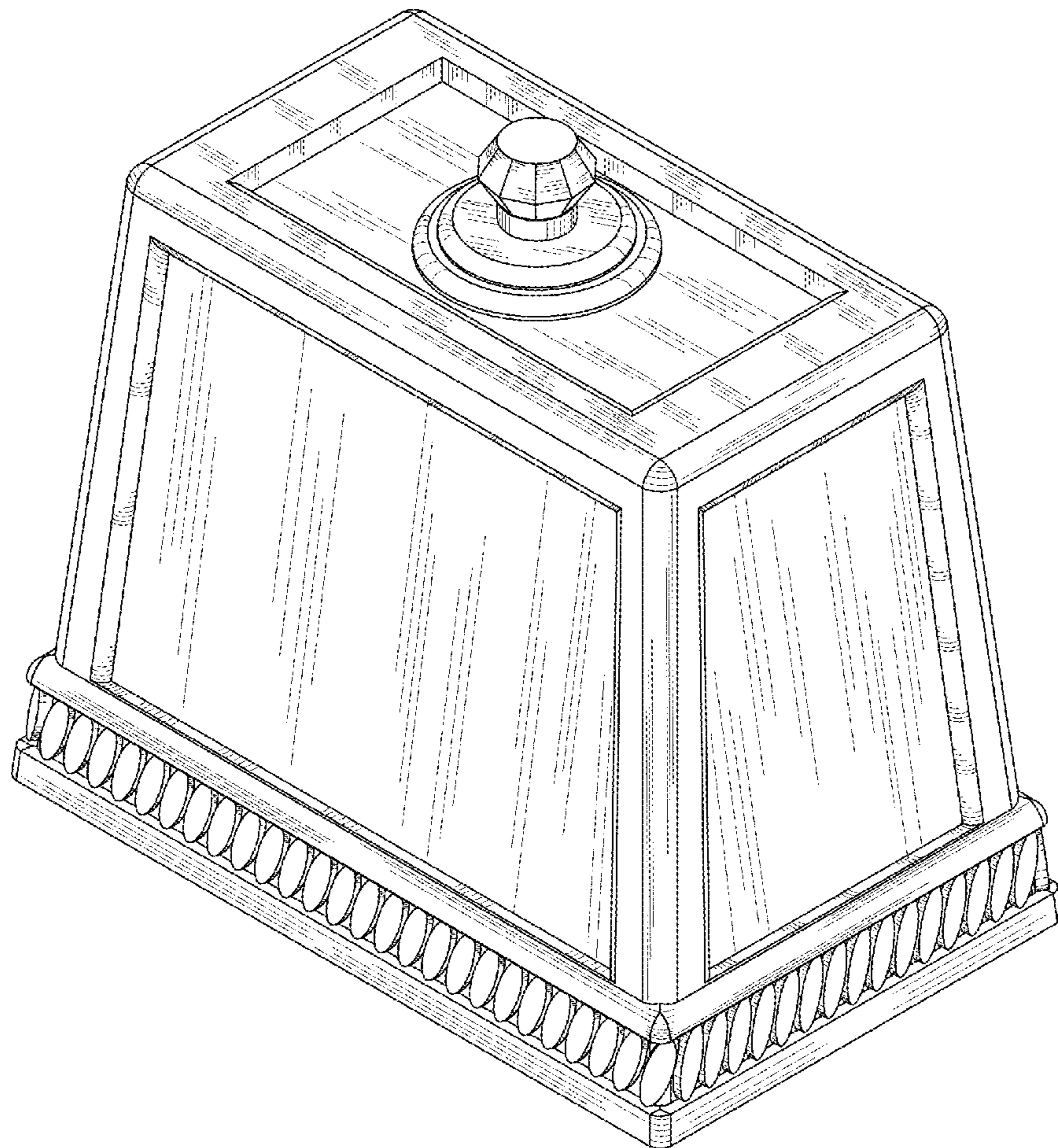
(57) **CLAIM**

The ornamental design for a toaster cover, as shown and described.

**DESCRIPTION**

FIG. 1 is a perspective view of a toaster cover;  
FIG. 2 is a front elevational view thereof;  
FIG. 3 is a rear elevational view thereof;  
FIG. 4 is a right-side elevational view thereof;  
FIG. 5 is a left-side elevational view thereof;  
FIG. 6 is a top plan view thereof;  
FIG. 7 is a bottom plan view thereof; and,  
FIG. 8 is a perspective bottom view thereof.

**1 Claim, 8 Drawing Sheets**



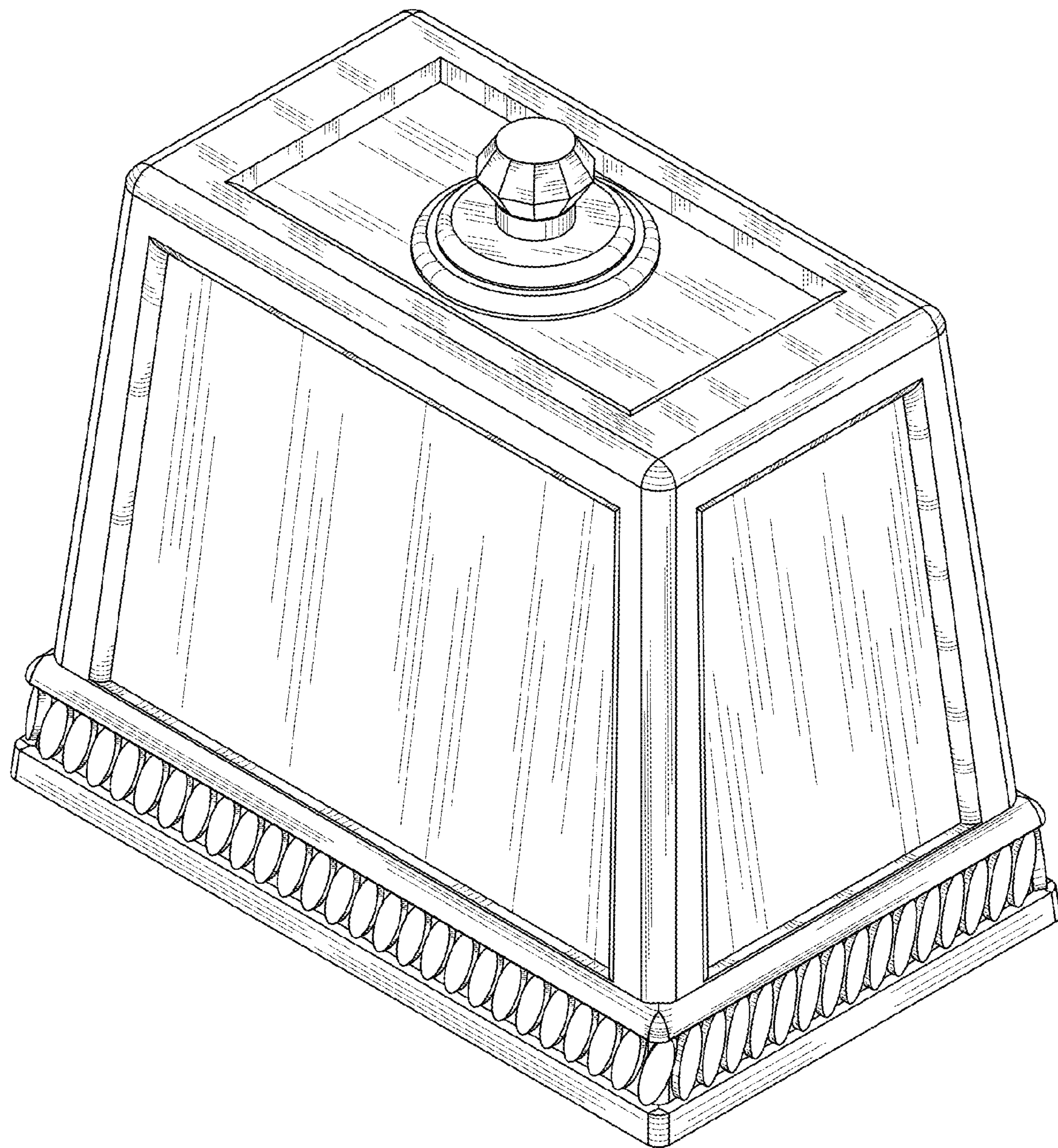


FIG. 1

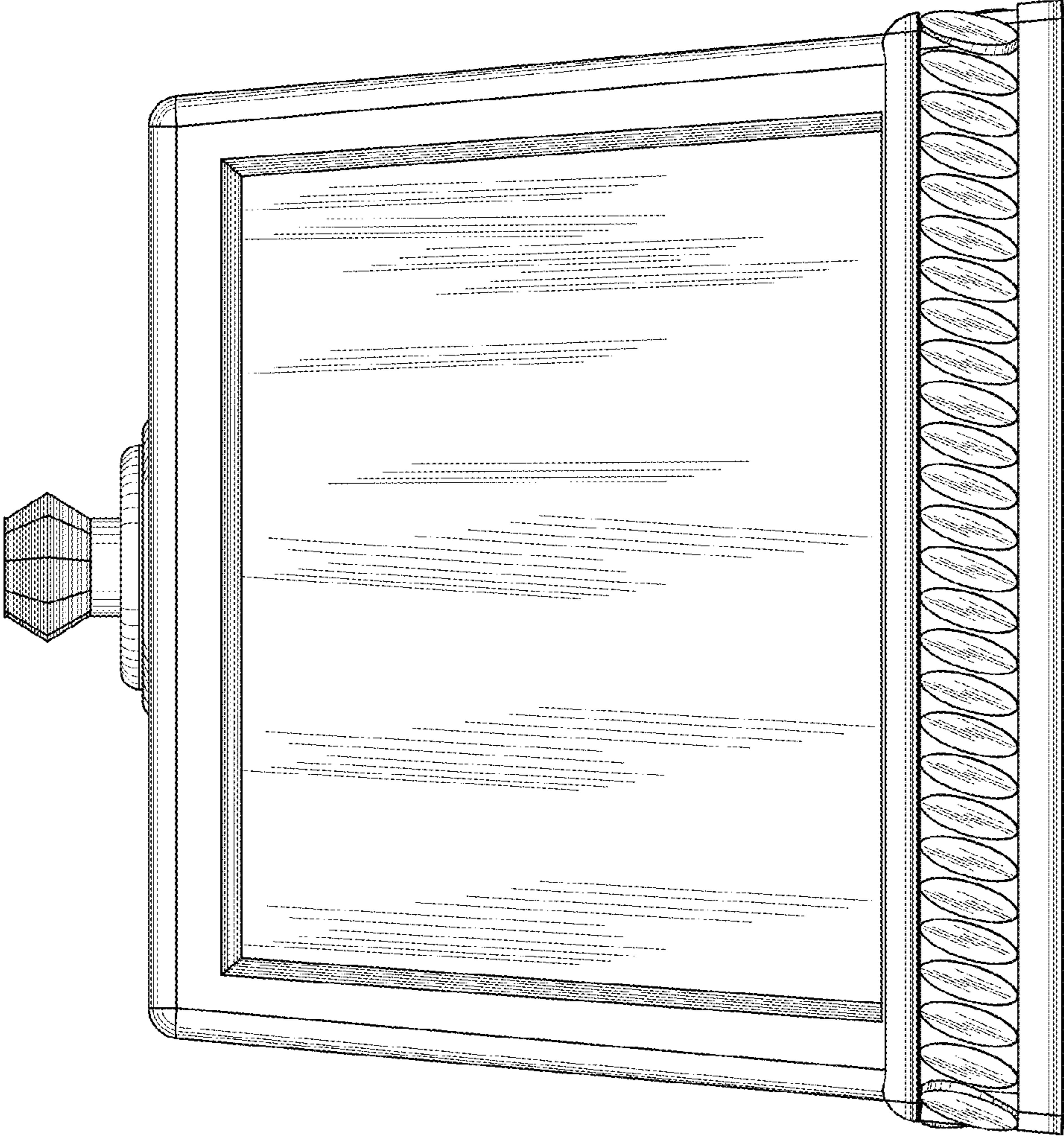


FIG. 2

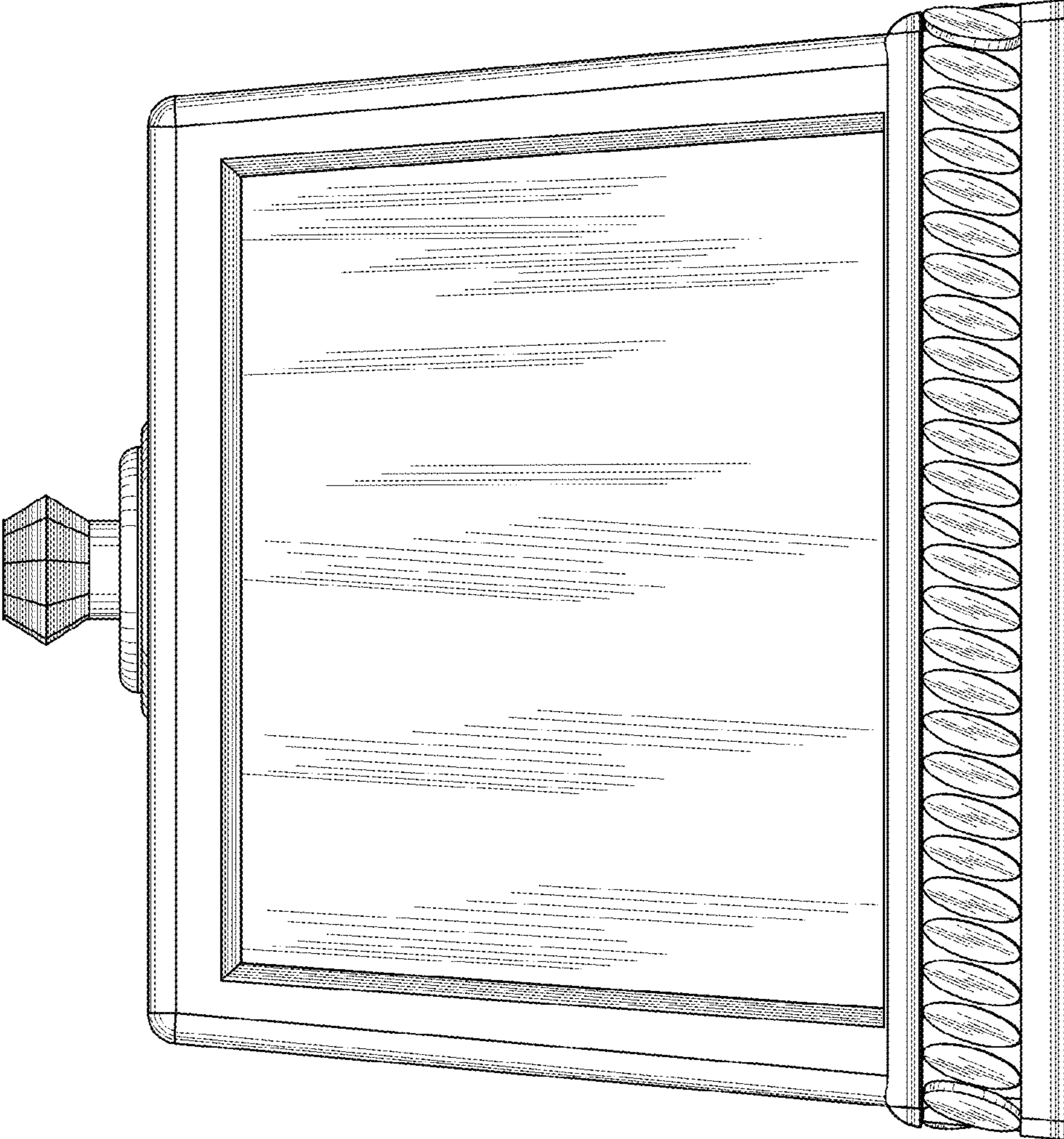


FIG. 3

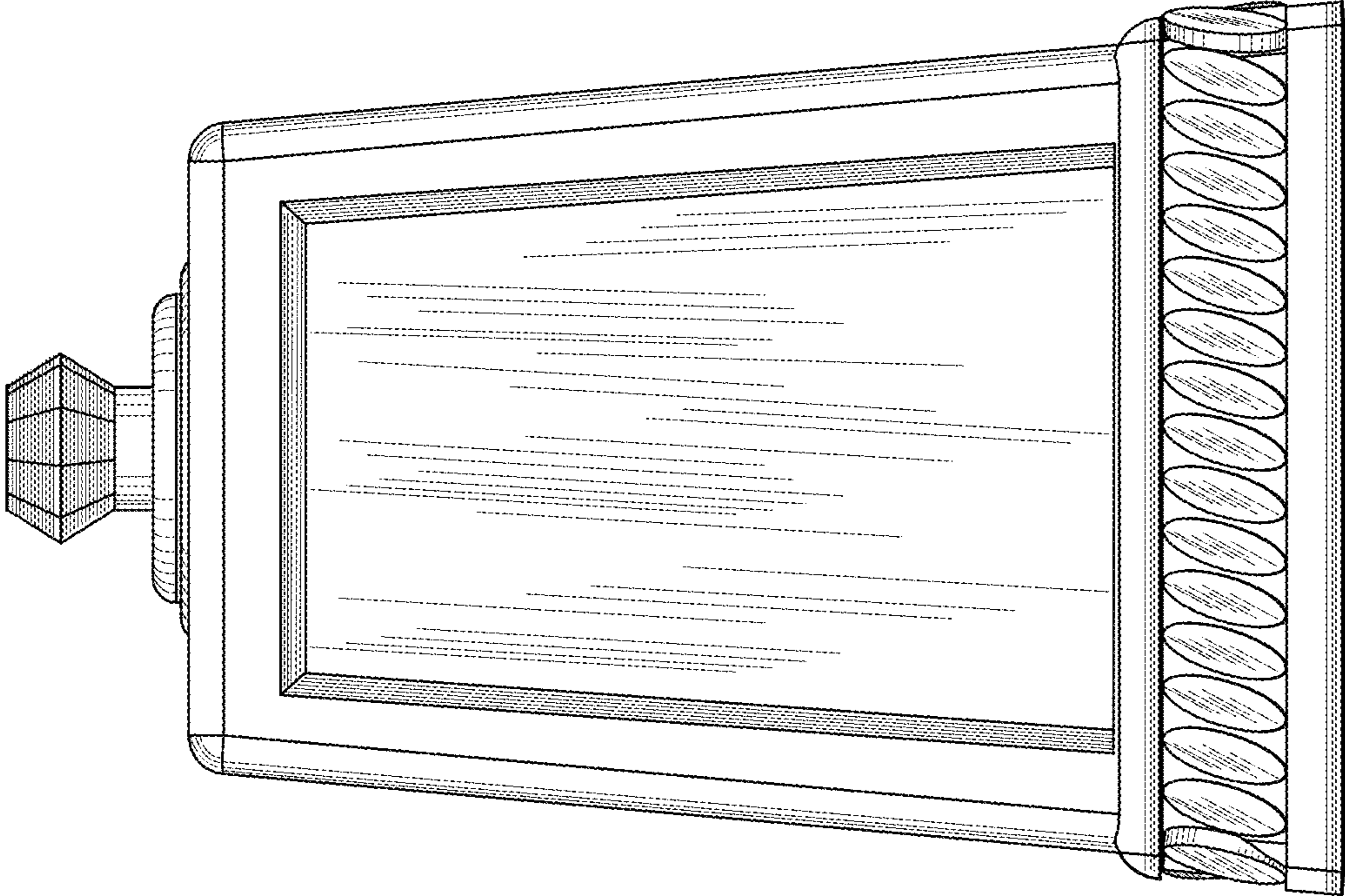


FIG. 4

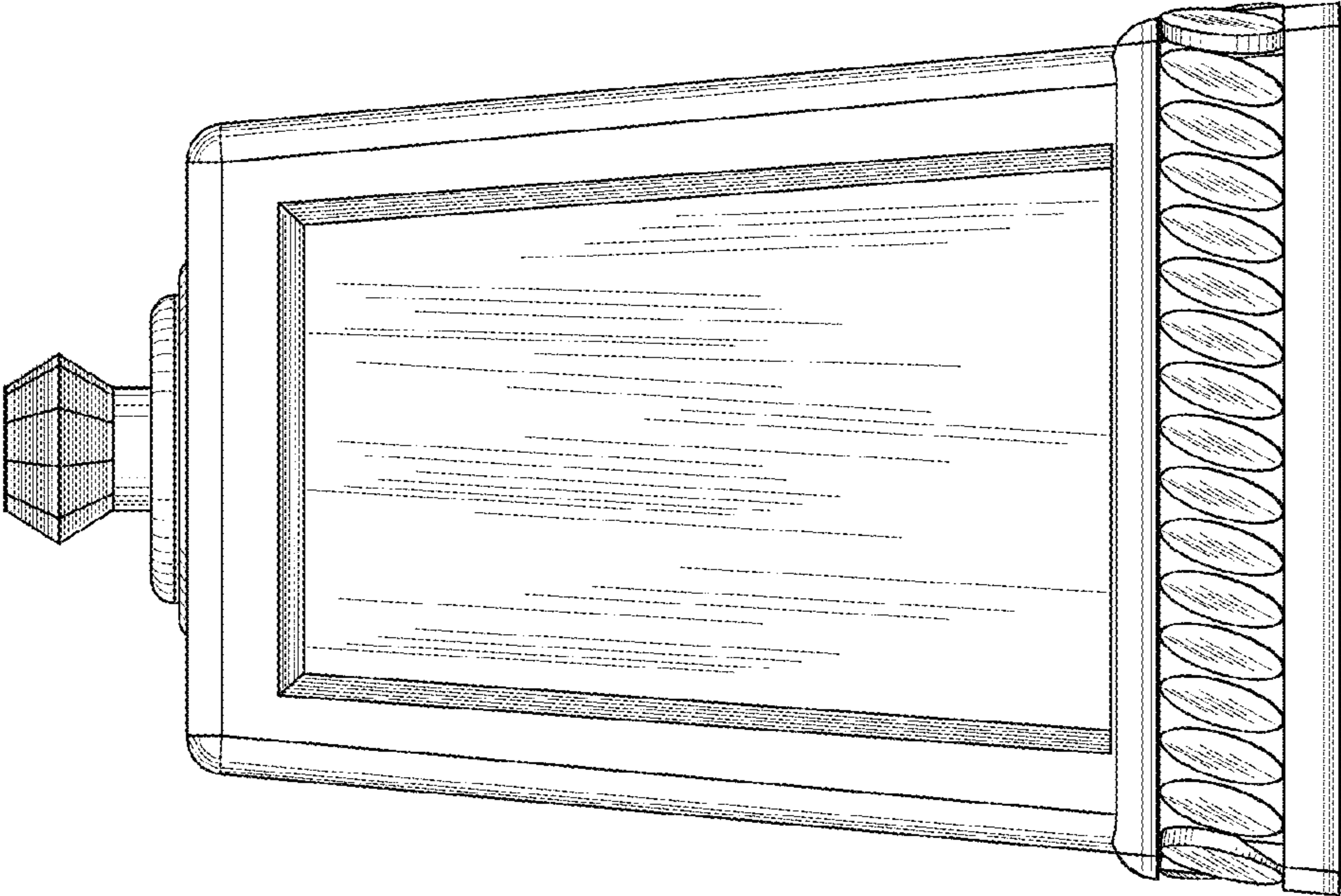


FIG. 5

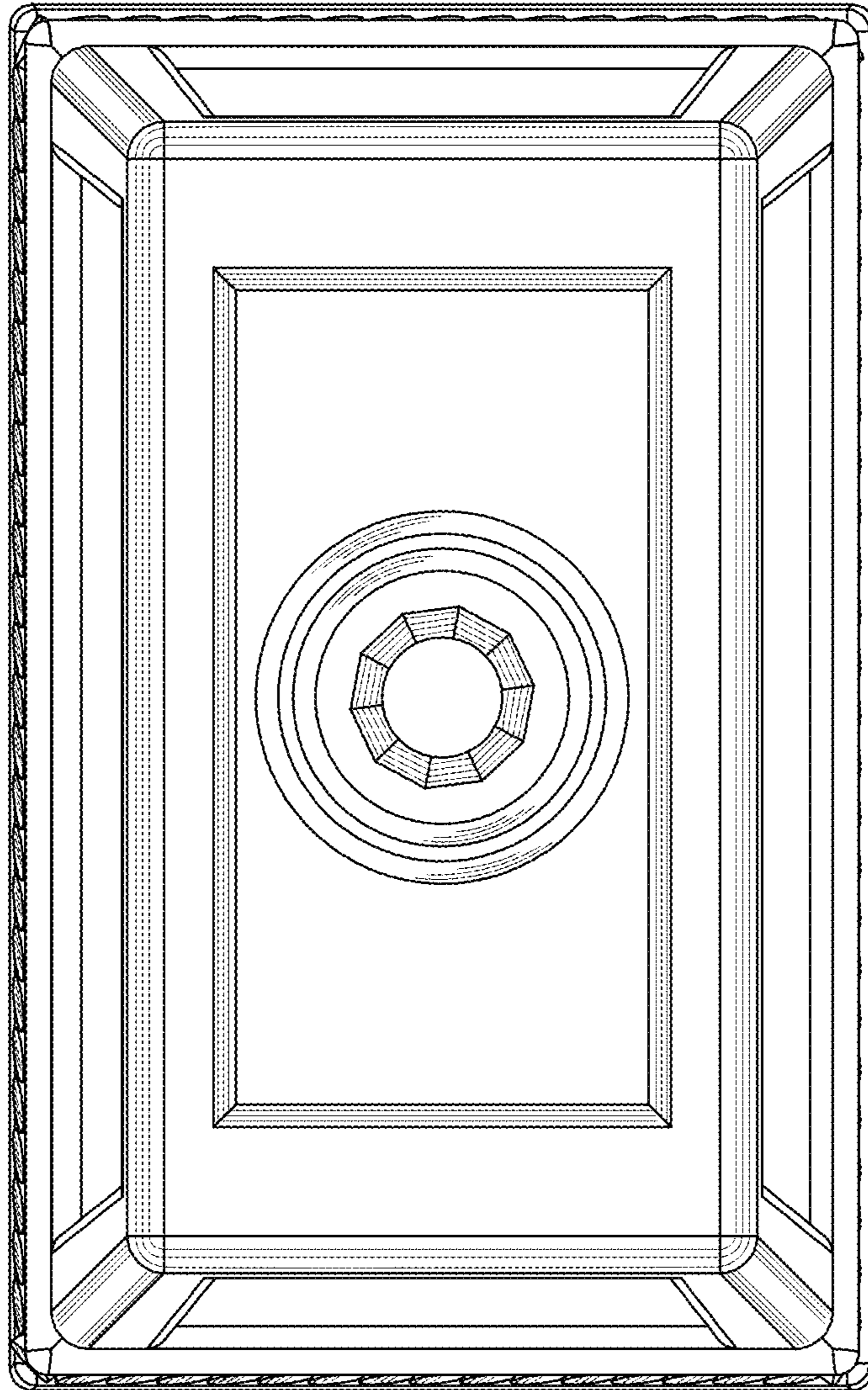


FIG. 6

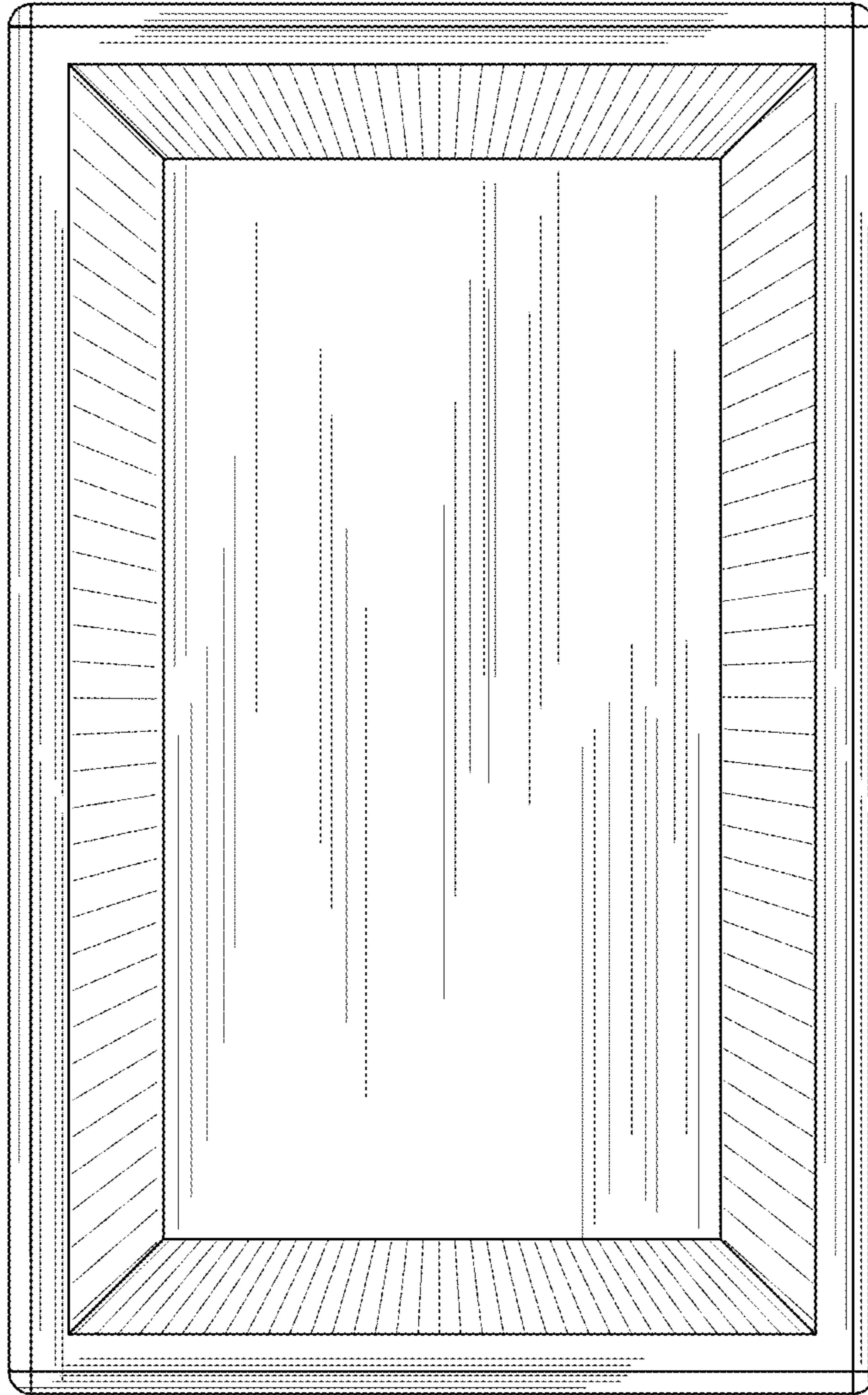


FIG. 7



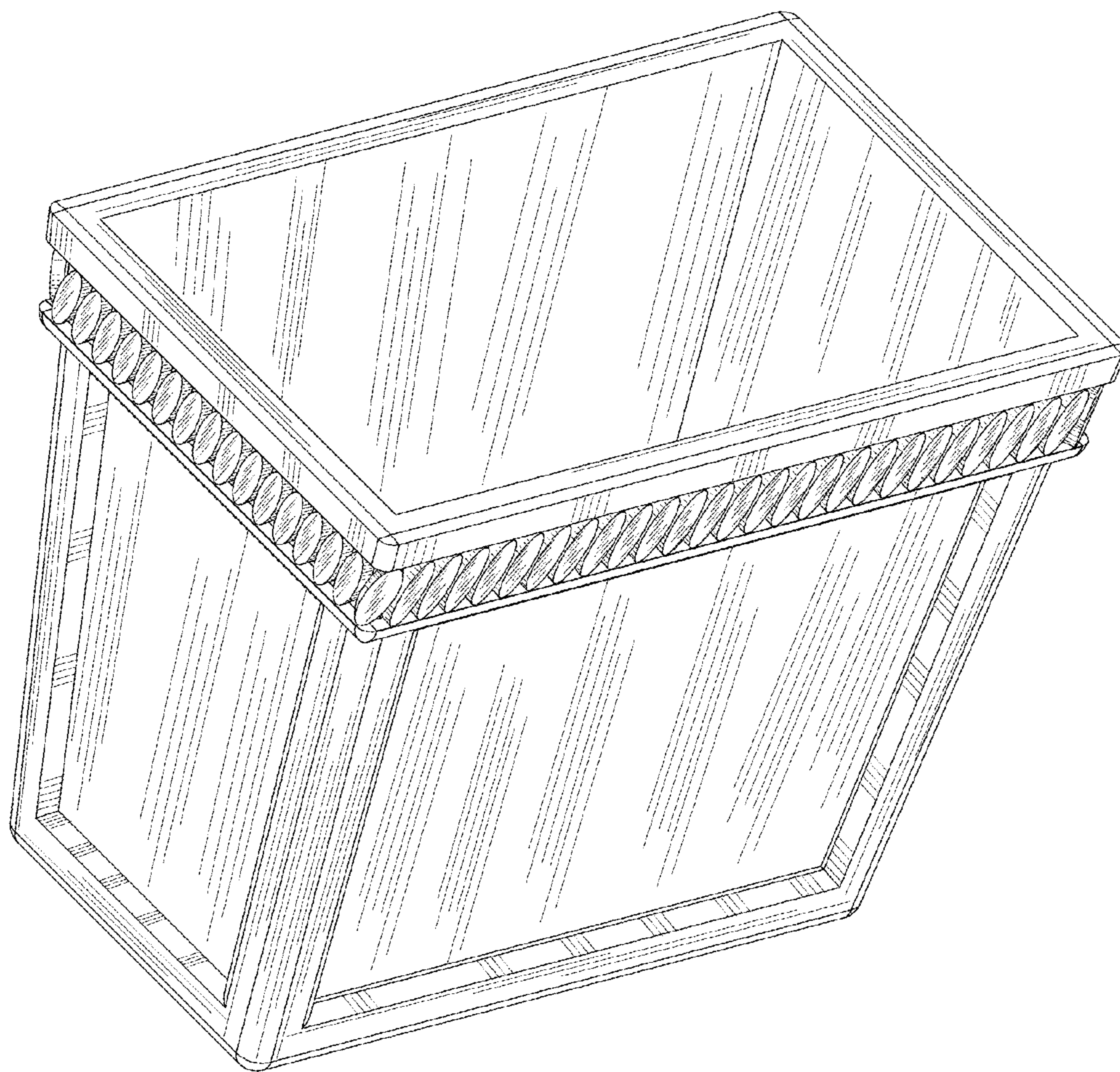


FIG. 8