



US00D680357S

(12) **United States Design Patent**
Wills et al.

(10) **Patent No.:** **US D680,357 S**

(45) **Date of Patent:** **** Apr. 23, 2013**

(54) **ROLLER SHADE FACIA**

(76) Inventors: **Norman Wills**, Mississauga (CA);
Philip Ng, Thornhill (CA)

(**) Term: **14 Years**

(21) Appl. No.: **29/411,878**

(22) Filed: **Jan. 27, 2012**

(30) **Foreign Application Priority Data**

Dec. 19, 2011 (CA) 143768

(51) **LOC (9) Cl.** **06-10**

(52) **U.S. Cl.**
USPC **D6/580**

(58) **Field of Classification Search** D6/577,
D6/579, 580; D8/376; D26/75, 76, 77, 78;
D25/55, 60, 121, 153; 160/166.1, 167, 168 R,
160/194, 173 R, 230, 235, 236, 330, 348
See application file for complete search history.

(56) **References Cited**

U.S. PATENT DOCUMENTS

D380,329 S * 7/1997 Chou D6/579
D406,716 S * 3/1999 Growden D6/579
D489,209 S * 5/2004 Goldberg D6/580
D542,067 S * 5/2007 Watkins et al. D6/580

* cited by examiner

Primary Examiner — Susan Bennett Hattan

(74) *Attorney, Agent, or Firm* — Honigman Miller Schwartz
and Cohn LLP

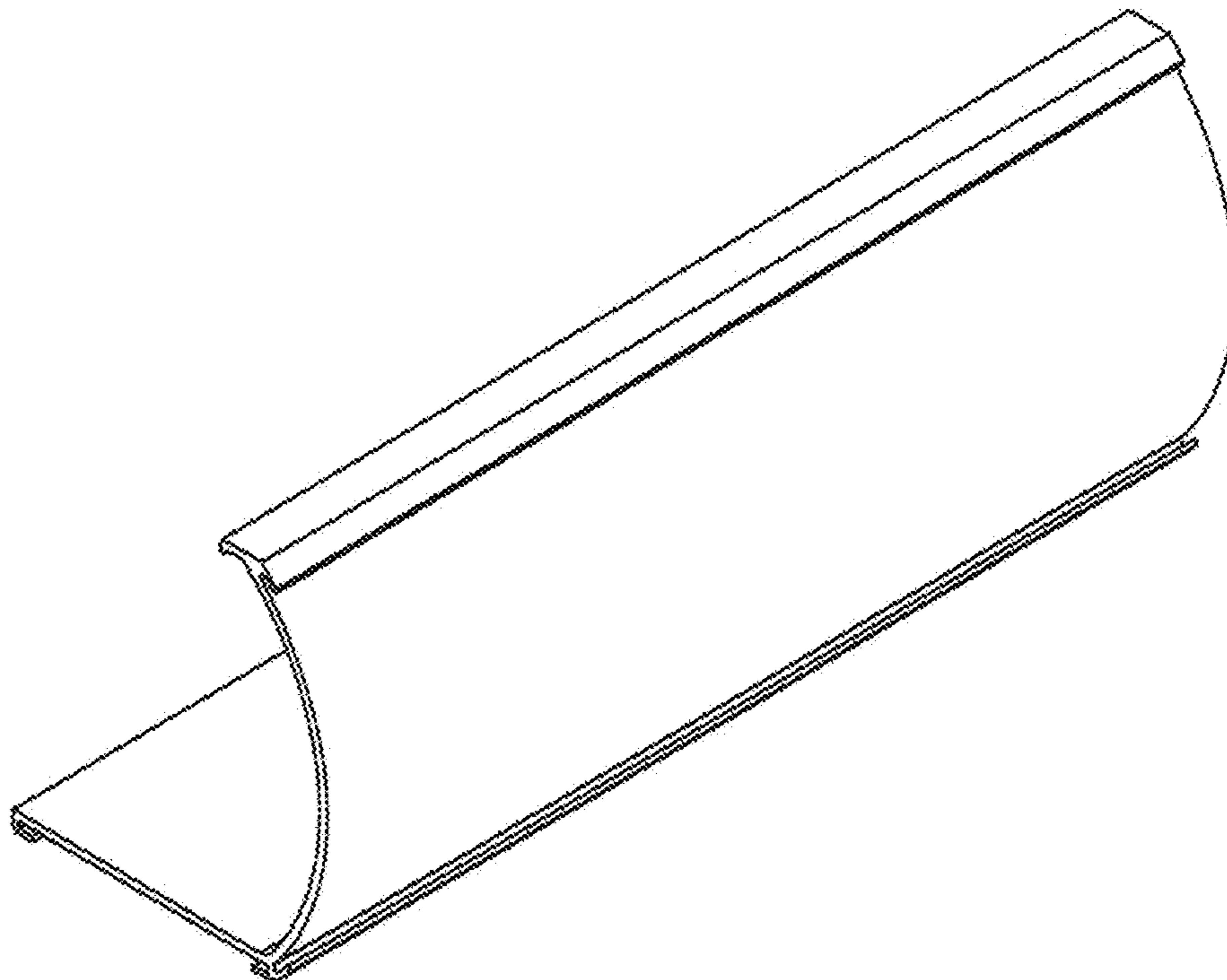
(57) **CLAIM**

The ornamental design for roller shade facia, as shown and
described.

DESCRIPTION

FIG. 1 is an upper side perspective view of the roller shade
facia having its end plates shown in broken lines depicting
environment that forms no part of the claimed design;
FIG. 2 is an upper side perspective view of the roller shade
facia shown in FIG. 1;
FIG. 3 is a left side view of the roller shade facia shown in
FIG. 2;
FIG. 4 is a right side view of the roller shade facia shown in
FIG. 2;
FIG. 5 is a front elevational view of the roller shade facia
shown in FIG. 2;
FIG. 6 is a rear elevational view of the roller shade facia
shown in FIG. 2;
FIG. 7 is a top view of the roller shade facia shown in FIG. 2;
and,
FIG. 8 is a bottom view of the roller shade facia shown in FIG.
2.

1 Claim, 8 Drawing Sheets



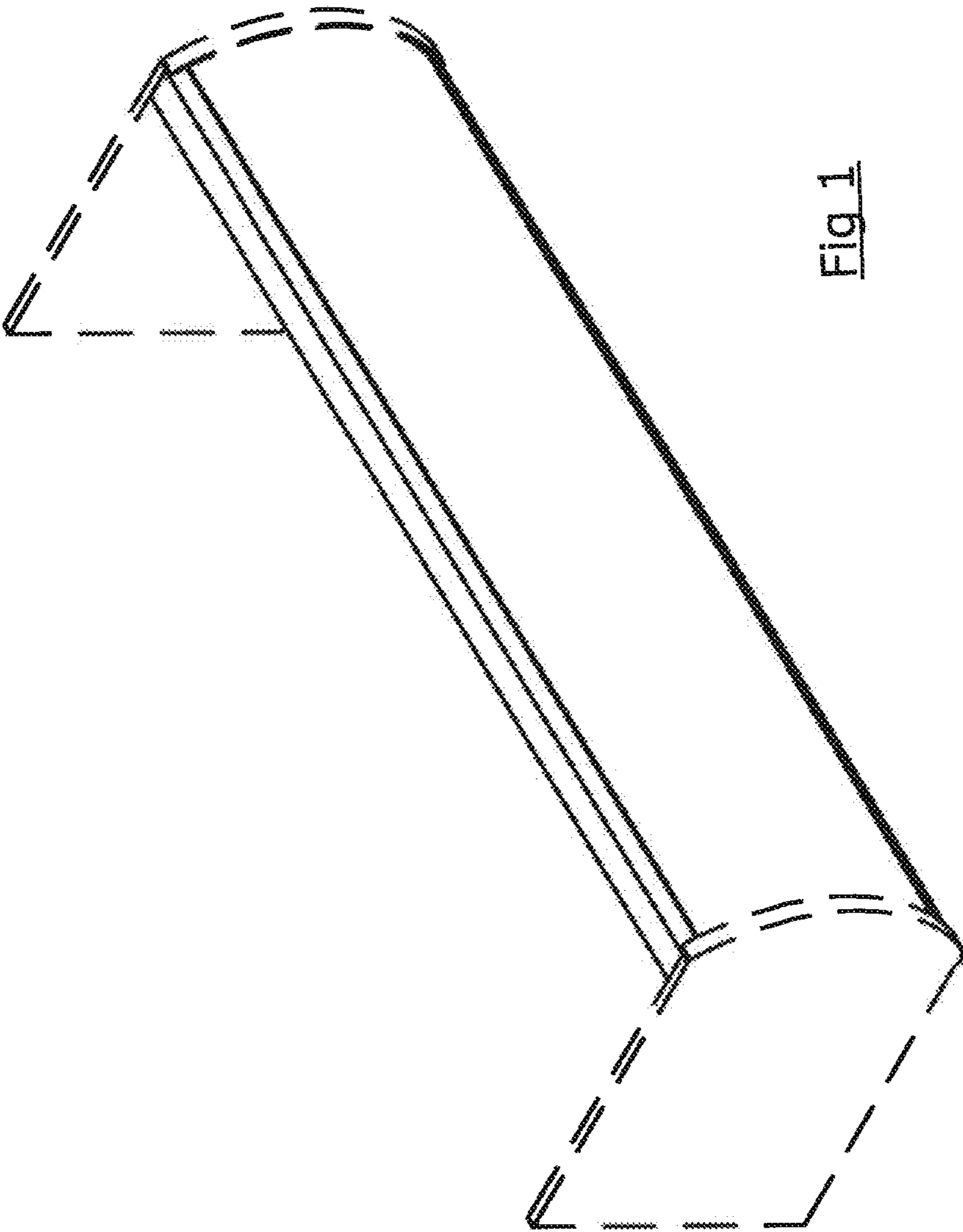


Fig 1

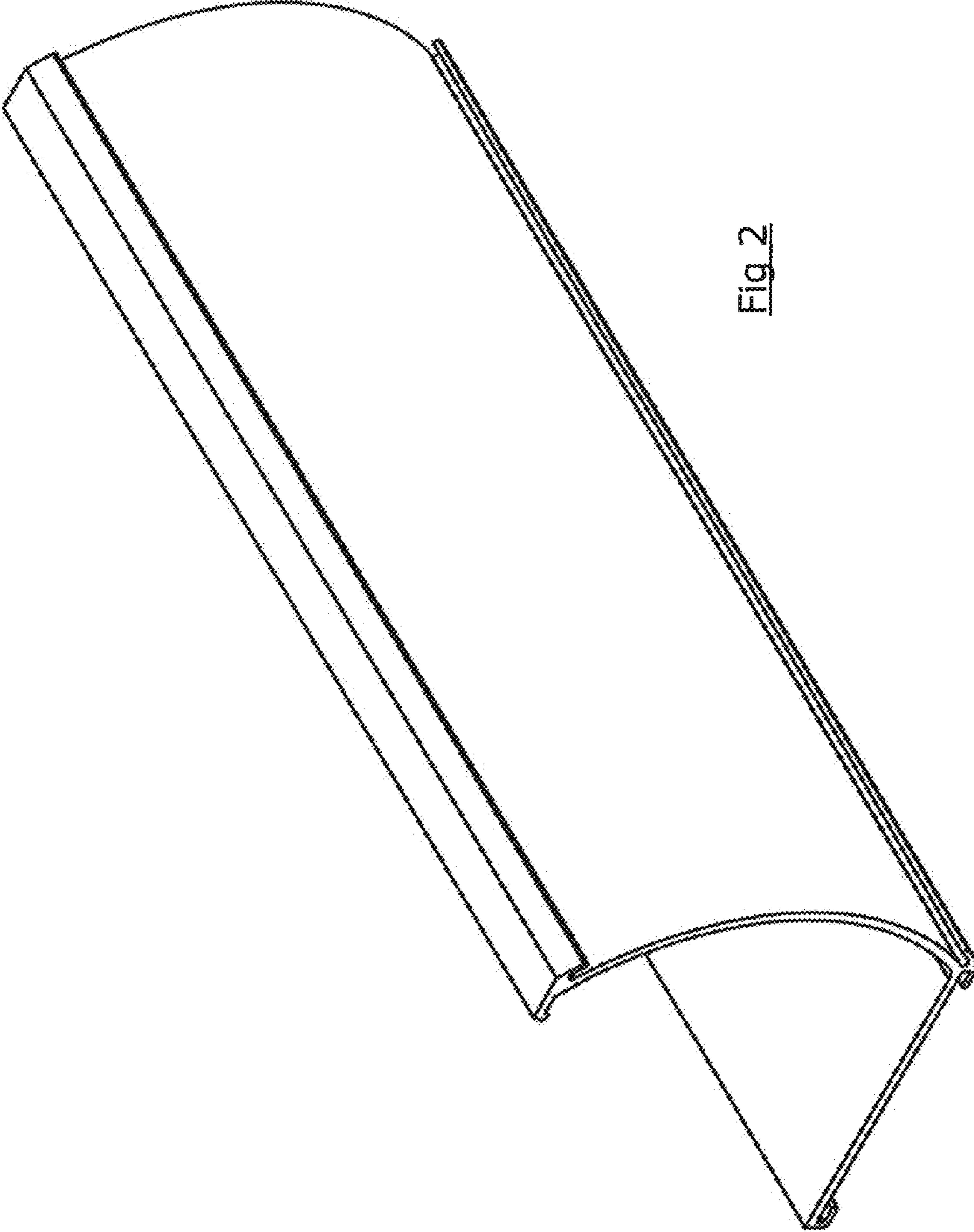


Fig. 2

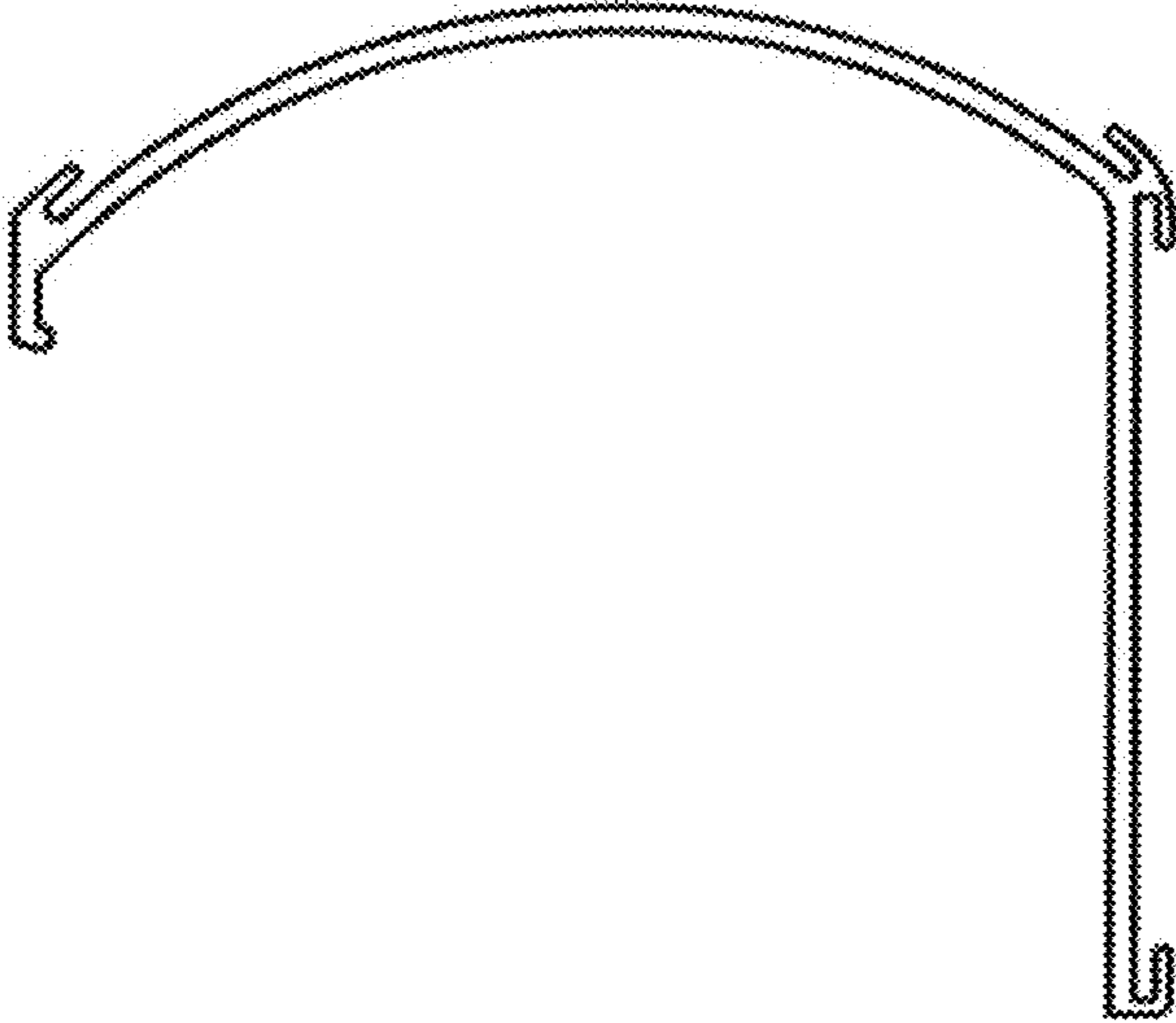


Fig 3

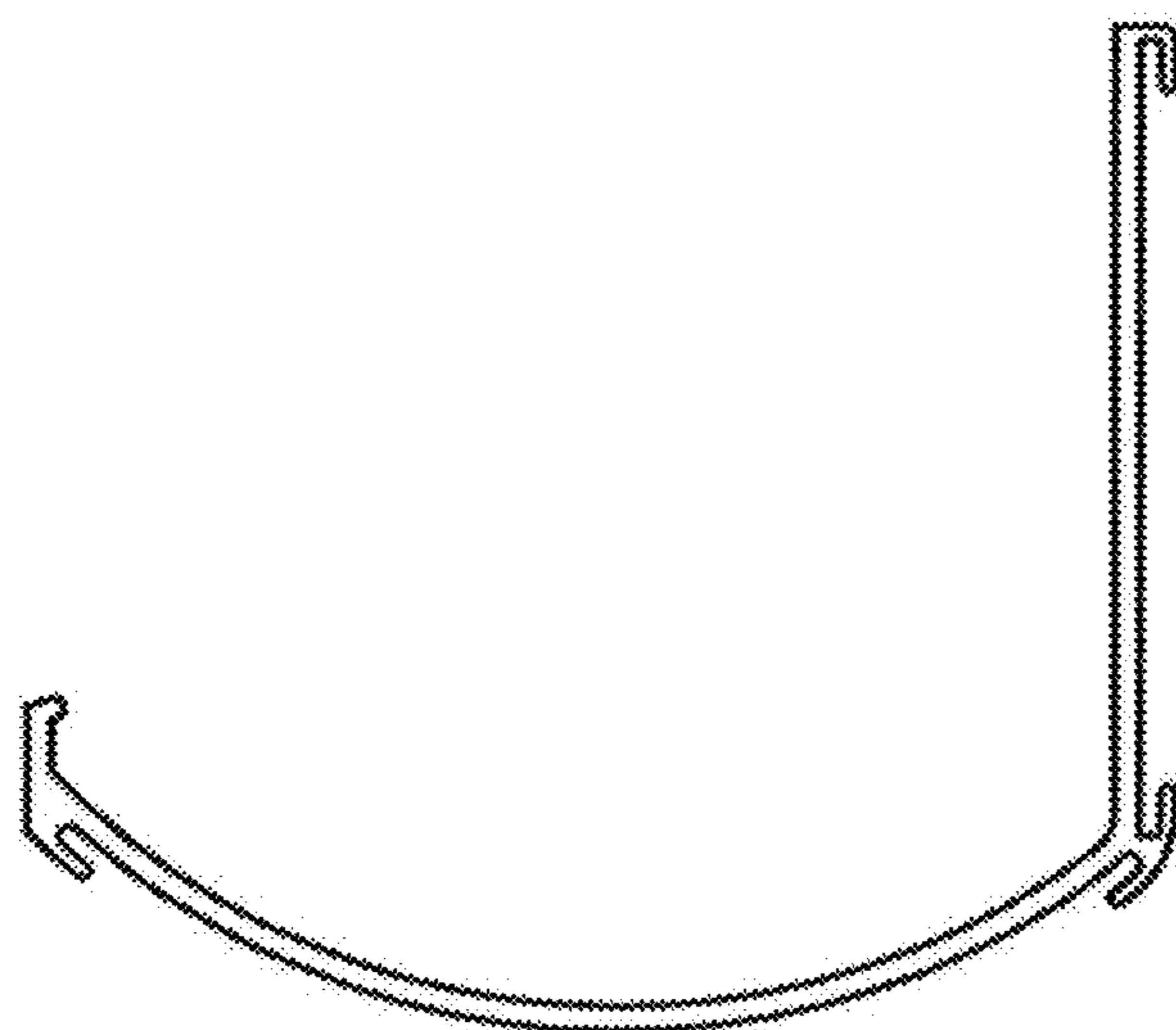


Fig 4

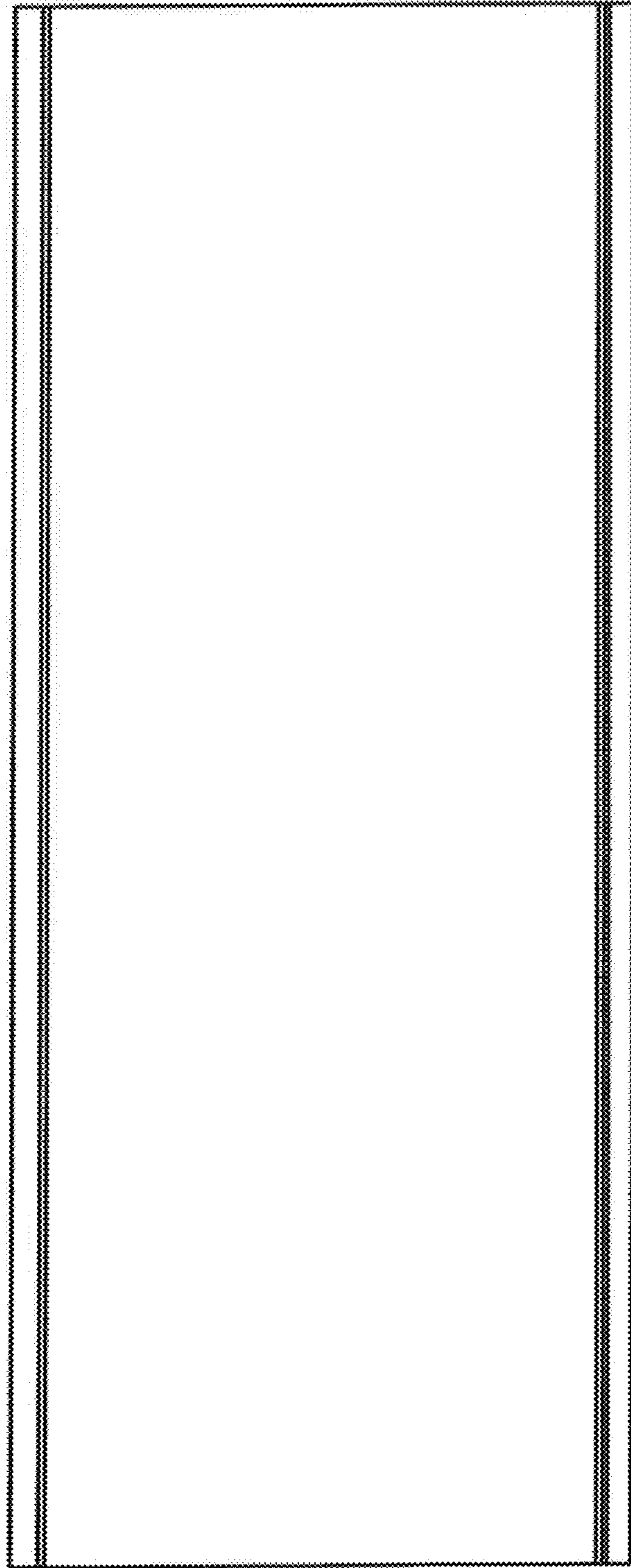


Fig. 5

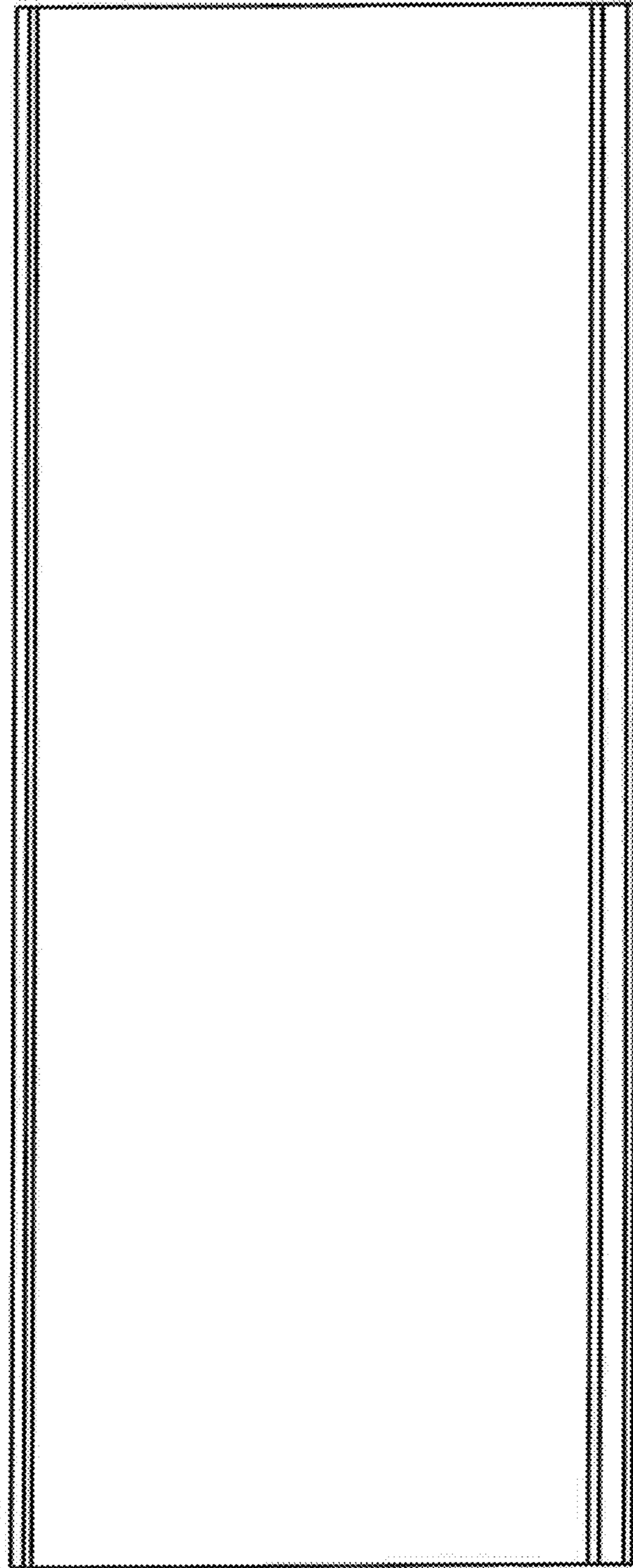


Fig. 6

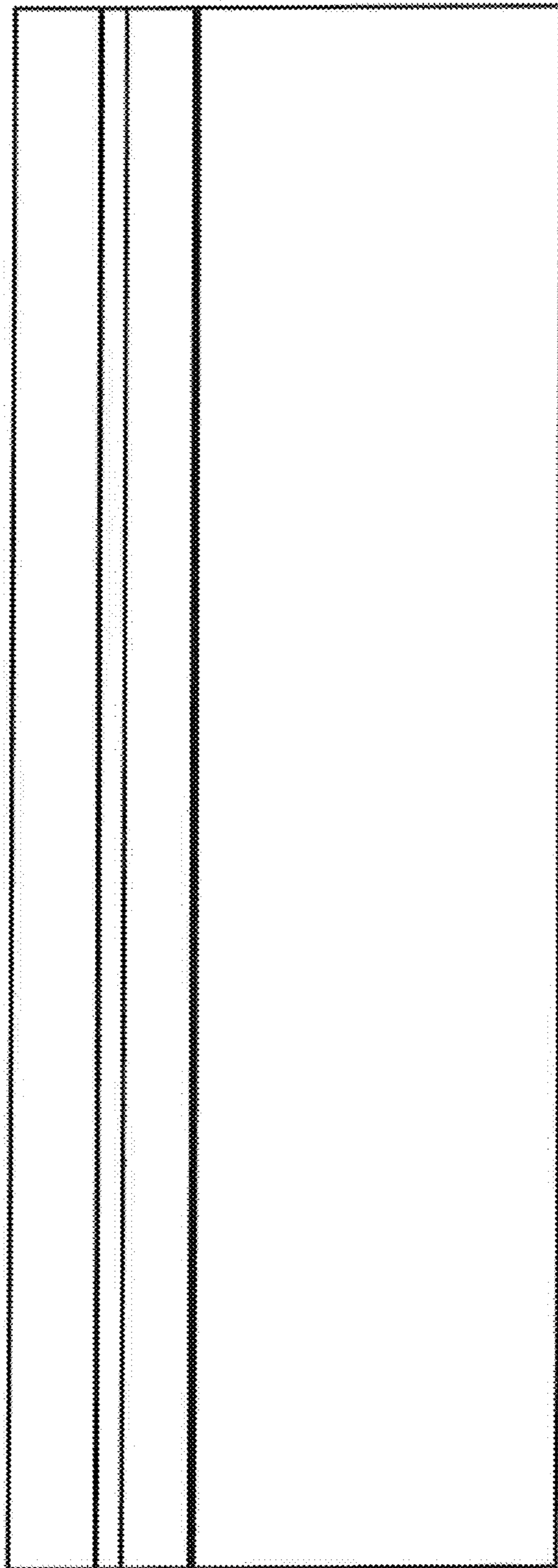


Fig. 7

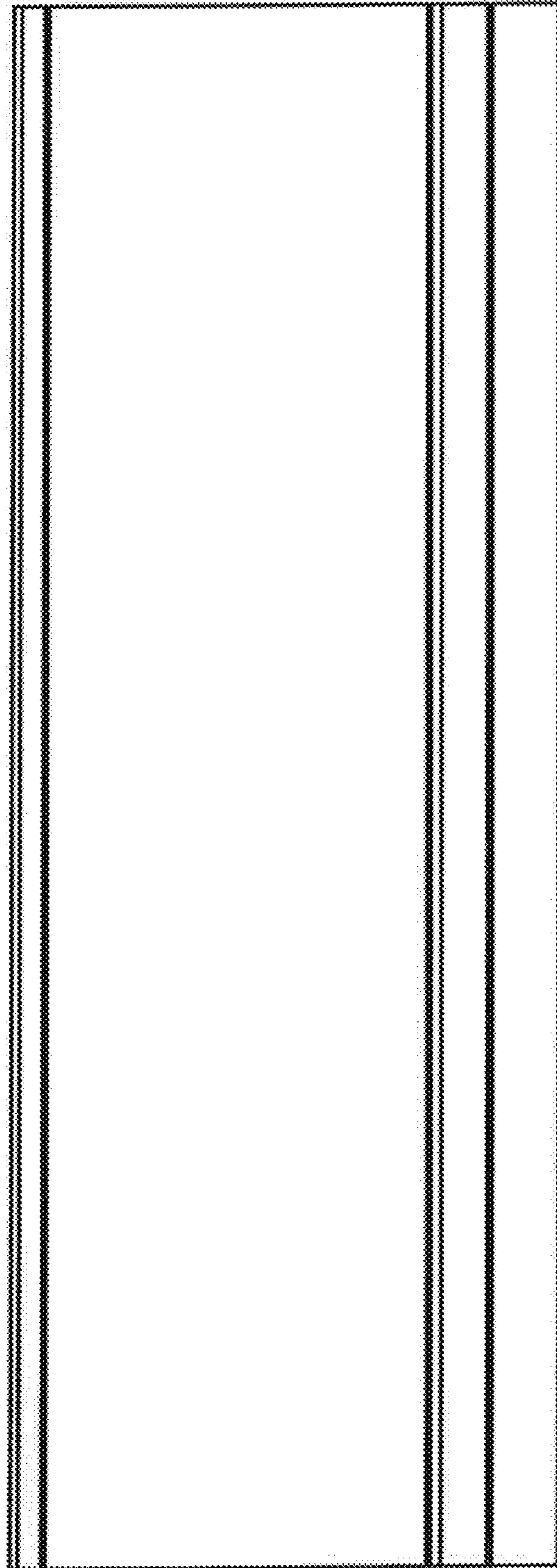


Fig 8