



US00D680355S

(12) **United States Design Patent**
Lai

(10) **Patent No.:** **US D680,355 S**

(45) **Date of Patent:** **** Apr. 23, 2013**

(54) **TOILET BRUSH HOLDER**

(56) **References Cited**

(71) Applicant: **Fung Tsai Enterprise Co., Ltd.**,
Changhua Hsien (TW)

(72) Inventor: **Jung-Tan Lai**, Changhua Hsien (TW)

(73) Assignee: **Fung Tsai Enterprise Co., Ltd.**,
Changhua Hsien (TW)

(**) Term: **14 Years**

(21) Appl. No.: **29/433,318**

(22) Filed: **Sep. 28, 2012**

(51) **LOC (9) Cl.** **06-04**

(52) **U.S. Cl.**
USPC **D6/551; D6/524**

(58) **Field of Classification Search** D6/524,
D6/525, 551; 206/207, 349, 361; 312/206,
312/207; 4/255.05, 255.11

See application file for complete search history.

U.S. PATENT DOCUMENTS

D467,113 S *	12/2002	Lin	D6/551
D471,393 S *	3/2003	Hutchinson	D6/551
D576,801 S *	9/2008	Dretzka	D6/551
D586,166 S *	2/2009	Hayes	D6/551
D589,734 S *	4/2009	Weis et al.	D6/551
D621,190 S *	8/2010	Yoo et al.	D6/551

* cited by examiner

Primary Examiner — Brian N Vinson

(74) *Attorney, Agent, or Firm* — Leong C. Lei

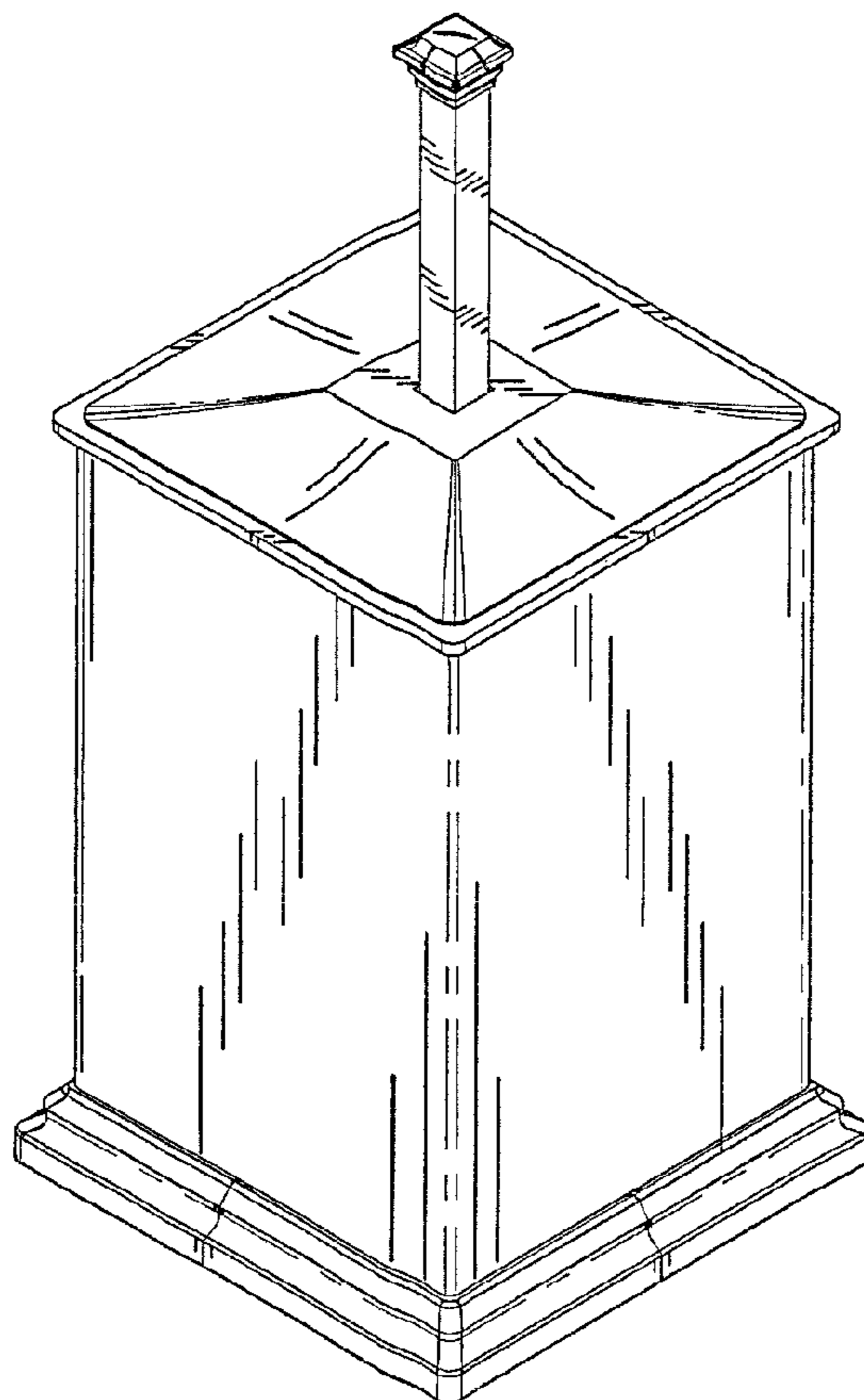
(57) **CLAIM**

The ornamental design for a toilet brush holder, as shown and described.

DESCRIPTION

FIG. 1 is a front perspective view of a toilet brush holder showing my new design;
FIG. 2 is a front elevational view thereof;
FIG. 3 is a rear elevational view thereof;
FIG. 4 is a left elevational view thereof;
FIG. 5 is a right elevational view thereof;
FIG. 6 is a top plan view thereof; and,
FIG. 7 is a bottom plan view thereof.

1 Claim, 4 Drawing Sheets



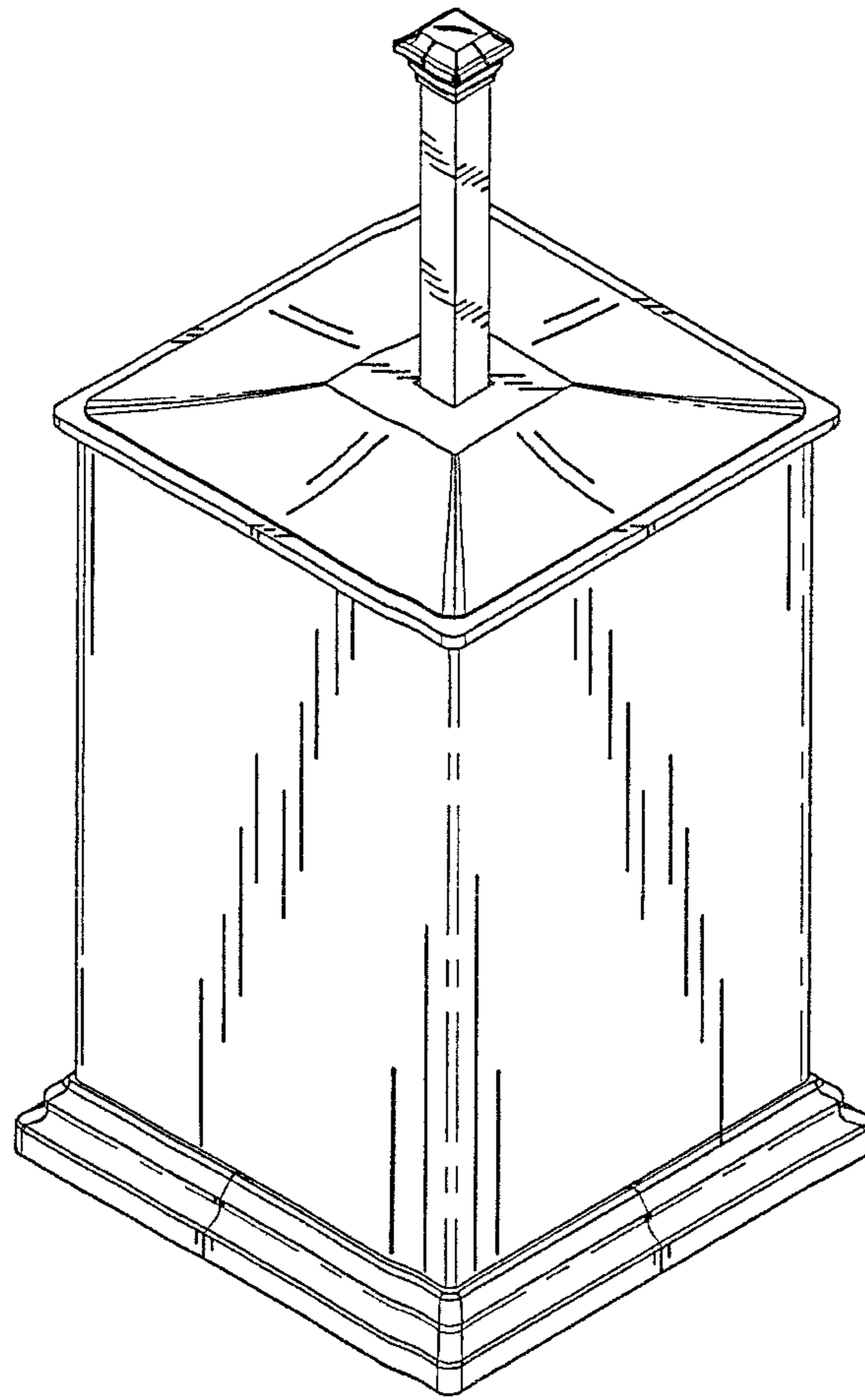


FIG.1

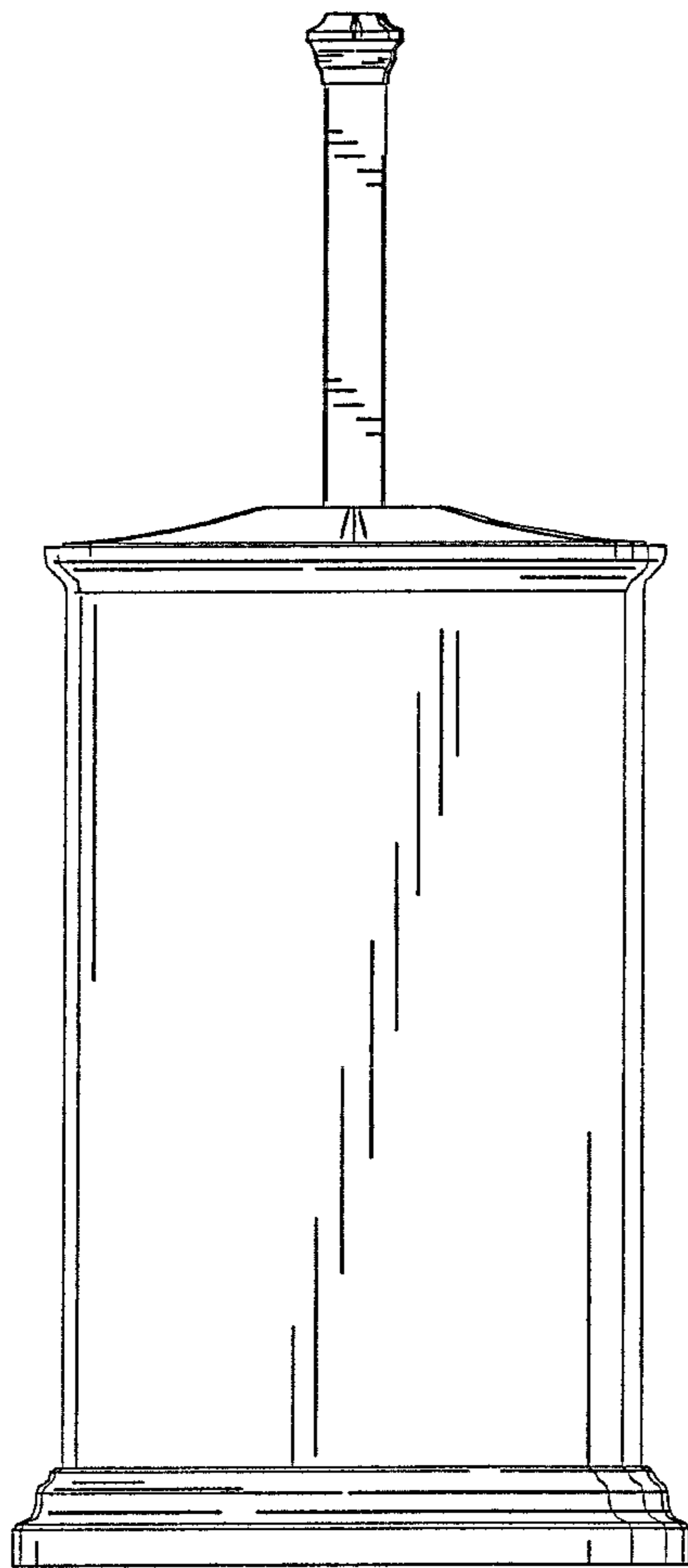


FIG. 2

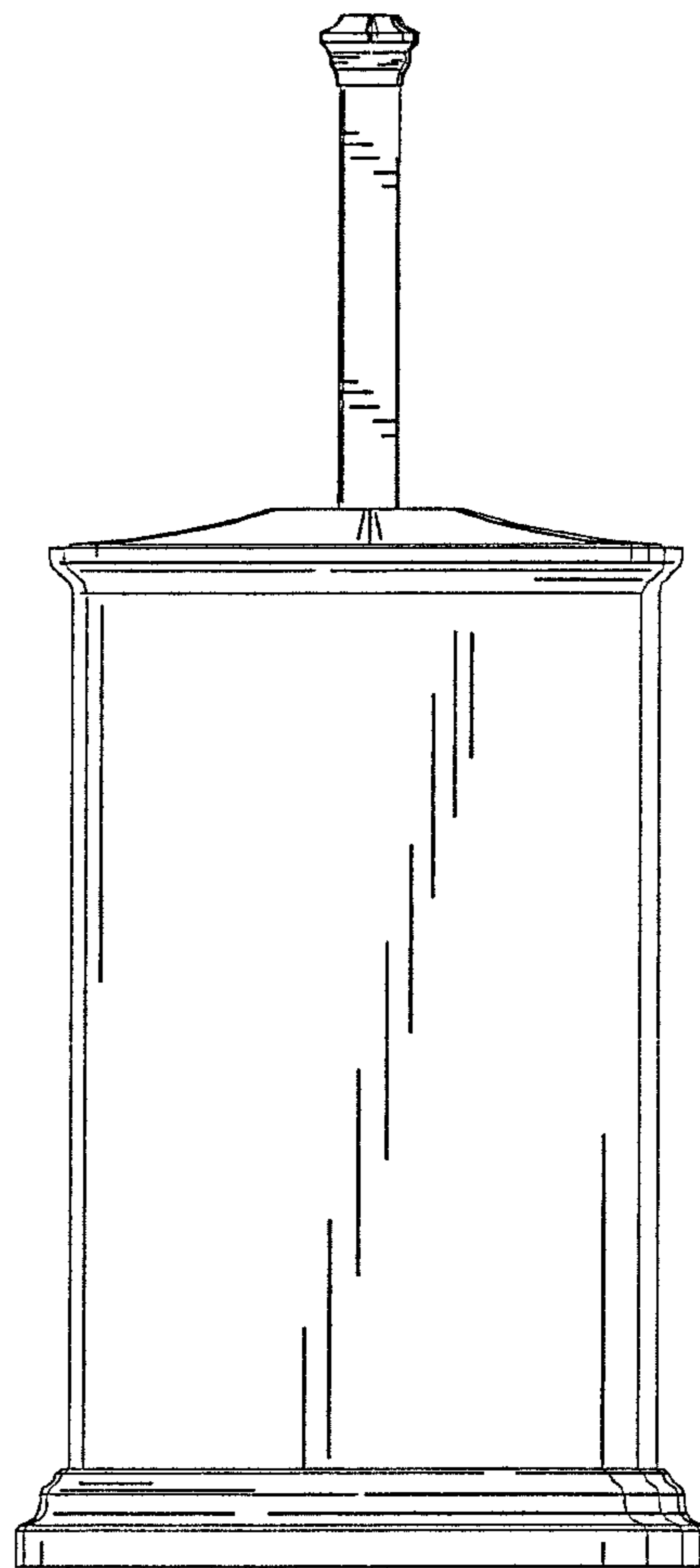


FIG. 3

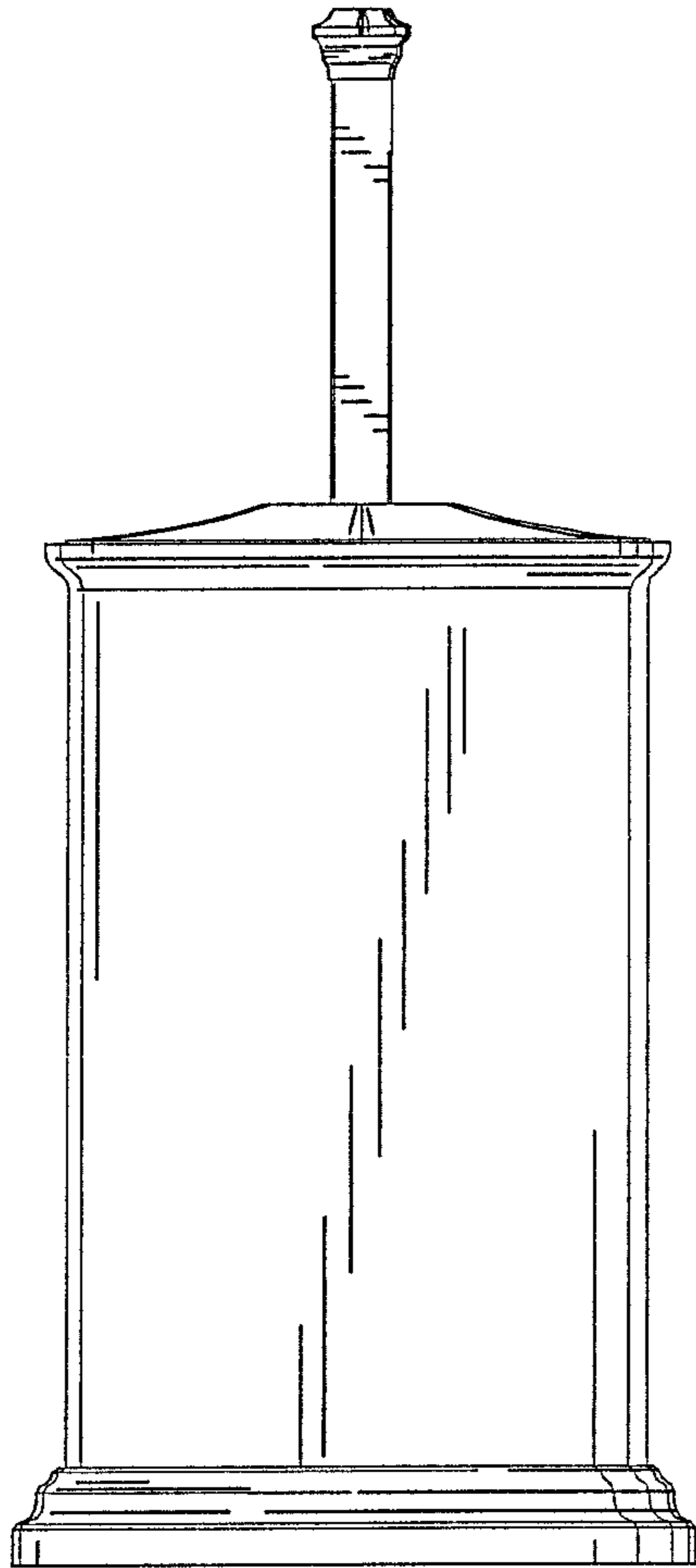


FIG.4

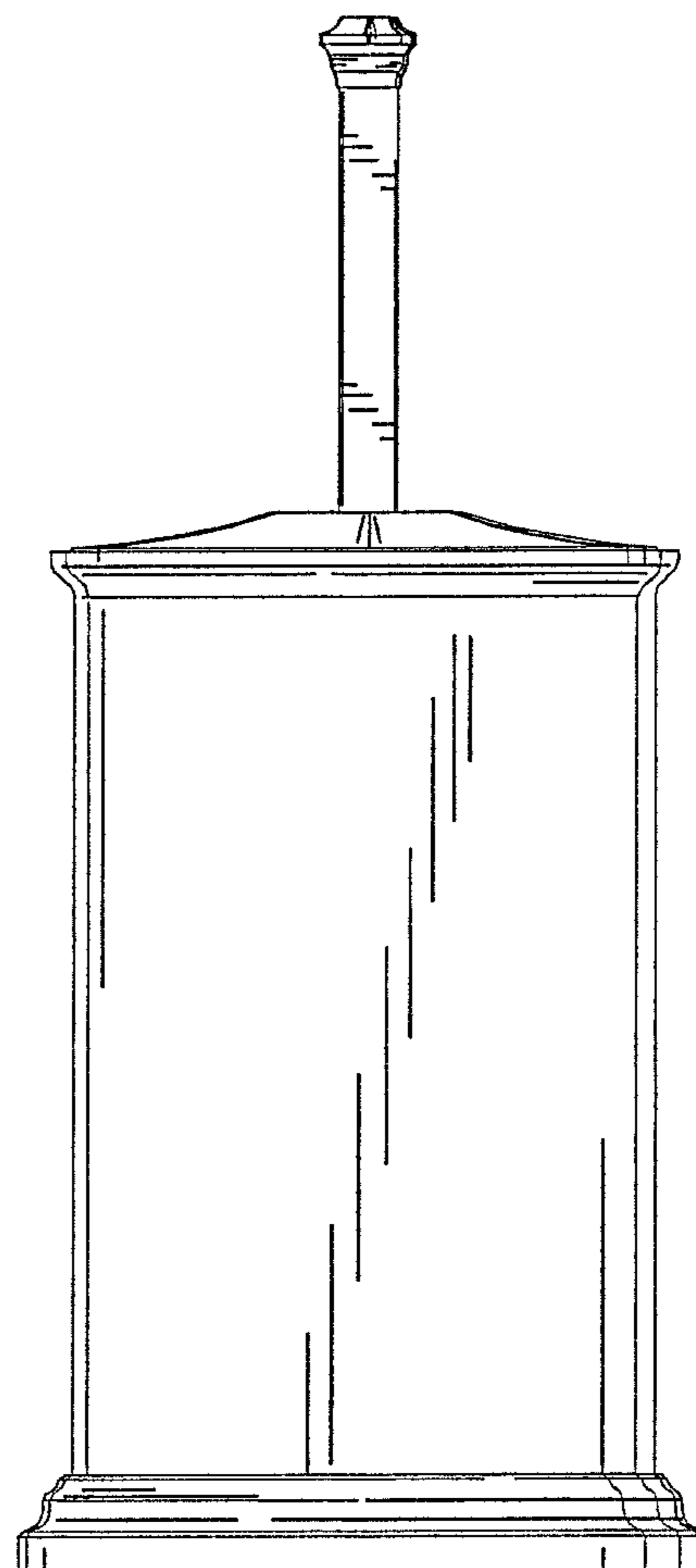


FIG.5

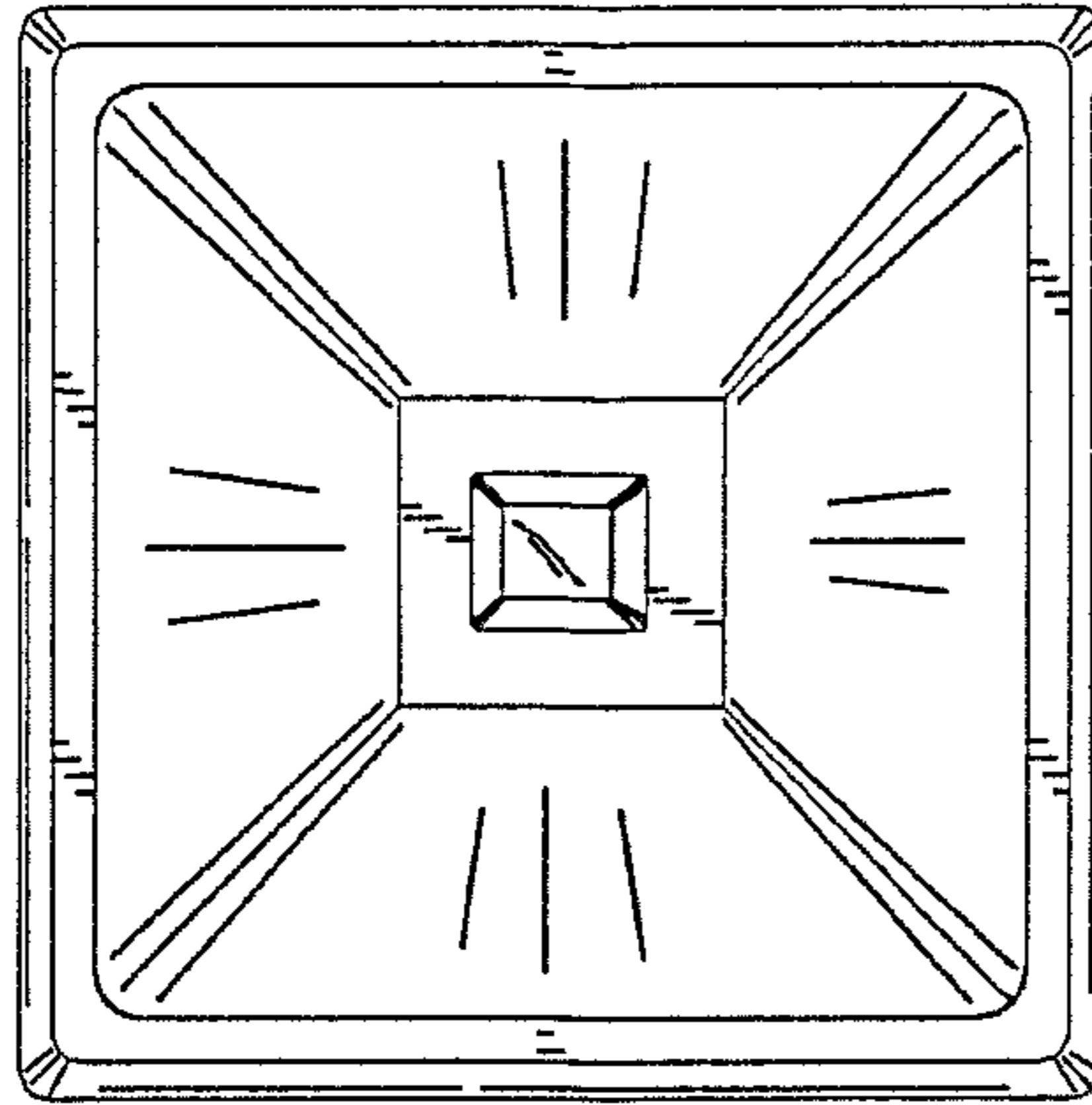


FIG. 6

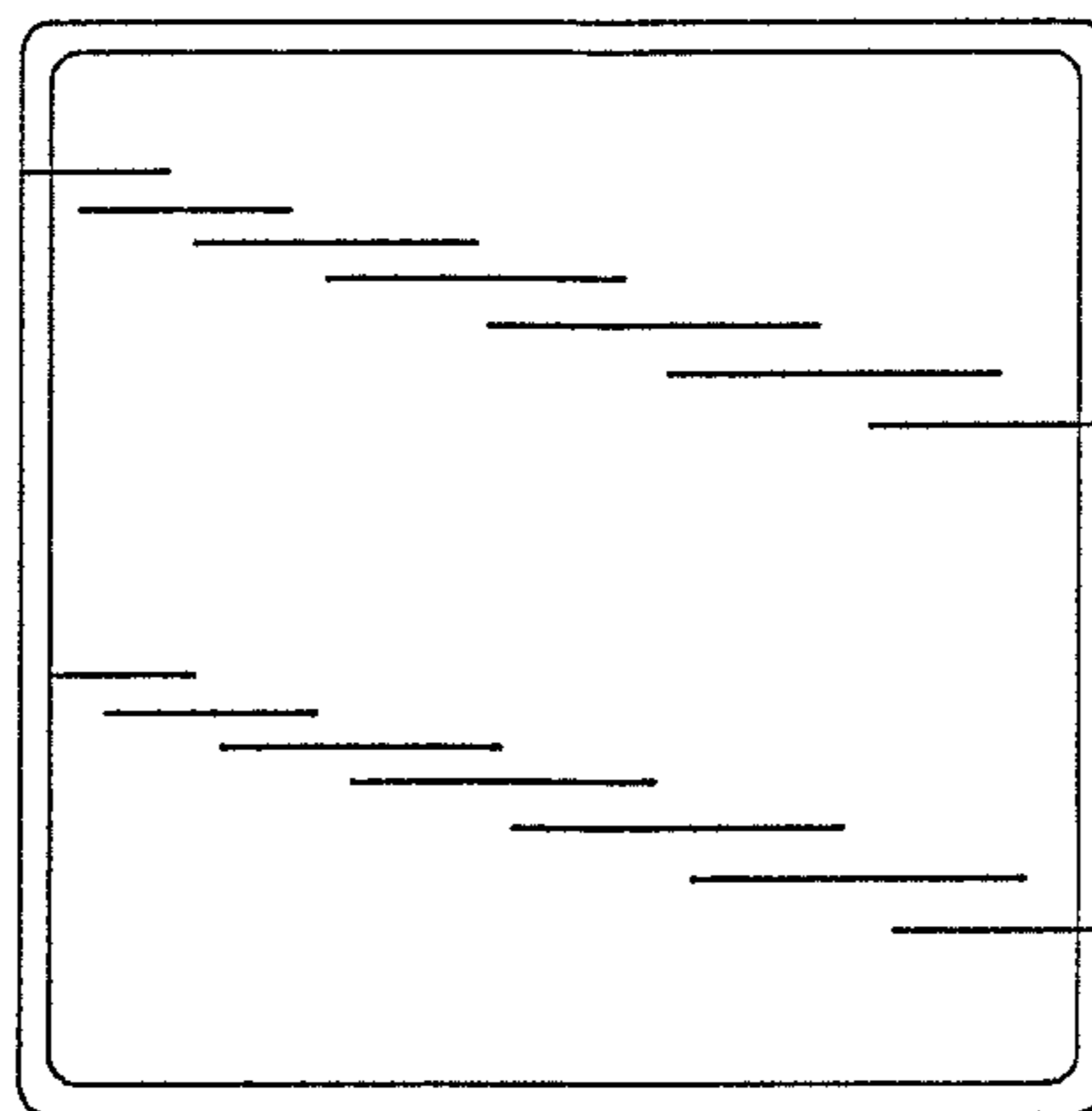


FIG. 7