



US00D680354S

(12) **United States Design Patent**
Gasser

(10) **Patent No.:** **US D680,354 S**
(45) **Date of Patent:** **** Apr. 23, 2013**

- (54) **FINGER GRIP FOR FURNITURE**
- (75) Inventor: **Gregory L. Gasser**, Girard, OH (US)
- (73) Assignee: **Gasser Chair Company, Inc.**,
Youngstown, OH (US)
- (**) Term: **14 Years**
- (21) Appl. No.: **29/424,086**
- (22) Filed: **Jun. 7, 2012**

- D319,773 S 9/1991 Magnin et al.
- 5,451,092 A 9/1995 Gray
- D364,744 S 12/1995 Hutton
- 5,507,559 A 4/1996 Lance
- D384,570 S 10/1997 Edwards
- D384,571 S * 10/1997 Edwards D8/307
- D390,370 S 2/1998 Grosfillex
- D395,456 S 6/1998 Ito et al.
- D410,151 S 5/1999 Chu
- D411,793 S 7/1999 O'Neil
- D414,100 S 9/1999 O'Neil
- D416,465 S 11/1999 O'Neil
- D421,187 S 2/2000 Kaiser
- D422,158 S 4/2000 Newhouse
- 6,089,666 A 7/2000 Rosko
- D430,762 S 9/2000 Laufer et al.
- 6,113,189 A 9/2000 Bennett et al.
- 6,116,695 A 9/2000 Heidmann et al.

Related U.S. Application Data

- (62) Division of application No. 29/392,490, filed on May 23, 2011.
- (51) **LOC (9) Cl.** **06-01**
- (52) **U.S. Cl.**
USPC **D6/500**
- (58) **Field of Classification Search** D6/334-336,
D6/366-368, 374, 379-380, 491-492, 500-502;
D3/307-308, 315-317, 321-322; 297/183.1,
297/183.7, 301.1, 353
See application file for complete search history.

(Continued)

Primary Examiner — Kelley Donnelly

(74) *Attorney, Agent, or Firm* — Lerner, David, Littenberg,
Krumholz & Mentlik, LLP

(57) **CLAIM**

I claim the ornamental design for a finger grip for furniture, as shown and described.

DESCRIPTION

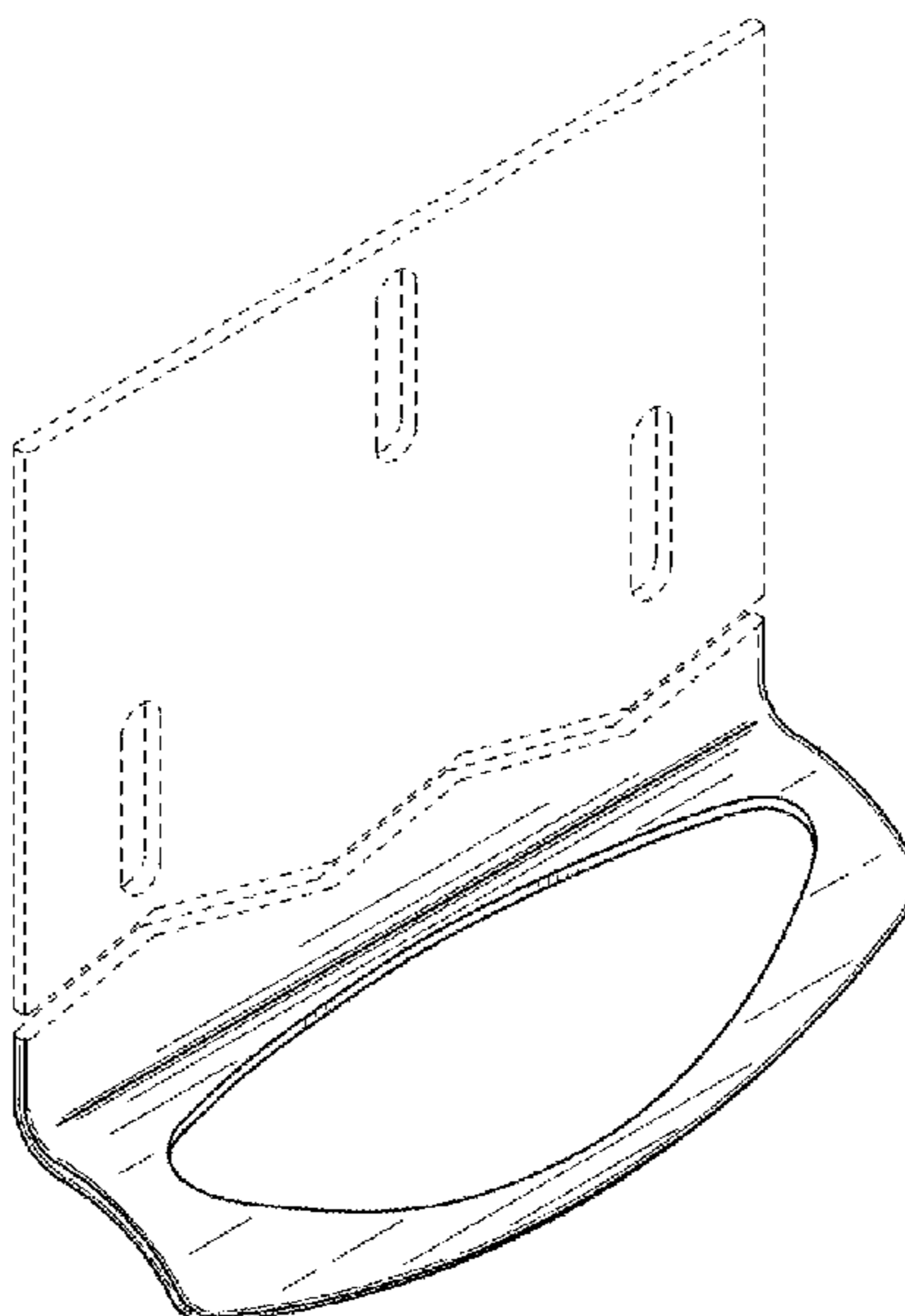
FIG. 1 is a top perspective view of a finger grip for furniture showing my new design;
 FIG. 2 is a front view thereof;
 FIG. 3 is a back view thereof;
 FIG. 4 is a left side view thereof, the right side being a mirror image;
 FIG. 5 is a top plan view thereof; and,
 FIG. 6 is a bottom plan view thereof.
 The broken lines showing in FIGS. 1 through 5 are for the purpose of illustrating the environment of the design and form no part of the claimed design.

1 Claim, 3 Drawing Sheets

(56) **References Cited**

U.S. PATENT DOCUMENTS

- 648,927 A 5/1900 Davis
- 1,118,530 A 11/1914 Olay
- 1,928,939 A 10/1933 Larsen
- 1,988,638 A 1/1935 Van Deest
- 2,021,120 A 11/1935 Wilkins
- 2,675,060 A 4/1954 Strand
- 2,808,875 A 10/1957 Bargaen
- D206,713 S 1/1967 Durko
- D279,152 S 6/1985 Murry
- D279,443 S 7/1985 Diffrient
- D297,808 S 9/1988 King
- D315,836 S 4/1991 Kaiser
- 5,040,848 A 8/1991 Irie et al.



US D680,354 S

Page 2

U.S. PATENT DOCUMENTS			
6,126,235	A	10/2000	Grove
6,131,993	A	10/2000	Pesta et al.
D474,358	S	5/2003	Kita
D493,687	S *	8/2004	Ayrest D8/314
D501,785	S	2/2005	Mogus et al.
D502,013	S	2/2005	Kaiser
7,040,711	B2	5/2006	DeKraker et al.
D522,776	S	6/2006	Williams et al.
D529,735	S	10/2006	Chen
D579,308	S	10/2008	Matijevic
D580,256	S *	11/2008	Miska D8/314
D580,734	S *	11/2008	Martin D8/307
D584,128	S	1/2009	Ricereto
7,488,034	B2	2/2009	Ohren et al.
D589,325	S	3/2009	Mattson et al.
D590,233	S	4/2009	Matijevic
D595,560	S *	7/2009	Miska D8/314
D597,394	S	8/2009	Menzies
D597,819	S	8/2009	Matijevic
7,571,960	B2	8/2009	Williams et al.
D618,005	S	6/2010	Heltemes et al.
7,891,617	B2	2/2011	Tisbo
D642,395	S	8/2011	Bladh et al.
D646,091	S	10/2011	Welsh
D649,267	S	11/2011	Apgood, II et al.
D649,858	S	12/2011	Hall
D657,155	S	4/2012	Grandin et al.
D662,604	S *	6/2012	Pittman D24/227
2004/0261226	A1 *	12/2004	Moody 16/413
2005/0104421	A1	5/2005	Astle et al.
2005/0189798	A1	9/2005	Strong
2008/0157570	A1	7/2008	Williams et al.
2009/0045656	A1	2/2009	Chen et al.
2009/0145867	A1	6/2009	Apgood, II et al.

* cited by examiner

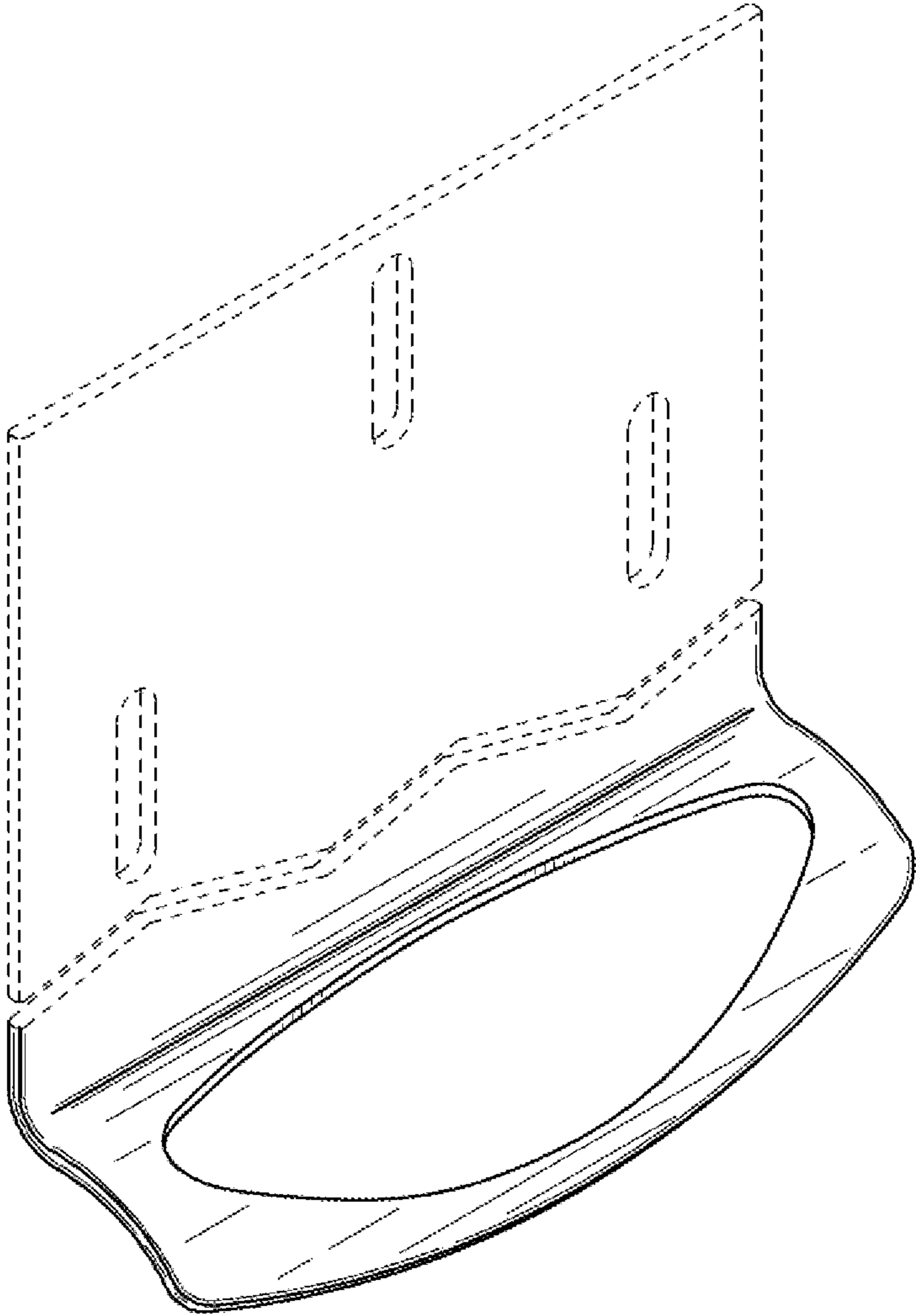


FIG. 1

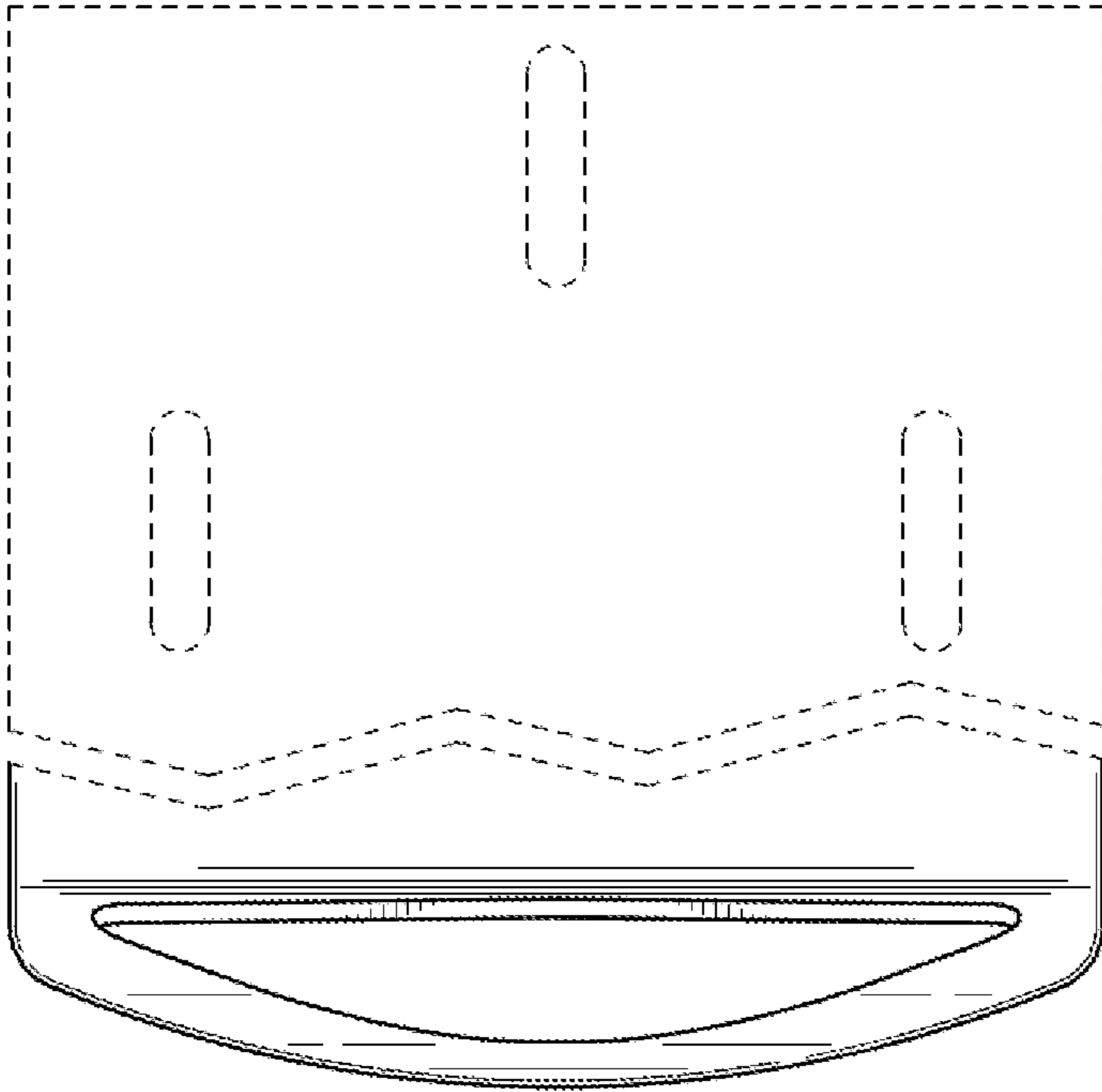


FIG. 2

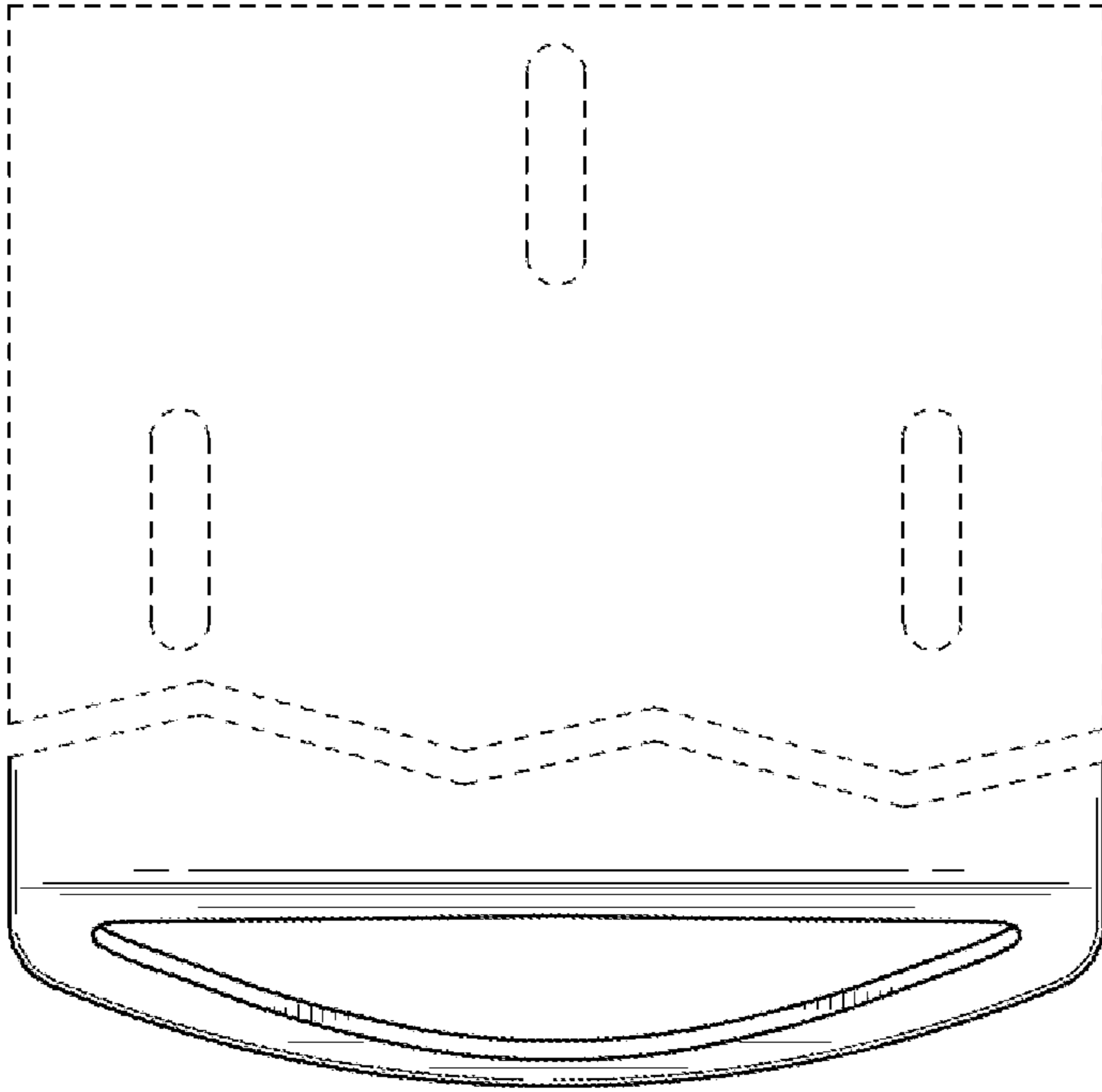


FIG. 3



FIG. 4

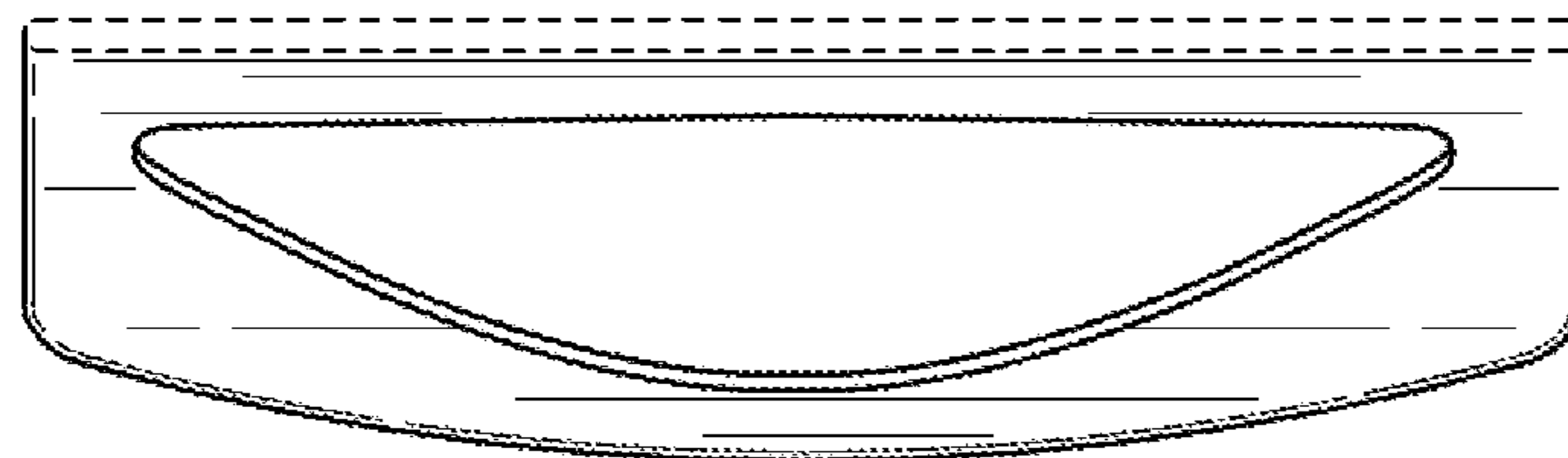


FIG. 5

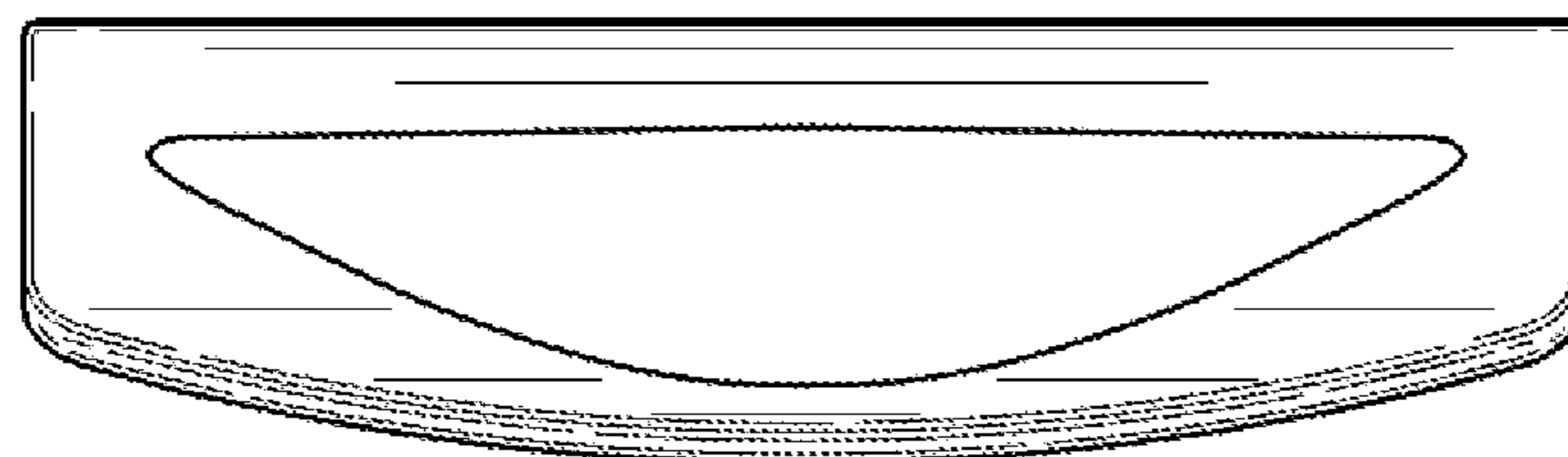


FIG. 6