



US00D680352S

(12) **United States Design Patent**
Aiudi et al.

(10) **Patent No.:** **US D680,352 S**

(45) **Date of Patent:** **** Apr. 23, 2013**

- (54) **RACK FOR HOLDING BAGELS**
- (76) Inventors: **Alan P. Aiudi**, New Britain, CT (US);
Aerynne J. Aiudi, New Britain, CT (US)
- (**) Term: **14 Years**
- (21) Appl. No.: **29/428,444**
- (22) Filed: **Jul. 31, 2012**
- (51) **LOC (9) Cl.** **06-06**
- (52) **U.S. Cl.**
USPC **D6/467**
- (58) **Field of Classification Search** D6/466-469,
D6/449-451; D3/25; D32/58; D7/553.2-553.4,
D7/558-559, 701-702, 601-602; 211/13.1,
211/59.1, 71.01, 85.18, 85.4, 85.5
See application file for complete search history.

5,511,673	A *	4/1996	Folk	211/70.6
D373,867	S *	9/1996	Rask	D32/58
D378,252	S *	3/1997	Smith	D6/320
D383,647	S	9/1997	Parker		
D396,363	S *	7/1998	Skrum	D6/469
5,813,550	A *	9/1998	Sheehan et al.	211/87.01
D401,066	S	11/1998	Ackermann		
6,394,274	B1	5/2002	Cheeseman		
D460,295	S *	7/2002	Fissell et al.	D6/467
D554,188	S *	10/2007	Bonaventura	D19/90
D563,619	S *	3/2008	Palese et al.	D32/58
D637,815	S *	5/2011	Hsieh	D3/313
D648,091	S *	11/2011	Southwick	D32/58
D665,549	S *	8/2012	Kropf et al.	D32/58

* cited by examiner

Primary Examiner — Kelley Donnelly

(57) **CLAIM**

The ornamental design for a rack for holding bagels, as shown and described.

DESCRIPTION

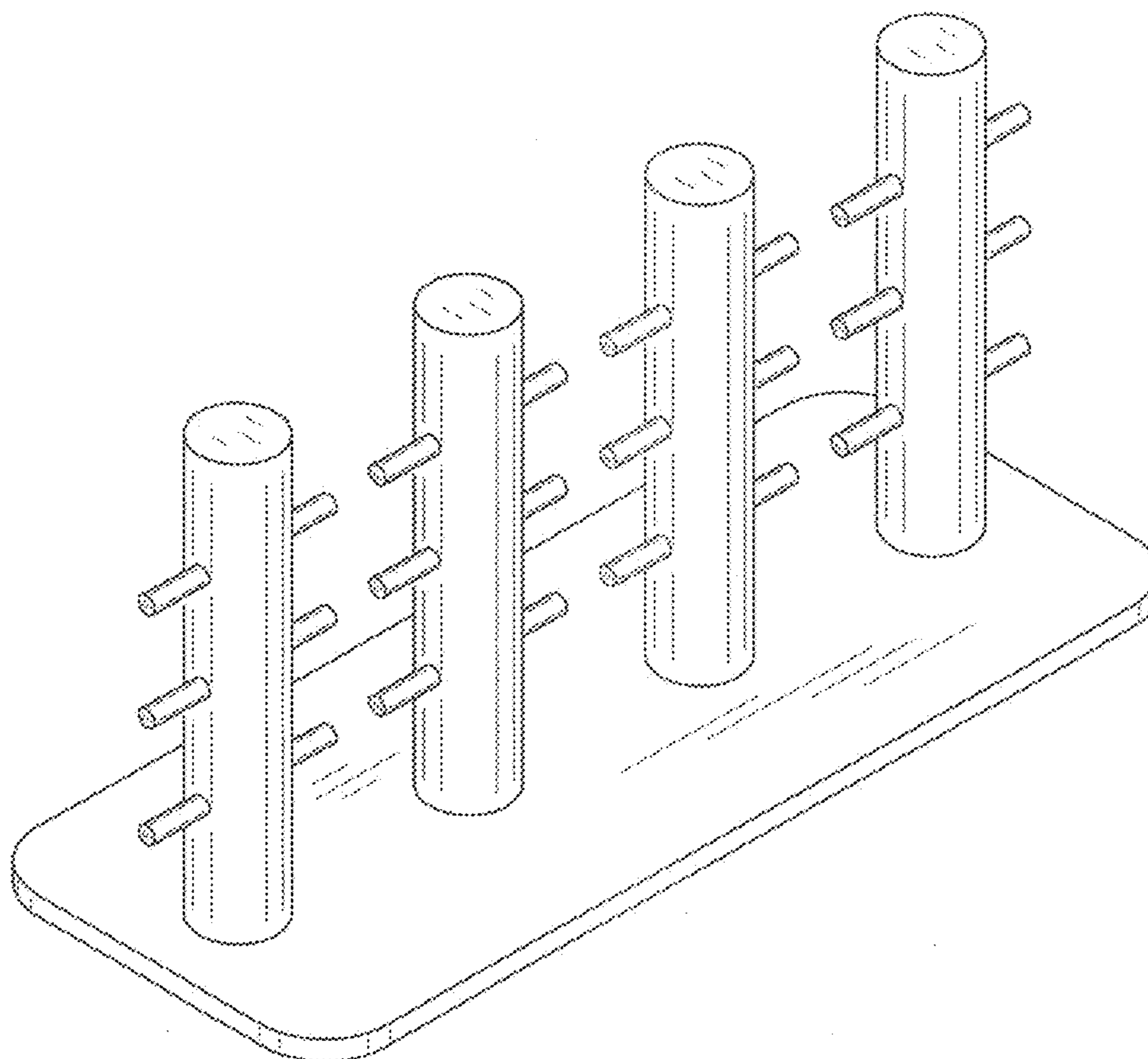
FIG. 1 is a perspective view of a rack for holding bagels showing my new design;
 FIG. 2 is a front view (back view is mirror image) thereof;
 FIG. 3 is a side view (opposite side view is mirror image) thereof;
 FIG. 4 is a top image view thereof; and,
 FIG. 5 is a bottom view thereof.

1 Claim, 3 Drawing Sheets

(56) **References Cited**

U.S. PATENT DOCUMENTS

3,939,980	A	2/1976	King		
3,939,981	A	2/1976	King		
4,000,817	A	1/1977	Sanders et al.		
4,015,712	A	4/1977	Wadensten		
D310,742	S *	9/1990	Johnson	D32/58
4,960,207	A	10/1990	Tabler et al.		
D333,559	S *	3/1993	Rowley	D3/25
5,499,724	A *	3/1996	Hickman	211/70.6



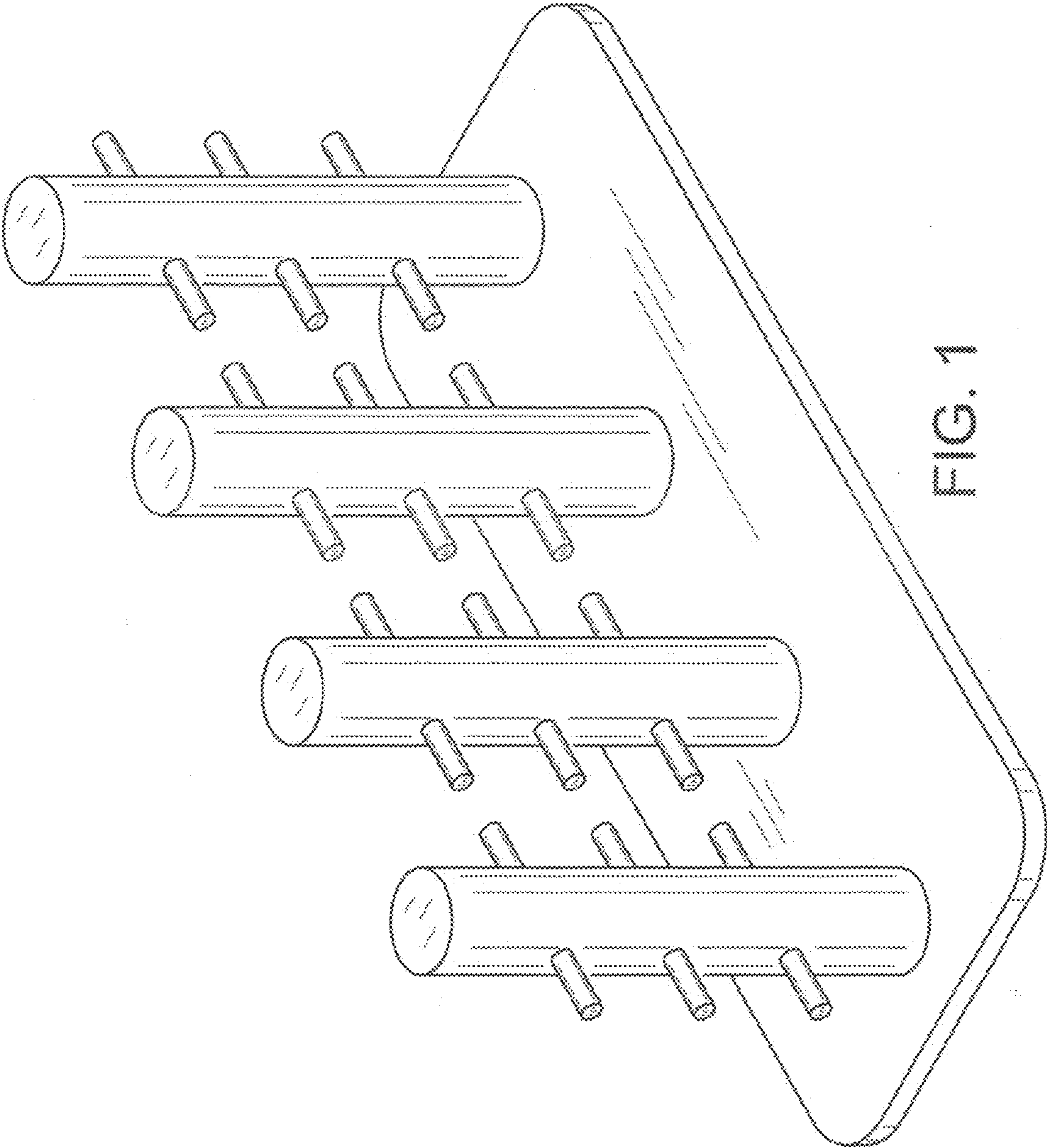


FIG. 1

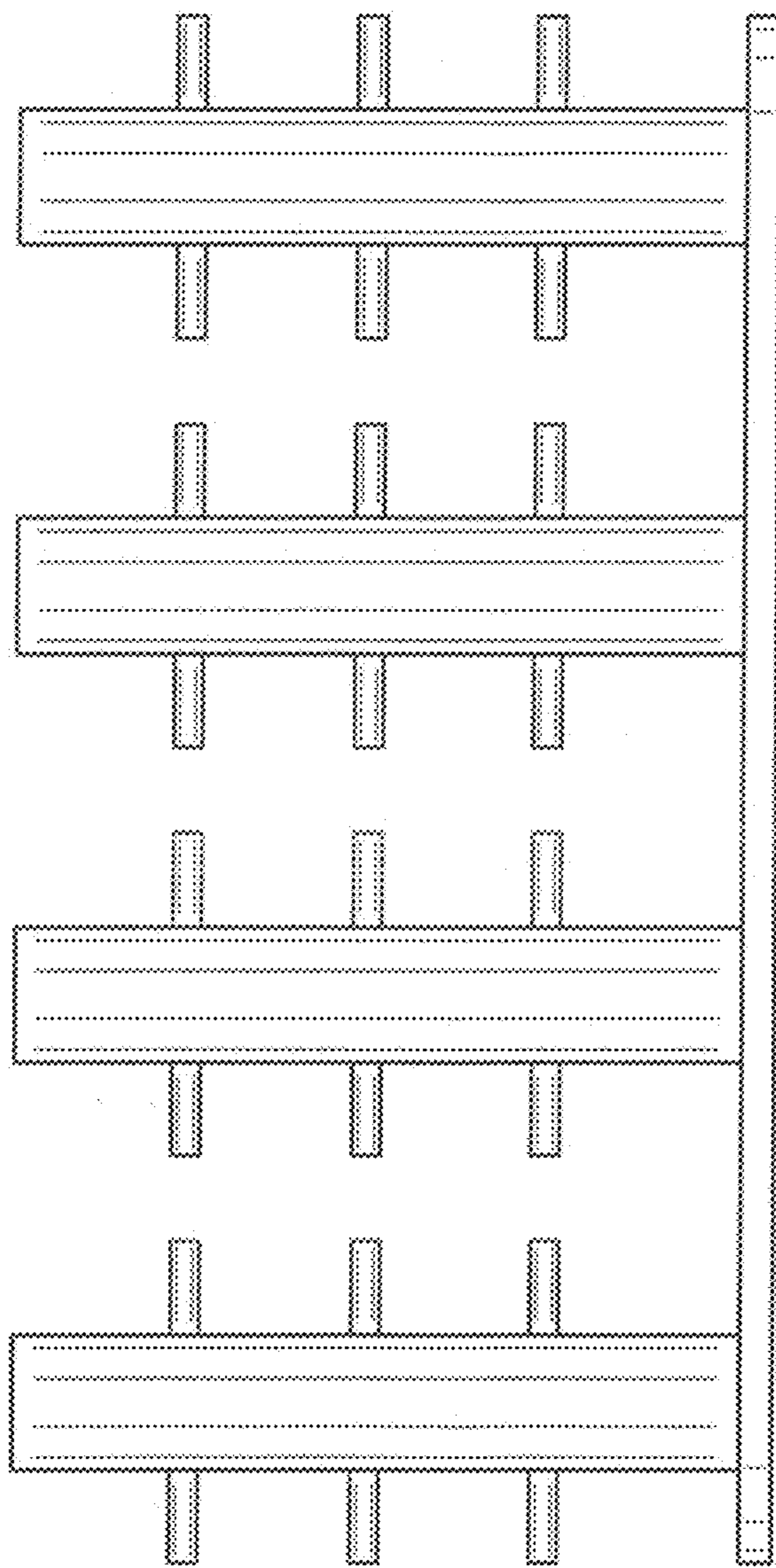


FIG. 2

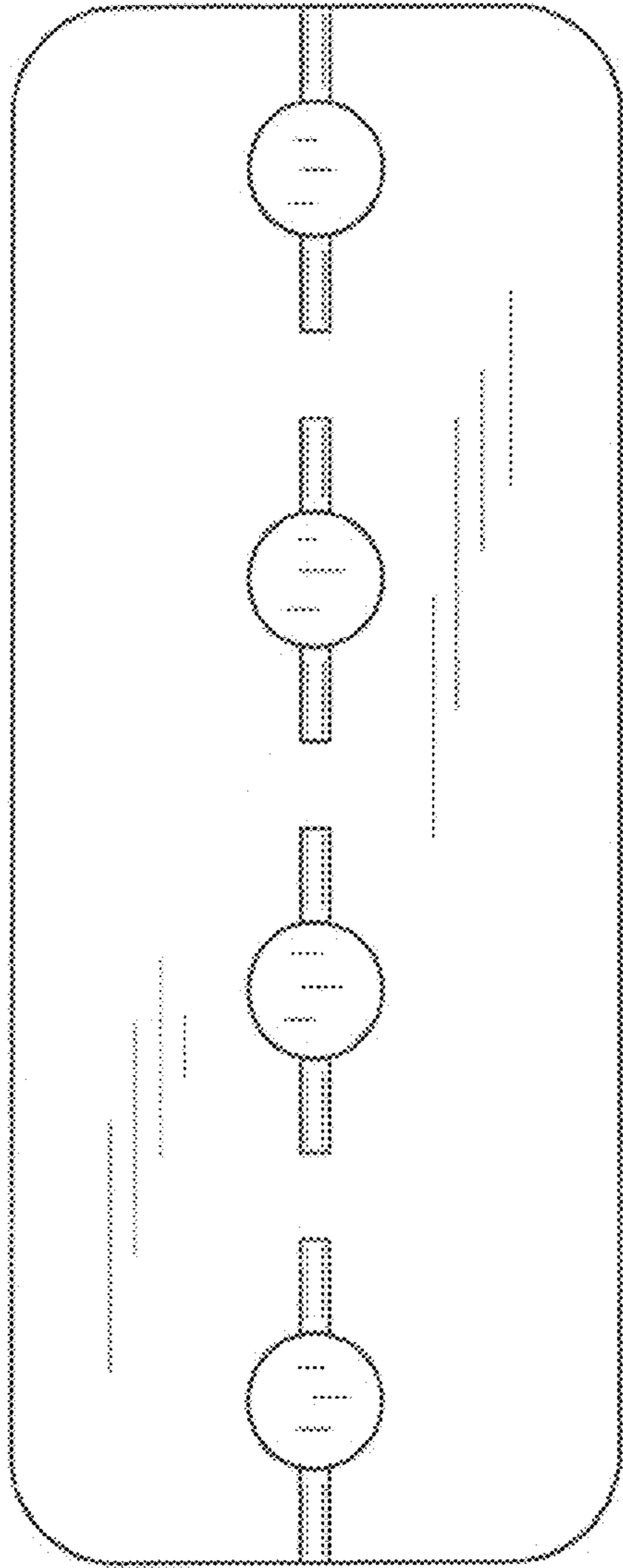


FIG. 4

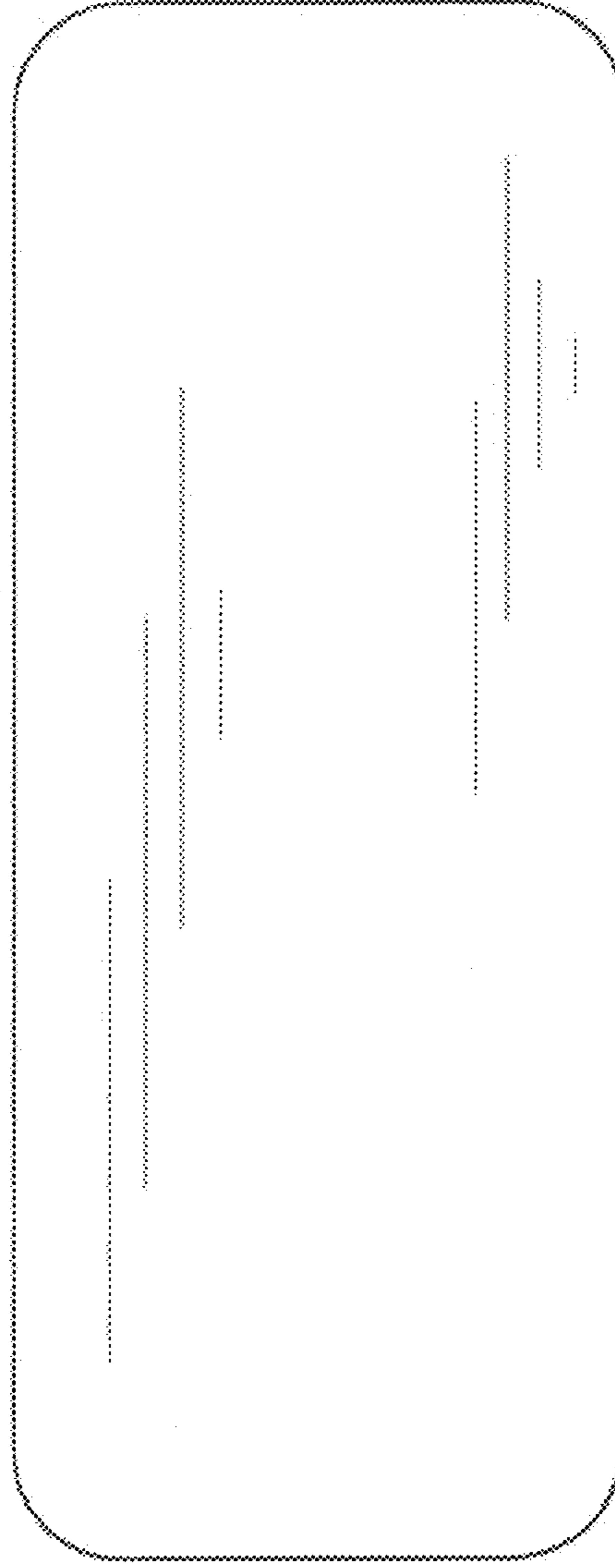


FIG. 5

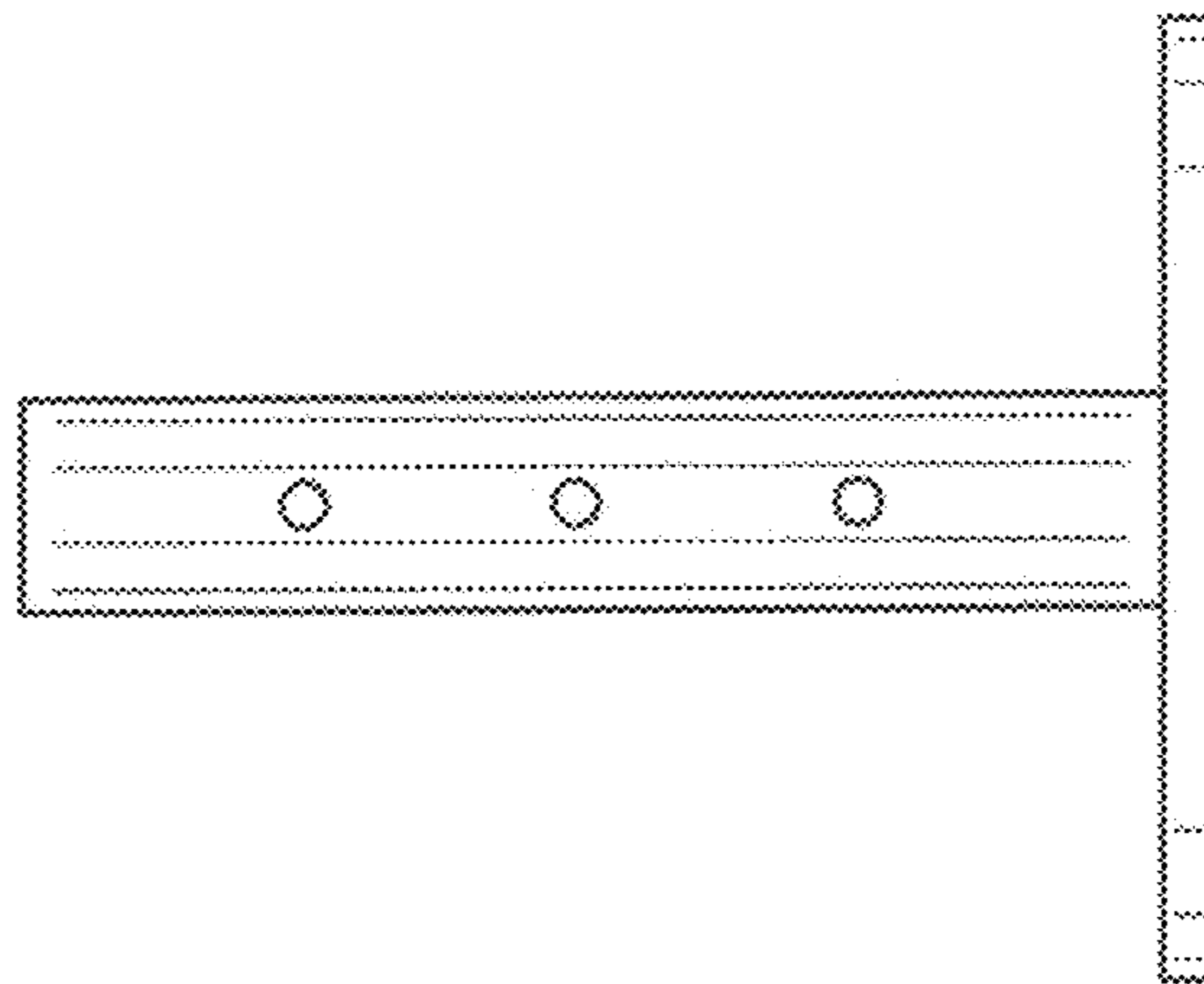


FIG. 3