



US00D680349S

(12) **United States Design Patent**
Johnson et al.

(10) **Patent No.:** **US D680,349 S**
(45) **Date of Patent:** **** Apr. 23, 2013**

(54) **HOTEL LOBBY COMPUTER STATION**

(75) Inventors: **Patrick Brian Johnson**, Atlanta, GA (US); **Louise Frazier Aiken-Johnson**, Atlanta, GA (US); **David Scott Heimbuch**, Decatur, GA (US); **Sangeetha Ramkumar**, Atlanta, GA (US)

(73) Assignee: **Six Continents Hotels, Inc.**, Atlanta, GA (US)

(**) Term: **14 Years**

(21) Appl. No.: **29/422,015**

(22) Filed: **May 15, 2012**

(51) **LOC (9) Cl.** **06-07**

(52) **U.S. Cl.**
USPC **D6/397**

(58) **Field of Classification Search** D6/426,
D6/427, 421, 430, 397, 425, 436, 402; 312/140.2,
312/140.1, 239, 278; 108/50.01

See application file for complete search history.

(56) **References Cited**

U.S. PATENT DOCUMENTS

D115,850 S	*	7/1939	Greenfield	D6/426
D250,237 S	*	11/1978	Hero et al.	D6/427
D330,124 S	*	10/1992	Short	D6/422
D330,641 S	*	11/1992	Zapf	D6/421

D334,483 S	*	4/1993	Johnson	D6/430
D354,408 S	*	1/1995	Kelley	D6/426
D362,761 S	*	10/1995	Hood	D6/397
5,607,214 A	*	3/1997	Pierce et al.	312/310
D391,415 S	*	3/1998	O'Sullivan et al.	D6/426
D392,813 S	*	3/1998	Welborn et al.	D6/426
5,738,422 A	*	4/1998	Welborn et al.	312/198
D407,916 S	*	4/1999	Zaidman et al.	D6/397
D410,349 S	*	6/1999	Kelley et al.	D6/425
6,158,831 A	*	12/2000	Brown et al.	312/258
D518,974 S	*	4/2006	Kelley et al.	D6/397
D572,500 S	*	7/2008	Franco	D6/426
D577,509 S	*	9/2008	Grabowski et al.	D6/426
D581,695 S	*	12/2008	Martin et al.	D6/430
D591,979 S	*	5/2009	Singler et al.	D6/449

* cited by examiner

Primary Examiner — Philip S Hyder

Assistant Examiner — Sydney Buffalow

(74) *Attorney, Agent, or Firm* — Kilpatrick Townsend & Stockton LLP

(57) **CLAIM**

The ornamental design for hotel lobby computer station, as shown and described.

DESCRIPTION

FIG. 1 is a perspective view of a hotel lobby computer station, showing our new design;

FIG. 2 is a right side elevational view thereof,

FIG. 3 is a front side elevational view thereof; and,

FIG. 4 is a top plan view thereof.

1 Claim, 4 Drawing Sheets

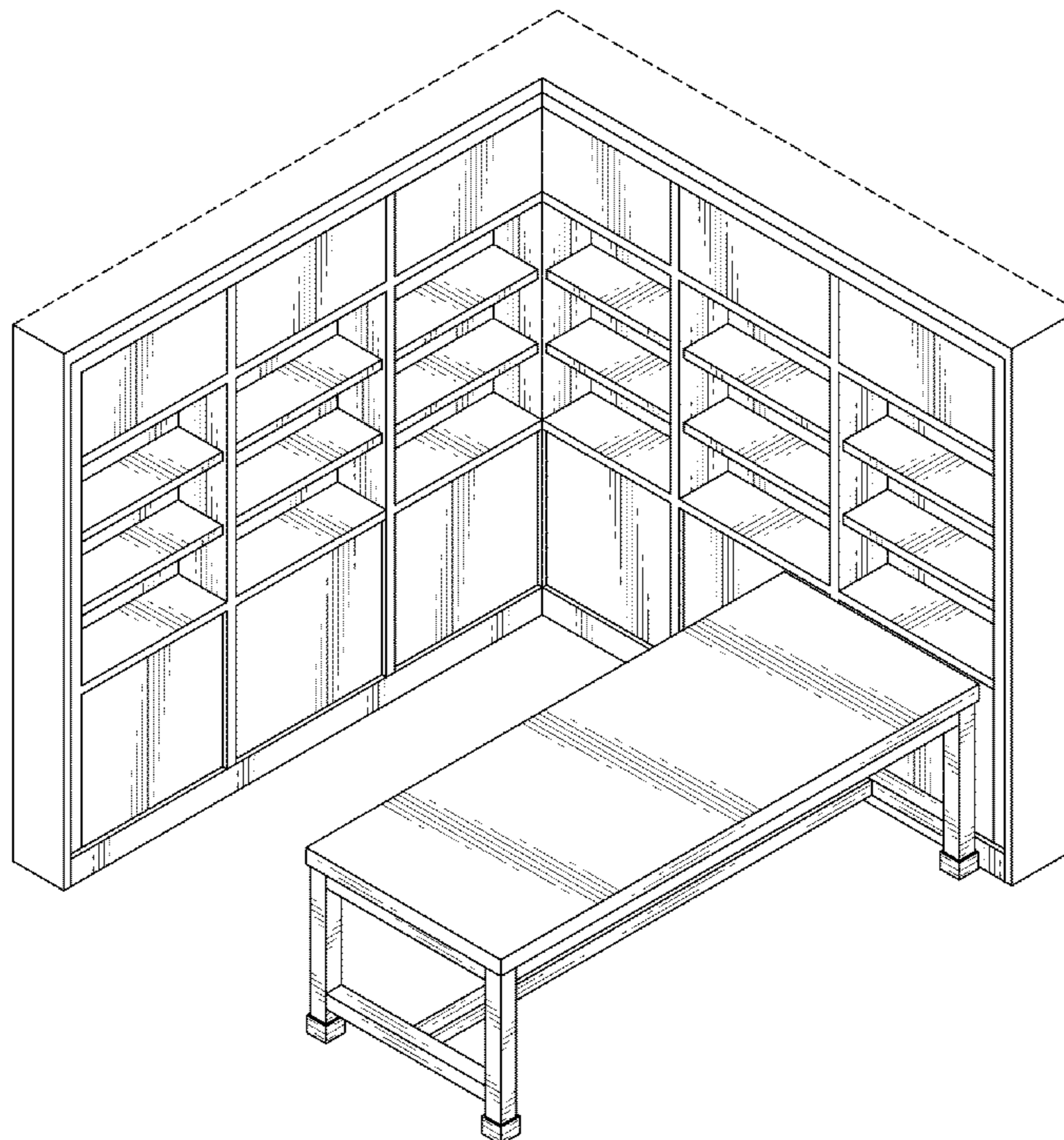


FIG. 1

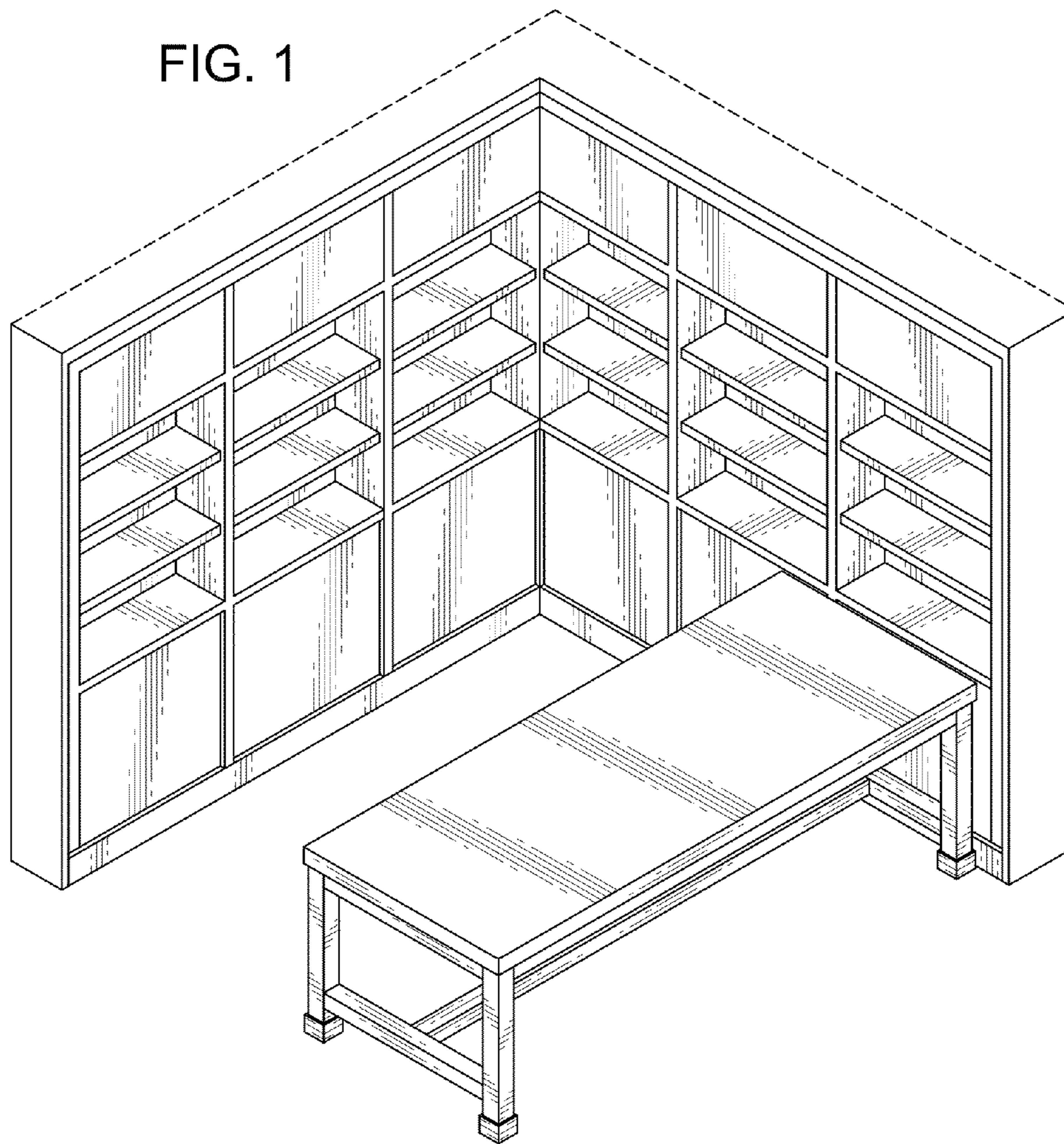


FIG. 2

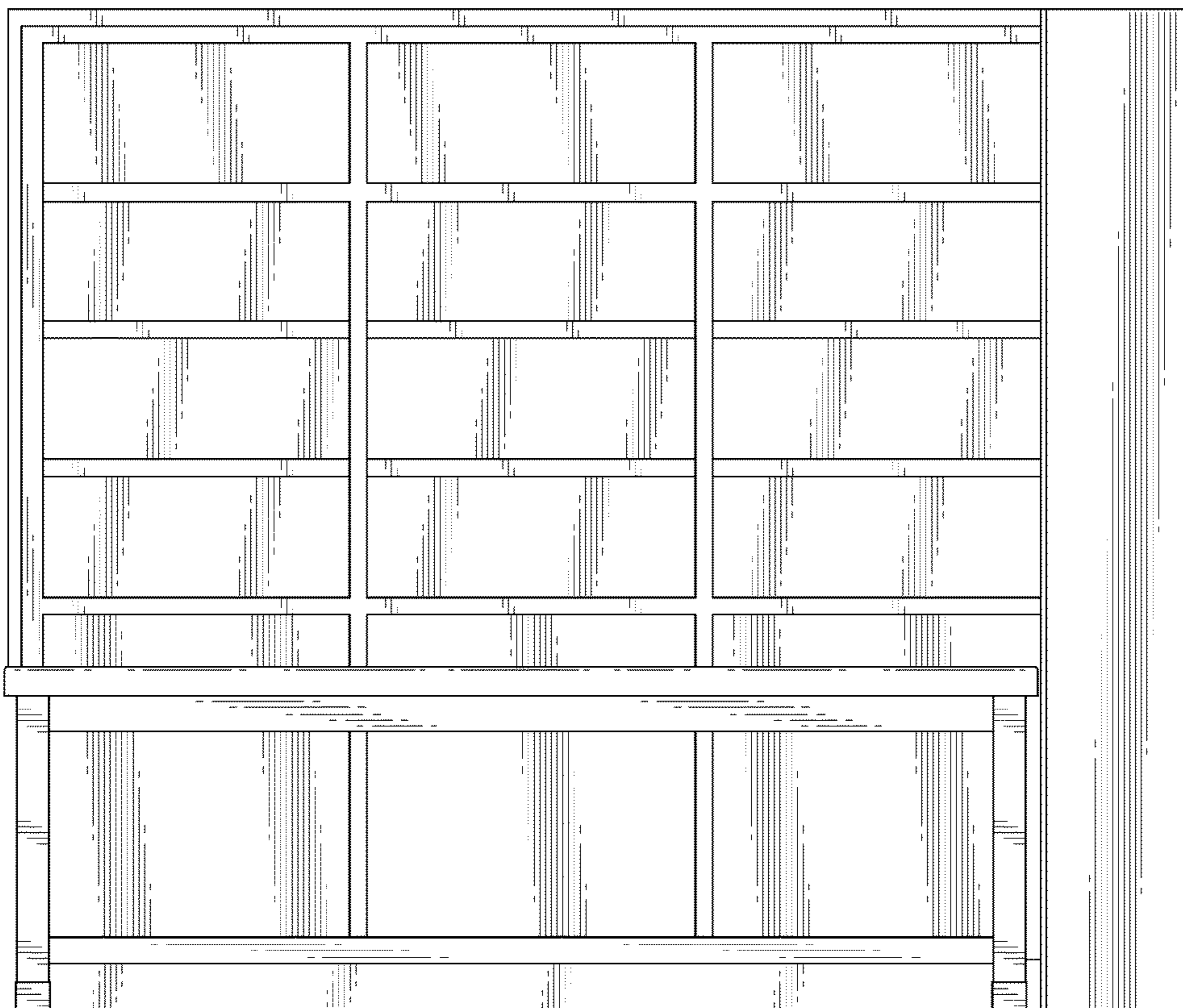


FIG. 3

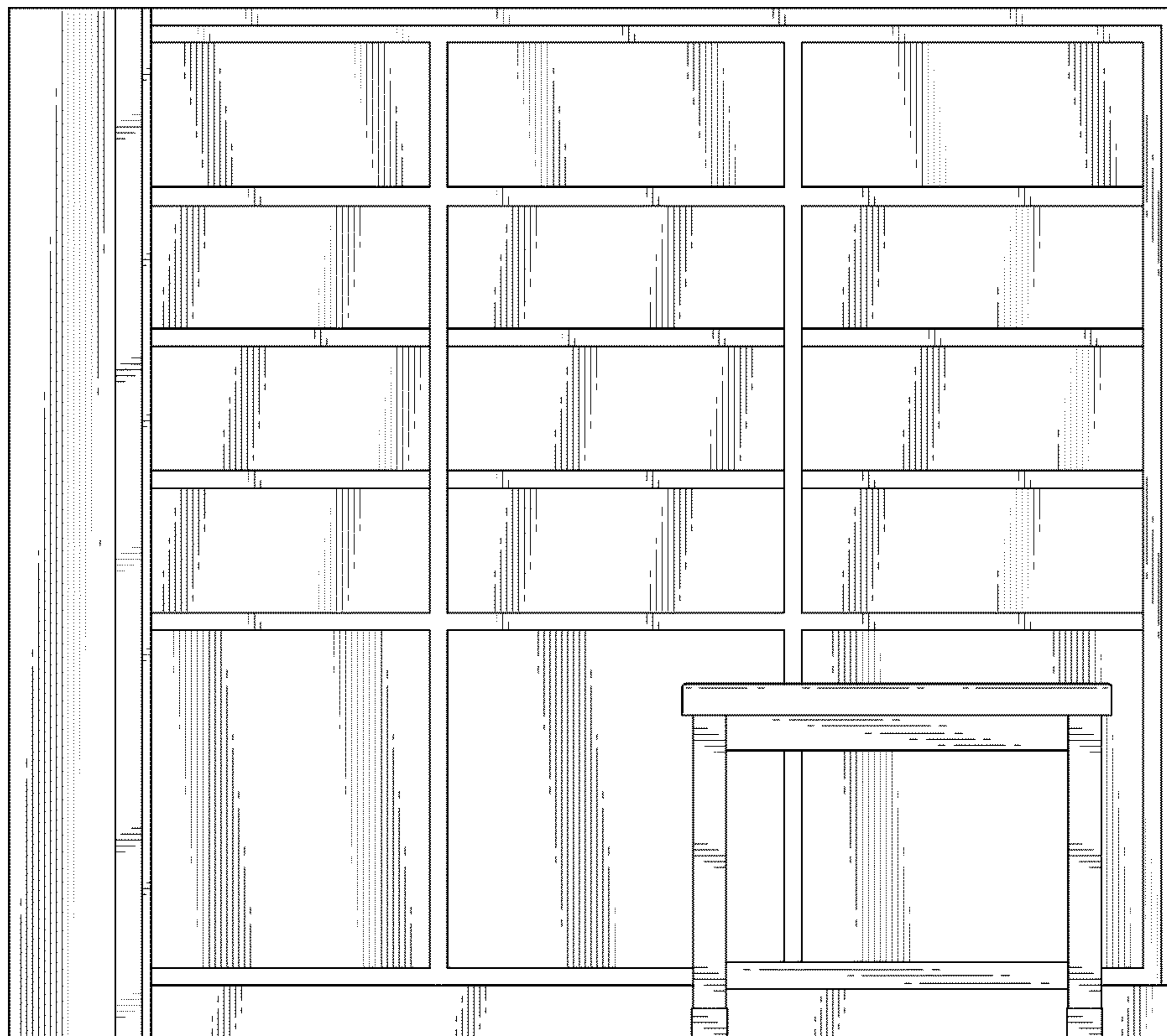


FIG. 4

