



US00D680345S

(12) **United States Design Patent**  
**Xingchang**

(10) **Patent No.:** **US D680,345 S**  
(45) **Date of Patent:** **\*\* Apr. 23, 2013**

(54) **CHAIR**

(76) Inventor: **Yang Xingchang**, Foshan (CN)

(\*\*) Term: **14 Years**

(21) Appl. No.: **29/420,280**

(22) Filed: **May 7, 2012**

(51) **LOC (9) Cl.** ..... **06-01**

(52) **U.S. Cl.**  
USPC ..... **D6/366**

(58) **Field of Classification Search** ..... D6/334–336,  
D6/364, 365, 366, 367, 369, 376, 379, 380,  
D6/498, 500–502; 297/284.4, 452.15, 452.21,  
297/452.29, 452.3, 452.46, 452.48  
See application file for complete search history.

(56) **References Cited**

U.S. PATENT DOCUMENTS

D600,051 S *	9/2009	Parker et al.	.....	D6/502
D604,535 S *	11/2009	Parker et al.	.....	D6/500
D613,084 S *	4/2010	Wilkinson et al.	.....	D6/366
D616,213 S *	5/2010	Parker et al.	.....	D6/366
D627,983 S *	11/2010	Wakasugi et al.	.....	D6/366
D637,423 S *	5/2011	Behar et al.	.....	D6/500
D638,230 S *	5/2011	Roy	.....	D6/366
D638,232 S *	5/2011	Roy	.....	D6/376

D639,091 S *	6/2011	Behar et al.	.....	D6/502
D653,045 S *	1/2012	Schaack	.....	D6/366
D657,166 S *	4/2012	Behar et al.	.....	D6/500
D673,385 S *	1/2013	Lu	.....	D6/366

\* cited by examiner

*Primary Examiner* — Mimoso De

(74) *Attorney, Agent, or Firm* — Omni Legal Group; Omid E. Khalifeh

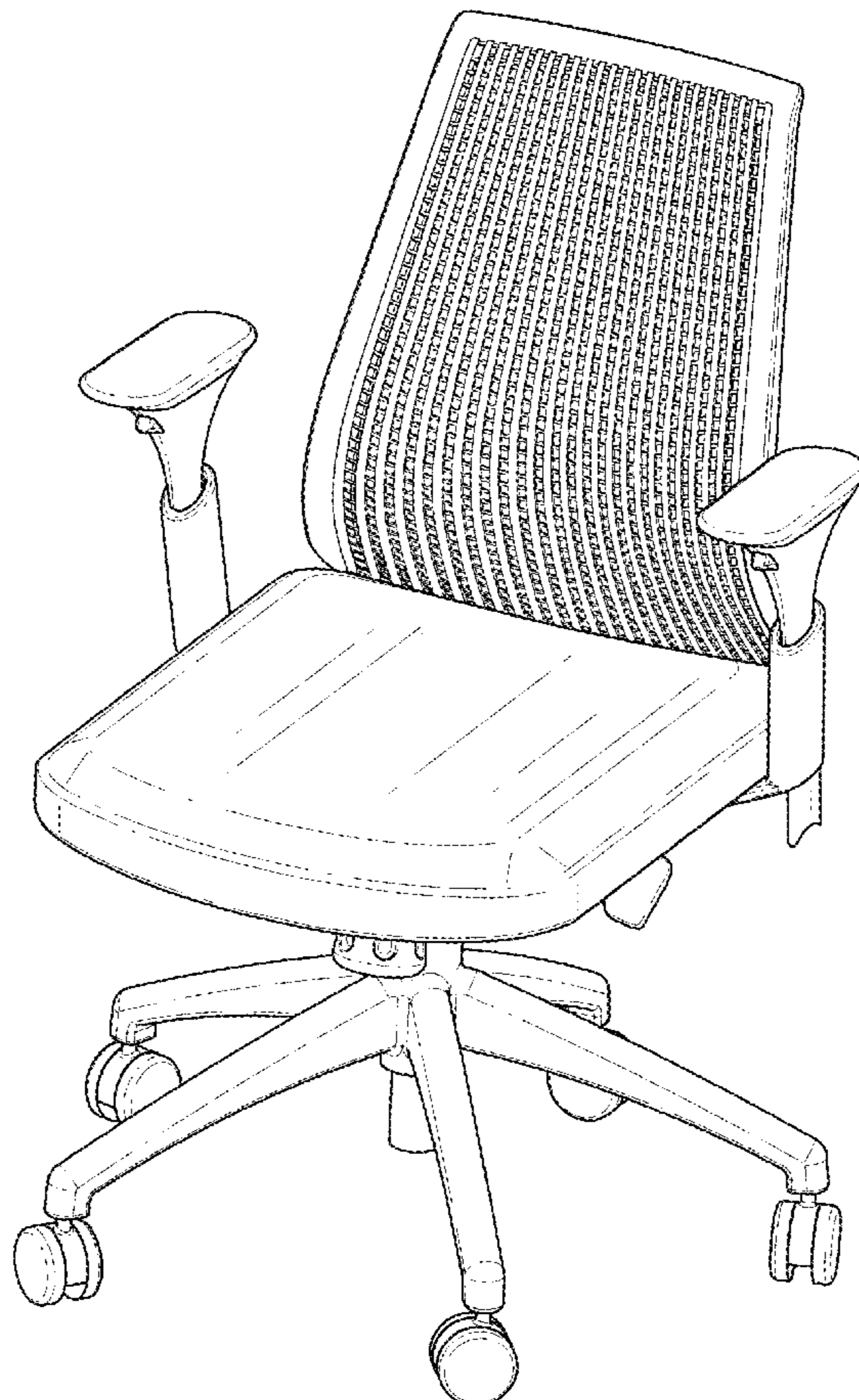
(57) **CLAIM**

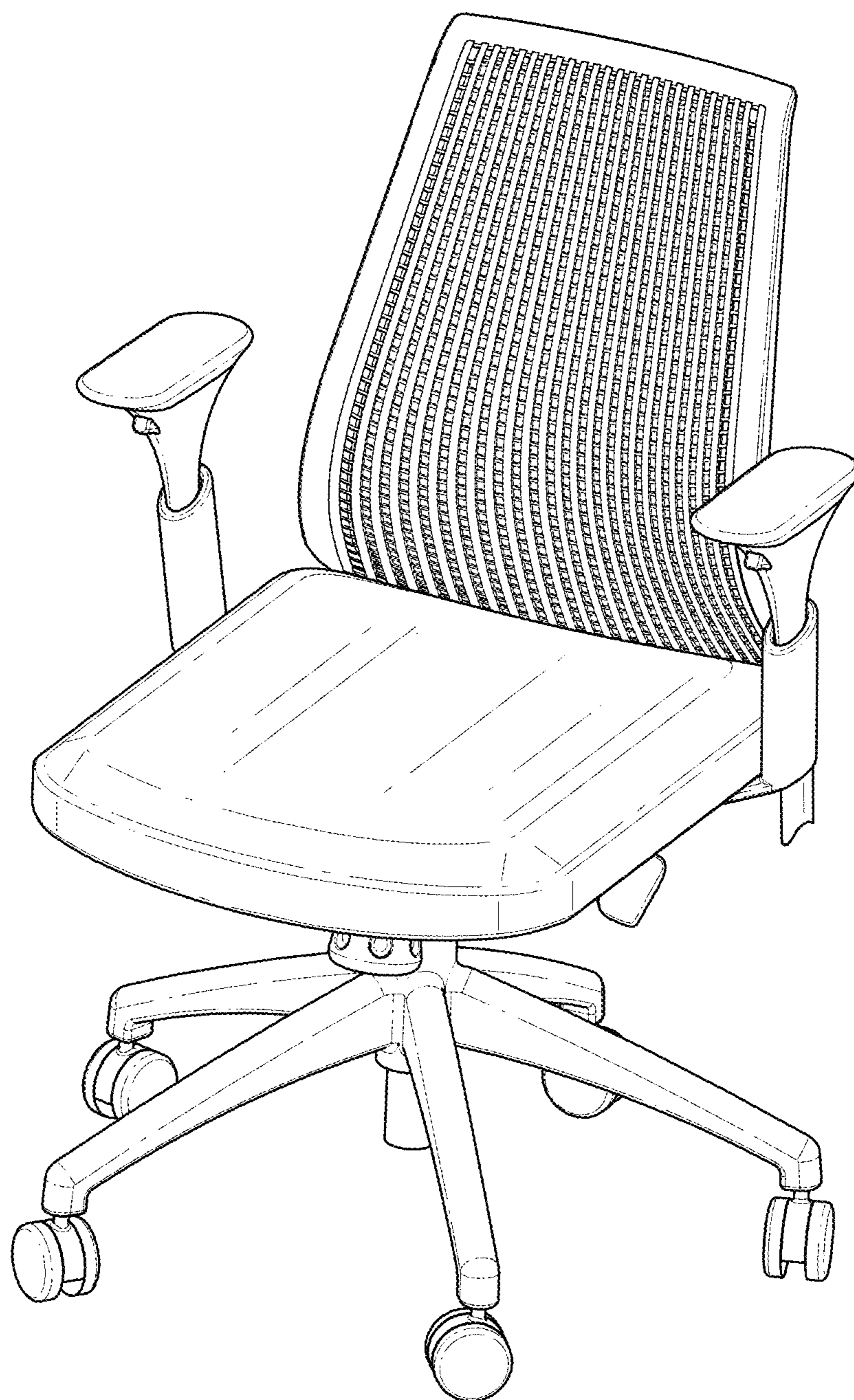
The ornamental design for a chair, as shown and described.

**DESCRIPTION**

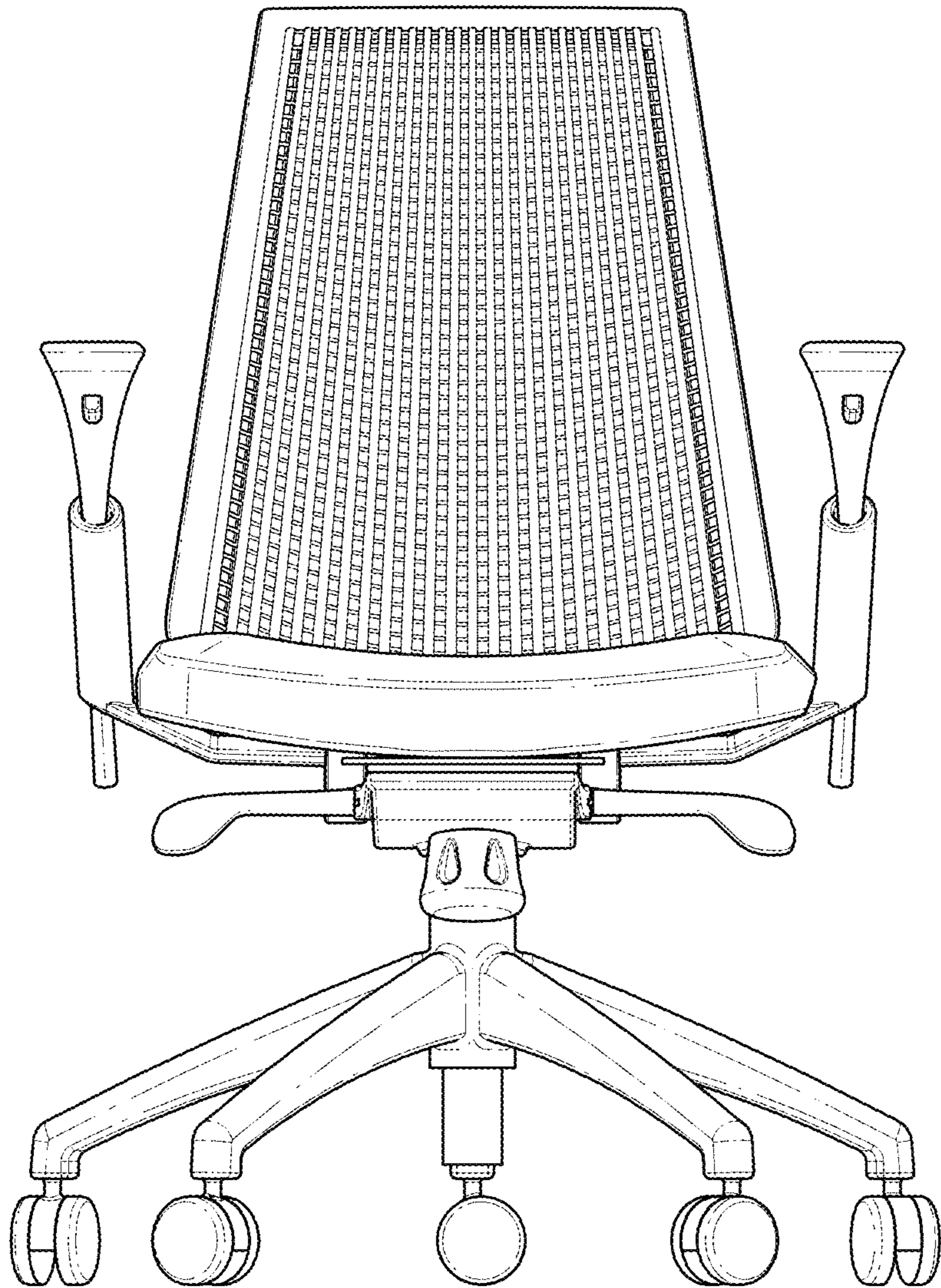
FIG. 1 is a perspective view of a chair according to the present invention;  
FIG. 2 is a front view of a chair according to the present invention;  
FIG. 3 is a rear view of a chair according to the present invention;  
FIG. 4 is a top view of a chair according to the present invention;  
FIG. 5 is a bottom view of a chair according to the present invention; and,  
FIG. 6 is a side view of a chair according to the present invention.

**1 Claim, 6 Drawing Sheets**

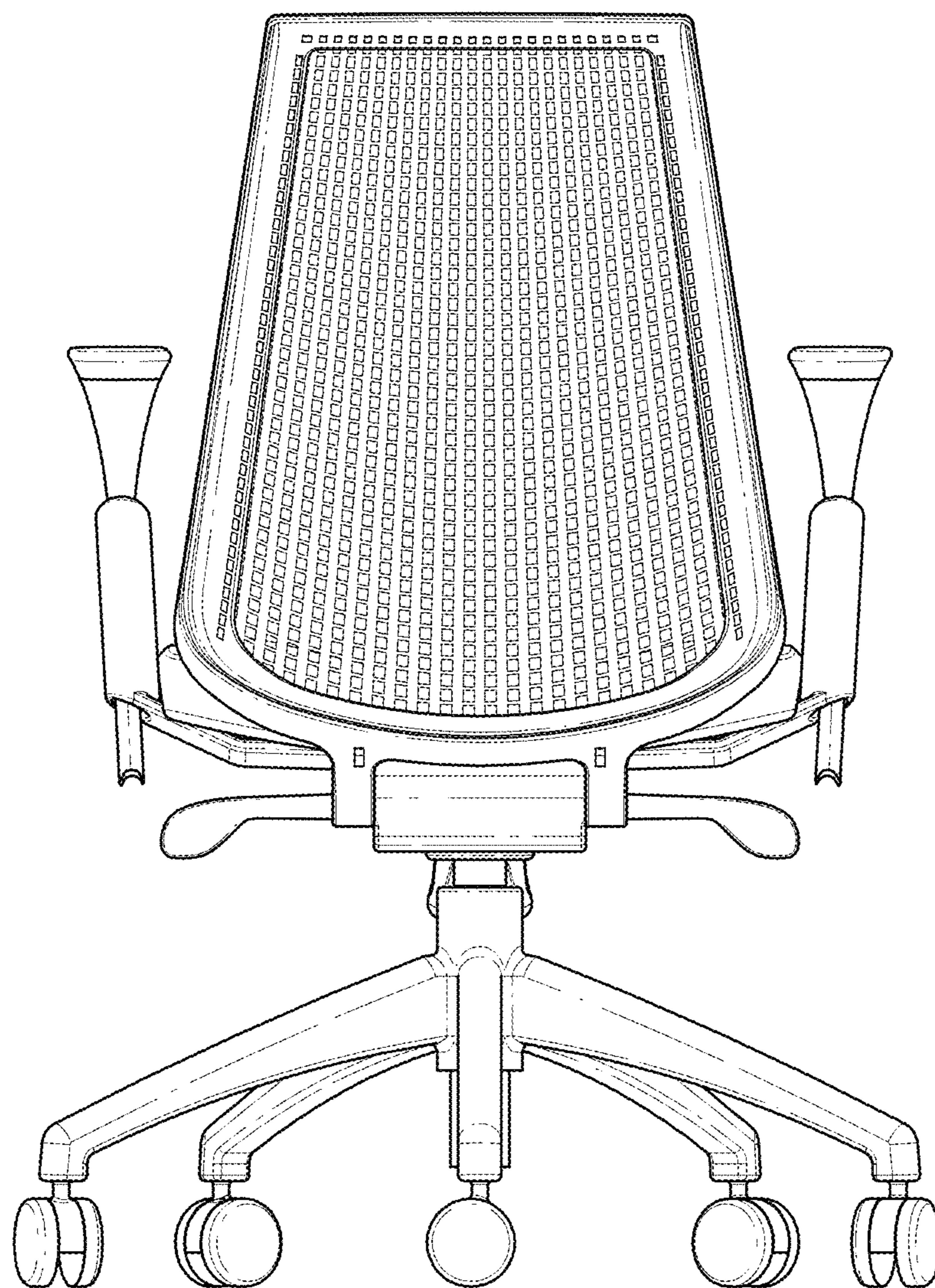




*FIG. 1*



*FIG. 2*



*FIG. 3*

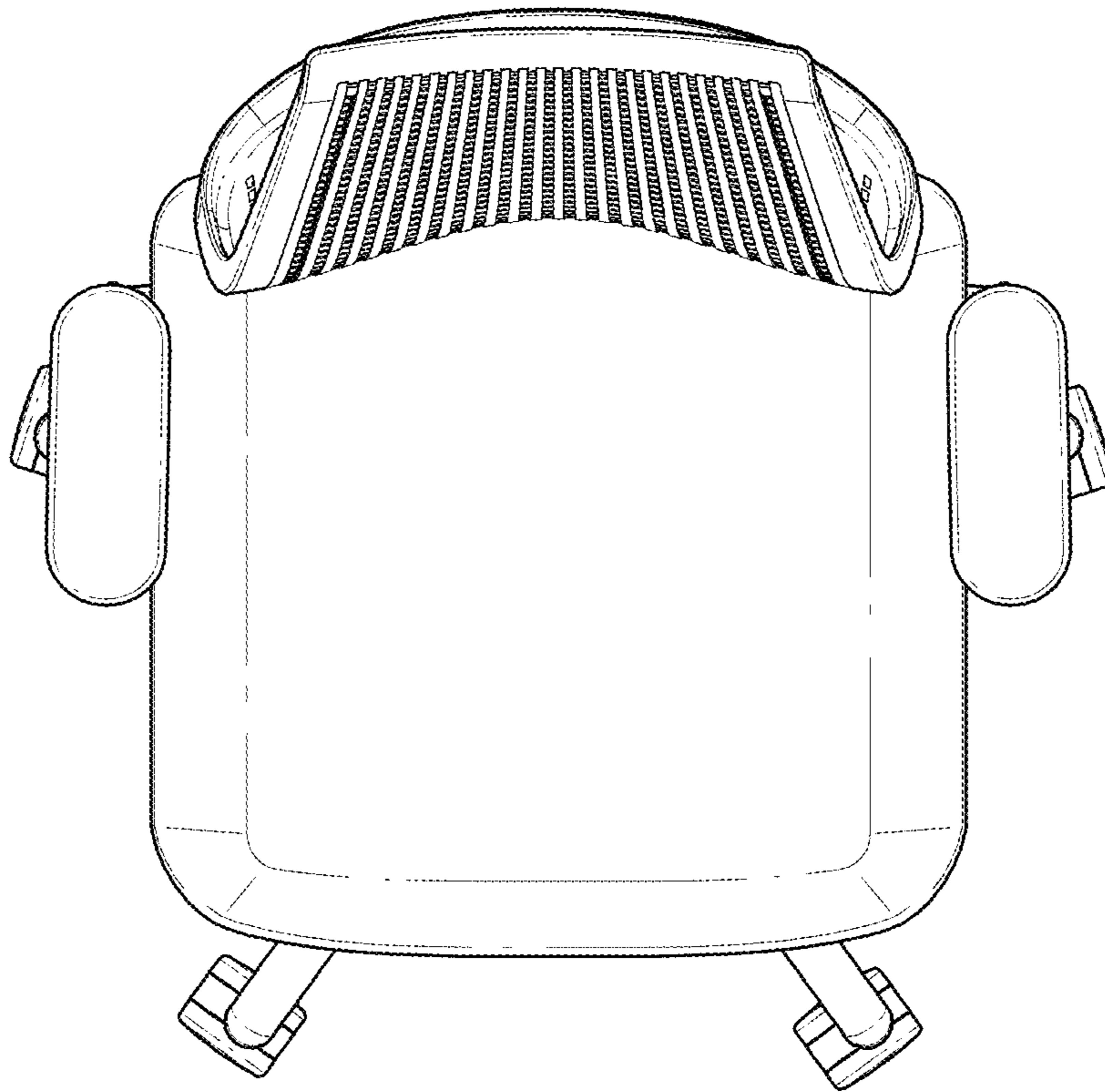
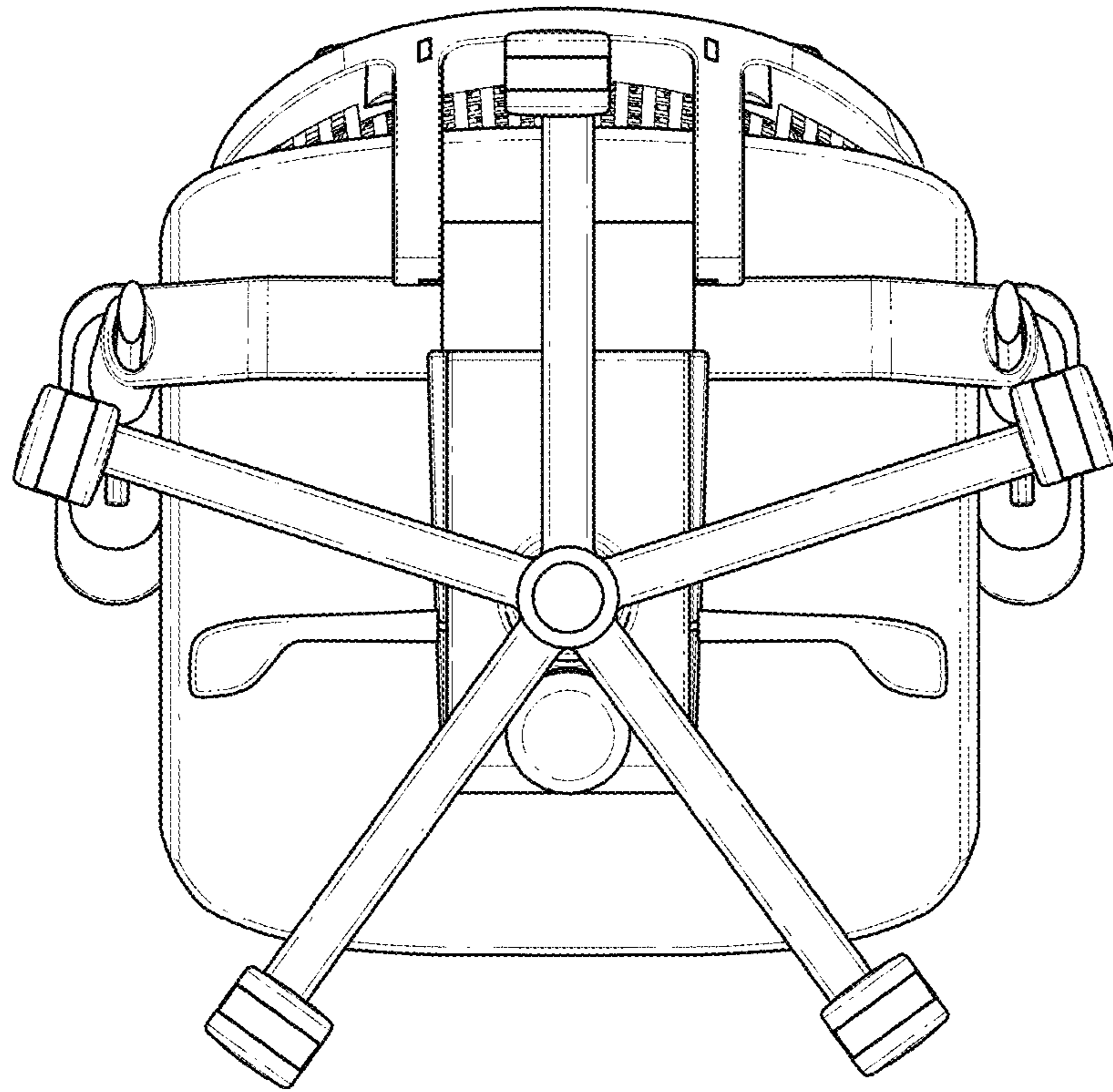
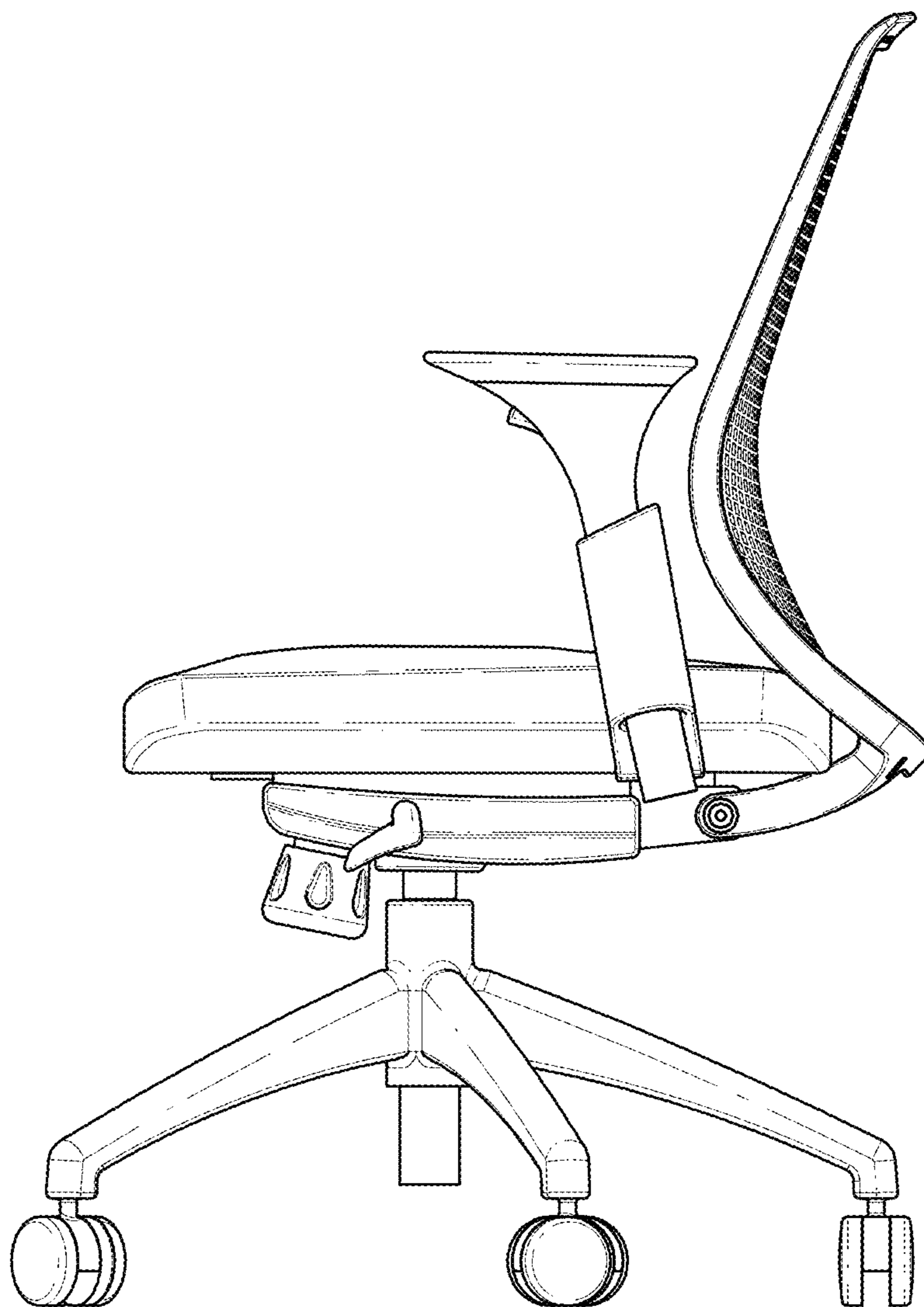


FIG. 4



*FIG. 5*



*FIG. 6*