



US00D680344S

(12) **United States Design Patent**  
**Lievore et al.**

(10) **Patent No.:** **US D680,344 S**  
(45) **Date of Patent:** **\*\* Apr. 23, 2013**

(54) **ARMCHAIR**

(75) Inventors: **Alberto Lievore**, Treviso (IT);  
**Jeannette Altherr**, Treviso (IT); **Manuel Molina**, Treviso (IT)

(73) Assignee: **Arper S.p.A.**, Monstier di Treviso,  
Treviso (IT)

(\*\*) Term: **14 Years**

(21) Appl. No.: **29/411,938**

(22) Filed: **Jan. 27, 2012**

(30) **Foreign Application Priority Data**

Jul. 29, 2011 (WO) ..... 617287301

(51) **LOC (9) Cl.** ..... **06-01**

(52) **U.S. Cl.**  
USPC ..... **D6/366**

(58) **Field of Classification Search** ..... D6/334-336,  
D6/364, 365, 366, 371-373, 374, 375, 376,  
D6/379, 498, 500-502; 297/445.1, 446.1,  
297/452.12, 452.14, 452.19, 452.21, 452.26,  
297/452.29, 452.32, 452.35, 452.48

See application file for complete search history.

(56) **References Cited**

U.S. PATENT DOCUMENTS

|          |   |   |        |                |       |        |
|----------|---|---|--------|----------------|-------|--------|
| D235,233 | S | * | 6/1975 | Prizlow        | ..... | D6/366 |
| D236,303 | S | * | 8/1975 | Prizlow        | ..... | D6/366 |
| D270,309 | S | * | 8/1983 | Ochsner        | ..... | D6/366 |
| D270,310 | S | * | 8/1983 | Ochsner        | ..... | D6/366 |
| D576,812 | S | * | 9/2008 | Van Severen    | ..... | D6/366 |
| D611,276 | S | * | 3/2010 | Kubryk         | ..... | D6/500 |
| D657,151 | S | * | 4/2012 | Lievore et al. | ..... | D6/366 |
| D663,975 | S | * | 7/2012 | Kubryk         | ..... | D6/500 |

\* cited by examiner

*Primary Examiner* — Mimoso De

(74) *Attorney, Agent, or Firm* — Shoemaker and Mattare

(57) **CLAIM**

The ornamental design for an armchair, as shown and described.

**DESCRIPTION**

FIG. 1 is a perspective view of a armchair, showing our new design from the front, right side and top;  
FIG. 2 is a right side view thereof;  
FIG. 3 is a left side view thereof;  
FIG. 4 is a front elevational view thereof;  
FIG. 5 is a rear elevational view thereof;  
FIG. 6 is a top plan view thereof; and,  
FIG. 7 is a bottom plan view thereof.

**1 Claim, 7 Drawing Sheets**





Fig. 1

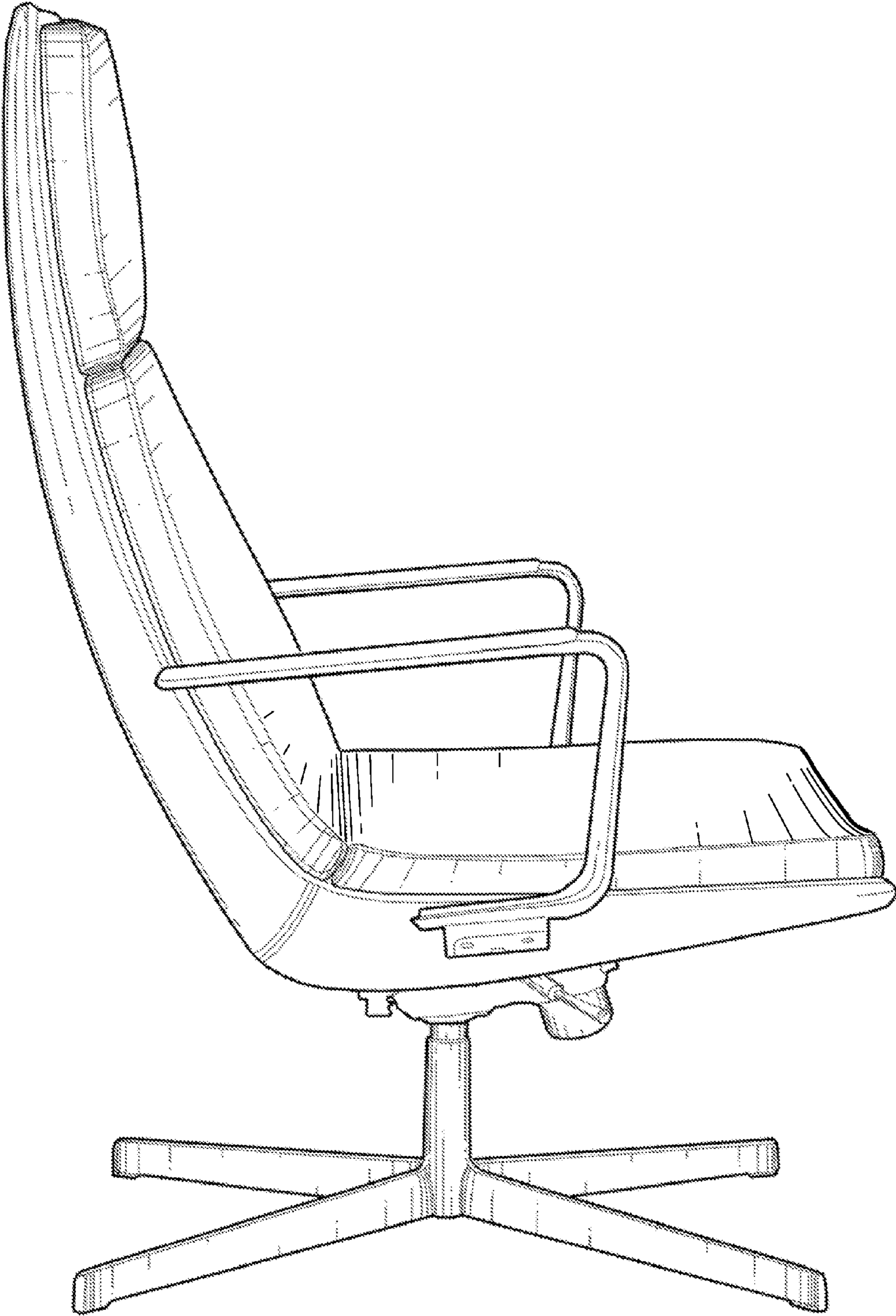


Fig. 2



Fig. 3

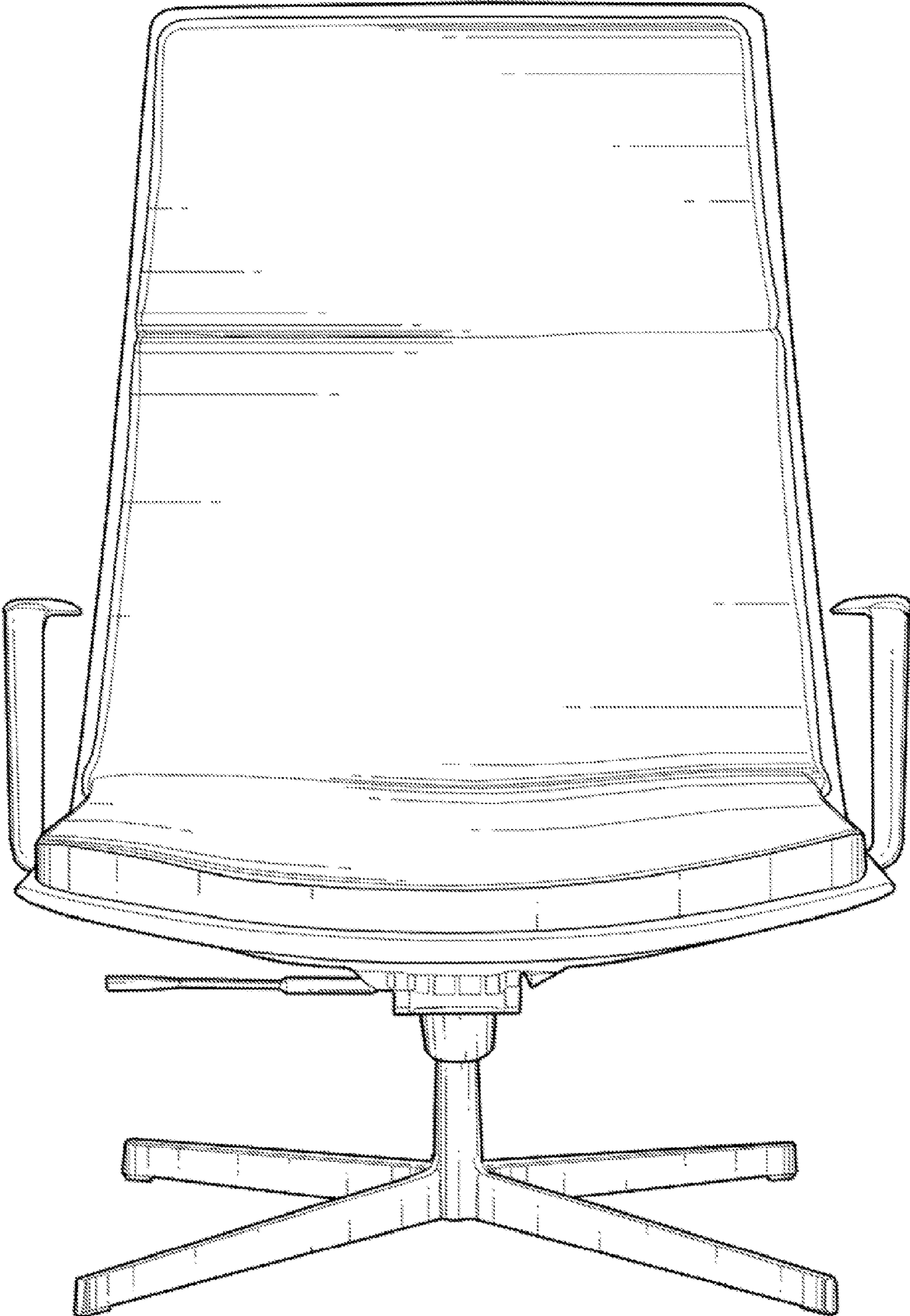


Fig. 4

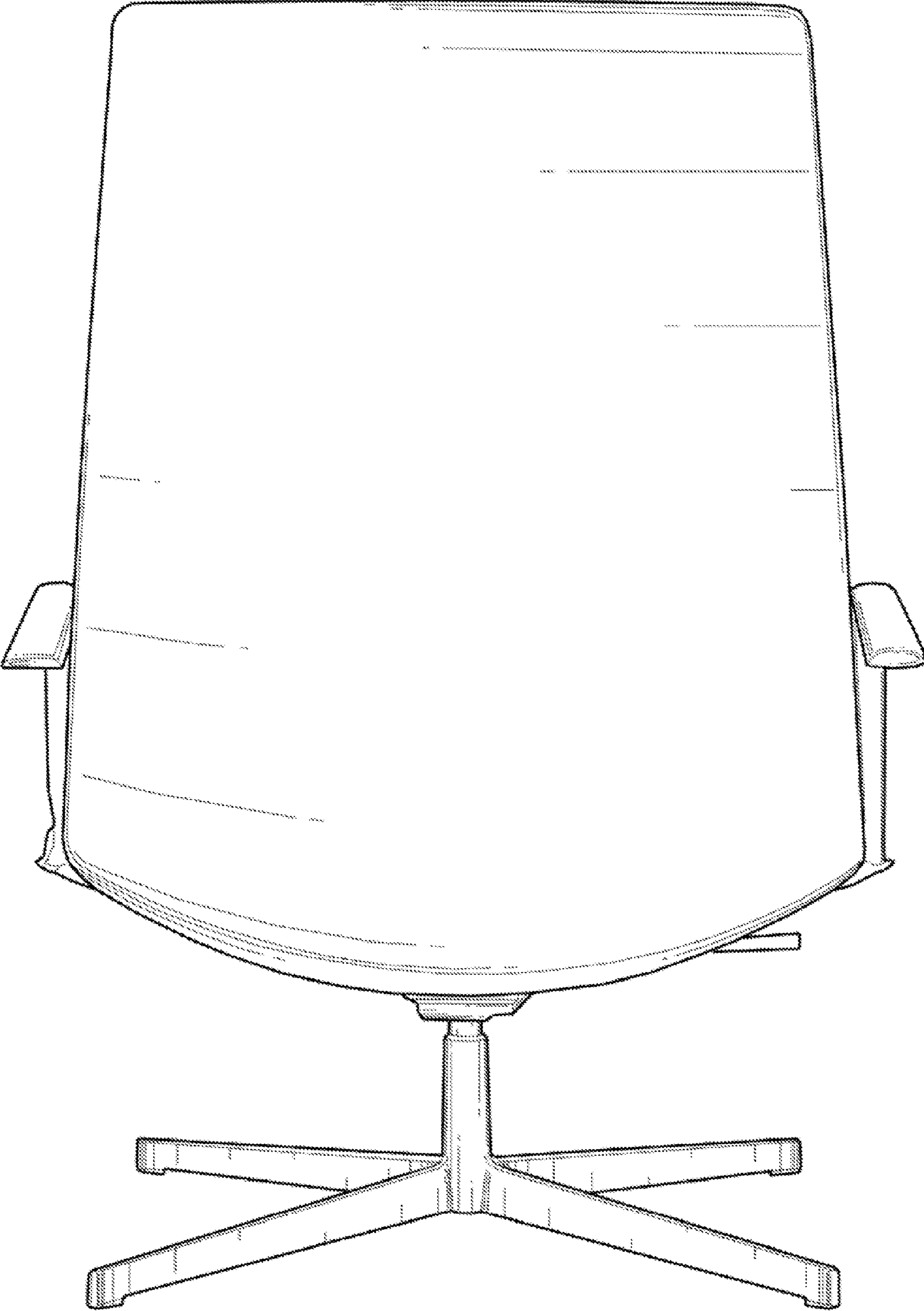


Fig. 5

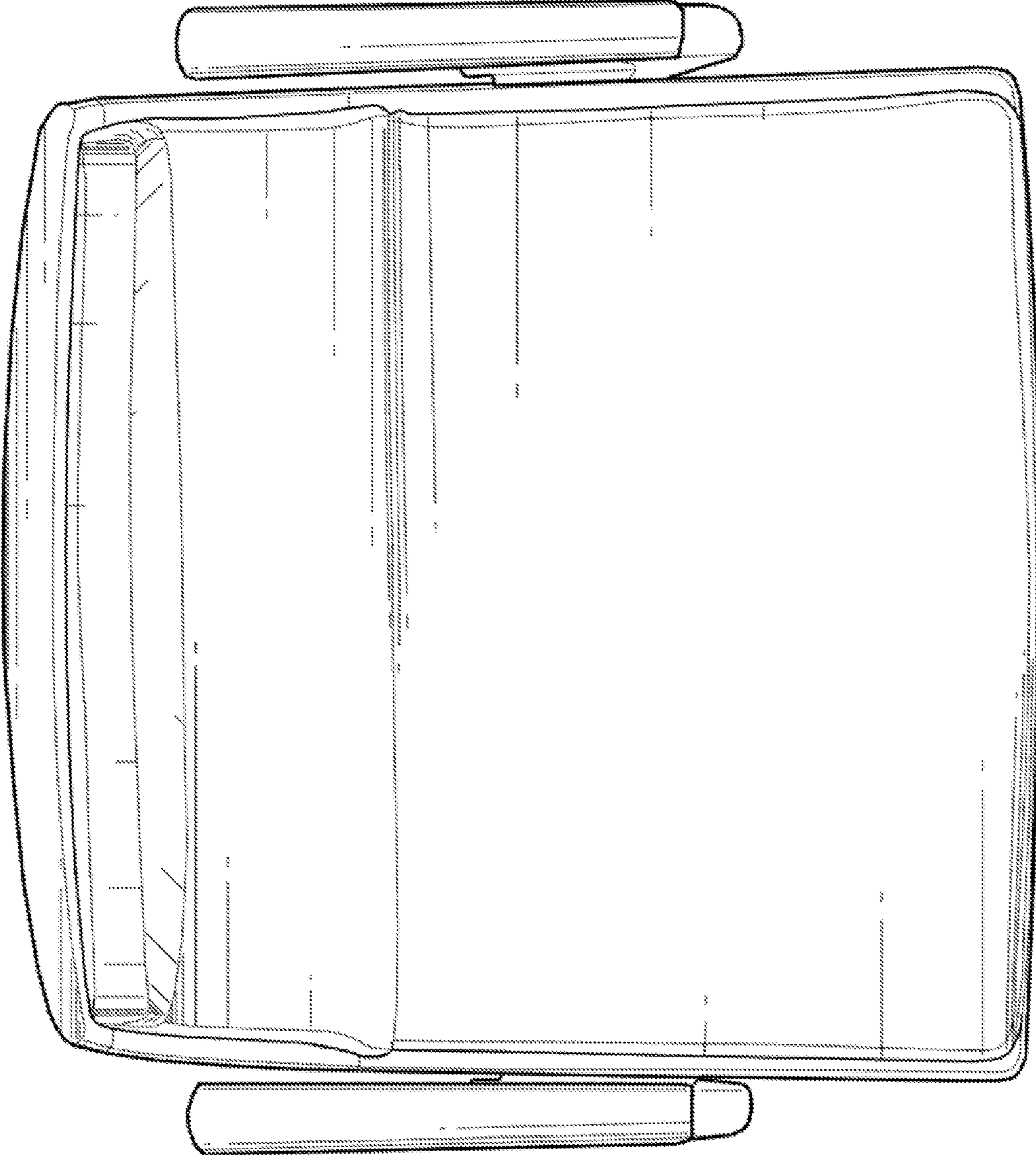


Fig. 6

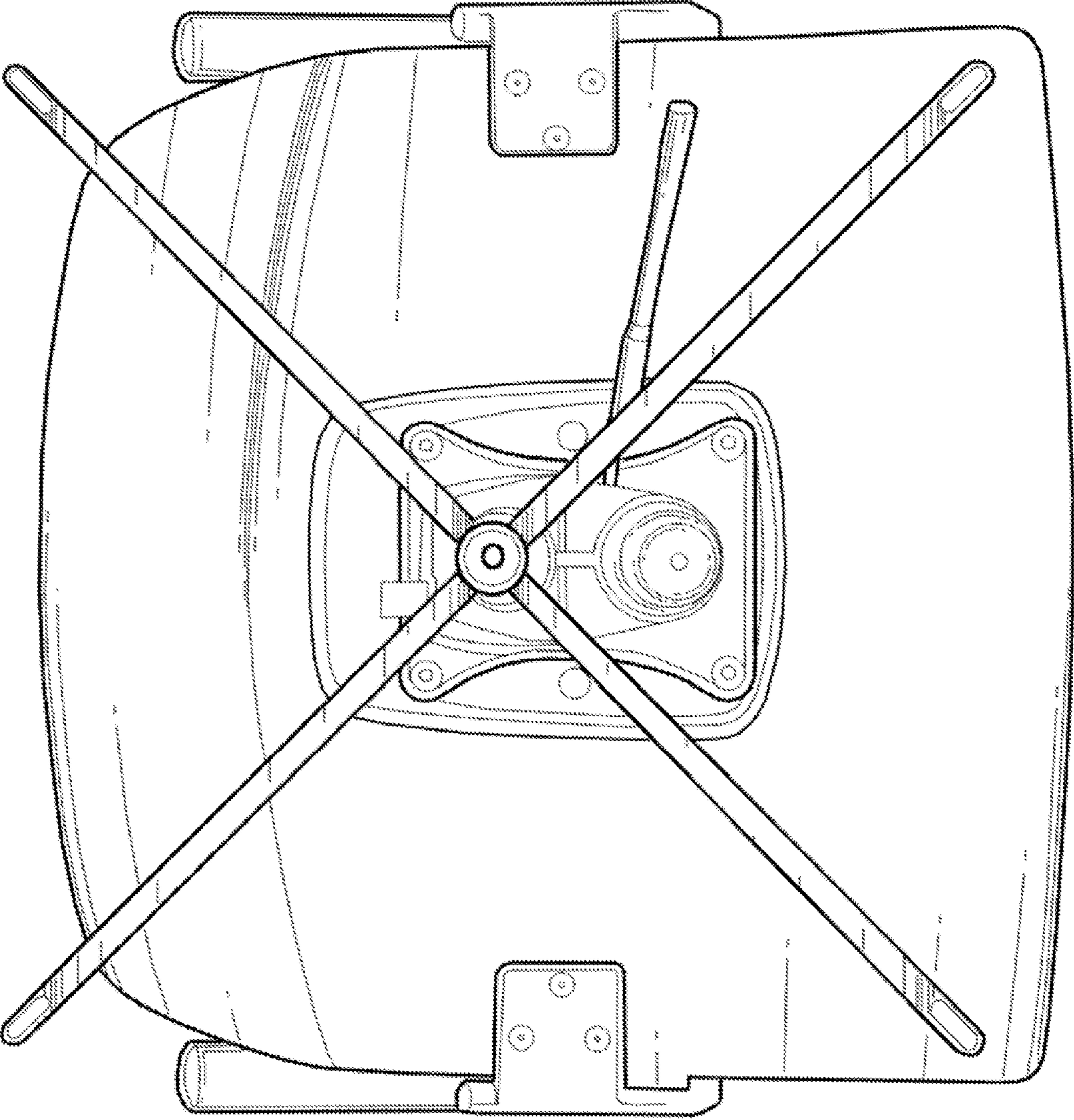


Fig. 7