



US00D680342S

(12) **United States Design Patent**
Kuo

(10) **Patent No.:** **US D680,342 S**

(45) **Date of Patent:** **** Apr. 23, 2013**

(54) **FOOTBALL HELMET CHAIR**

(76) Inventor: **Ken Kuo**, Columbus, OH (US)

(**) Term: **14 Years**

(21) Appl. No.: **29/409,227**

(22) Filed: **Dec. 21, 2011**

(51) **LOC (9) Cl.** **06-01**

(52) **U.S. Cl.**
USPC **D6/358**

(58) **Field of Classification Search** D6/334–336,
D6/345, 351, 358, 364, 365, 374, 375, 379,
D6/450, 500–502; 297/118, 181; D7/515,
D7/613, 623, 625; D19/75; D30/112, 125;
D9/632

See application file for complete search history.

(56) **References Cited**

U.S. PATENT DOCUMENTS

D211,170 S	5/1968	Carsello	
D233,381 S *	10/1974	Wright	D6/351
3,843,197 A *	10/1974	Wright	297/181
D249,272 S *	9/1978	Sommerfeld	D19/75
D250,444 S	12/1978	Danat et al.	
D279,430 S	7/1985	McLeroy	
D289,610 S *	5/1987	Neyer	D9/632
D314,492 S *	2/1991	Weller et al.	D7/623
D344,659 S *	3/1994	Hsu	D7/613
D363,855 S	11/1995	Van Blankenburg	
D369,529 S	5/1996	Blankenburg et al.	
D430,214 S	8/2000	Palmer	
D553,374 S	10/2007	Cordek	
D599,625 S	9/2009	Lessells	
D601,760 S *	10/2009	Friess	D30/125

D608,057 S *	1/2010	Zagar	D30/112
D616,159 S *	5/2010	Zagar	D30/112
D616,670 S	6/2010	Lau	
D620,268 S *	7/2010	Van Halder	D6/358

OTHER PUBLICATIONS

Ken Kuo, U.S. Appl. No. 29/409,225, filed Dec. 21, 2011.
Ken Kuo, U.S. Appl. No. 29/389,576, filed Apr. 13, 2011.

* cited by examiner

Primary Examiner — Mimososa De

(74) *Attorney, Agent, or Firm* — Squire Sanders (US) LLP

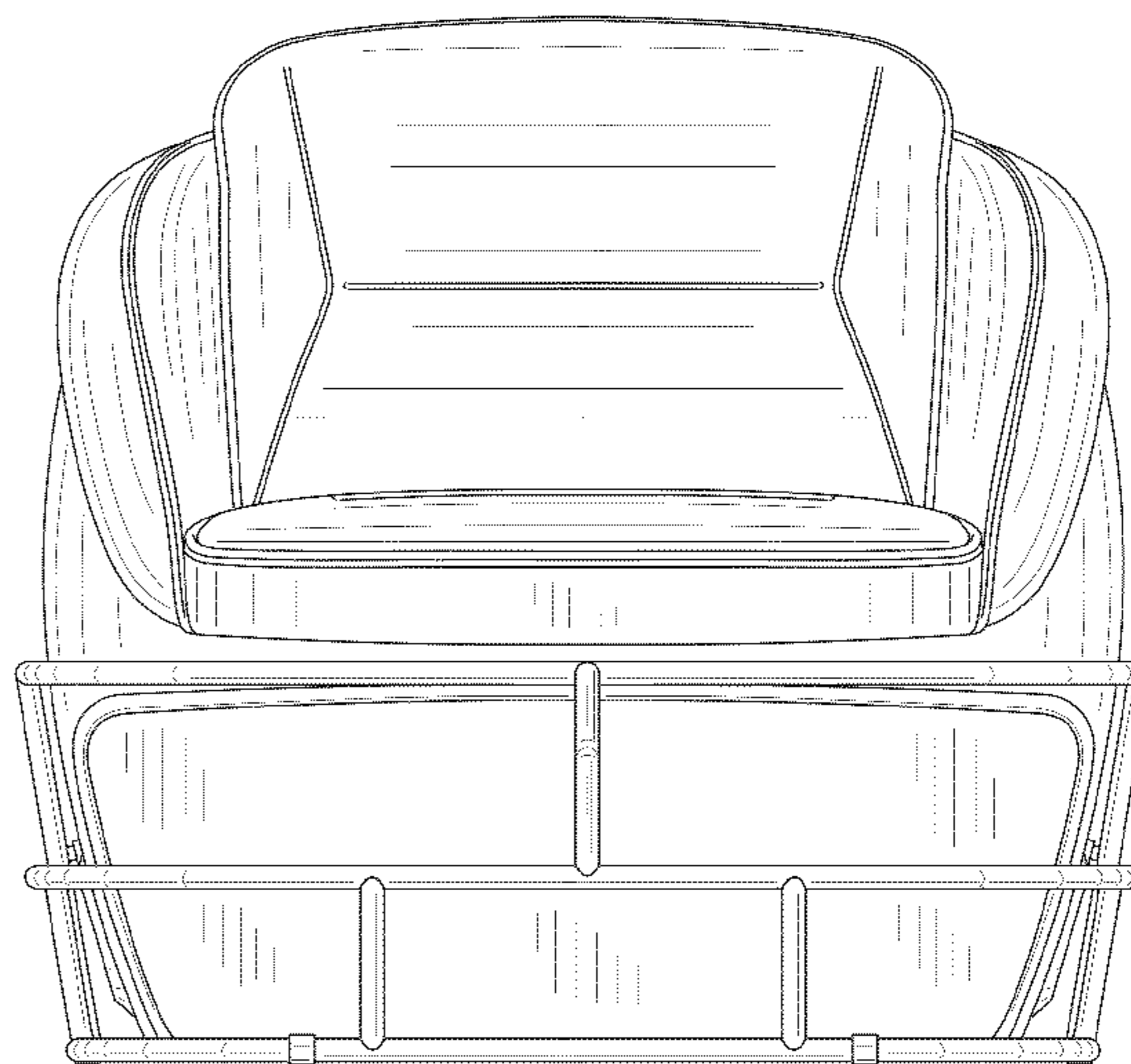
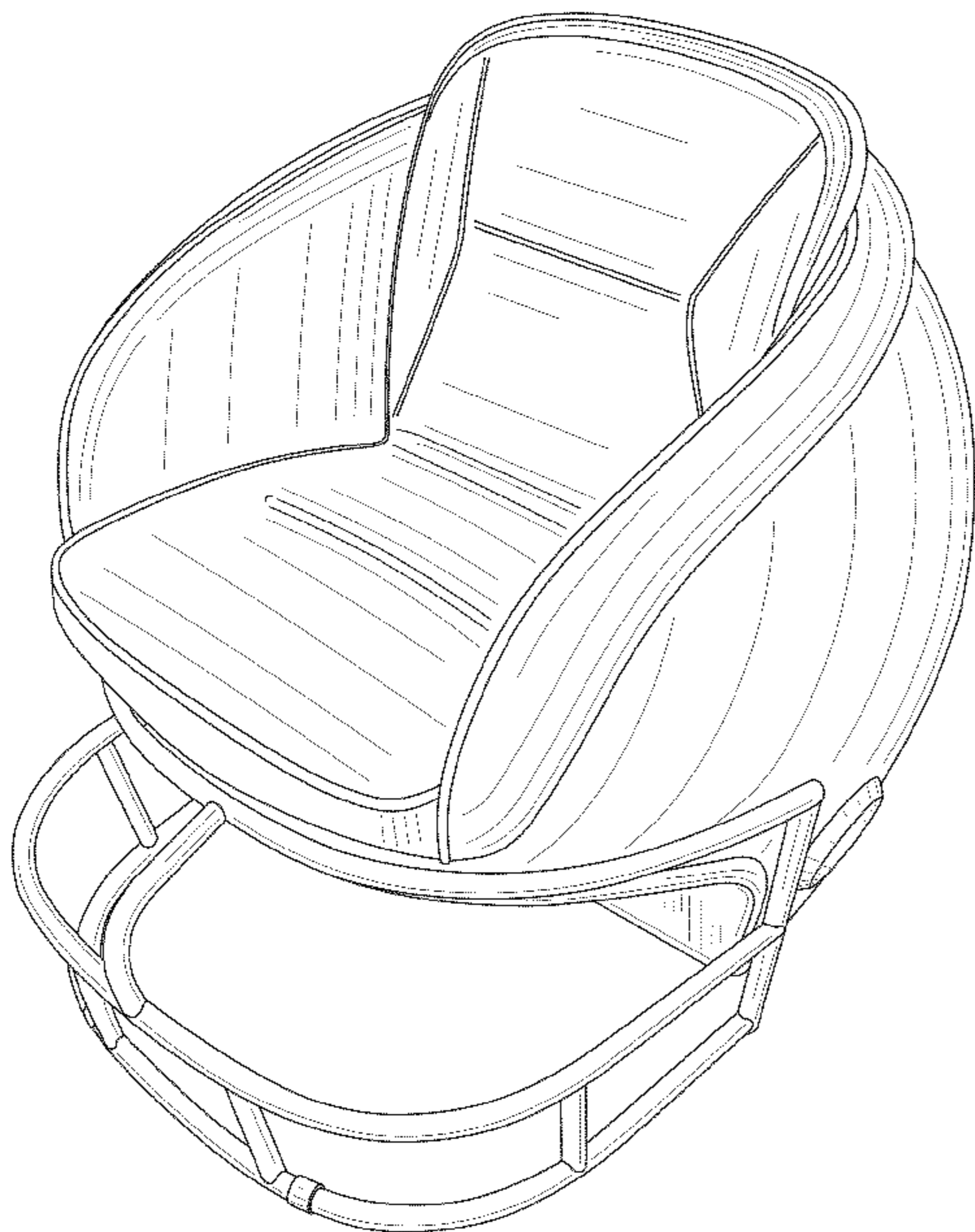
(57) **CLAIM**

The ornamental design for a football helmet chair, as shown and described.

DESCRIPTION

FIG. 1 is a perspective view of the ornamental design of the present invention;
FIG. 2 is a front view of the ornamental design of the present invention;
FIG. 3 is a back view of the ornamental design of the present invention;
FIG. 4 is a right side view of the ornamental design of the present invention, the right side view being a mirror image thereof;
FIG. 5 is a left side view of the ornamental design of the present invention;
FIG. 6 is a top view of the ornamental design of the present invention; and,
FIG. 7 is a bottom view of the ornamental design of the present invention.

1 Claim, 7 Drawing Sheets



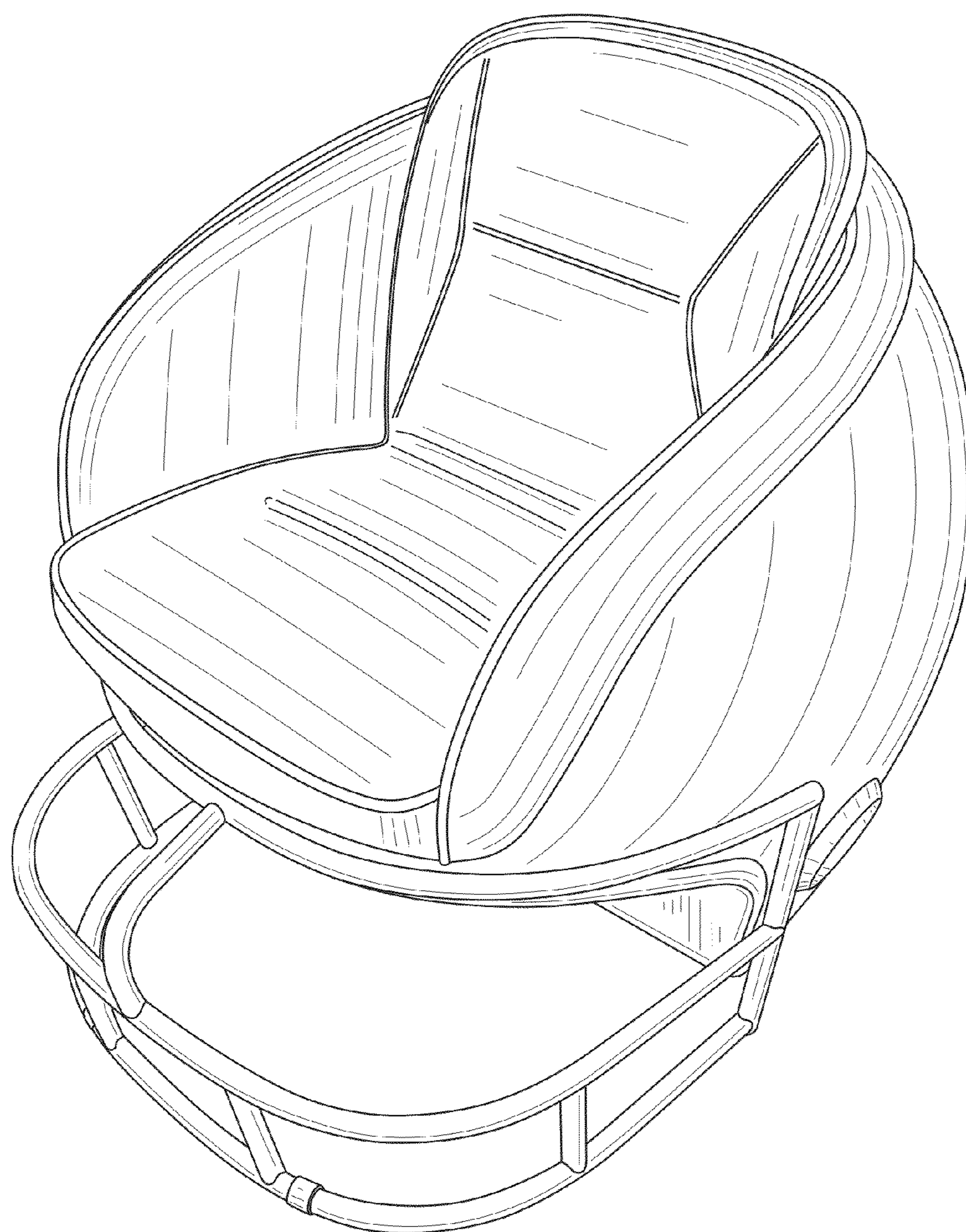


FIG. 1

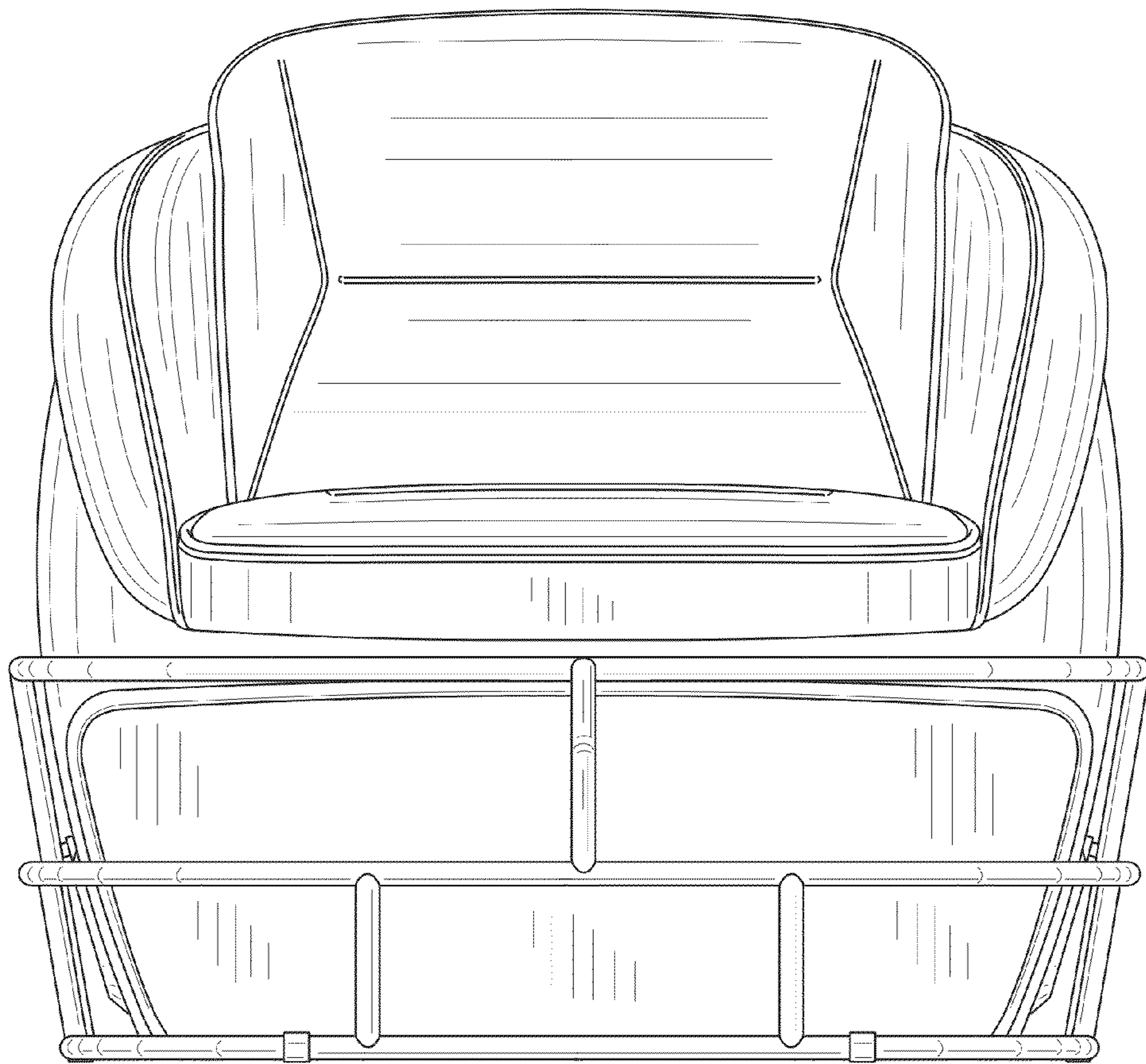


FIG. 2

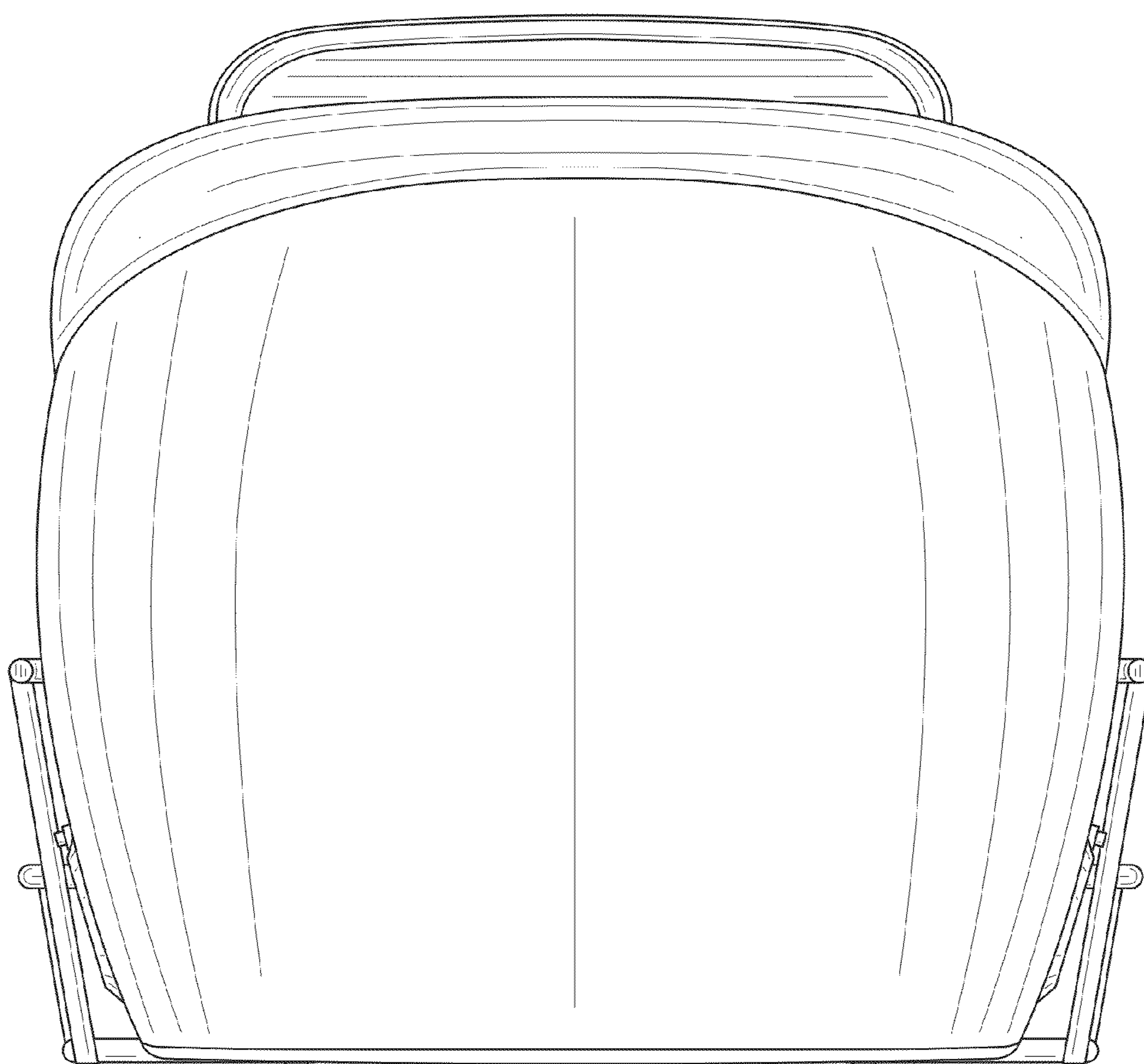


FIG. 3

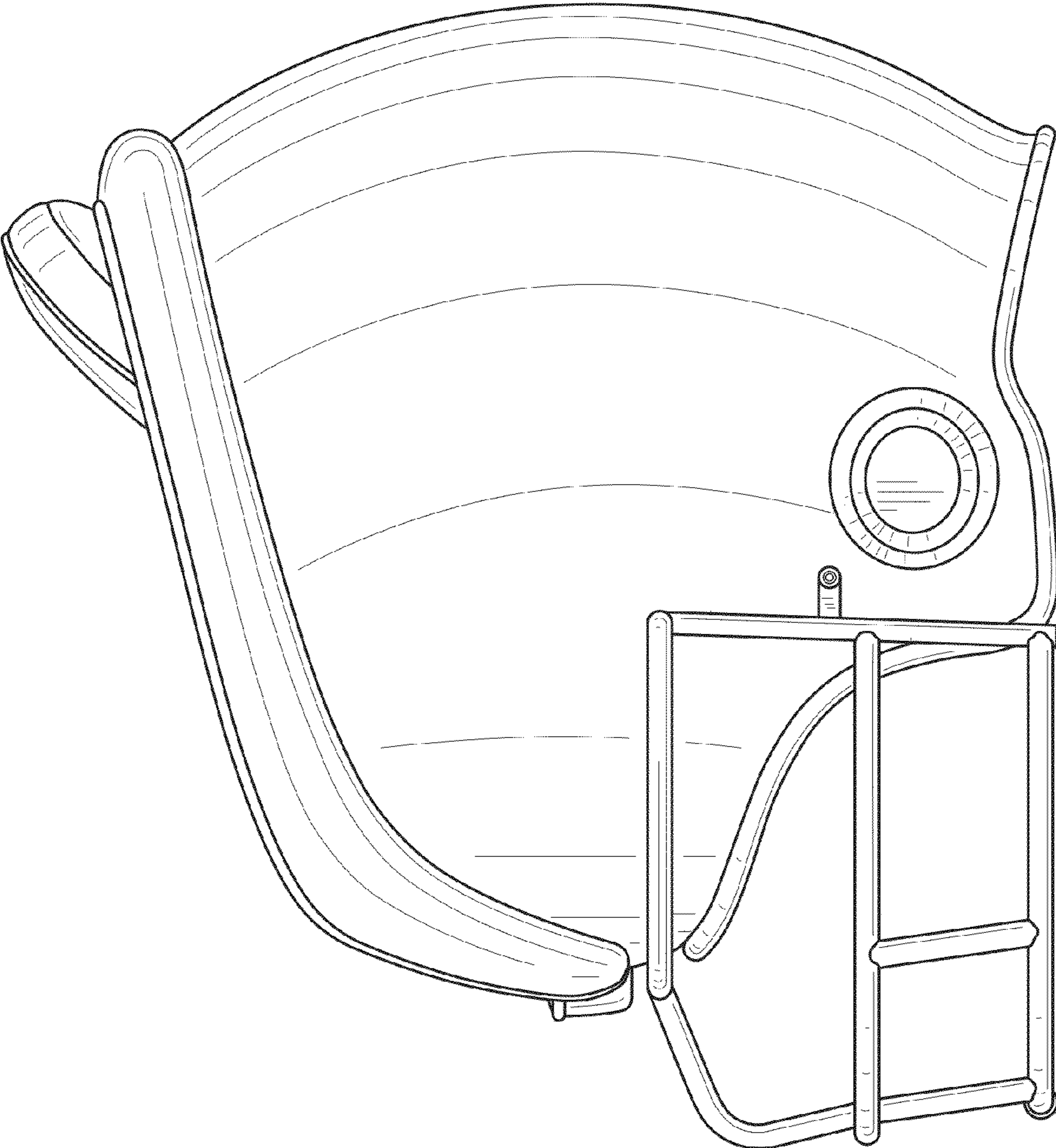


FIG. 4

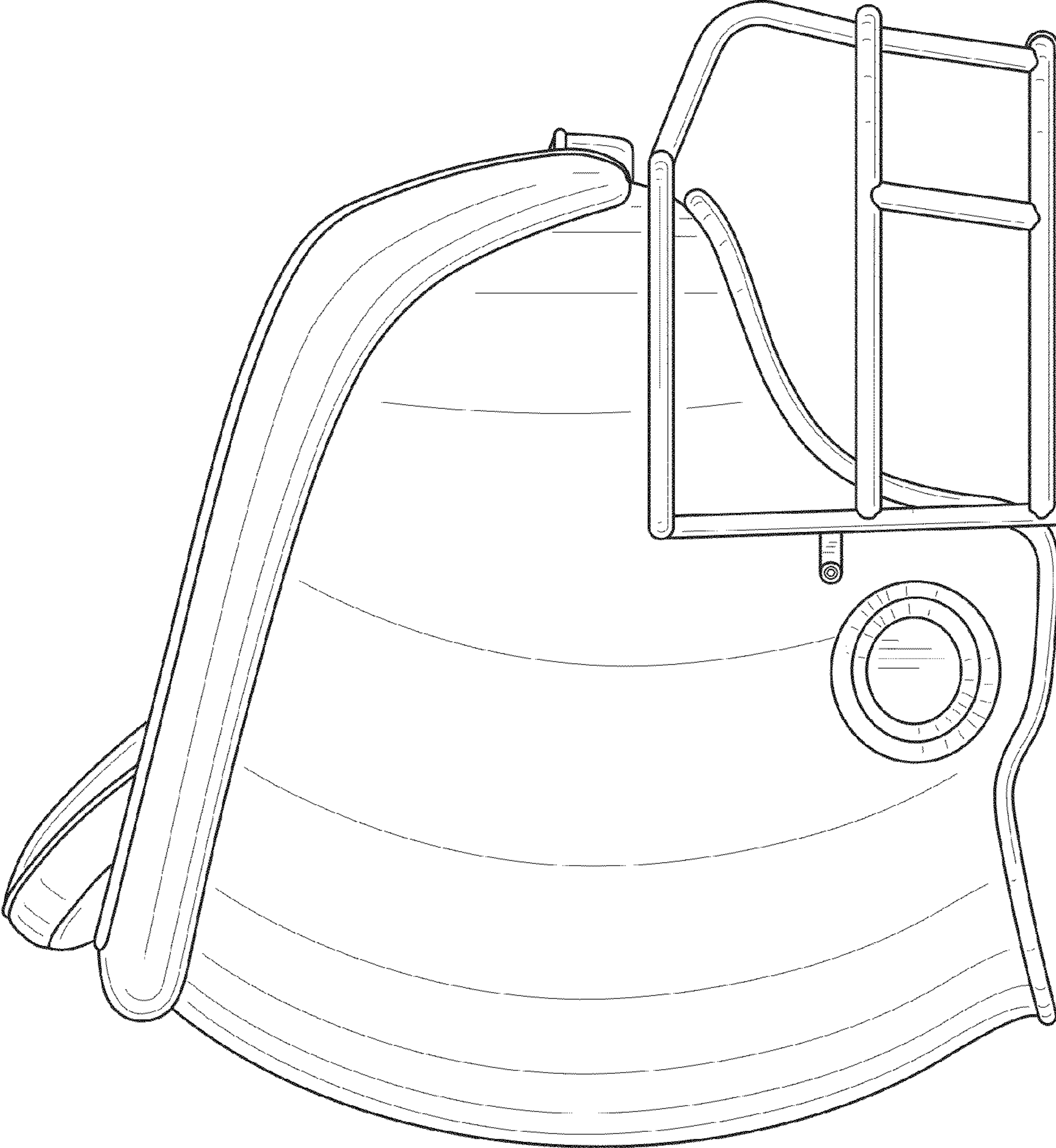


FIG. 5

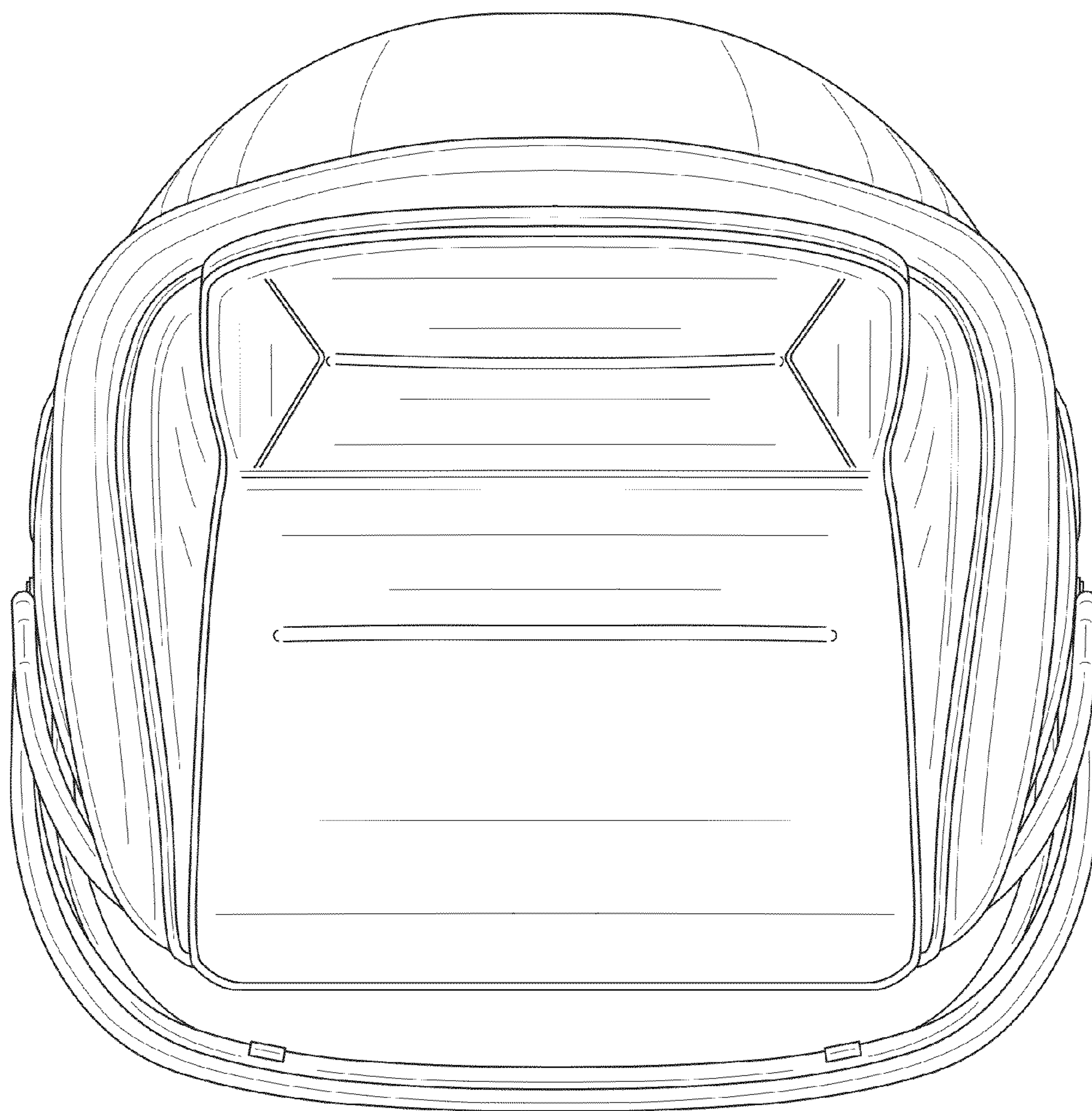


FIG. 6

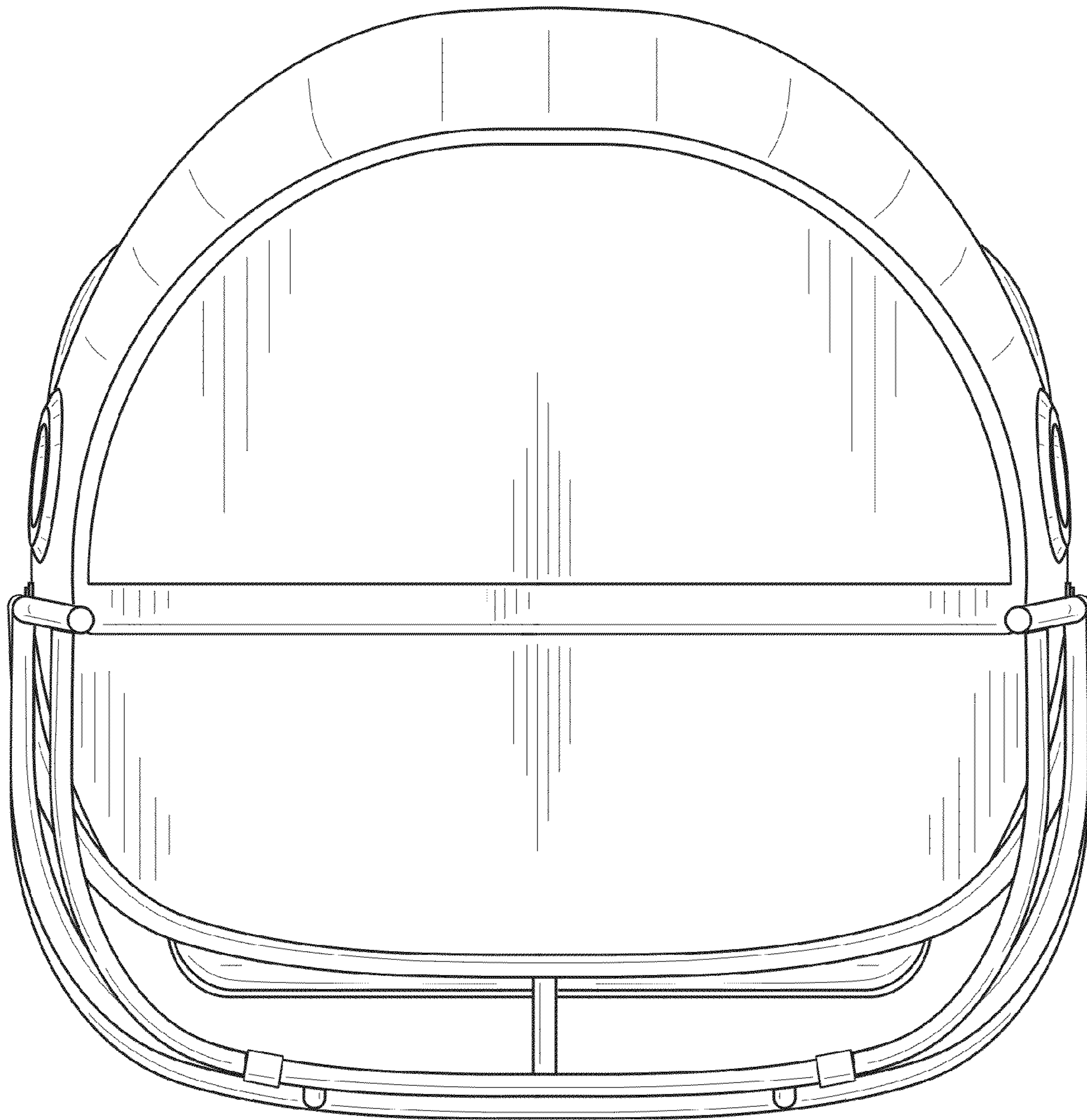


FIG. 7