



US00D680335S

(12) **United States Design Patent**  
**Wales**

(10) **Patent No.:** **US D680,335 S**

(45) **Date of Patent:** **\*\* Apr. 23, 2013**

(54) **GRILL BRUSH ATTACHMENT HAVING SPIRAL BRISTLES**

(76) Inventor: **Michael Wales**, Riverside, CT (US)

(\*\*) Term: **14 Years**

(21) Appl. No.: **29/431,694**

(22) Filed: **Sep. 10, 2012**

(51) **LOC (9) Cl.** ..... **04-01**

(52) **U.S. Cl.**  
USPC ..... **D4/131**

(58) **Field of Classification Search** ..... D4/119,  
D4/120, 131, 132, 134, 114, 118; 15/159.1,  
15/160, 106, 114, 118, 206

See application file for complete search history.

6,438,784	B1	8/2002	Yu	
D468,107	S	1/2003	Shen	
6,745,428	B2	6/2004	MacLean	
6,817,932	B2	11/2004	Furey	
6,916,382	B1	7/2005	Aldredge	
6,966,094	B1	11/2005	Rigakos	
7,047,590	B2	5/2006	Neal et al.	
7,111,352	B2	9/2006	Yu	
D546,066	S	7/2007	Rothman	
D562,563	S	2/2008	Wales	
D567,510	S	4/2008	Tuli	
D589,705	S	4/2009	Zemel	
D601,345	S *	10/2009	Wales	D4/118
D601,346	S *	10/2009	Wales	D4/119
D601,347	S *	10/2009	Wales	D4/122
D601,350	S *	10/2009	Wales	D4/199
D601,351	S *	10/2009	Wales	D4/199
D632,088	S *	2/2011	Zemel	D4/131
7,909,526	B2 *	3/2011	Wales	401/39
D650,590	S *	12/2011	Carlson et al.	D4/120

(Continued)

(56) **References Cited**

U.S. PATENT DOCUMENTS

77,506	A	5/1868	McGill
201,688	A	3/1878	Leiner
297,555	A	4/1884	Baker
D114,344	S	4/1939	Muller-Munk
D134,720	S	1/1943	Herschensohn
2,458,530	A	1/1949	Resnik
3,158,887	A	12/1964	Kanbar et al.
3,366,987	A	2/1968	Giustino
3,434,175	A	3/1969	Bray
3,629,895	A	12/1971	Colgan
3,760,449	A	9/1973	Swanson
4,146,943	A	4/1979	Wertheimer et al.
D281,467	S	11/1985	Chan-Foun
D306,524	S	3/1990	Marshall
D311,553	S	10/1990	Dideriksen
D313,318	S	1/1991	Rendler
5,373,600	A	12/1994	Stojanovski et al.
5,488,750	A	2/1996	Vosbikian et al.
5,537,707	A	7/1996	Middleton
D406,931	S	3/1999	Morris
D431,367	S	10/2000	Burkhardt
6,178,581	B1	1/2001	Lewis

*Primary Examiner* — Austin Murphy

(74) *Attorney, Agent, or Firm* — St. Onge Steward Johnston & Reens LLC

(57) **CLAIM**

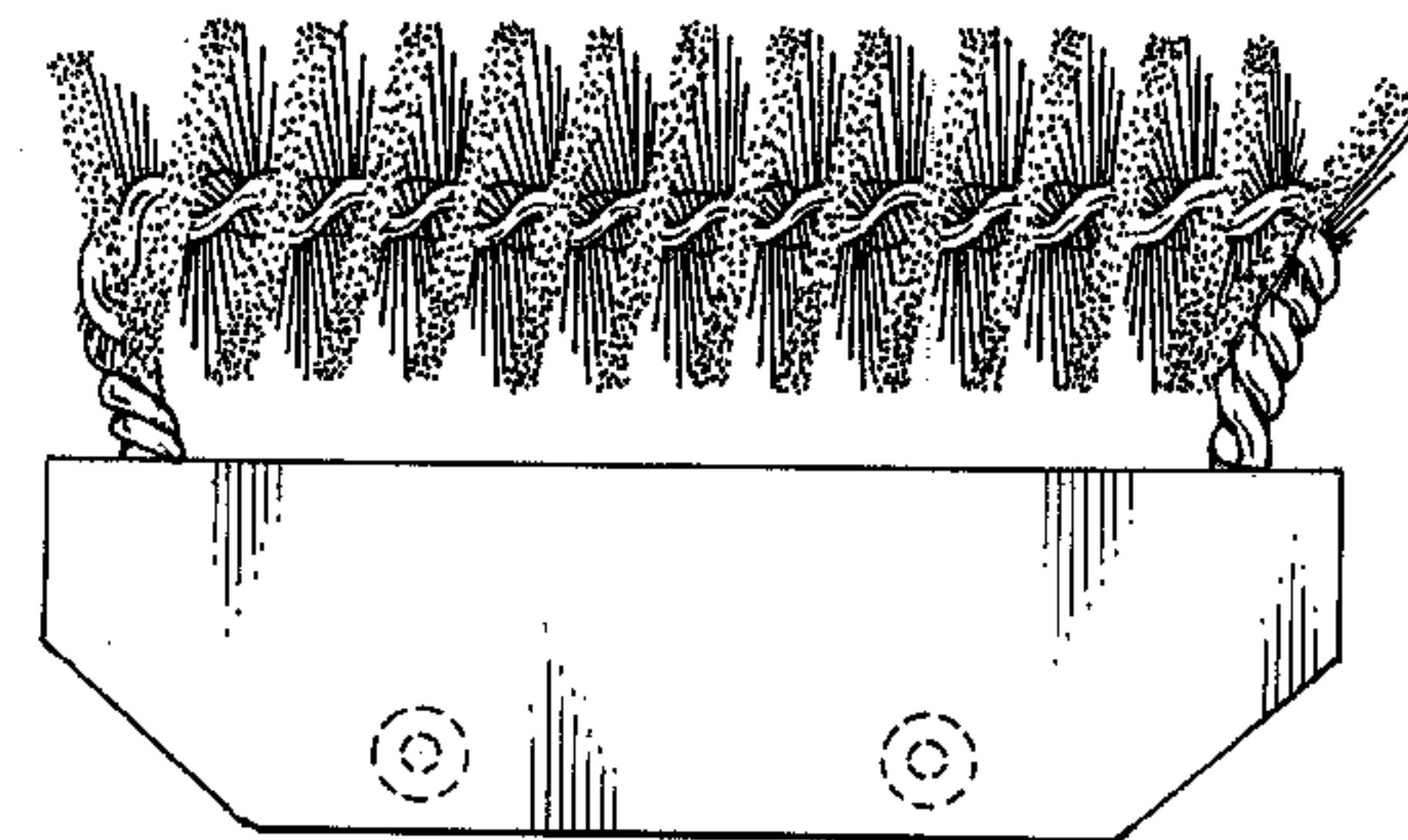
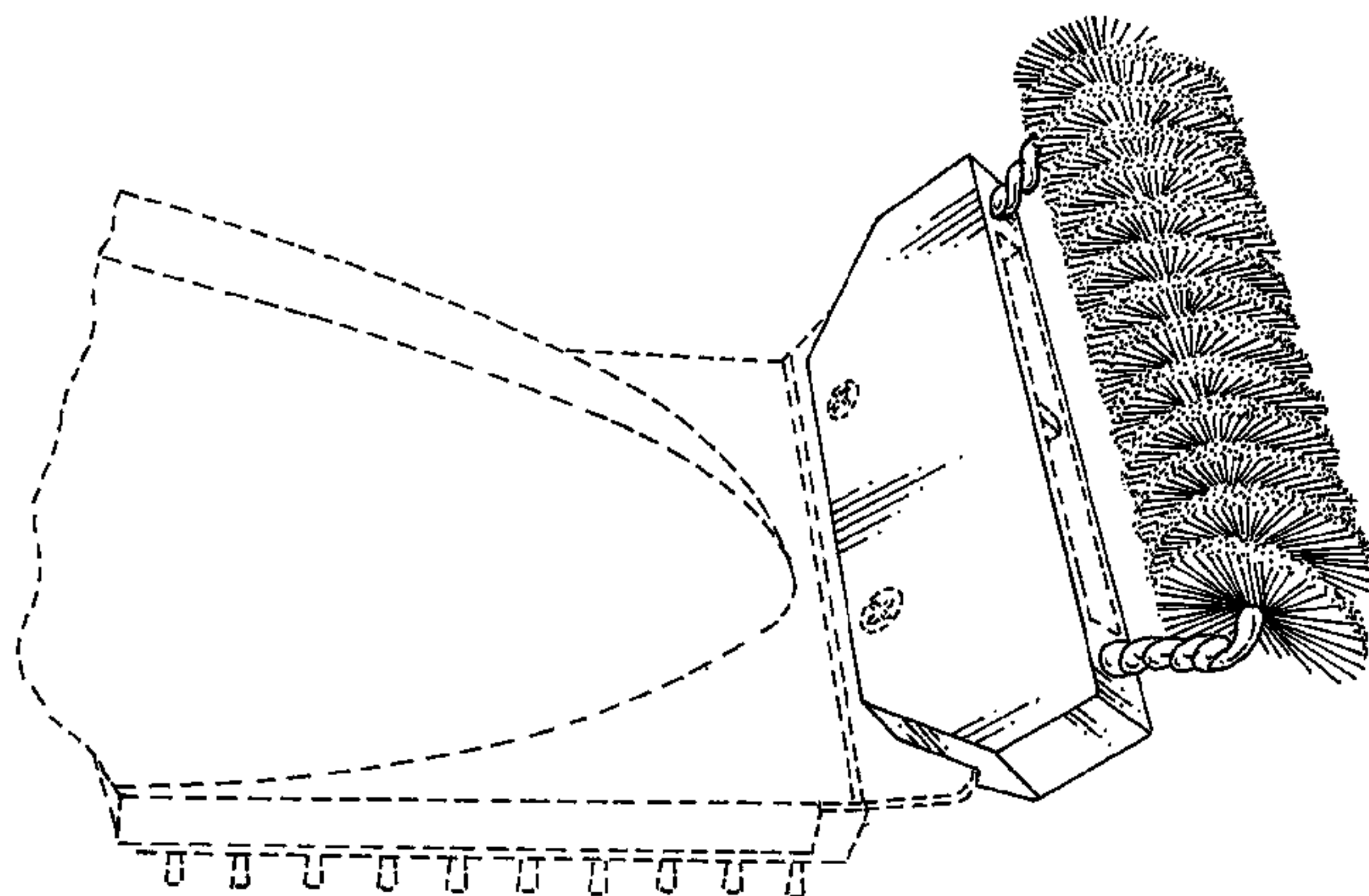
The ornamental design for a grill brush attachment having spiral bristles, as shown and described.

**DESCRIPTION**

FIG. 1 is a rear isometric view of a grill brush attachment having spiral bristles in accordance with the new design; FIG. 2 is a rear view thereof; FIG. 3 is a front view thereof; FIG. 4 is a top view thereof; FIG. 5 is a bottom view thereof; and, FIG. 6 is a side view thereof.

The elements shown in broken lines illustrate portions of the grill brush attachment that form no part of the claimed design.

**1 Claim, 6 Drawing Sheets**



# US D680,335 S

Page 2

---

## U.S. PATENT DOCUMENTS

D652,629 S *	1/2012	Zemel .....	D4/131	D663,531 S *	7/2012	Zemel .....	D4/131
D654,272 S *	2/2012	Zemel .....	D4/131	D665,178 S *	8/2012	Zemel .....	D4/131
D655,511 S *	3/2012	Zemel .....	D4/131	2007/0199169 A1	8/2007	Vosbikian et al.	
D663,125 S *	7/2012	Zemel .....	D4/131				

\* cited by examiner

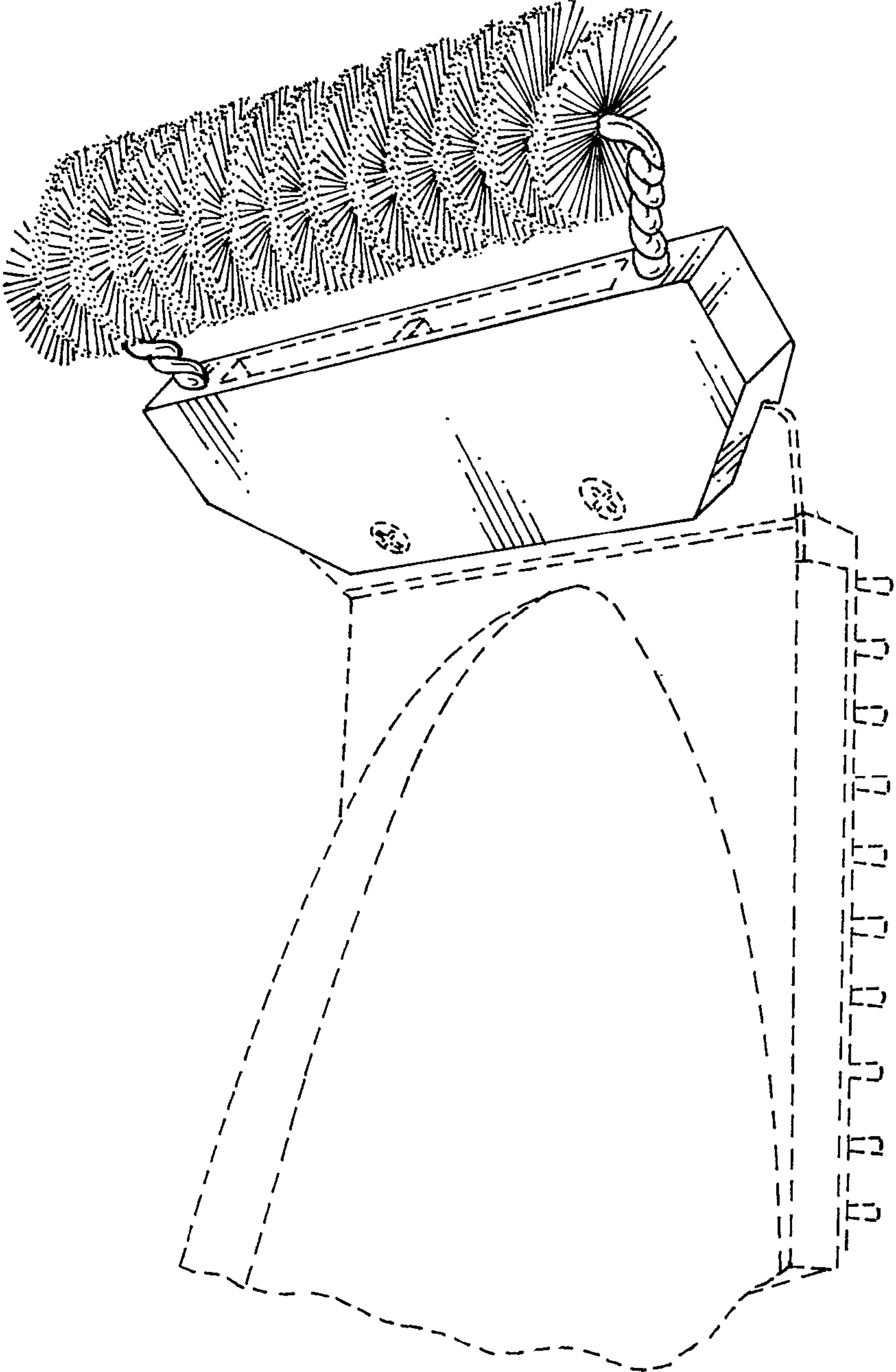
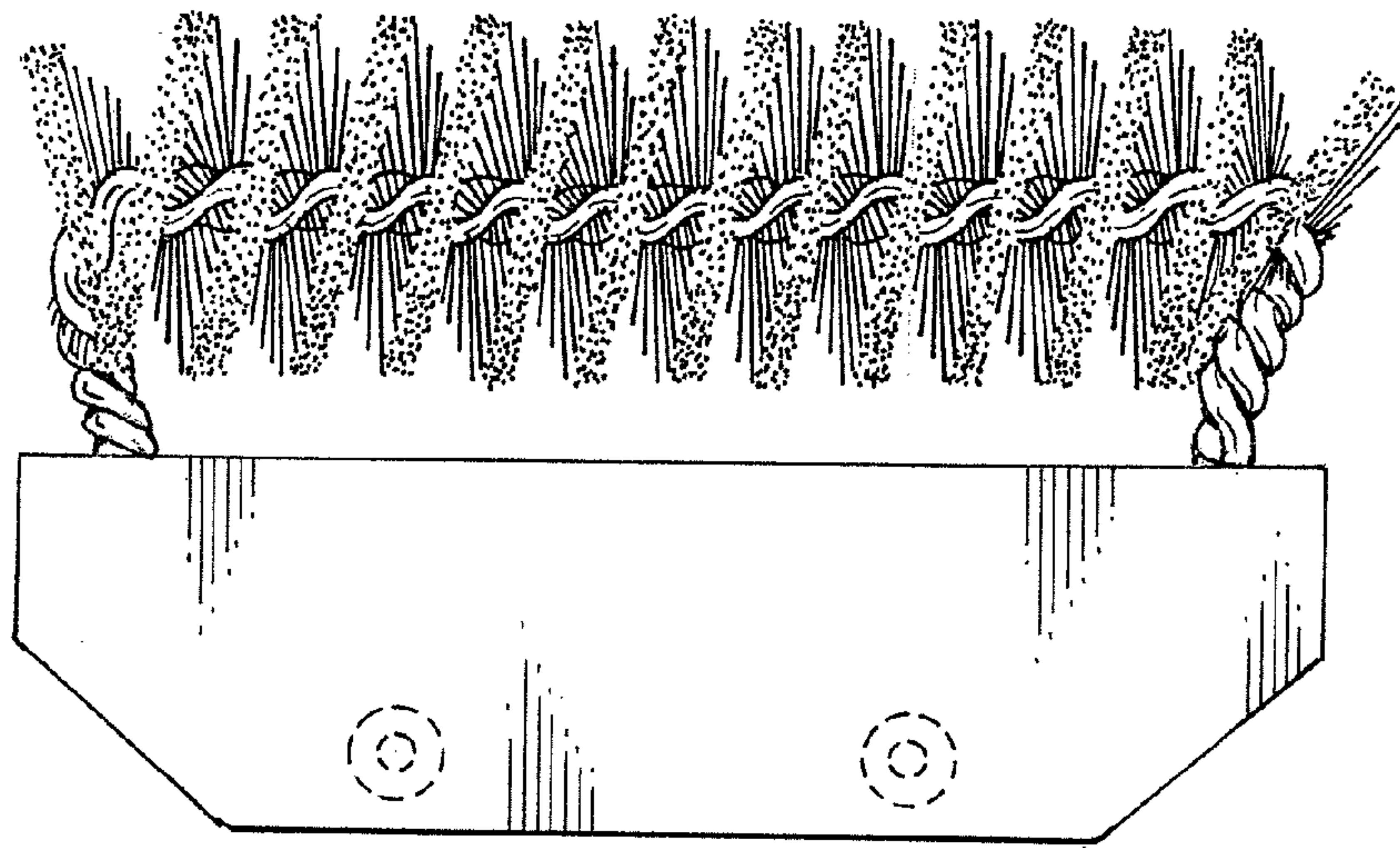
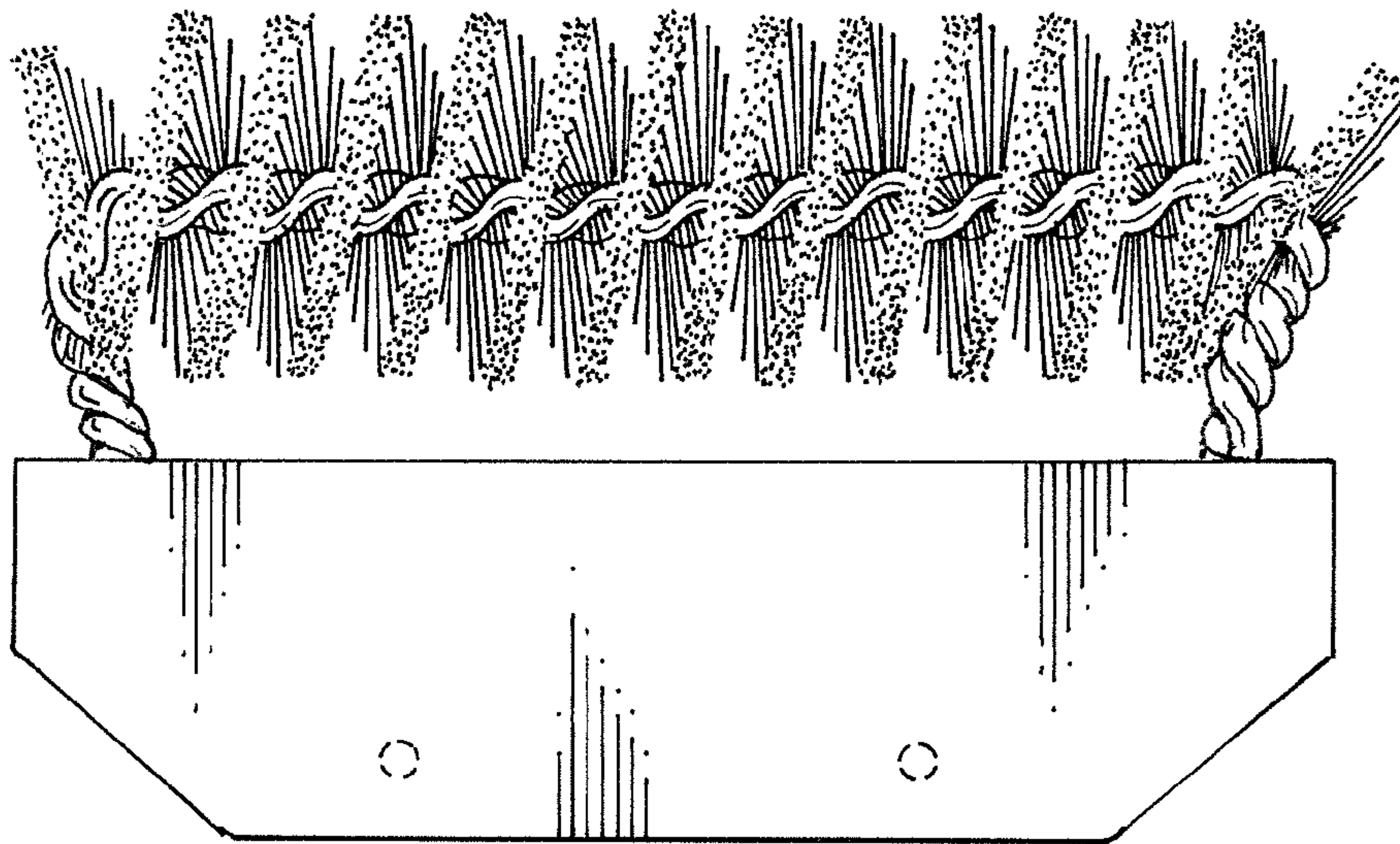


FIG. 1

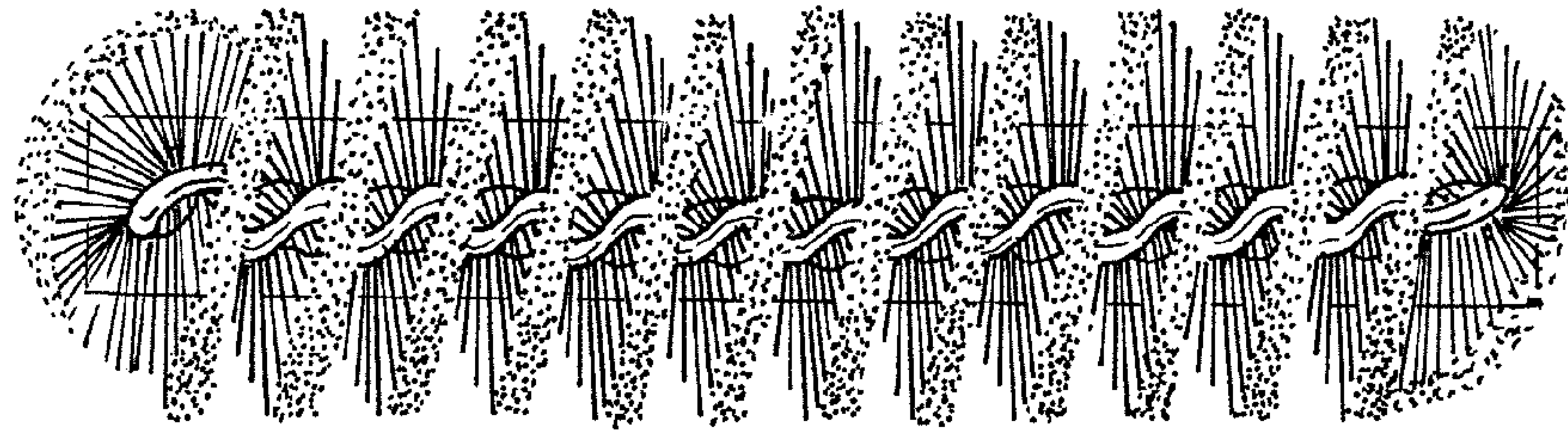


*FIG. 2*

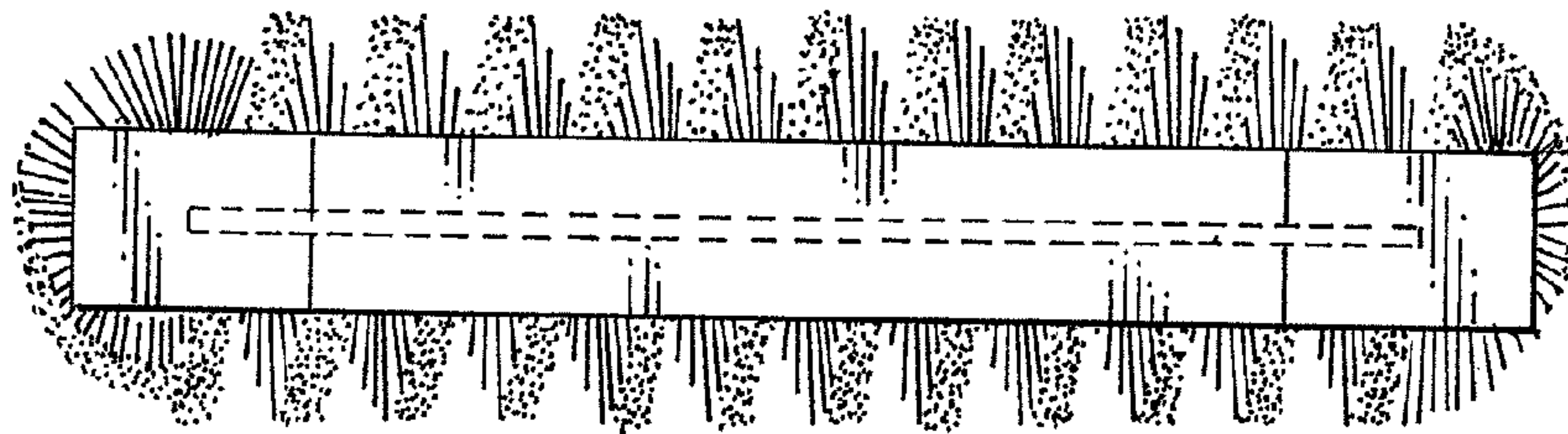




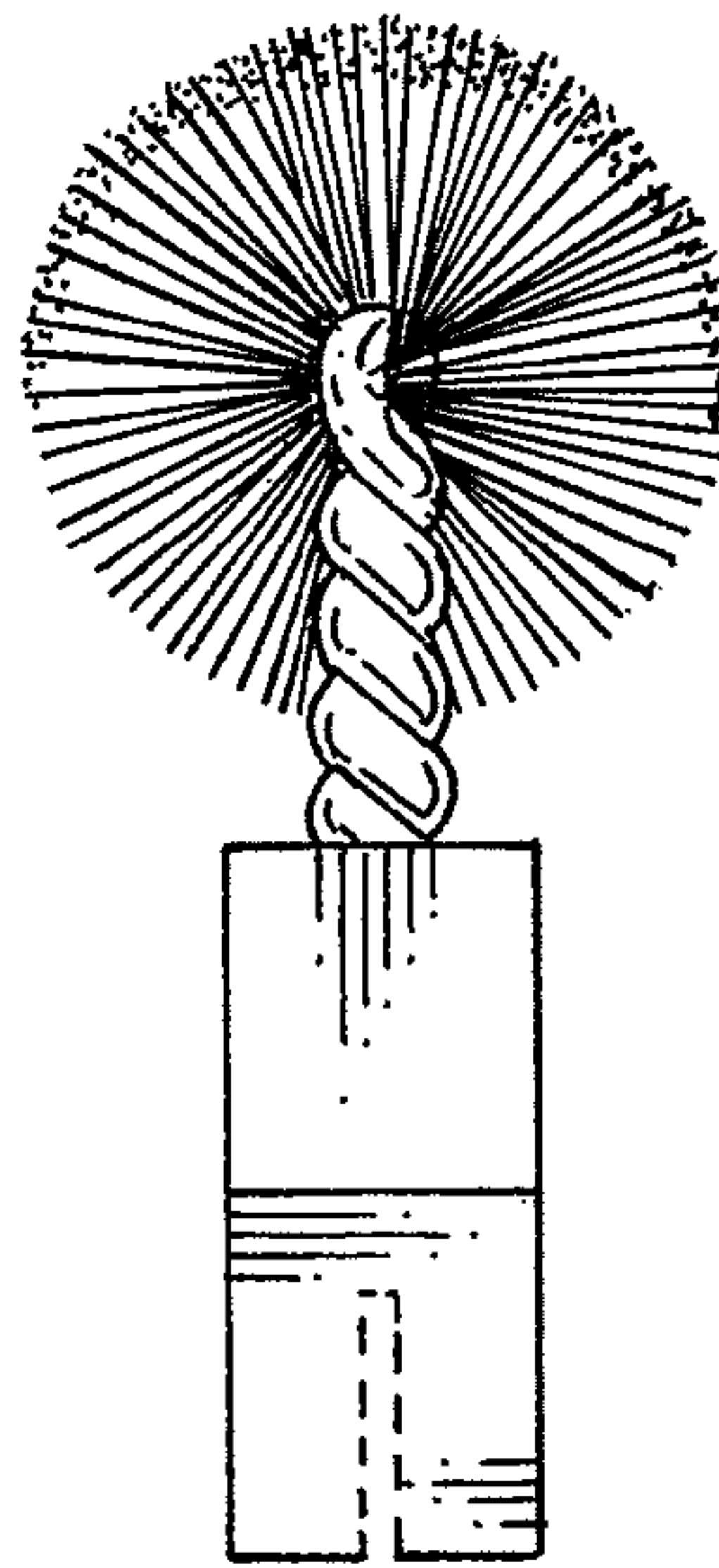
*FIG. 3*



*FIG. 4*



*FIG. 5*



*FIG. 6*