



US00D680333S

(12) **United States Design Patent**  
**Edwards**

(10) **Patent No.:** **US D680,333 S**

(45) **Date of Patent:** **\*\* Apr. 23, 2013**

(54) **TILT BIN FRONT COVER**

D500,718 S \* 1/2005 Meza ..... D12/204

(75) Inventor: **Neil Edwards**, Kernersville, NC (US)

\* cited by examiner

(73) Assignee: **Liberty Hardware Mfg. Corp.**,  
Winston-Salem, NC (US)

*Primary Examiner* — Holly Baynham

(74) *Attorney, Agent, or Firm* — Lora J. Graentzdoerffer;  
Nirav D. Parikh; Edgar A. Zarins

(\*\*) Term: **14 Years**

(57) **CLAIM**

(21) Appl. No.: **29/414,959**

The ornamental design for a tilt bin front cover, as shown and described.

(22) Filed: **Mar. 6, 2012**

**DESCRIPTION**

(51) **LOC (9) Cl.** ..... **03-01**

(52) **U.S. Cl.**  
USPC ..... **D3/318**

(58) **Field of Classification Search** ..... D3/289,  
D3/294, 318; D9/449, 424; 206/308.1, 542  
See application file for complete search history.

FIG. 1 is a perspective view thereof;  
FIG. 2 is a front elevational view thereof;  
FIG. 3 is a left side elevational view thereof;  
FIG. 4 is another perspective view thereof;  
FIG. 5 is a front elevational view thereof;  
FIG. 6 is a right side elevational view thereof;  
FIG. 7 is a bottom plan view thereof; and,  
FIG. 8 is a rear elevational view thereof.

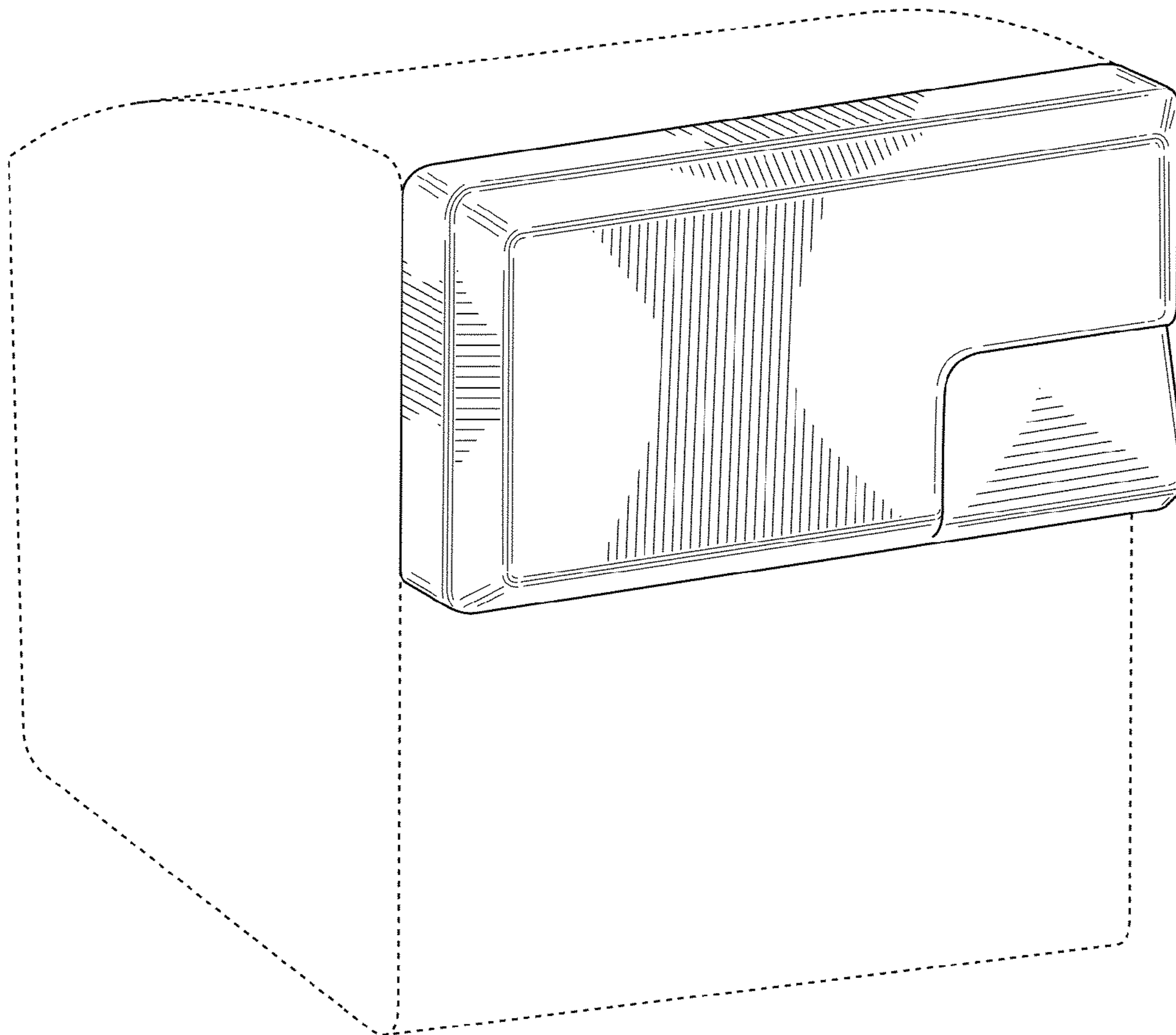
(56) **References Cited**

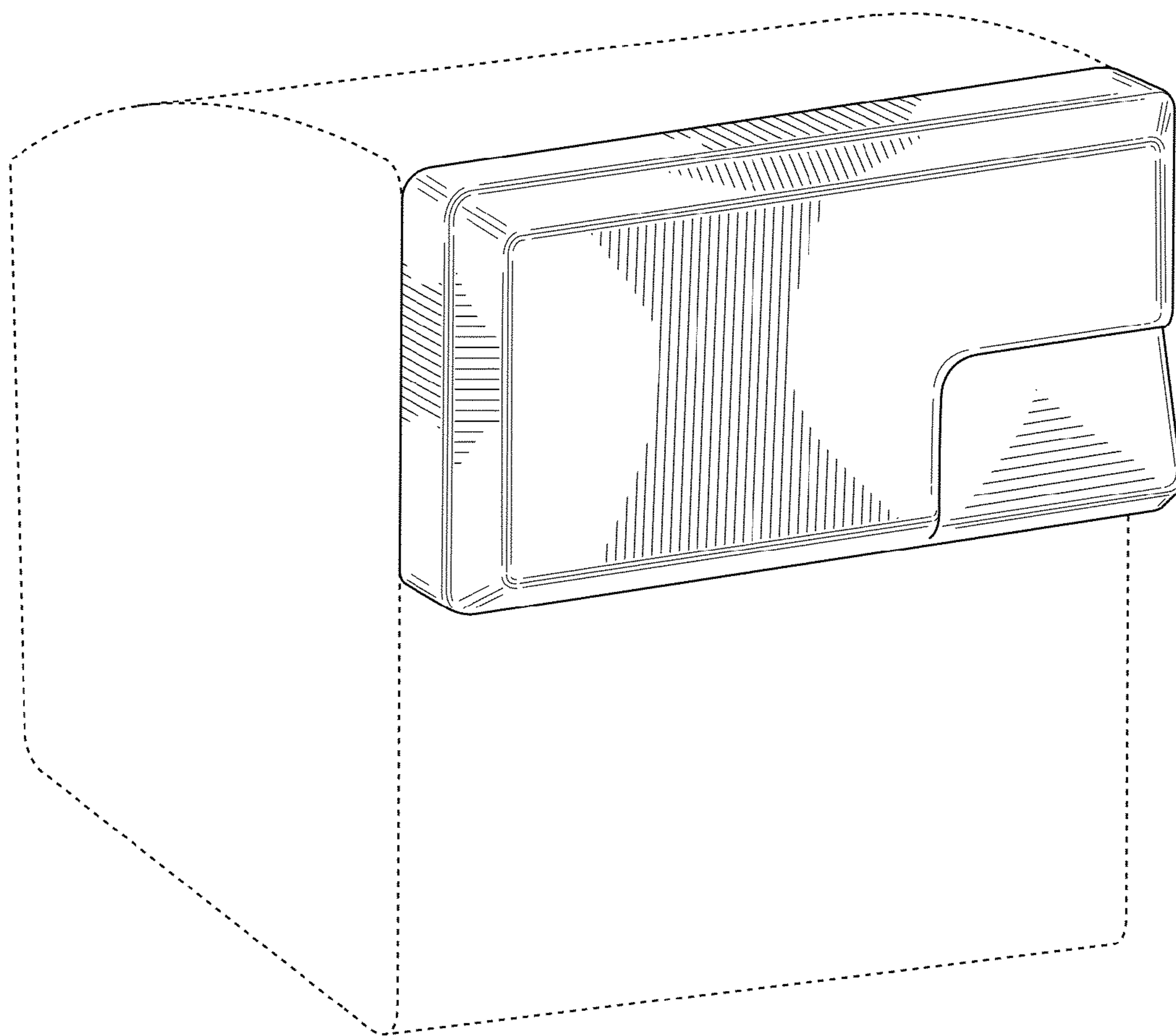
The broken lines showing interior structure are for the purposes of illustrating environment and form no part of the claimed design.

**U.S. PATENT DOCUMENTS**

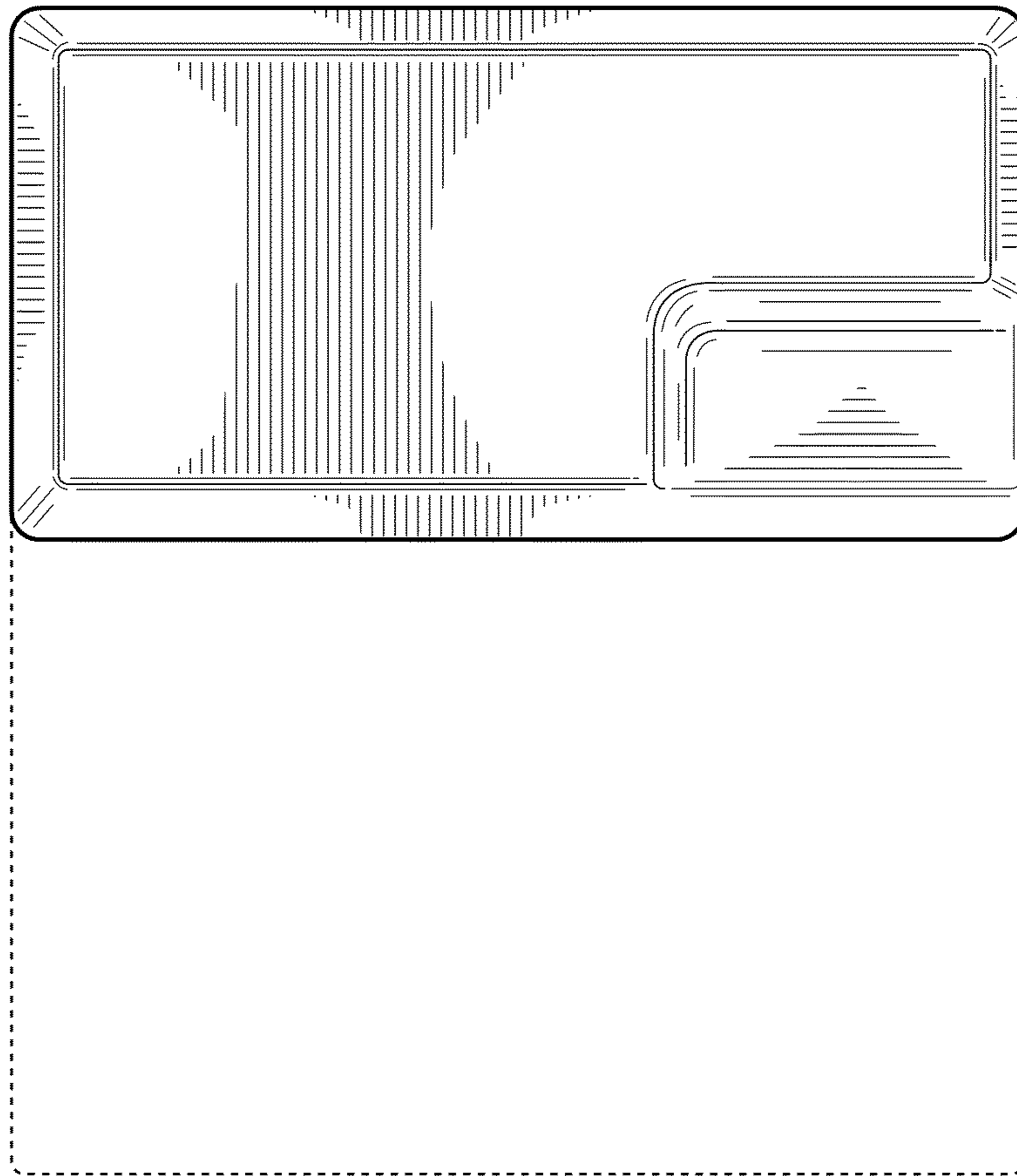
D297,875 S \* 9/1988 Carville ..... D34/11  
D365,901 S \* 1/1996 Kowalski et al. .... D34/11  
D412,265 S \* 7/1999 Hall, Jr. .... D7/392

**1 Claim, 8 Drawing Sheets**

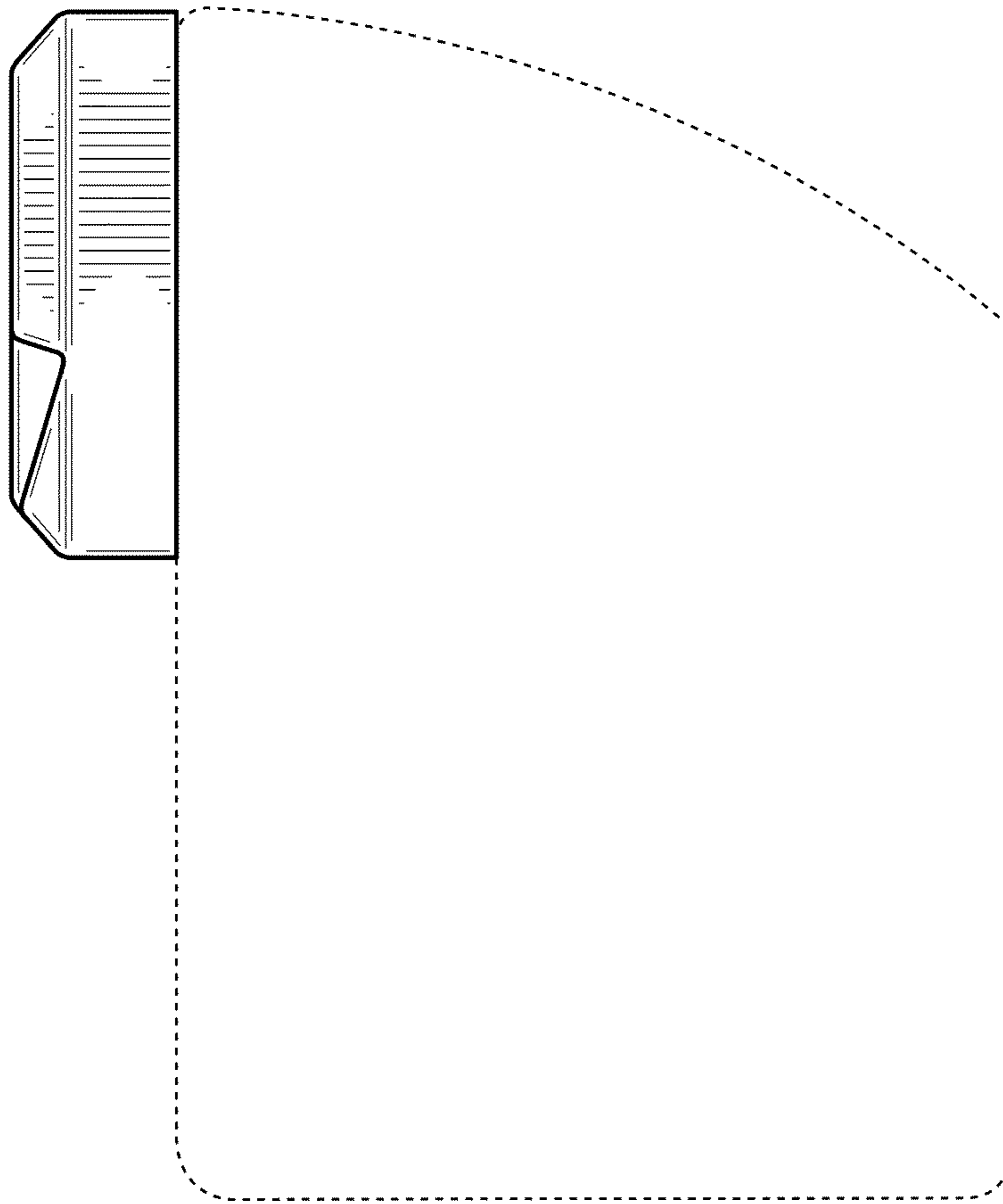




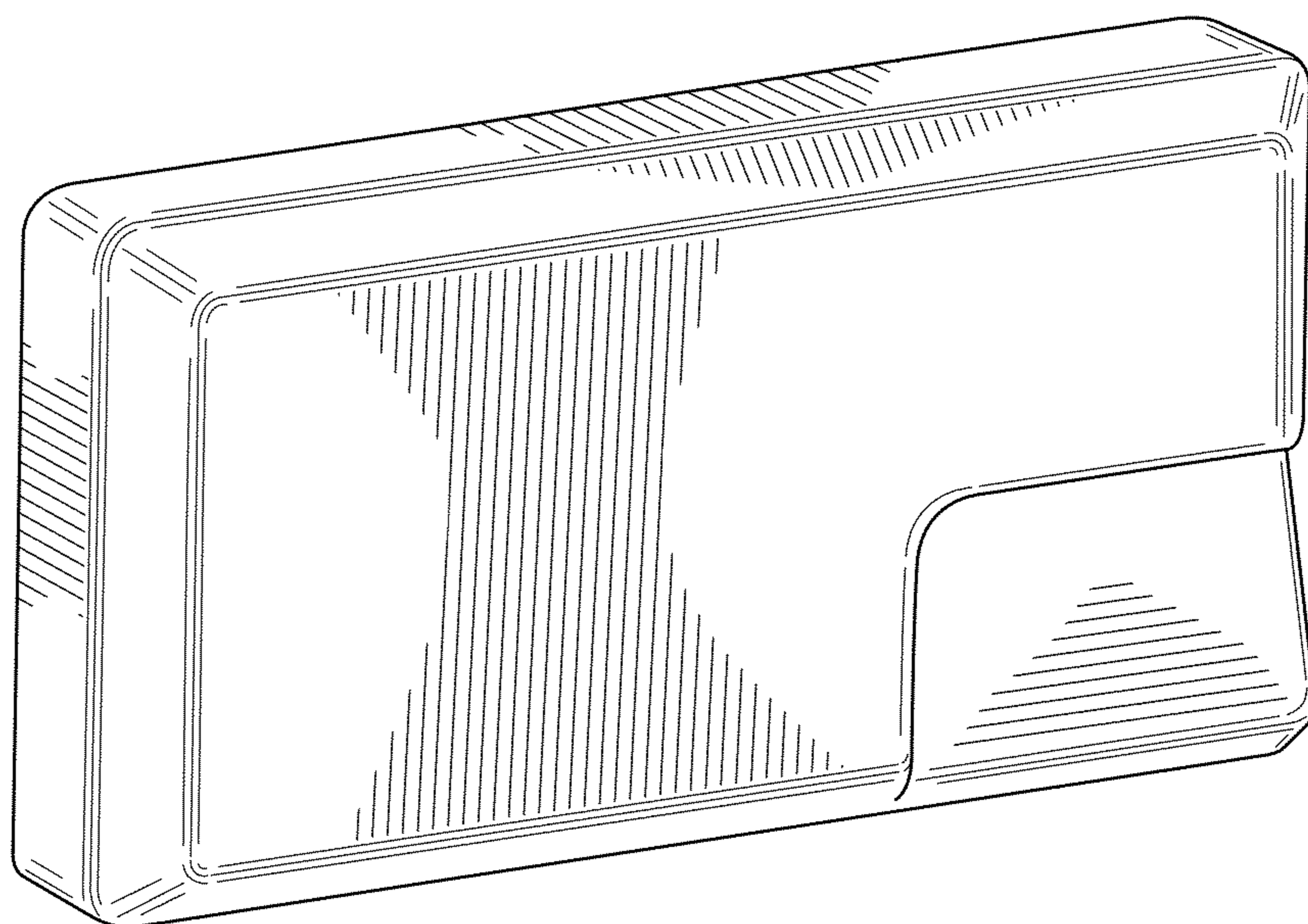
**FIG. 1**



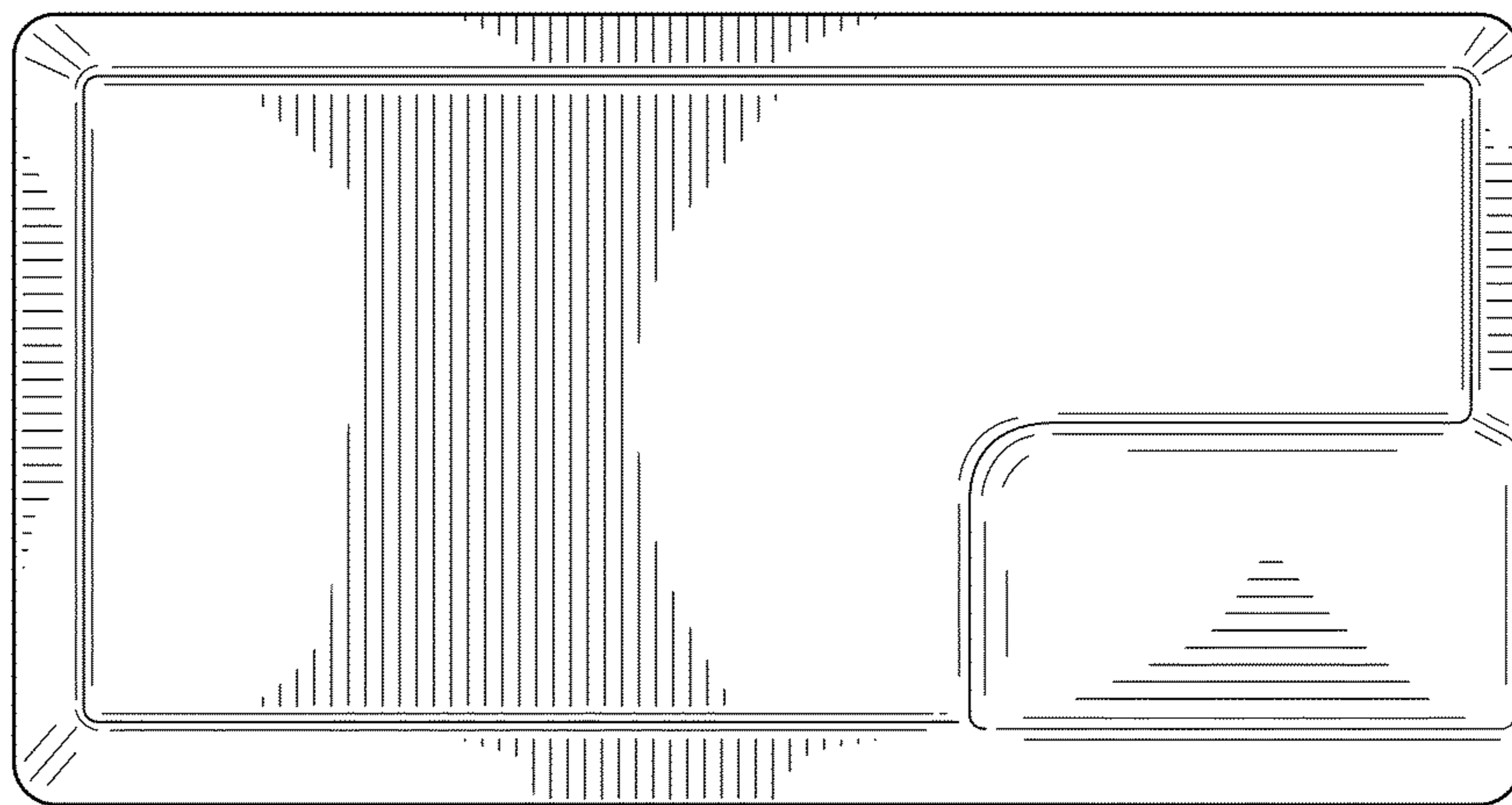
**FIG. 2**



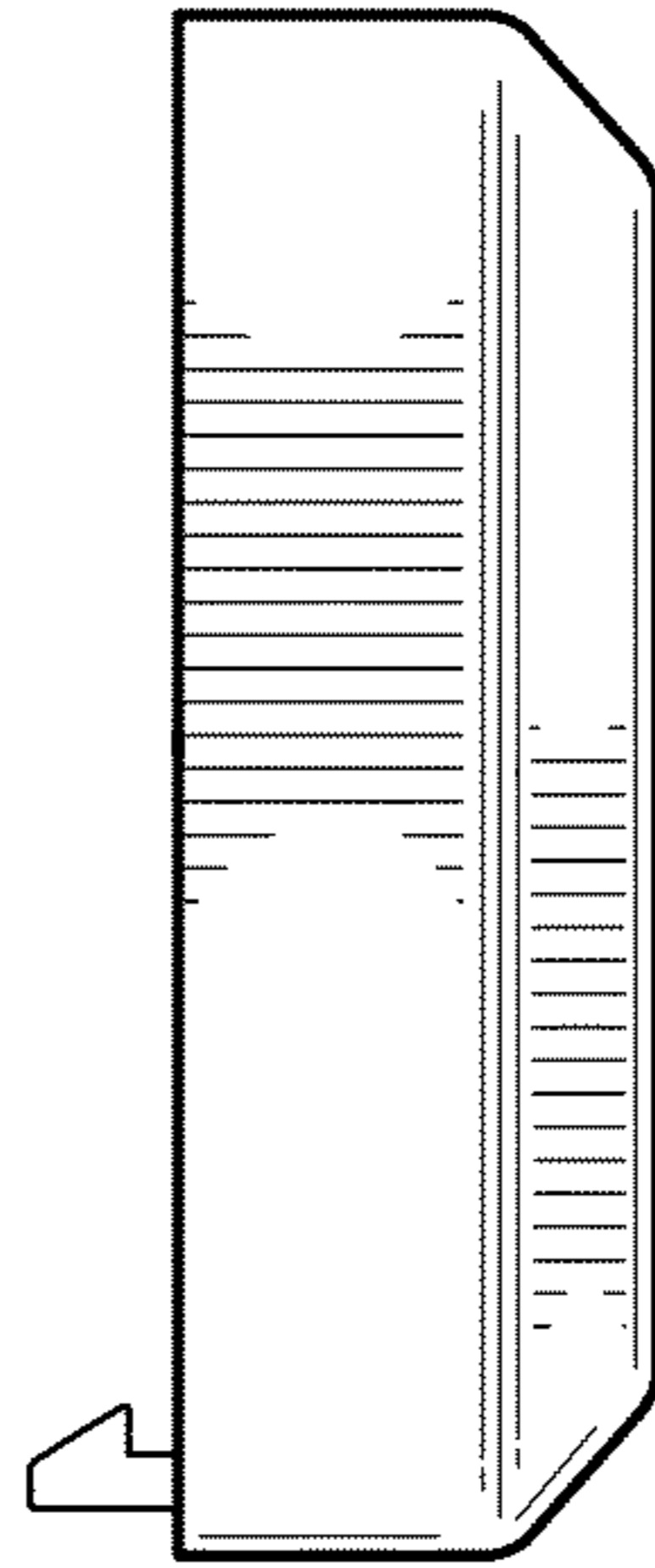
**FIG. 3**



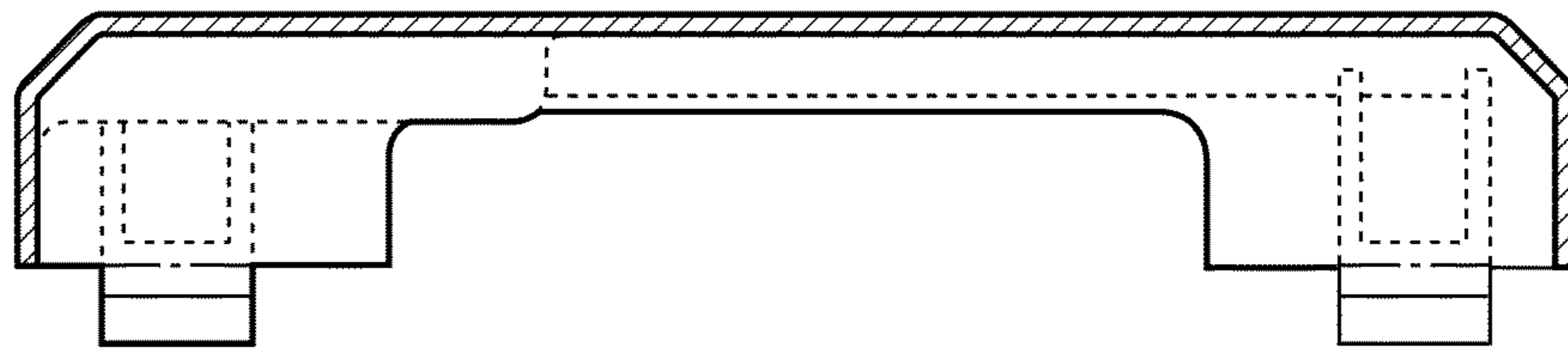
**FIG. 4**



**FIG. 5**

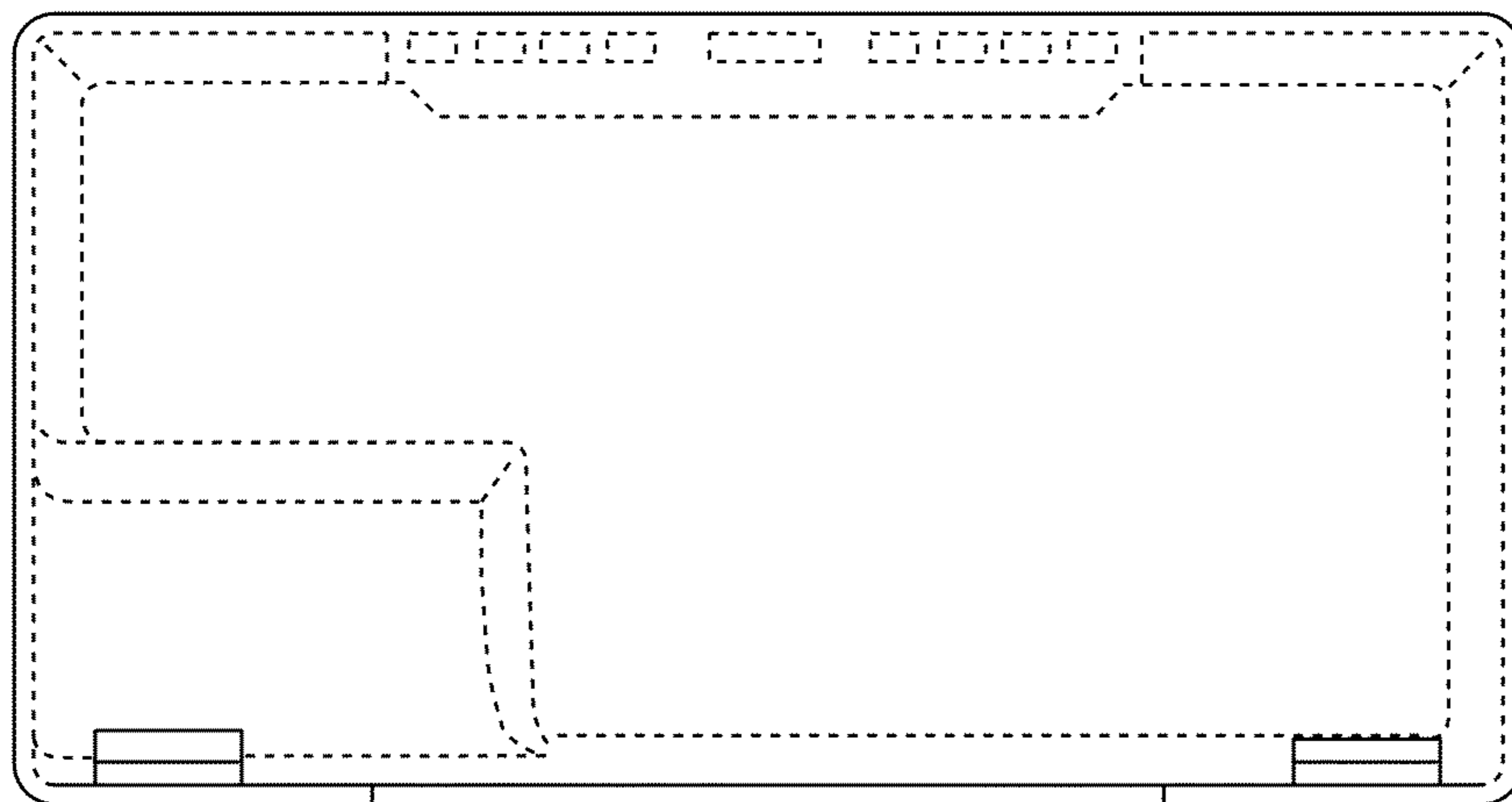


**FIG. 6**



**FIG. 7**





**FIG. 8**