



US00D680331S

(12) **United States Design Patent**  
**Yang**

(10) **Patent No.:** **US D680,331 S**

(45) **Date of Patent:** **\*\* Apr. 23, 2013**

(54) **LED-LIGHTED LUGGAGE**

D505,011 S \* 5/2005 Einav ..... D3/274  
D605,787 S \* 12/2009 Barton et al. .... D26/3

(76) Inventor: **Roger Yang**, Newport Coast, CA (US)

\* cited by examiner

(\*\*) Term: **14 Years**

*Primary Examiner* — Holly Baynham

(21) Appl. No.: **29/398,018**

(74) *Attorney, Agent, or Firm* — Novak Druce Connolly  
Bove + Quigg LLP

(22) Filed: **Jul. 25, 2011**

(57) **CLAIM**

(51) **LOC (9) Cl.** ..... **03-01**

The ornamental design for an LED-lighted luggage, as shown  
and described.

(52) **U.S. Cl.**

USPC ..... **D3/318**

(58) **Field of Classification Search** ..... D3/318,  
D3/274; D26/3, 43, 34, 51, 58; 362/136–137,  
362/570, 565, 551

**DESCRIPTION**

See application file for complete search history.

FIG. 1 is a perspective view of the internal compartment of an  
LED-lighted luggage in which the two sides of the luggage  
are in an open position; and,

FIG. 2 is a front view of the internal compartment of an  
LED-lighted luggage in the open position showing one of the  
two sides in the open position, with the other side being  
identical.

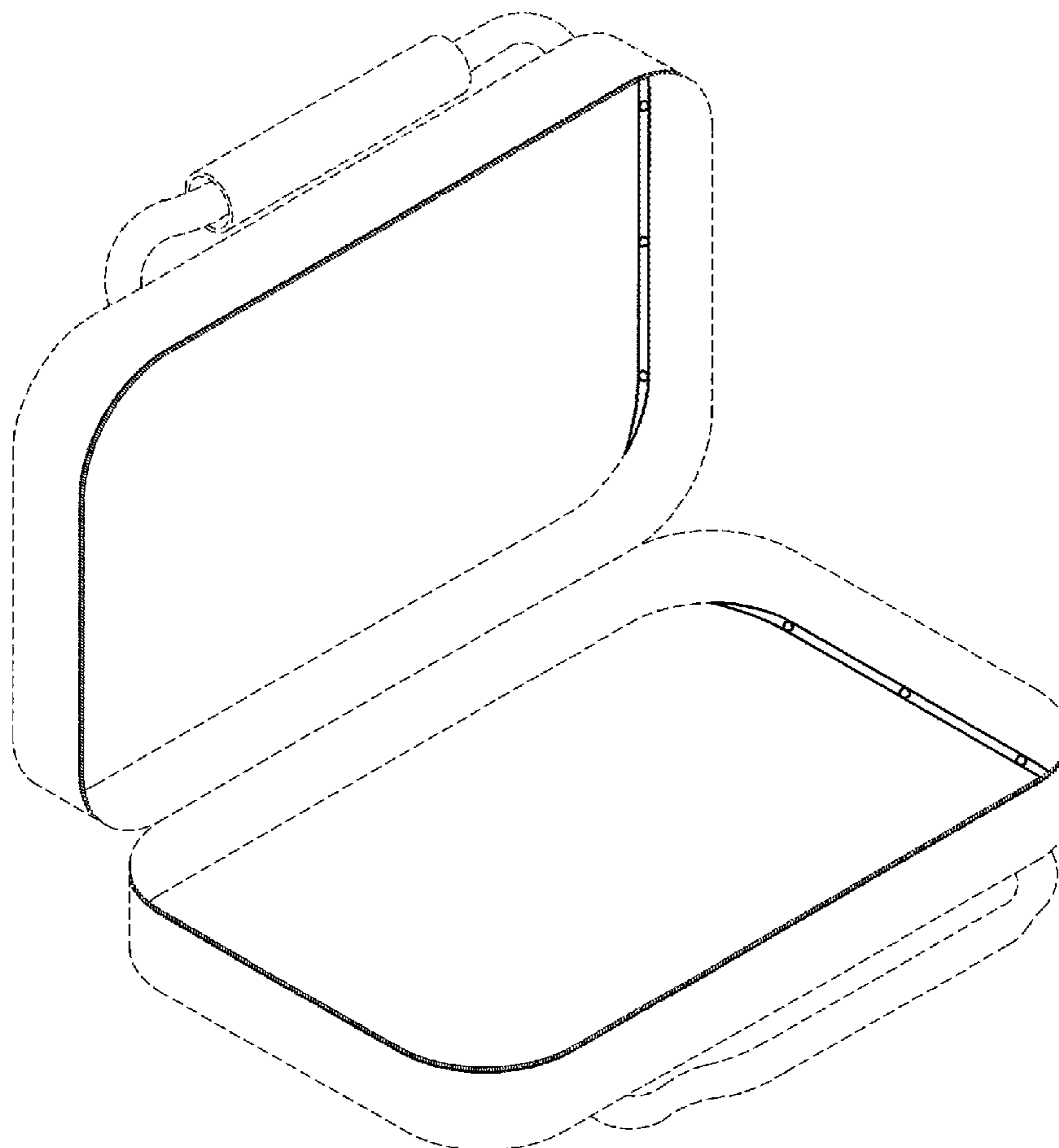
(56) **References Cited**

The broken lines showing a suitcase is for the purposes of  
illustrating environment and forms no part of the claimed  
design.

**U.S. PATENT DOCUMENTS**

D128,658 S *	8/1941	Aber	.....	D3/275
D314,083 S *	1/1991	Hankinson	.....	D3/274
D347,729 S *	6/1994	Bible, Jr.	.....	D3/274
D428,254 S *	7/2000	Alexander-Katz	.....	D3/274
D481,869 S *	11/2003	Chan	.....	D3/274

**1 Claim, 2 Drawing Sheets**



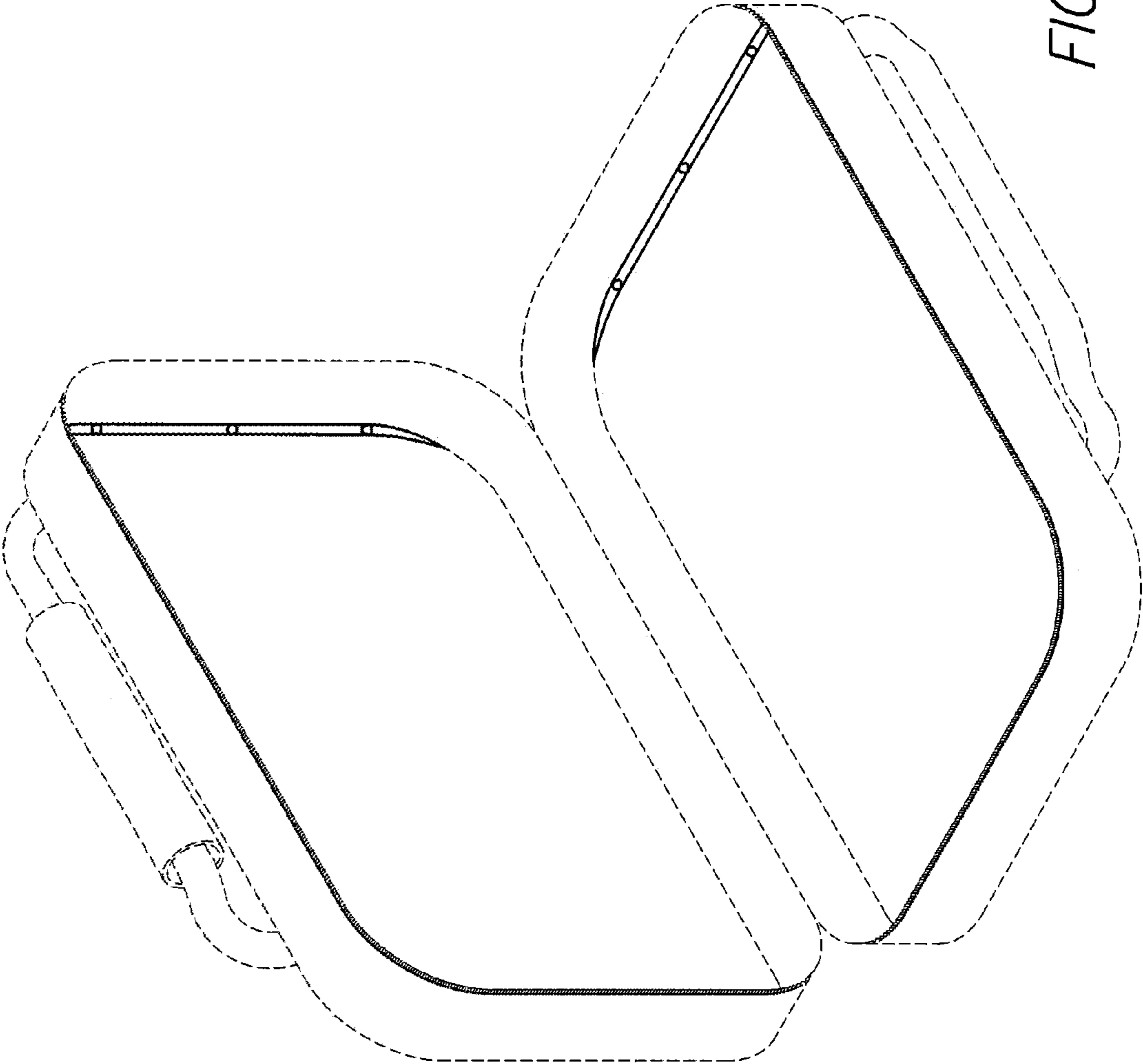


FIG. 1

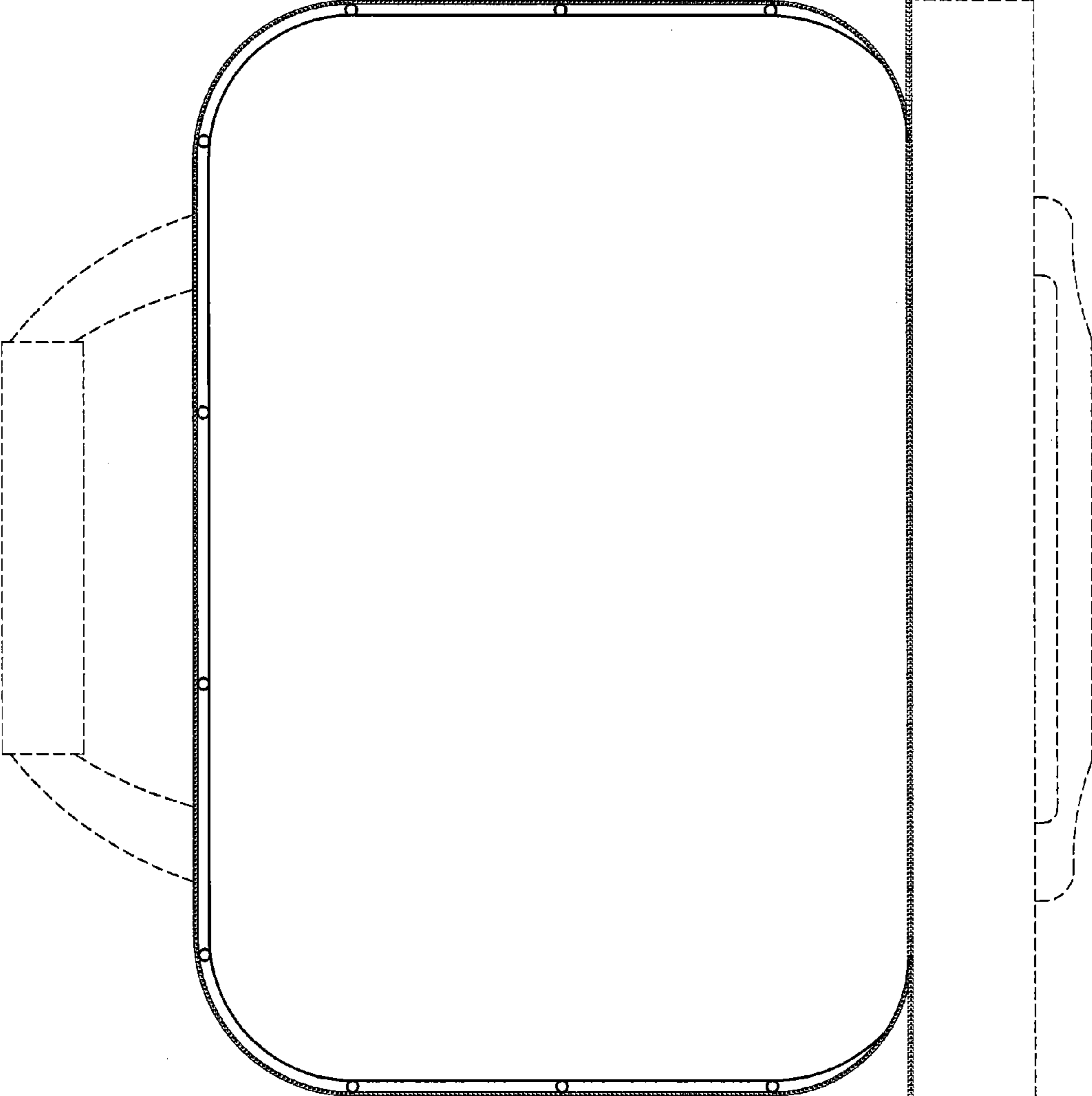


FIG. 2