



US00D680329S

(12) **United States Design Patent**
Krotts

(10) **Patent No.:** **US D680,329 S**

(45) **Date of Patent:** **** Apr. 23, 2013**

(54) **COLLAPSIBLE STRUCTURE**

1,135,892 A 4/1915 Grosenbeck
1,144,643 A 6/1915 Elkins
1,155,475 A 10/1915 Fay

(71) Applicant: **Dean B. Krotts**, Hartland, WI (US)

(Continued)

(72) Inventor: **Dean B. Krotts**, Hartland, WI (US)

FOREIGN PATENT DOCUMENTS

(73) Assignee: **Bayer Design & Marketing, Inc.**,
Waukesha, WI (US)

DE 281680 8/1913
DE 2015649 2/1971

(Continued)

(**) Term: **14 Years**

OTHER PUBLICATIONS

(21) Appl. No.: **29/432,608**

“Magic Maaze” Frongate Mail-Order Catalog, Summer 1995, p. 32.

(22) Filed: **Sep. 18, 2012**

(Continued)

Related U.S. Application Data

(63) Continuation of application No. 29/425,054, filed on Jun. 19, 2012, now abandoned.

Primary Examiner — Kelley Donnelly

(51) **LOC (9) Cl.** **03-01**

(74) *Attorney, Agent, or Firm* — Ryan Kromholz & Manion, S.C.

(52) **U.S. Cl.**

(57) **CLAIM**

USPC **D3/305**

The ornamental design for a collapsible structure, as shown and described.

(58) **Field of Classification Search** D32/35–37;
D3/201, 301, 305, 307, 314, 233, 246; D34/1;
232/43.4, 43.5, 43.2; 220/908–911
See application file for complete search history.

DESCRIPTION

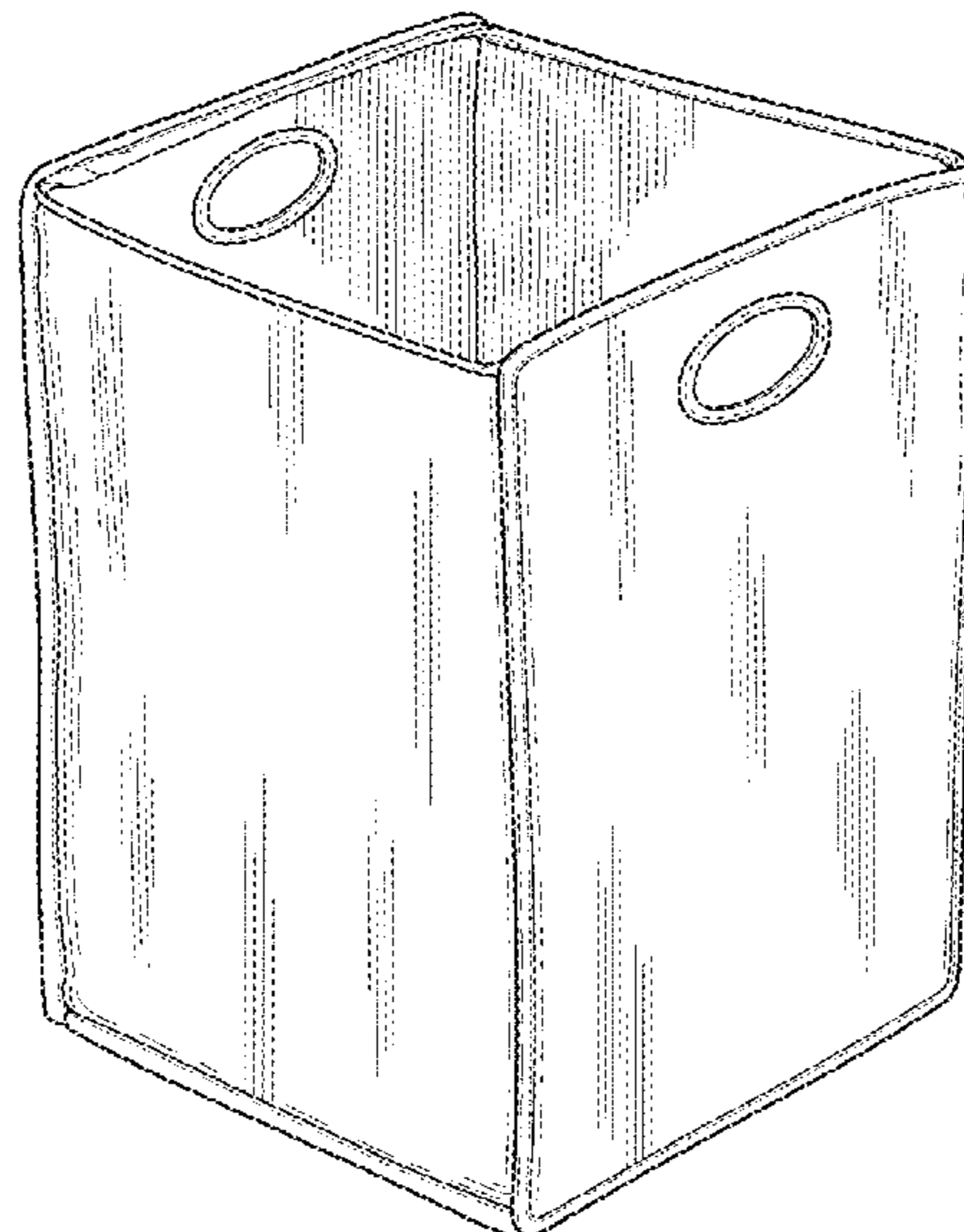
(56) **References Cited**

FIG. 1 is a perspective view of a first embodiment;
FIG. 2 is a right side elevation view, the left side elevation view being identical;
FIG. 3 is a front elevation view, the rear elevation view being identical;
FIG. 4 is a top plan view;
FIG. 5 is a bottom plan view;
FIG. 6 is a perspective view of a second embodiment;
FIG. 7 is a right side elevation view, the left side elevation view being identical;
FIG. 8 is a front elevation view, the rear elevation view being identical;
FIG. 9 is a top plan view; and,
FIG. 10 is a bottom plan view.

U.S. PATENT DOCUMENTS

177,749 A 3/1876 Redden
216,227 A 6/1879 Sedgwick
217,362 A 7/1879 Gardner
218,277 A 8/1879 Kilham
288,654 A 11/1883 Morse
338,892 A 3/1886 Walker
344,340 A 6/1886 Barrow
356,301 A 1/1887 Belknap
414,622 A 11/1889 Willits
929,430 A 7/1909 Hill
975,745 A 11/1910 Bower
1,087,702 A 2/1914 Van Patten

1 Claim, 4 Drawing Sheets



US D680,329 S

Page 2

U.S. PATENT DOCUMENTS					
1,167,497 A	1/1916	Hayes	3,675,981 A	7/1972	Mallander
1,180,574 A	4/1916	Despot	3,696,850 A	10/1972	Rosenblum
1,181,829 A	5/1916	Bower	3,709,237 A	1/1973	Smith
1,206,618 A	11/1916	Thrasher	3,727,786 A	4/1973	Fausel
1,251,560 A	1/1918	Myskow	3,732,978 A	5/1973	Reader
1,263,294 A	4/1918	Taylor	3,733,758 A	5/1973	Maier et al.
1,308,268 A	7/1919	Wagner et al.	3,796,342 A	3/1974	Sanders et al.
1,360,844 A	11/1920	Williams	3,799,384 A	3/1974	Hurkamp
1,394,007 A	10/1921	Hall	3,807,421 A	4/1974	Geiger et al.
1,451,468 A	4/1923	Olshan	3,834,528 A	9/1974	Pickford et al.
1,520,532 A	12/1924	Clark	3,843,222 A	10/1974	Berkun
1,538,260 A	5/1925	Street et al.	3,868,155 A	2/1975	Cherubini
1,581,888 A	4/1926	Thomas	3,880,459 A	4/1975	Kelley
1,583,083 A	5/1926	Macaraig	3,883,026 A	5/1975	Selz
1,640,083 A	8/1927	Ladd	3,893,649 A	7/1975	Cornell et al.
1,647,679 A	11/1927	Williams	3,935,958 A	2/1976	Frangos
1,691,904 A	11/1928	Gamble	3,946,903 A	3/1976	Parker
1,703,066 A	2/1929	Horn	3,955,706 A	5/1976	Whitaker
1,832,715 A	11/1931	London	3,960,161 A	6/1976	Norman
1,836,297 A	12/1931	Vienna	3,987,580 A	10/1976	Ausnit
1,979,978 A	11/1934	Martin	3,990,463 A	11/1976	Norman
1,994,235 A	3/1935	Solomon	4,010,784 A	3/1977	Natras et al.
1,999,424 A	4/1935	Seitz	4,011,611 A	3/1977	Lederman
2,009,035 A	7/1935	Towers	4,055,239 A	10/1977	Weiner
2,016,520 A	10/1935	Short	4,073,105 A	2/1978	Daugherty
2,042,888 A	6/1936	Flood	4,094,639 A	6/1978	McMillan
2,057,942 A	10/1936	Fay	4,118,089 A	10/1978	Johnson et al.
2,071,850 A	2/1937	Miller	4,134,225 A	1/1979	Welch
2,115,308 A	4/1938	Koch	4,165,757 A	8/1979	Marks
2,136,761 A	11/1938	Simmons	4,170,082 A	10/1979	Freedman
2,182,932 A	12/1939	Sanford	4,180,113 A	12/1979	Liebling
2,269,574 A	1/1942	Benenfeld	4,195,804 A	4/1980	Hujsak et al.
2,280,601 A	4/1942	Otter	4,212,130 A	7/1980	Walker
2,295,584 A	9/1942	Larson	4,212,377 A	7/1980	Weinreb
2,298,786 A	10/1942	Dubofsky et al.	4,246,945 A	1/1981	Sterling
2,361,743 A	10/1944	Butler	4,248,278 A	2/1981	Blodgett
2,517,757 A	8/1950	Alderstein	4,248,442 A	2/1981	Barrett
2,544,074 A	3/1951	Ernst et al.	4,287,701 A	9/1981	Washington
2,575,893 A	11/1951	Seaman	4,299,365 A	11/1981	Battle
2,600,501 A	6/1952	Higgs	4,304,068 A	12/1981	Beder
2,625,973 A	1/1953	Weldon et al.	4,313,634 A	2/1982	Williams
2,639,819 A	5/1953	Marks	4,352,457 A	10/1982	Weick
2,664,131 A	12/1953	Miller	4,388,739 A	6/1983	Martinon et al.
2,710,084 A	6/1955	Braverman	4,401,213 A	8/1983	Lerner
2,721,099 A	10/1955	Rupp	D270,939 S	10/1983	Stehlik
2,724,537 A	11/1955	Fehr	4,411,300 A	10/1983	Rico
2,746,582 A	5/1956	Cart	4,427,110 A	1/1984	Shaw, Jr.
2,761,480 A	9/1956	Tames	4,428,484 A	1/1984	Rattay et al.
2,767,757 A	10/1956	Marder	D274,662 S	7/1984	Fausel
2,778,560 A	1/1957	Pfeiffer	4,485,855 A	12/1984	Dillingham
2,780,402 A	2/1957	Zucker et al.	D279,249 S	6/1985	Fausel
2,833,460 A	5/1958	Votolato	4,550,440 A	10/1985	Rico
2,879,553 A	3/1959	Keating	4,580,776 A	4/1986	Burkinshaw
2,958,357 A	11/1960	Vorgan	4,585,283 A	4/1986	Redmon et al.
3,014,516 A	12/1961	Mueller	4,603,432 A	7/1986	Marino
3,017,117 A	1/1962	Klingler	4,610,394 A	9/1986	Bryson
3,061,396 A	10/1962	Hock	4,630,312 A	12/1986	Milstein
3,105,505 A	10/1963	Maybee	4,630,747 A	12/1986	Chiang et al.
3,126,933 A	3/1964	Mason et al.	4,632,138 A	12/1986	Irwin
3,160,307 A	12/1964	Morrison	D288,019 S	1/1987	Gebhard et al.
3,233,644 A	2/1966	Bono	4,635,411 A	1/1987	Kurzen
3,257,077 A	6/1966	Corning	4,642,934 A	2/1987	Carlson et al.
3,260,396 A	7/1966	Buch	4,646,802 A	3/1987	Basore et al.
3,265,284 A	8/1966	Tompkins	D290,538 S	6/1987	Basore
3,310,089 A	3/1967	Silverman	4,683,927 A	8/1987	Pyzer
3,354,924 A	11/1967	Birrell et al.	4,697,357 A	10/1987	Van Vliet
3,373,925 A	3/1968	Gatward	4,706,845 A	11/1987	Schnurer et al.
3,410,328 A	11/1968	Sasai	4,715,572 A	12/1987	Robbins, III et al.
D213,131 S	1/1969	Hamilton	4,716,918 A	1/1988	Hayashida et al.
3,434,589 A	3/1969	Valtri et al.	4,728,066 A	3/1988	Lang et al.
3,439,865 A	4/1969	Port et al.	4,730,748 A	3/1988	Bane
D215,846 S	11/1969	Curtin et al.	4,738,478 A	4/1988	Bean, Jr.
3,480,059 A	11/1969	Schoening	4,747,701 A	5/1988	Perkins
3,502,091 A	3/1970	Corbin	4,752,008 A	6/1988	Pratt
3,583,748 A	6/1971	Arndt	4,759,518 A	7/1988	Yardas
3,603,367 A	9/1971	Lehrman	4,779,794 A	10/1988	Moore
3,661,326 A	5/1972	Wilson	4,781,300 A	11/1988	Long
3,675,667 A	7/1972	Miller	4,783,031 A	11/1988	Ebentheuer
			4,784,248 A	11/1988	Workman

US D680,329 S

4,790,029 A	12/1988	LaFleur et al.	5,746,514 A	5/1998	Orensten
4,812,054 A	3/1989	Kirkendall	5,762,530 A	6/1998	Zheng
4,813,520 A	3/1989	Lin	5,778,915 A	7/1998	Zheng
4,815,784 A	3/1989	Zheng	D397,756 S	9/1998	Hagerty
4,825,892 A	5/1989	Norman	5,800,067 A	9/1998	Easter
4,842,032 A	6/1989	Mastronardo	5,816,279 A	10/1998	Zheng
4,854,501 A	8/1989	Ricci	5,816,954 A	10/1998	Zheng
4,858,561 A	8/1989	Springer	5,827,104 A	10/1998	Zheng
4,858,634 A	8/1989	McLese	5,845,697 A	12/1998	Zheng
4,862,602 A	9/1989	Krill	5,853,313 A	12/1998	Zheng
4,895,230 A	1/1990	King	D406,423 S	3/1999	Kellogg et al.
4,899,967 A	2/1990	Johnson	D407,765 S	4/1999	Zheng
4,903,584 A	2/1990	Styles	5,901,926 A	5/1999	Zheng
4,925,102 A	5/1990	Jones et al.	5,906,290 A	5/1999	Haberkorn
4,940,200 A	7/1990	Sawyer et al.	5,910,038 A	6/1999	Zheng
4,946,118 A	8/1990	Hastings	5,910,058 A	6/1999	Zheng
4,948,077 A	8/1990	Gonzalez	5,927,793 A	7/1999	McGrath, Jr.
4,951,333 A	8/1990	Kaiser et al.	5,938,496 A	8/1999	Zheng
4,953,815 A	9/1990	Beymer et al.	5,941,265 A	8/1999	Zheng
4,964,859 A	10/1990	Feldman	5,964,533 A	10/1999	Ziglar
4,989,749 A	2/1991	Choi	5,967,357 A	10/1999	Kellogg et al.
4,995,487 A	2/1991	Plath	5,971,188 A	10/1999	Kellogg et al.
D315,432 S	3/1991	Smith	5,971,410 A	10/1999	Nichols
5,007,250 A	4/1991	Musielak	5,975,101 A	11/1999	Zheng
5,009,189 A	4/1991	Neff	5,992,045 A	11/1999	Kellogg et al.
5,011,008 A	4/1991	Baker	5,992,676 A	11/1999	Tsai
5,022,767 A	6/1991	Cardulla	D417,977 S *	12/1999	Veto D6/465
5,024,262 A	6/1991	Huang	6,006,772 A	12/1999	Zheng
5,027,748 A	7/1991	Wolak	6,059,912 A *	5/2000	Kellogg et al. 156/217
5,031,277 A	7/1991	Coker	6,082,574 A	7/2000	Johnson
5,031,793 A	7/1991	Chen et al.	6,088,953 A	7/2000	Morgan
5,035,460 A	7/1991	Huang	6,089,394 A	7/2000	Ziglar
5,036,999 A	8/1991	Bitsch	6,102,569 A	8/2000	Wang
5,038,812 A	8/1991	Norman	6,109,281 A	8/2000	Lowenthal
5,054,507 A	10/1991	Sparks	D431,361 S	10/2000	Kellogg et al.
5,072,828 A	12/1991	Irvine	D433,810 S	11/2000	Kellogg et al.
5,082,219 A	1/1992	Blair	D438,009 S	2/2001	Kellogg et al.
5,090,588 A	2/1992	Van Romer et al.	6,209,557 B1	4/2001	Zheng
RE33,842 E	3/1992	Ebentheuer	6,220,998 B1	4/2001	Kellogg et al.
5,116,138 A	5/1992	Macsenti et al.	6,269,826 B1	8/2001	Zheng
5,118,201 A	6/1992	Cook	D449,447 S	10/2001	Kellogg et al.
5,134,815 A	8/1992	Pickett	6,305,396 B1	10/2001	Zheng
5,143,283 A	9/1992	Lancaster	6,311,709 B1	11/2001	Louie et al.
5,174,462 A	12/1992	Hames	6,360,760 B1	3/2002	Louie et al.
5,195,649 A	3/1993	Wolters	6,360,761 B1	3/2002	Zheng
5,213,147 A	5/1993	Zheng	6,363,955 B1	4/2002	Louie
5,253,775 A	10/1993	Gould	6,390,111 B2	5/2002	Zheng
5,263,672 A	11/1993	He	D461,638 S	8/2002	Kellogg et al.
5,273,142 A	12/1993	Weber	RE37,924 E	12/2002	Kellogg et al.
5,301,705 A	4/1994	Zheng	6,494,335 B1	12/2002	Kellogg et al.
5,316,060 A	5/1994	Hodgdon et al.	6,502,595 B2	1/2003	Louie
5,320,065 A	6/1994	Leopold	6,527,136 B1	3/2003	Sabounjian
5,324,490 A	6/1994	Van Vlahakis et al.	6,585,414 B2	7/2003	Peska
5,335,805 A	8/1994	Chen	6,604,537 B2	8/2003	Zheng
5,343,887 A	9/1994	Danaher	6,668,847 B2	12/2003	Zheng
5,356,024 A	10/1994	Ho et al.	6,702,119 B2	3/2004	Sabounjian
5,358,440 A	10/1994	Zheng	6,705,338 B2	3/2004	Zheng
5,375,267 A	12/1994	Davis	6,708,742 B2	3/2004	Weathers et al.
5,382,087 A	1/1995	Pouch	D494,367 S	8/2004	Yang
5,393,023 A	2/1995	Callan	6,782,905 B2	8/2004	Chu et al.
5,411,046 A	5/1995	Wan	RE38,591 E	9/2004	Kellogg et al.
5,429,437 A	7/1995	Shaw et al.	6,848,460 B2	2/2005	Zheng
5,437,384 A	8/1995	Farrell	6,874,797 B2	4/2005	Gardenour
5,437,410 A	8/1995	Babasade	6,926,020 B2	8/2005	Zheng
5,449,083 A	9/1995	Dougherty et al.	6,948,632 B2	9/2005	Kellogg et al.
5,464,113 A	11/1995	Ho et al.	6,974,167 B2	12/2005	Springs, II
5,468,061 A	11/1995	Fries et al.	6,983,965 B1	1/2006	Bergell
5,472,280 A	12/1995	Rittmaster	6,997,338 B2	2/2006	Sabounjian
5,474,196 A	12/1995	Fausel et al.	7,014,096 B2	3/2006	Hinds
5,484,078 A	1/1996	Bronovicki	D519,280 S	4/2006	Kellogg et al.
5,492,675 A	2/1996	Brizard	7,044,277 B2	5/2006	Redzisz
5,560,385 A	10/1996	Zheng	7,066,647 B2	6/2006	Peska
5,576,621 A	11/1996	Clements	7,077,147 B2	7/2006	Louie et al.
5,593,046 A	1/1997	Katsuura et al.	7,111,634 B2	9/2006	Louie
5,620,069 A	4/1997	Hurwitz	7,137,399 B1	11/2006	Ransom et al.
5,664,596 A	9/1997	Zheng	7,143,553 B2	12/2006	Fritsche et al.
5,664,886 A	9/1997	Hutchinson	D536,872 S	2/2007	Kellogg et al.
5,671,479 A	9/1997	Dedrick	7,178,538 B2	2/2007	Ransom
5,722,446 A	3/1998	Zheng	D547,950 S	8/2007	Kellogg et al.

US D680,329 S

Page 4

D551,452 S	9/2007	Kellogg et al.	
D555,854 S	11/2007	Kamiya	
D555,905 S	11/2007	Kellogg et al.	
7,472,715 B2	1/2009	Zheng	
7,484,520 B2	2/2009	Zheng	
7,607,446 B2	10/2009	Zheng	
D610,352 S	2/2010	Kellogg et al.	
D612,117 S	3/2010	Krotts et al.	
7,703,228 B2	4/2010	Zheng	
D622,960 S	9/2010	Sabounjian	
D625,891 S	10/2010	Krotts et al.	
7,845,507 B2	12/2010	Kellogg et al.	
D661,900 S	6/2012	Krotts	
2002/0112753 A1 *	8/2002	Louie	135/125
2003/0213511 A1	11/2003	Louie	
2003/0221924 A1	12/2003	Tong	
2004/0129307 A1	7/2004	Louie et al.	
2006/0112621 A1	6/2006	White	
2006/0186119 A1	8/2006	Zheng	
2007/0079548 A1	4/2007	Bakowski	
2009/0090709 A1	4/2009	Shalomoff	

FOREIGN PATENT DOCUMENTS

DE	30 13 178	4/1980
DE	41 14 916	11/1991

FR	589062	5/1925
FR	1215335	11/1959
FR	1380728	10/1964
FR	1380738	2/1990
FR	2635136	2/1990
GB	1367	0/1871
GB	5939	0/1915
GB	140570	4/1920
GB	2097244 A	11/1982
GB	2126535	3/1984
GB	2212114	7/1989
JP	6-42227	2/1994

OTHER PUBLICATIONS

Playhut brochure, date unknown.

Eileen Edinger letter, dated May 25, 1993.

Eileen Edinger Douglas letter, dated Aug. 26, 1996.

Patent Application re: prior art product sold in U.S. By Stephen A. Fausel and Paul S. Ziglar; specification for Collapsible Furniture, Jun. 1985.

* cited by examiner

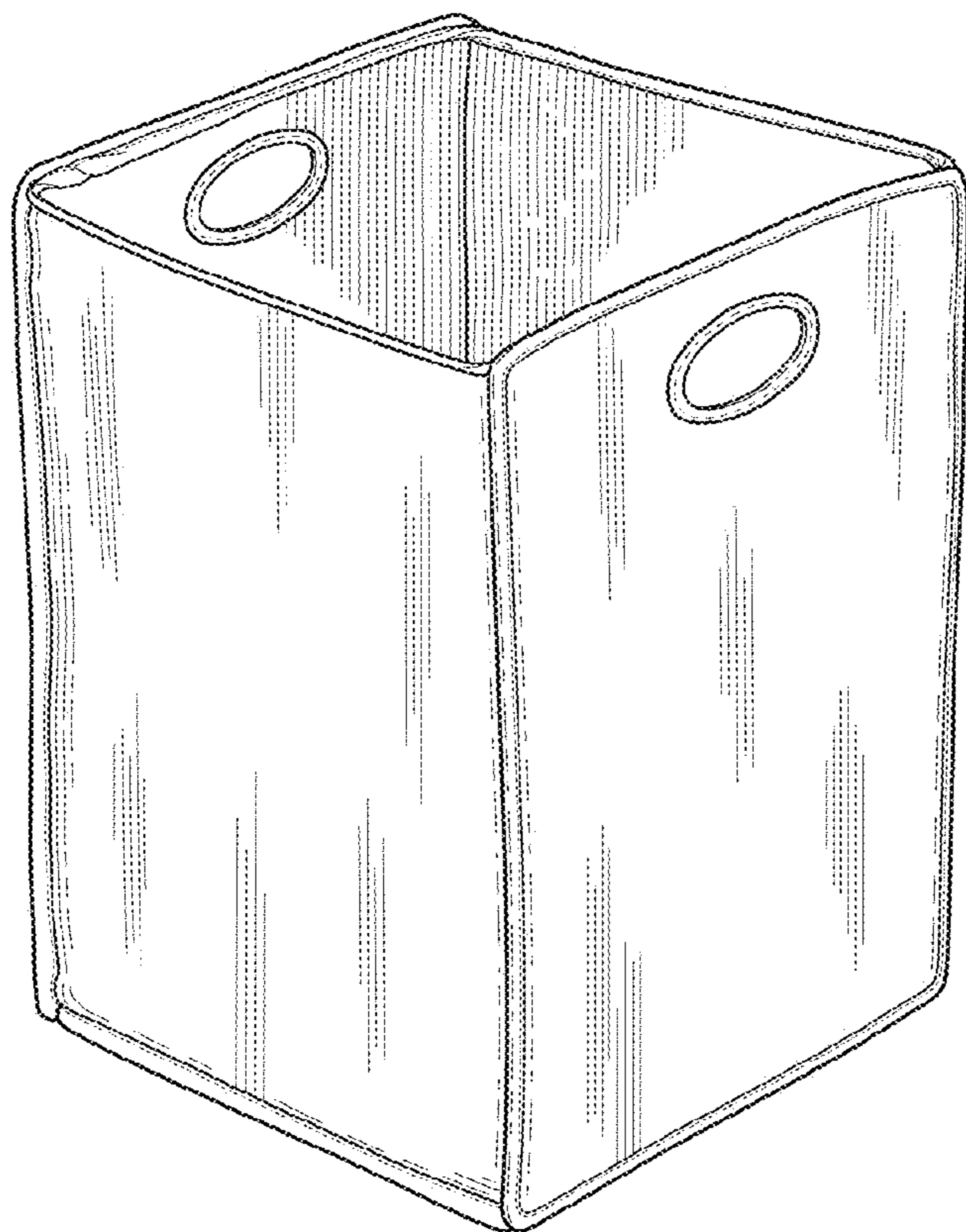


Fig. 1

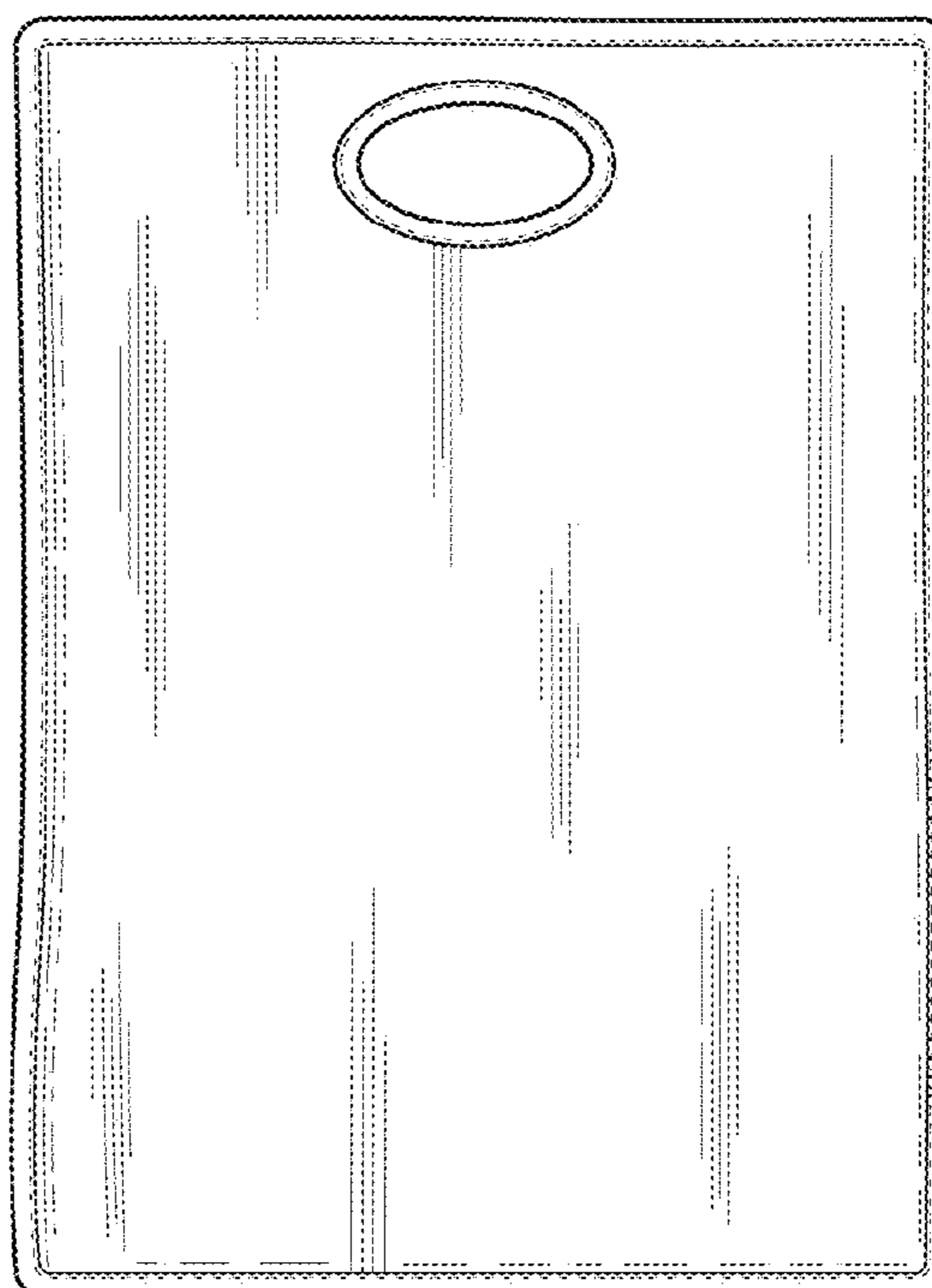


Fig. 2

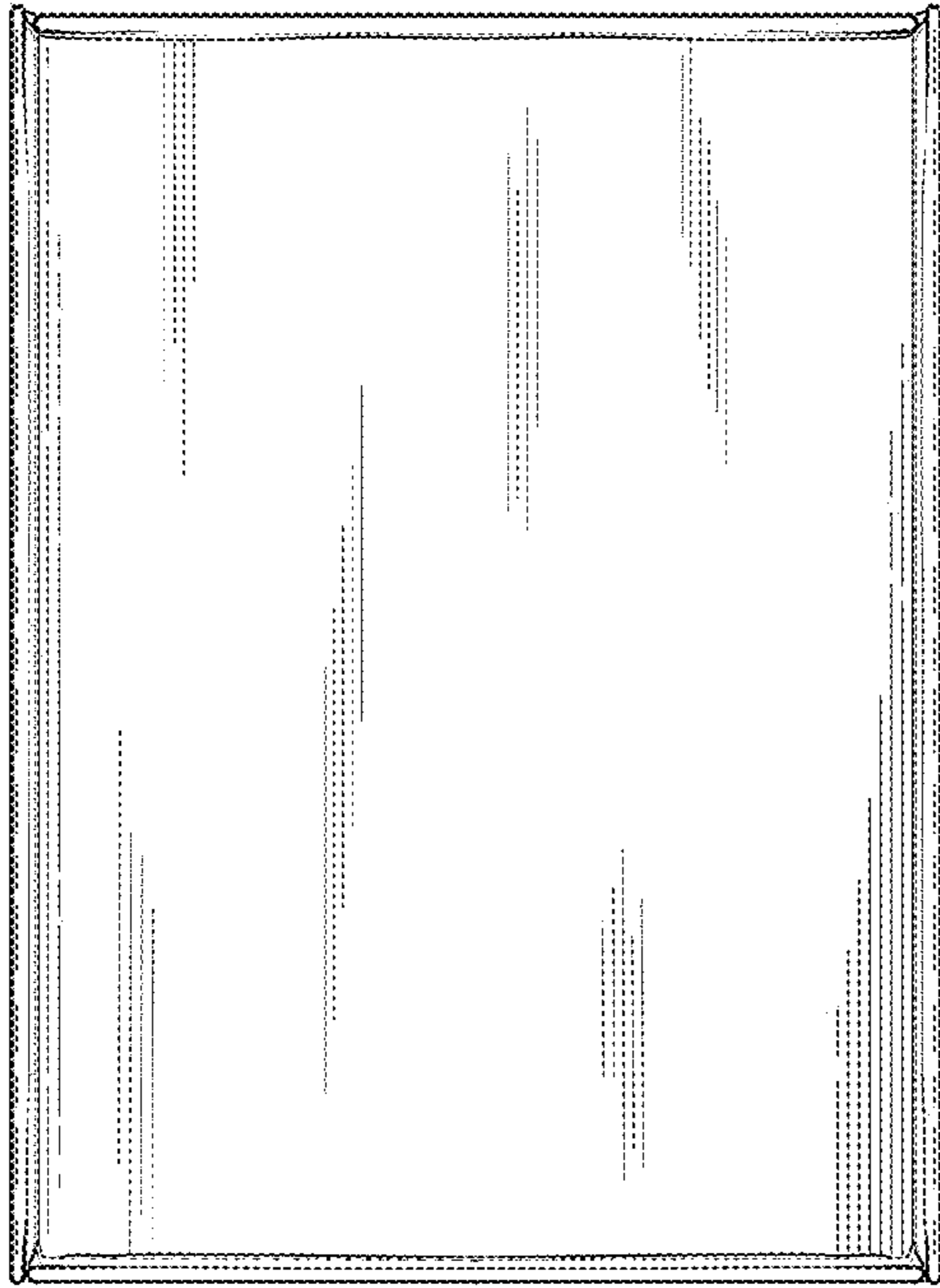


Fig. 3

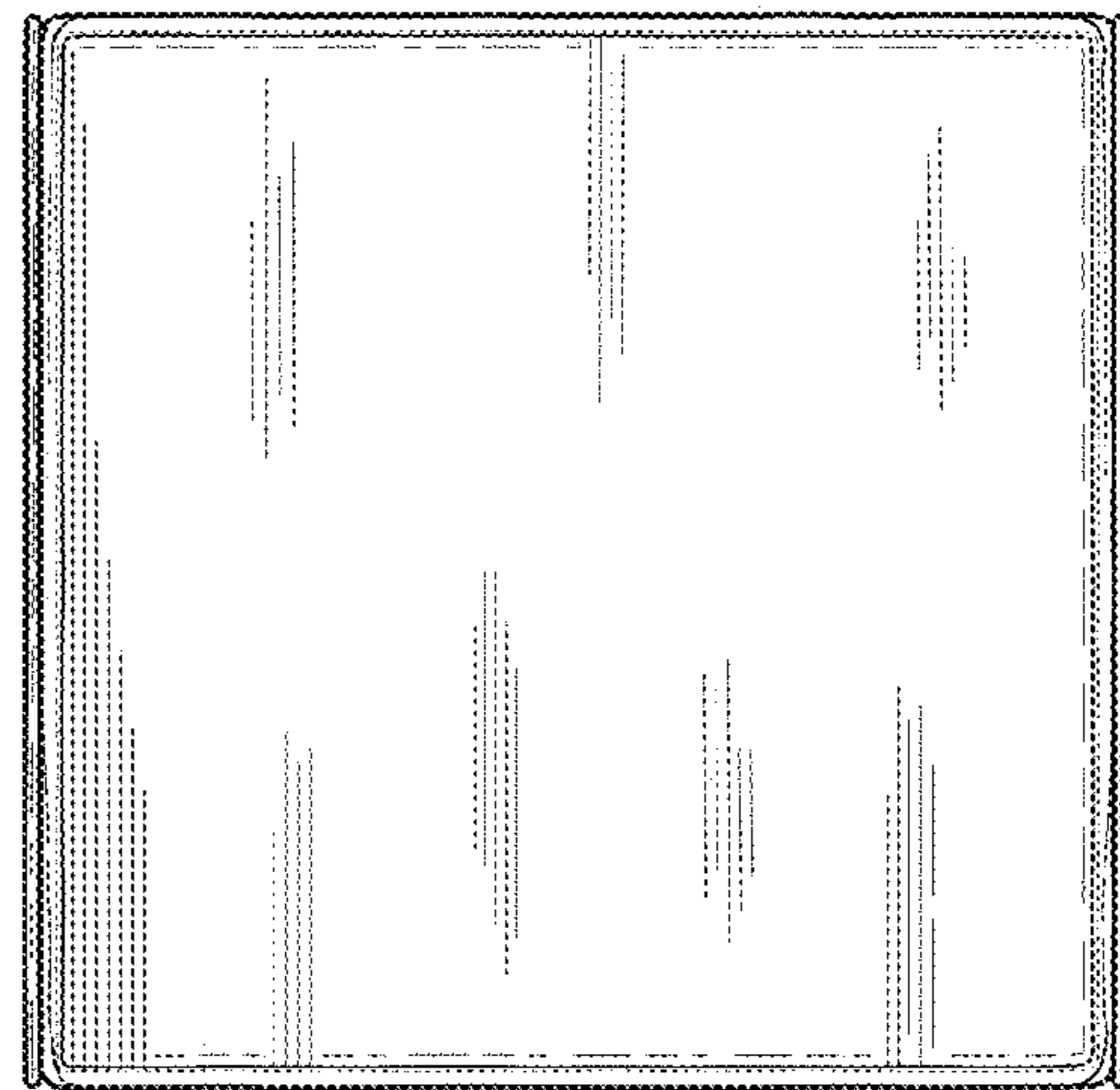


Fig. 4

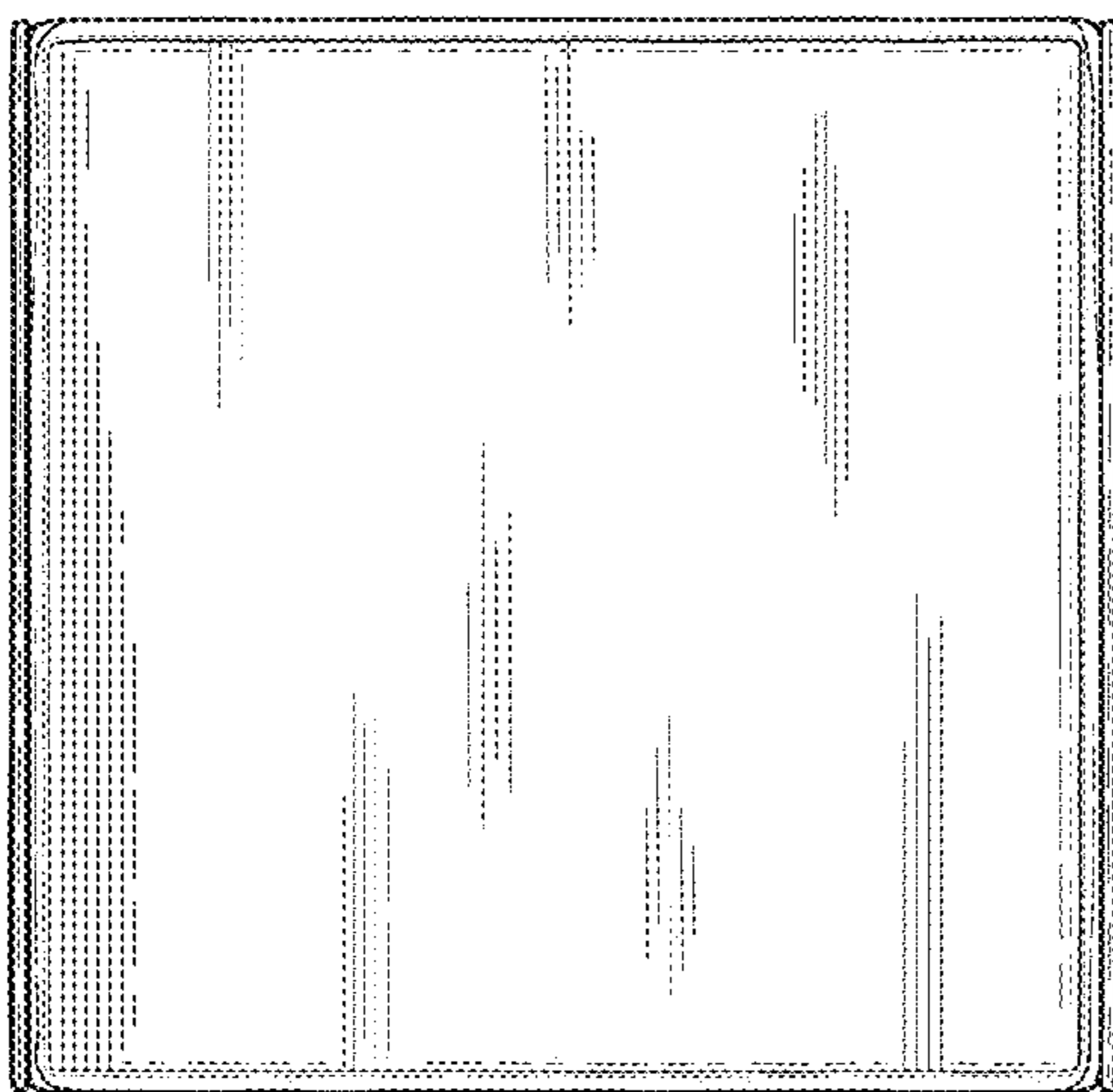


Fig. 5

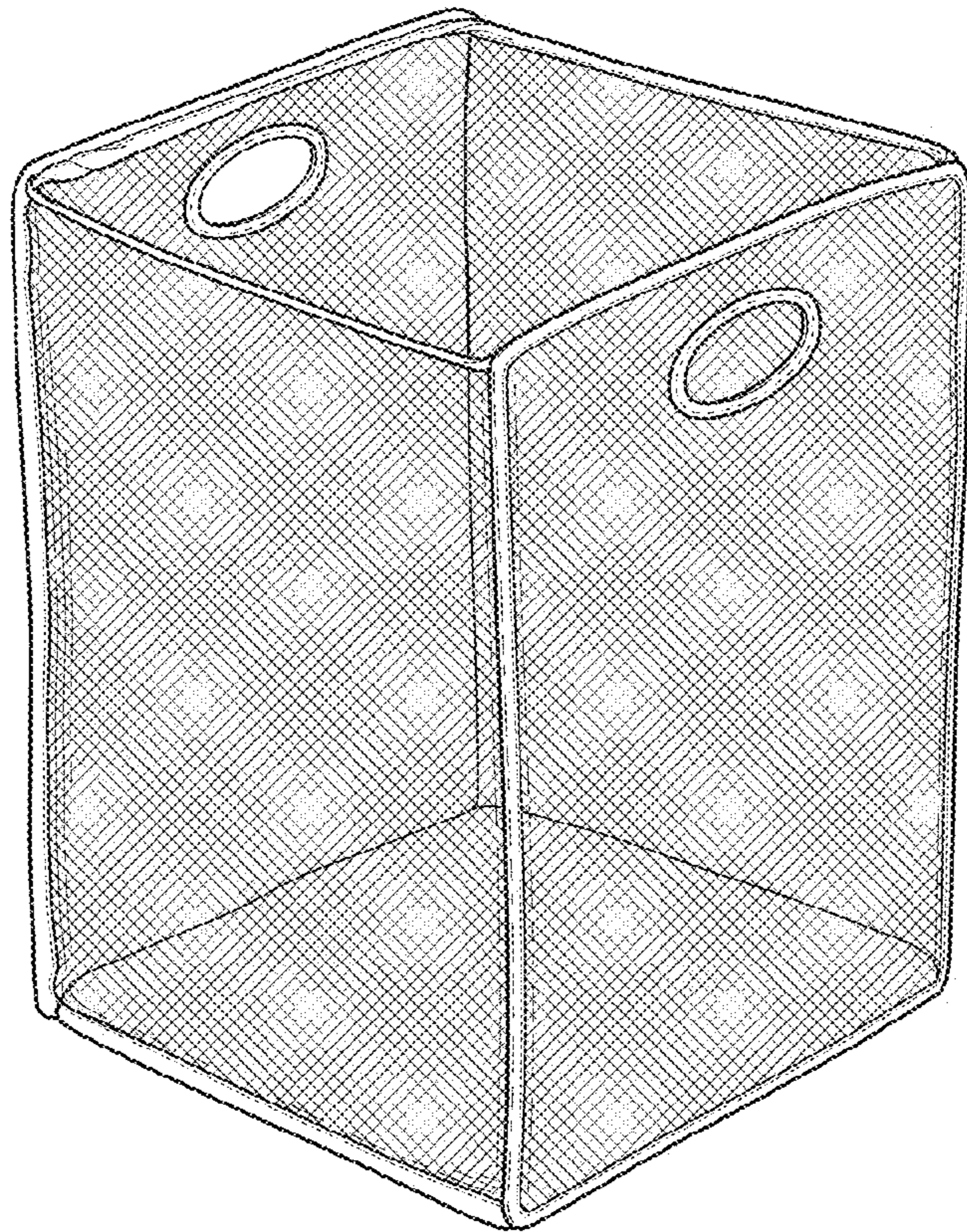


Fig. 6

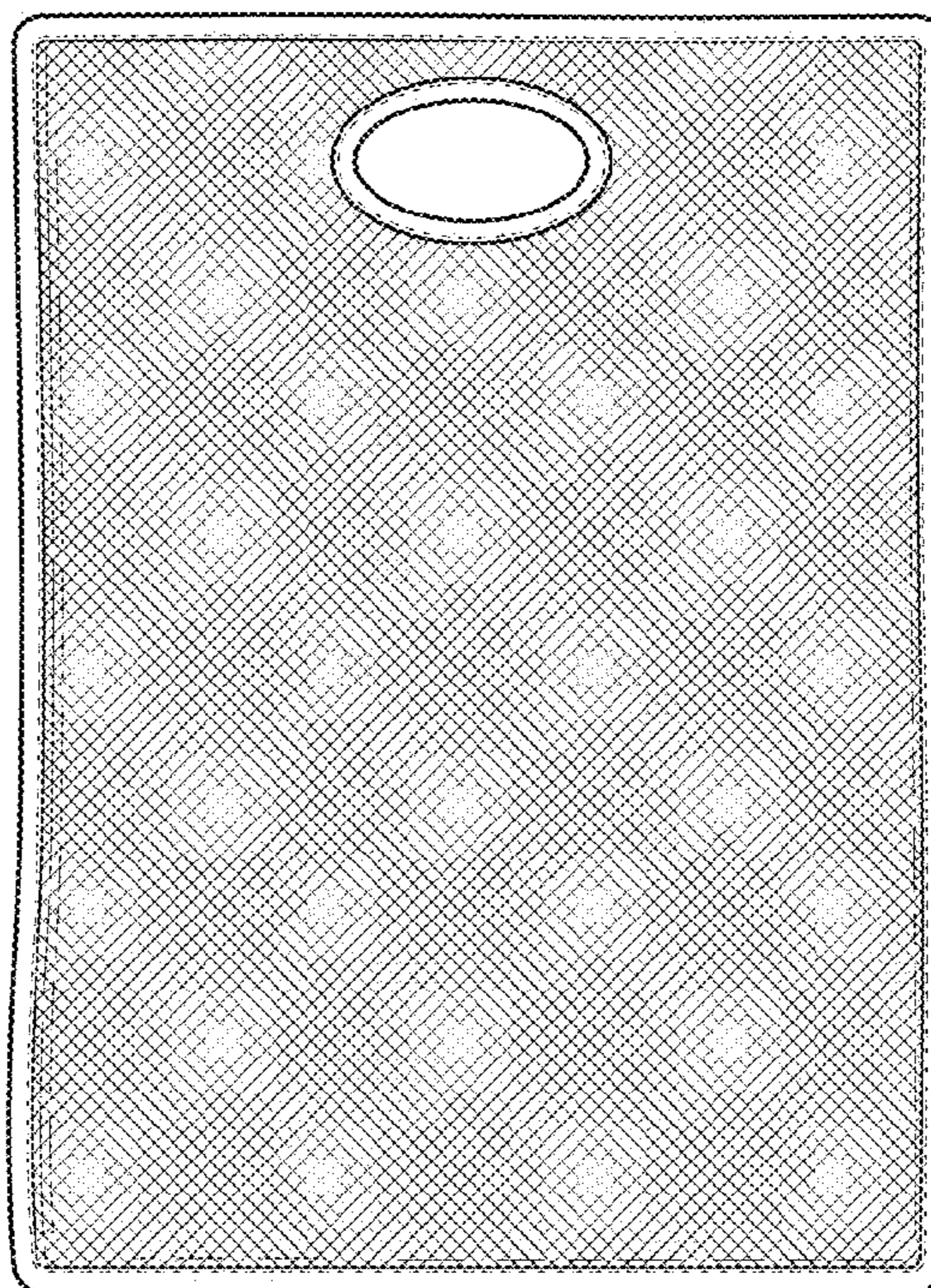


Fig. 7

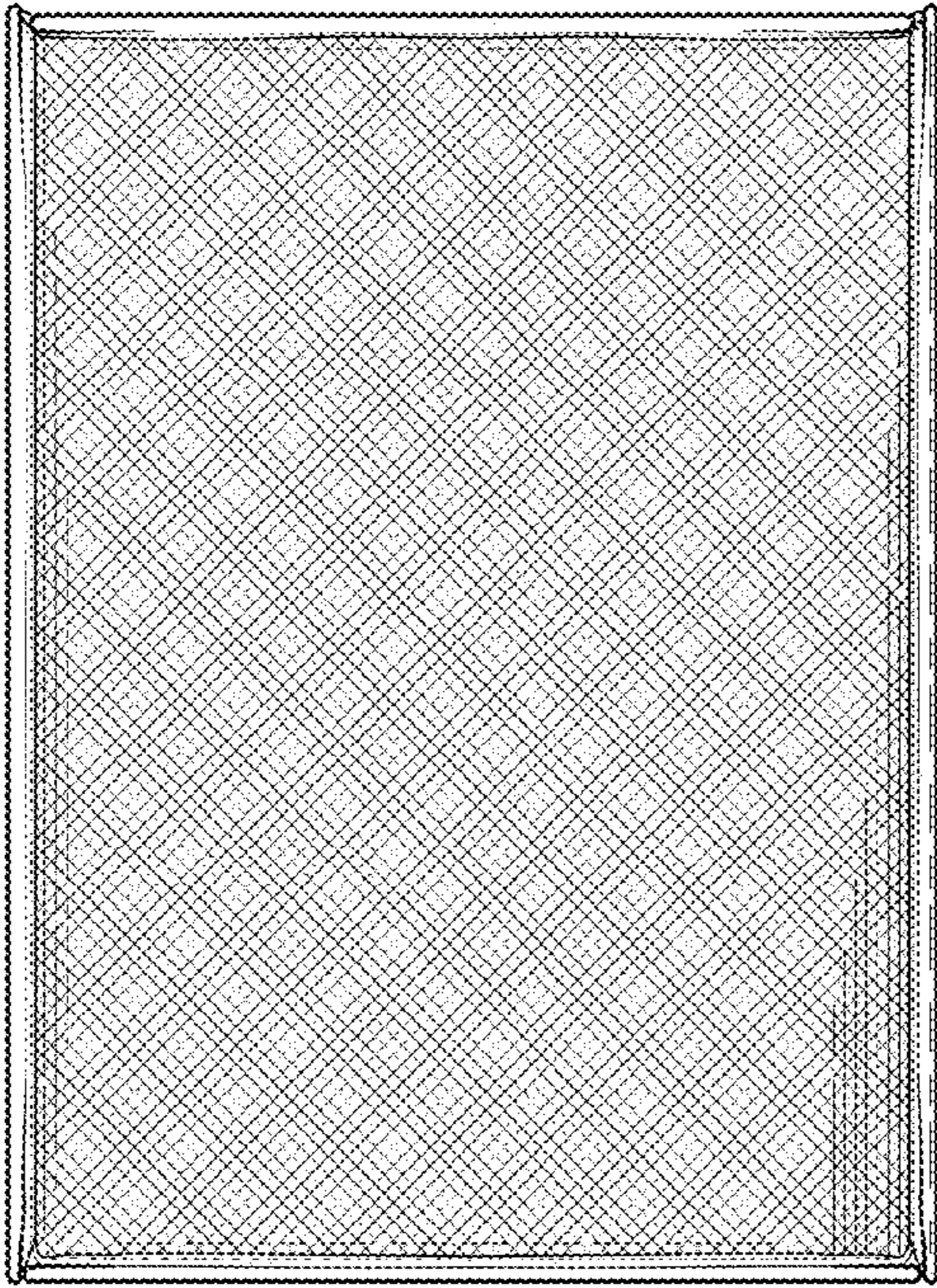


Fig. 8

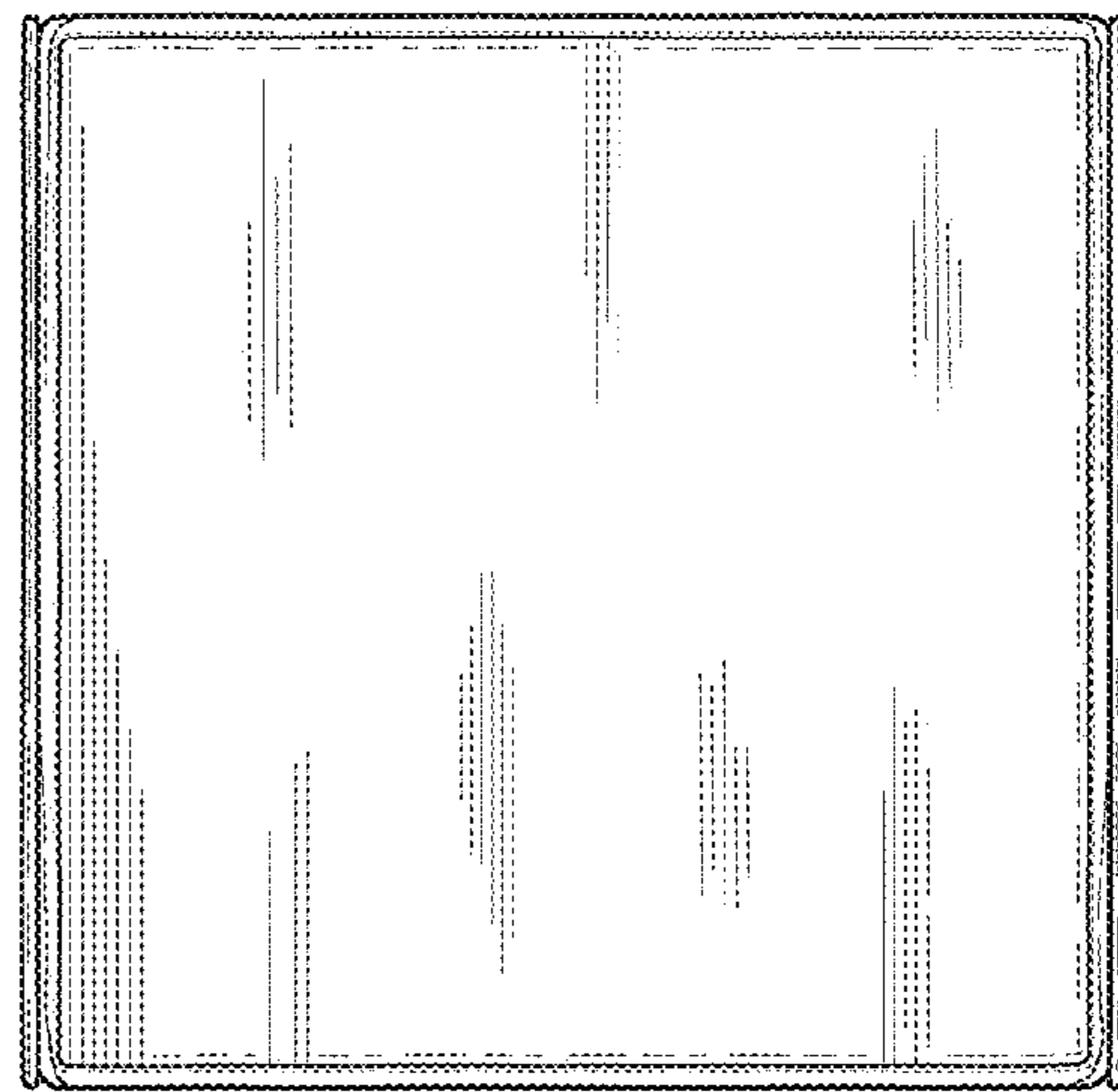


Fig. 9

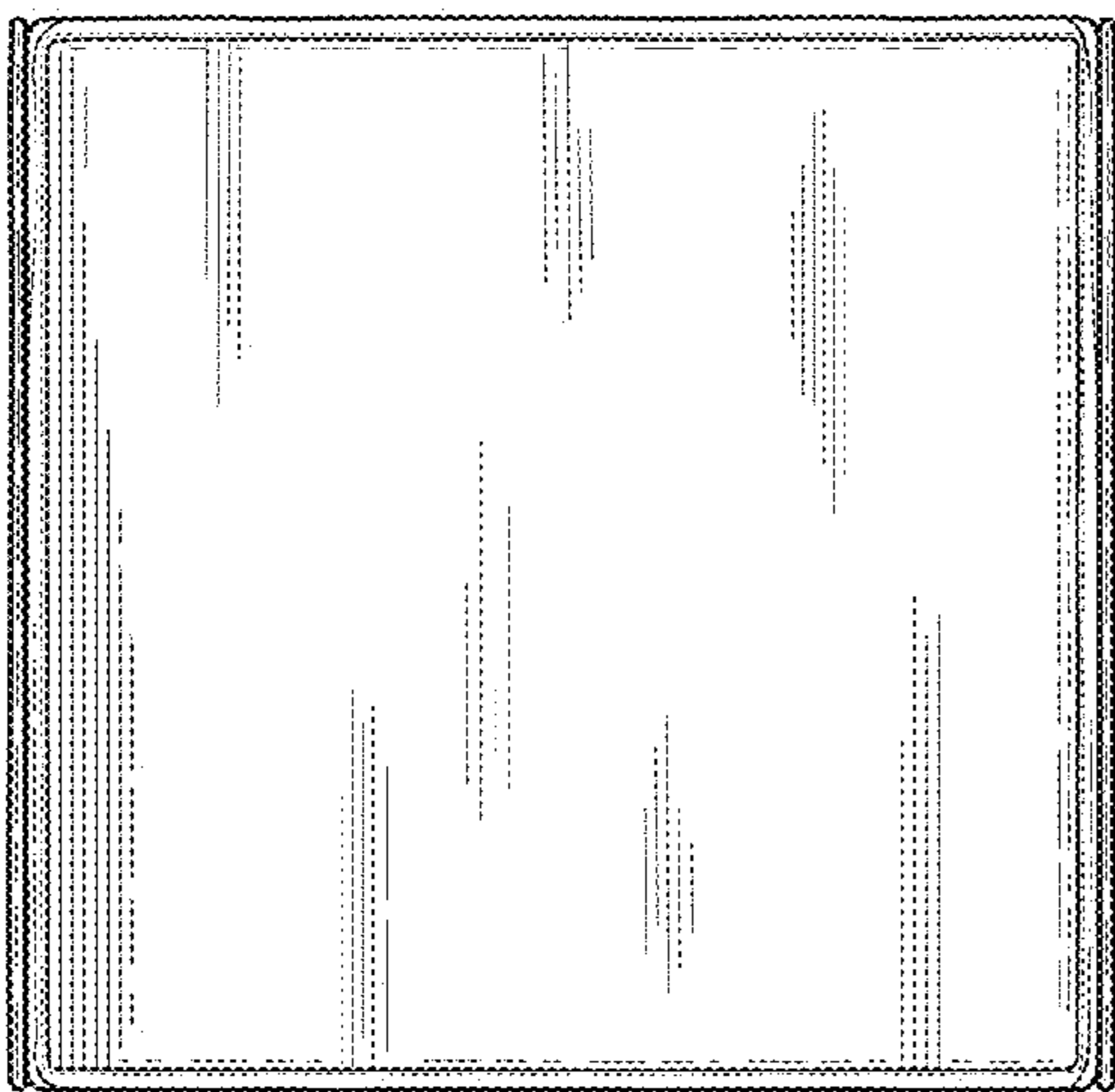


Fig. 10