



US00D680327S

(12) **United States Design Patent**
Willows et al.

(10) **Patent No.:** **US D680,327 S**

(45) **Date of Patent:** **** Apr. 23, 2013**

(54) **POUCH**

(75) Inventors: **Keith S. Willows**, Seattle, WA (US);
June A. Angus, Seattle, WA (US);
Antonio Del Rosario, Bellevue, WA
(US)

(73) Assignee: **Amphipod Inc.**, Seattle, WA (US)

(**) Term: **14 Years**

(21) Appl. No.: **29/429,460**

(22) Filed: **Aug. 10, 2012**

(51) **LOC (9) Cl.** **03-01**

(52) **U.S. Cl.**
USPC **D3/226**

(58) **Field of Classification Search** D3/226,
D3/201, 205, 215, 218–219, 232–233, 247–249;
224/217, 219, 222, 267, 269, 664, 667, 669,
224/676–677, 934; 383/63, 111, 113
See application file for complete search history.

(56) **References Cited**

U.S. PATENT DOCUMENTS

D249,592 S *	9/1978	Libonati	D3/226
D409,380 S	5/1999	Angus et al.		
D415,892 S	11/1999	Angus et al.		
D417,953 S *	12/1999	Guy et al.	D3/226
D447,623 S *	9/2001	Troska	D3/215
D448,925 S	10/2001	Willows et al.		
D458,021 S	6/2002	Willows et al.		
D467,079 S	12/2002	Willows et al.		
D484,307 S	12/2003	Willows et al.		
6,698,636 B2	3/2004	Angus et al.		
D515,805 S *	2/2006	Jones	D3/215
D663,950 S *	7/2012	Willows et al.	D3/226

* cited by examiner

Primary Examiner — Catheri Oliver-Garcia

(74) *Attorney, Agent, or Firm* — Lowe Graham Jones PLLC

(57) **CLAIM**

We claim the ornamental design for the pouch, as shown and described.

DESCRIPTION

FIGS. 1-7 are views of a first embodiment of a pouch, showing our new design.

FIG. 1 is a perspective view of the pouch.

FIG. 2 is a front view of the pouch.

FIG. 3 is a left side view of the pouch.

FIG. 4 is a right side view of the pouch.

FIG. 5 is a top view of the pouch.

FIG. 6 is a bottom view of the pouch.

FIG. 7 is a rear view of the pouch.

FIGS. 8-12 are views of a second embodiment of a pouch showing our new design, in which the rear view is identical to the rear view of the first embodiment as illustrated in FIG. 7.

FIG. 8 is a front view of the pouch.

FIG. 9 is a right side view of the pouch.

FIG. 10 is a left side view of the pouch.

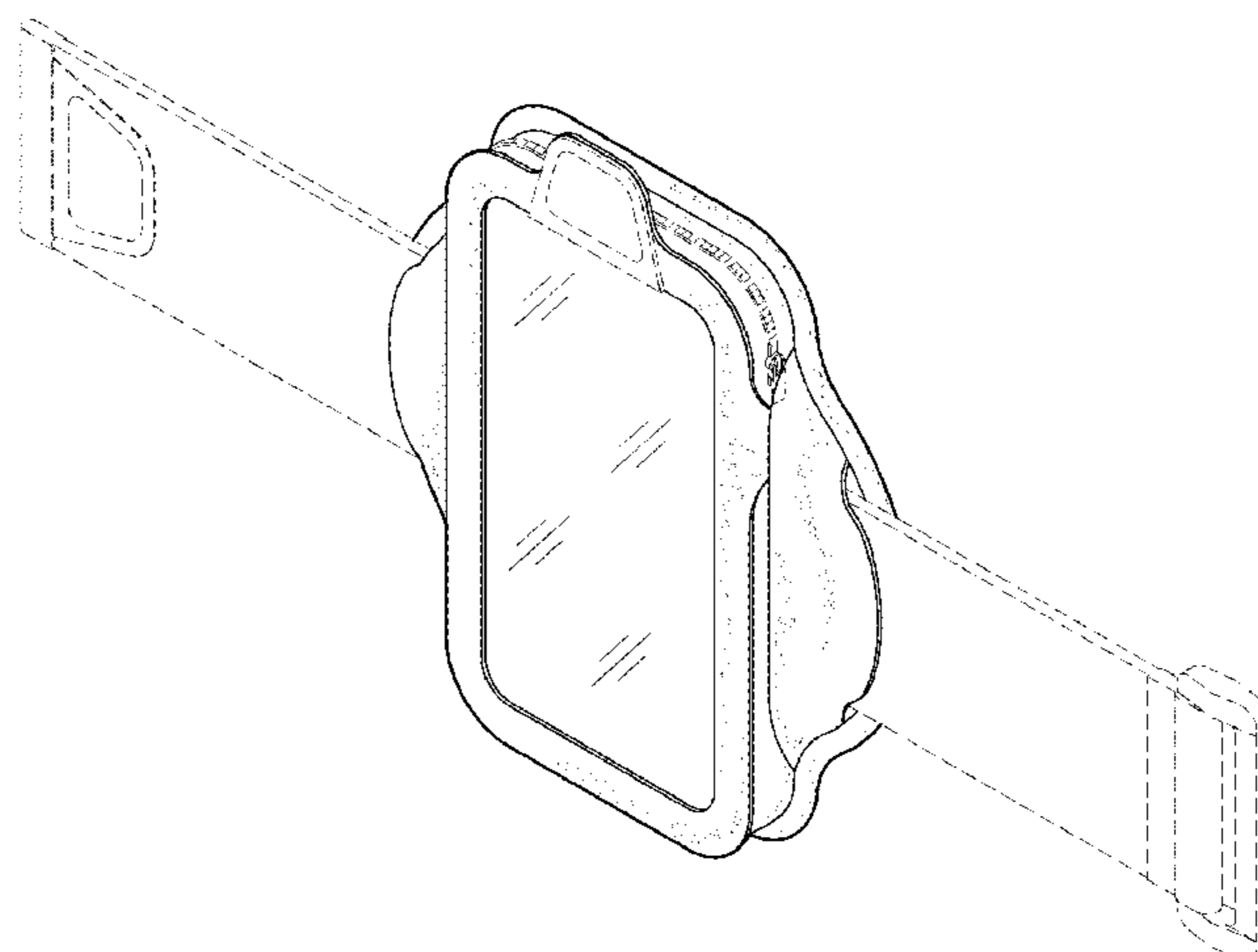
FIG. 11 is a top view of the pouch.

FIG. 12 is a bottom view of the pouch; and,

FIG. 13 is a view of a third embodiment of a pouch showing our new design, in which the rear view is shown in FIG. 13 and the front, left side, right side, top, and bottom views are identical to those same views as illustrated in FIGS. 1-6.

Features illustrated in phantom lines are intended to show a preferred environment for the pouch and form no part of claimed invention. Aspects illustrated in phantom lines include a logo tab as visible each of the figures; a zipper and zipper pull as visible in FIGS. 1-5 and 8-11; a belt and buckle as visible in each of the figures; and holes formed in a rear panel material as visible in FIGS. 7 and 13.

1 Claim, 9 Drawing Sheets



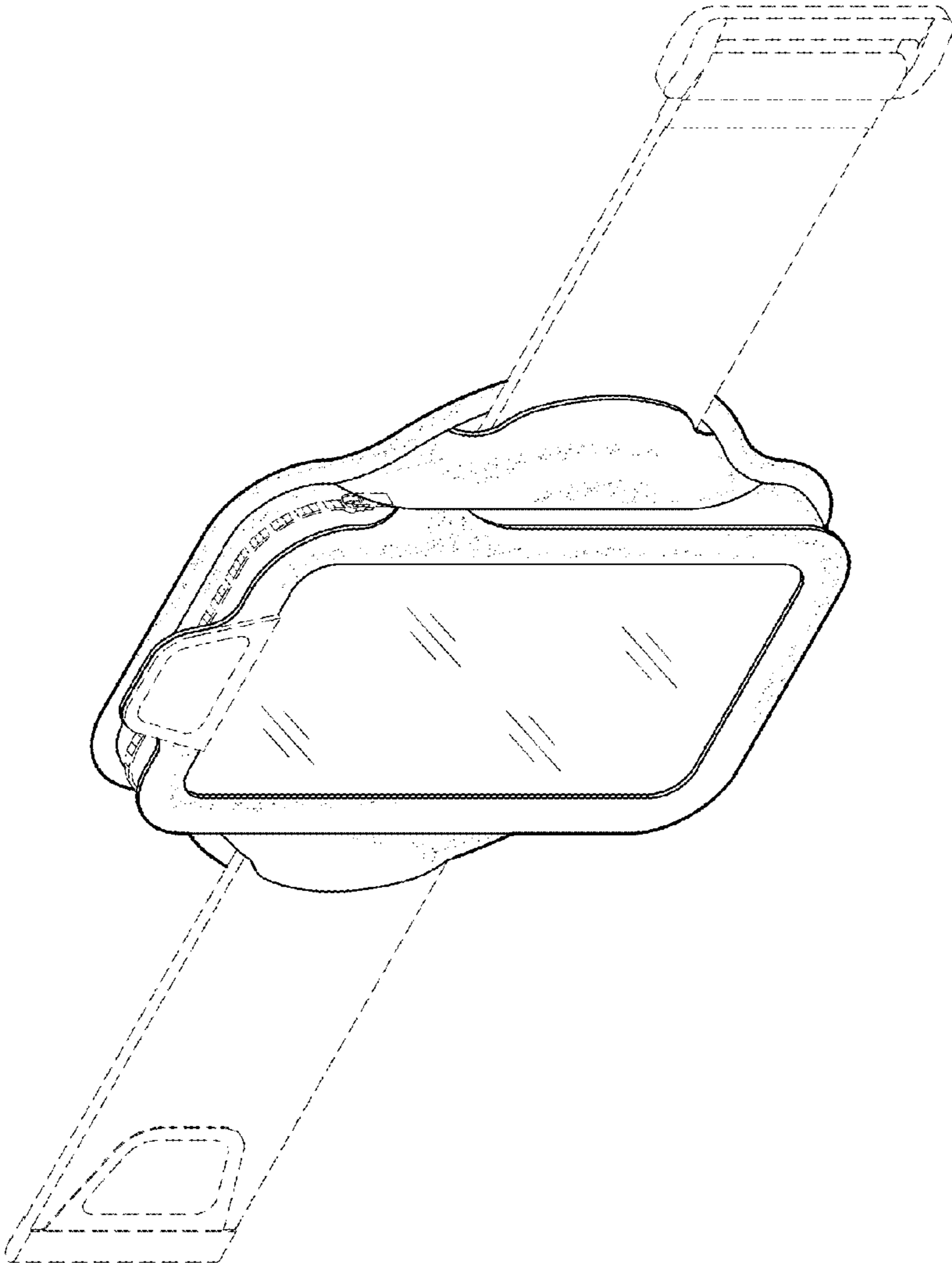


FIG.1

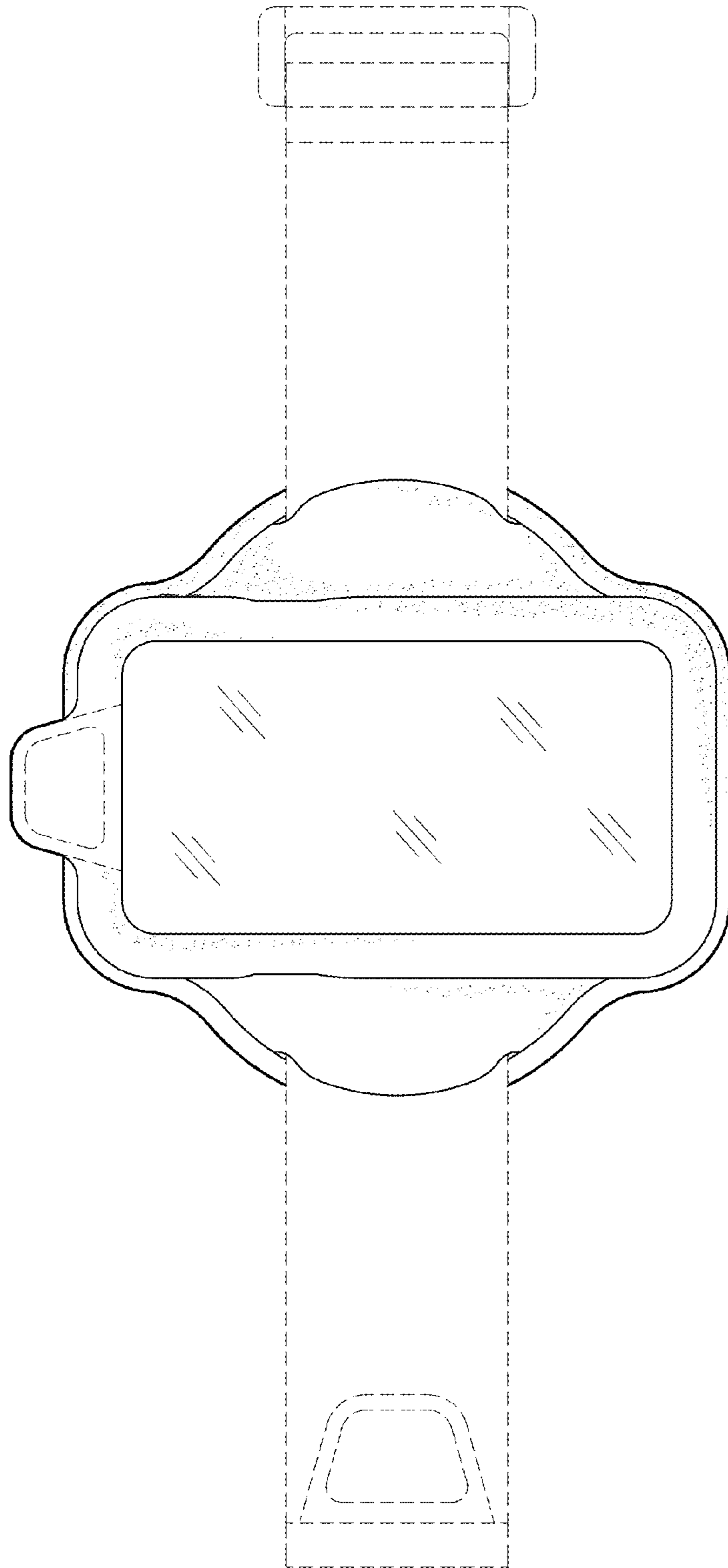


FIG.2

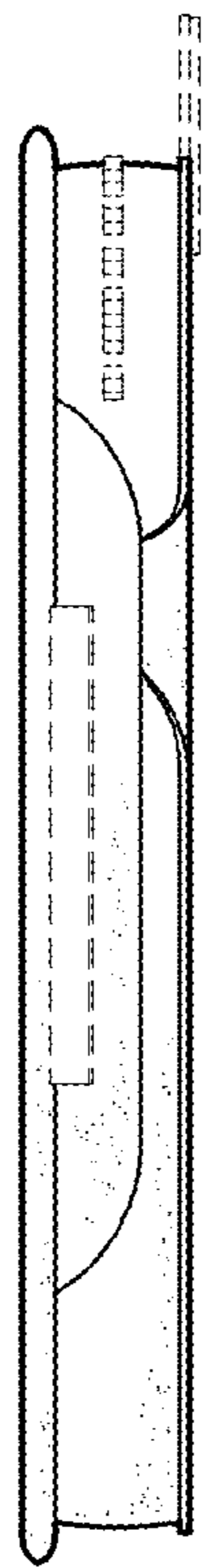


FIG. 3

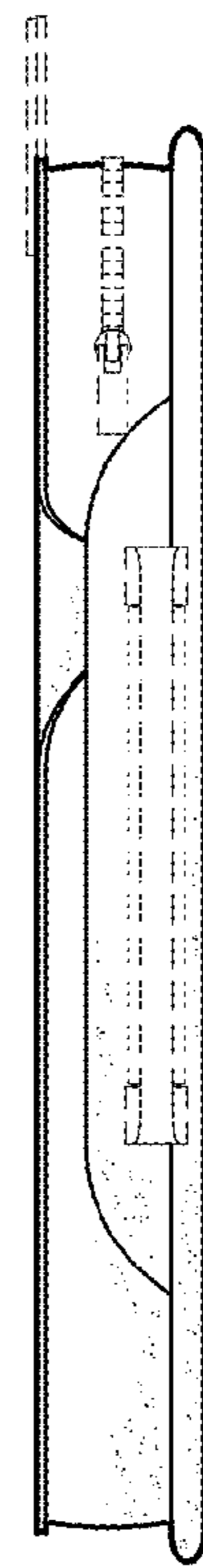


FIG. 4

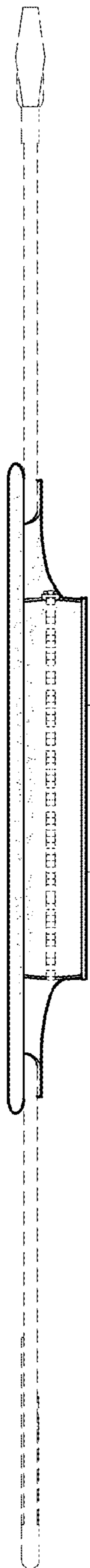


FIG. 5

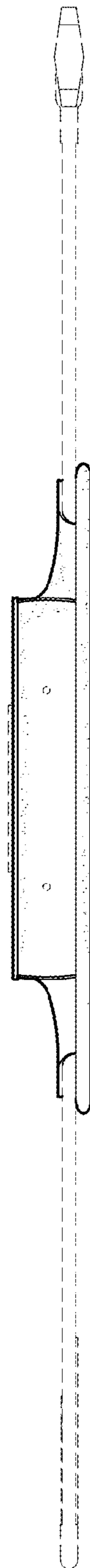


FIG. 6

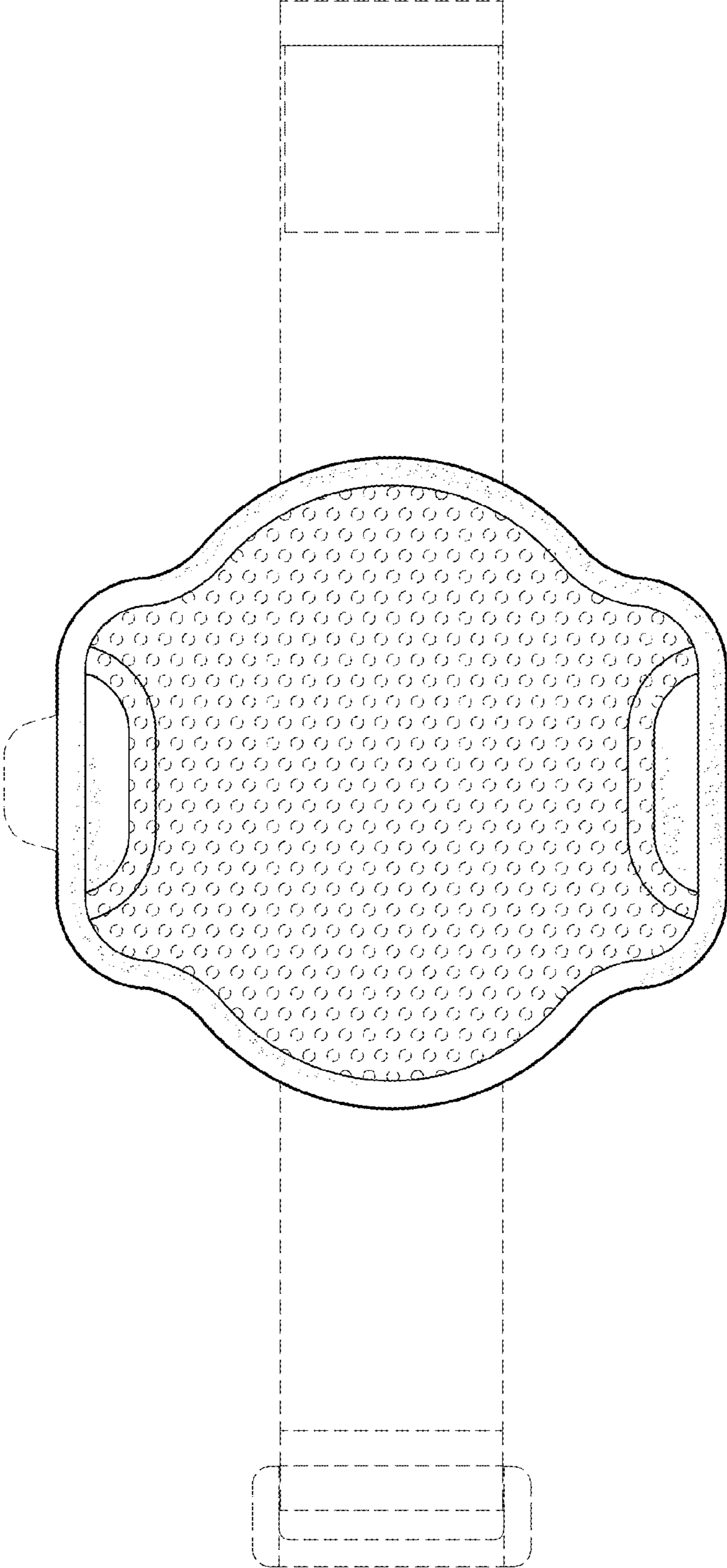


FIG. 7

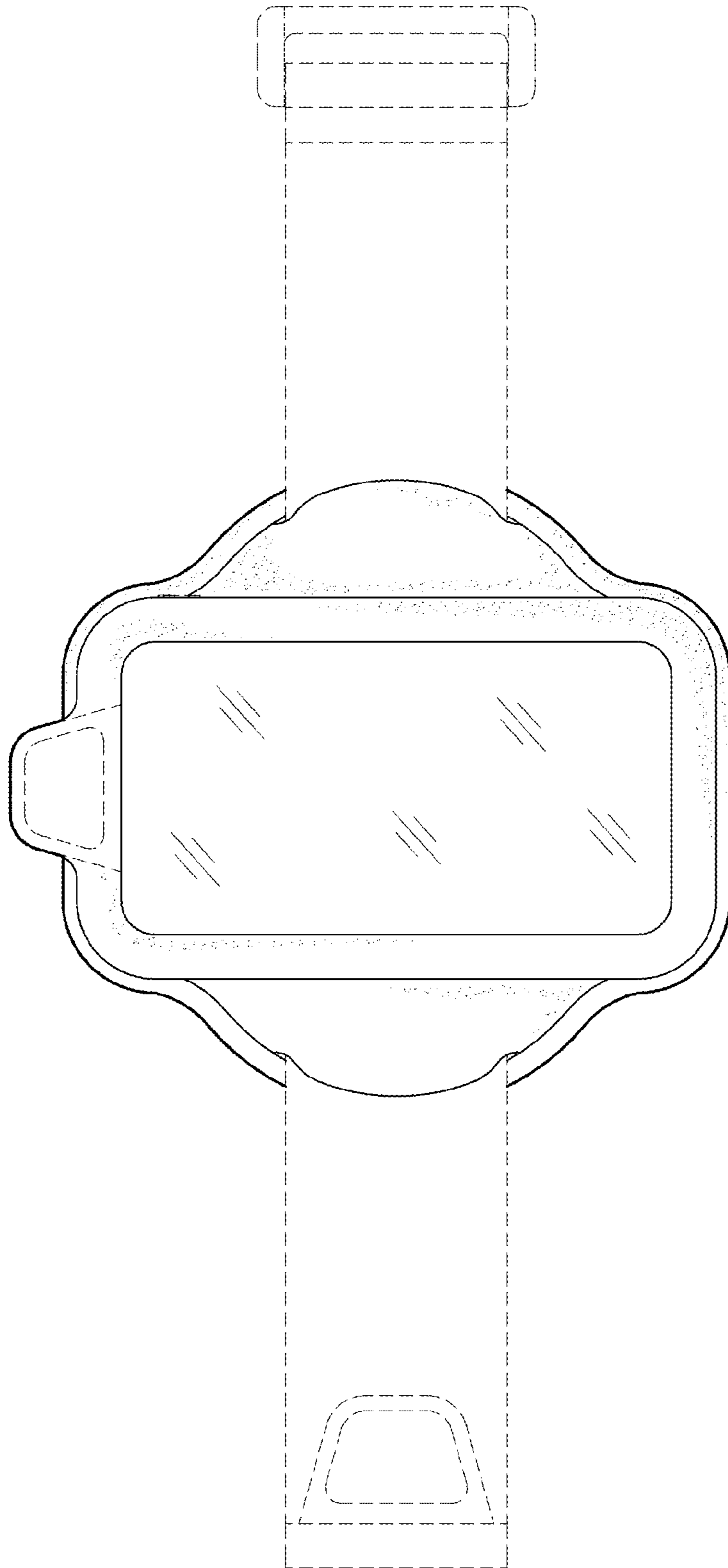


FIG. 8

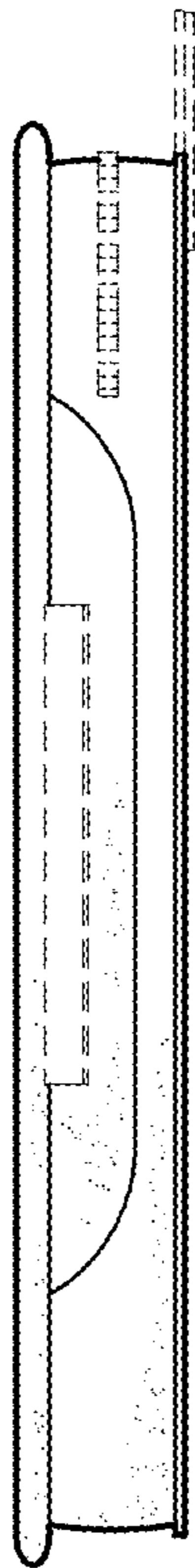


FIG. 9

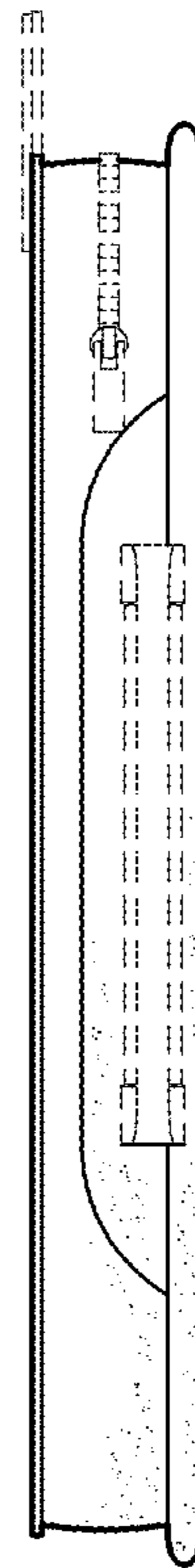


FIG. 10

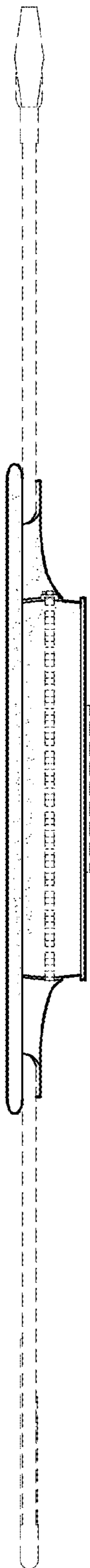


FIG. 11

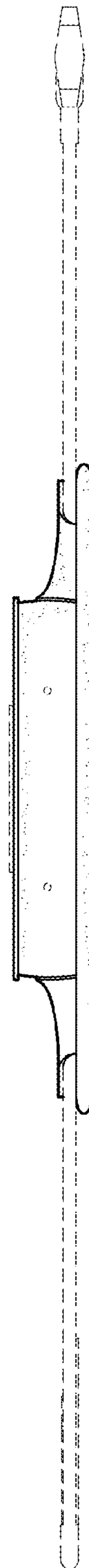


FIG. 12

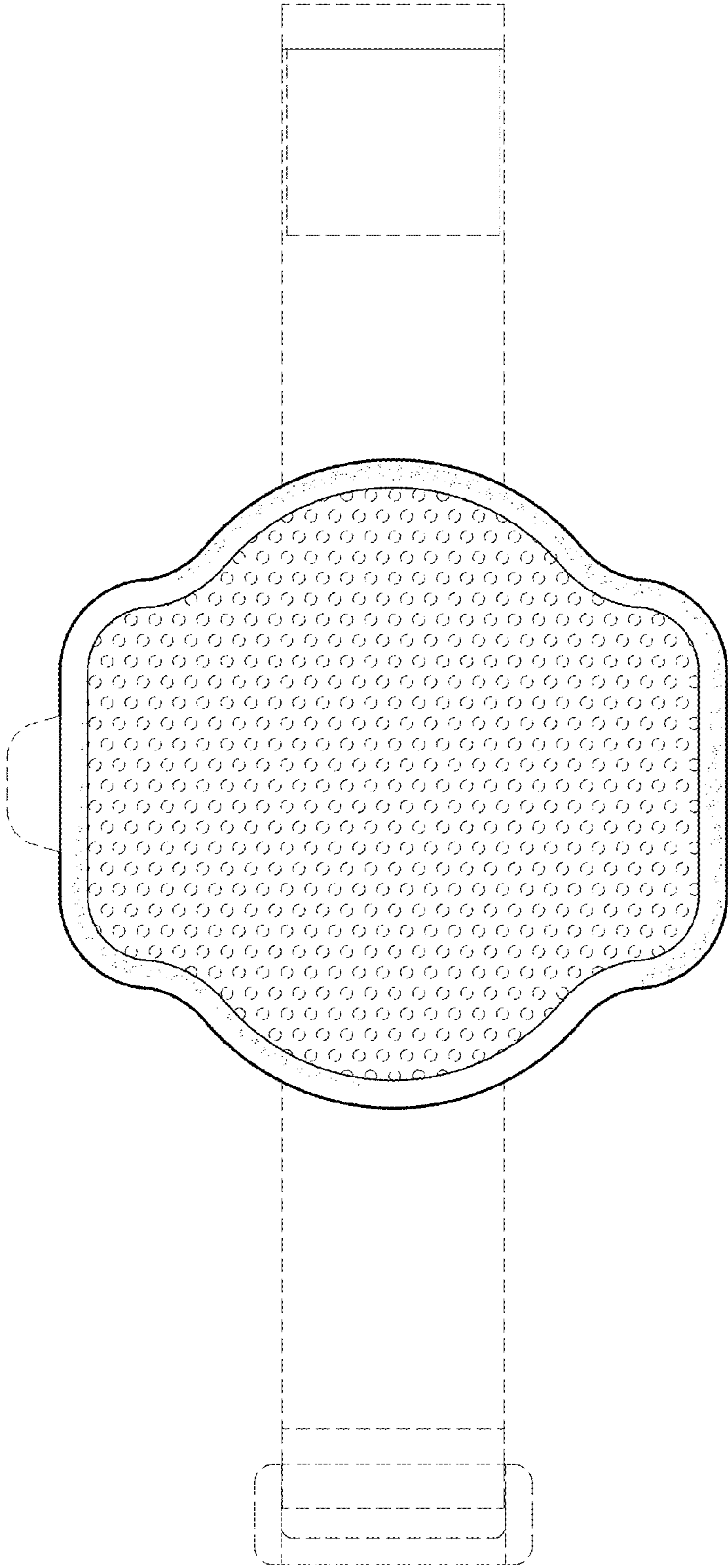


FIG.13