



US00D680326S

(12) **United States Design Patent**  
**Willows et al.**

(10) **Patent No.:** **US D680,326 S**  
(45) **Date of Patent:** **\*\* Apr. 23, 2013**

(54) **POUCH WITH SPLIT STRAP**

(76) Inventors: **Keith Willows**, Seattle, WA (US);  
**Antonio Del Rosario**, Bellevue, WA  
(US); **June Angus**, Seattle, WA (US)

(\*\*) Term: **14 Years**

(21) Appl. No.: **29/421,043**

(22) Filed: **May 8, 2012**

(51) **LOC (9) Cl.** ..... **03-01**

(52) **U.S. Cl.**  
USPC ..... **D3/226**

(58) **Field of Classification Search** ..... D3/226,  
D3/201, 205, 215, 218-219, 232-233, 247-249,  
D3/221, 265-266; 224/217, 219, 222, 269,  
224/664, 667, 669, 676-677, 934; 383/63,  
383/111, 113

See application file for complete search history.

(56) **References Cited**

**U.S. PATENT DOCUMENTS**

D249,592 S *	9/1978	Libonati	.....	D3/226
D417,953 S *	12/1999	Guy et al.	.....	D3/226
D447,623 S *	9/2001	Troska	.....	D3/215
D515,805 S *	2/2006	Jones	.....	D3/215
D663,950 S *	7/2012	Willows et al.	.....	D3/226

\* cited by examiner

*Primary Examiner* — Catheri Oliver-Garcia

(57) **CLAIM**

The ornamental design for a pouch with split strap, as shown and described.

**DESCRIPTION**

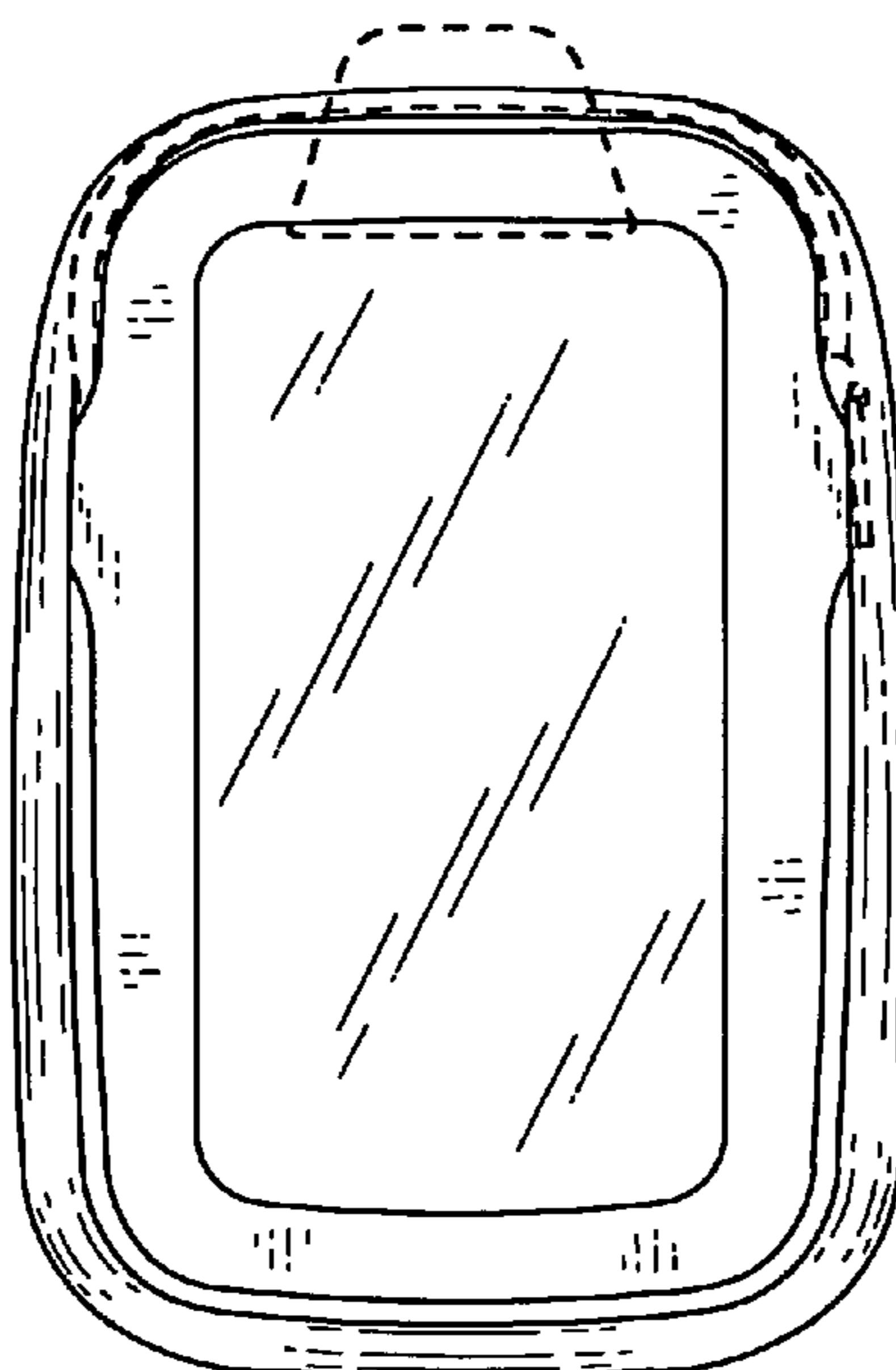
FIG. 1 is a front view of a pouch with split strap showing our new design;

FIG. 2 is a top view thereof;  
 FIG. 3 is a bottom view thereof;  
 FIG. 4 is a rear view thereof;  
 FIG. 5 is a left side view thereof;  
 FIG. 6 is a right side view thereof.  
 FIG. 7 is a front view of a second embodiment of a pouch with split strap showing our new design;  
 FIG. 8 is a top view thereof;  
 FIG. 9 is a bottom view thereof;  
 FIG. 10 is a rear view thereof;  
 FIG. 11 is a left side view thereof;  
 FIG. 12 is a right side view thereof.  
 FIG. 13 is a front view of a third embodiment of a pouch with split strap showing our new design, FIG. 10 being a rear view thereof;  
 FIG. 14 is a top view thereof;  
 FIG. 15 is a bottom view thereof;  
 FIG. 16 is a left side view thereof; and,  
 FIG. 17 is a right side view thereof.

The broken lines showing a somewhat keystone shape (as viewed from front views) tag in FIGS. 1-17, a somewhat rectangular shape tag (as viewed from rear views) in FIGS. 2-6, 8-12 and 14-17, zipper in FIGS. 1-3, 5-6, 8, 11-12, 14, and 16-17, zipper pull in FIGS. 1-3, 6-9, 12-15 and 17, buckle in FIGS. 2-6, 8-12 and 14-17, holes in FIGS. 3, 4, 9 and 10 illustrate environmental structure and form no part of the claimed design.

The article in which the present design is embodied has a transparent area on the front.

**1 Claim, 6 Drawing Sheets**



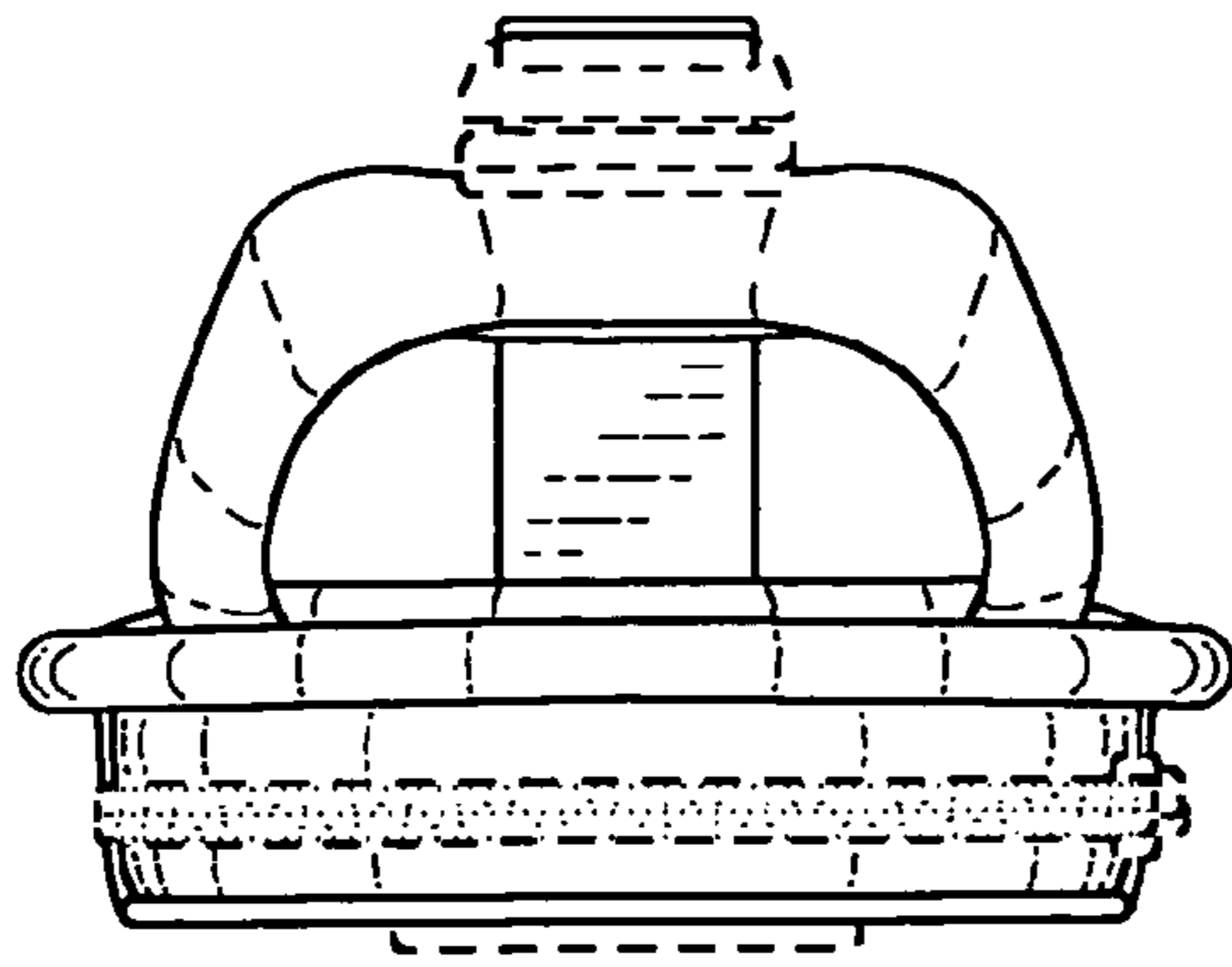


FIG. 2

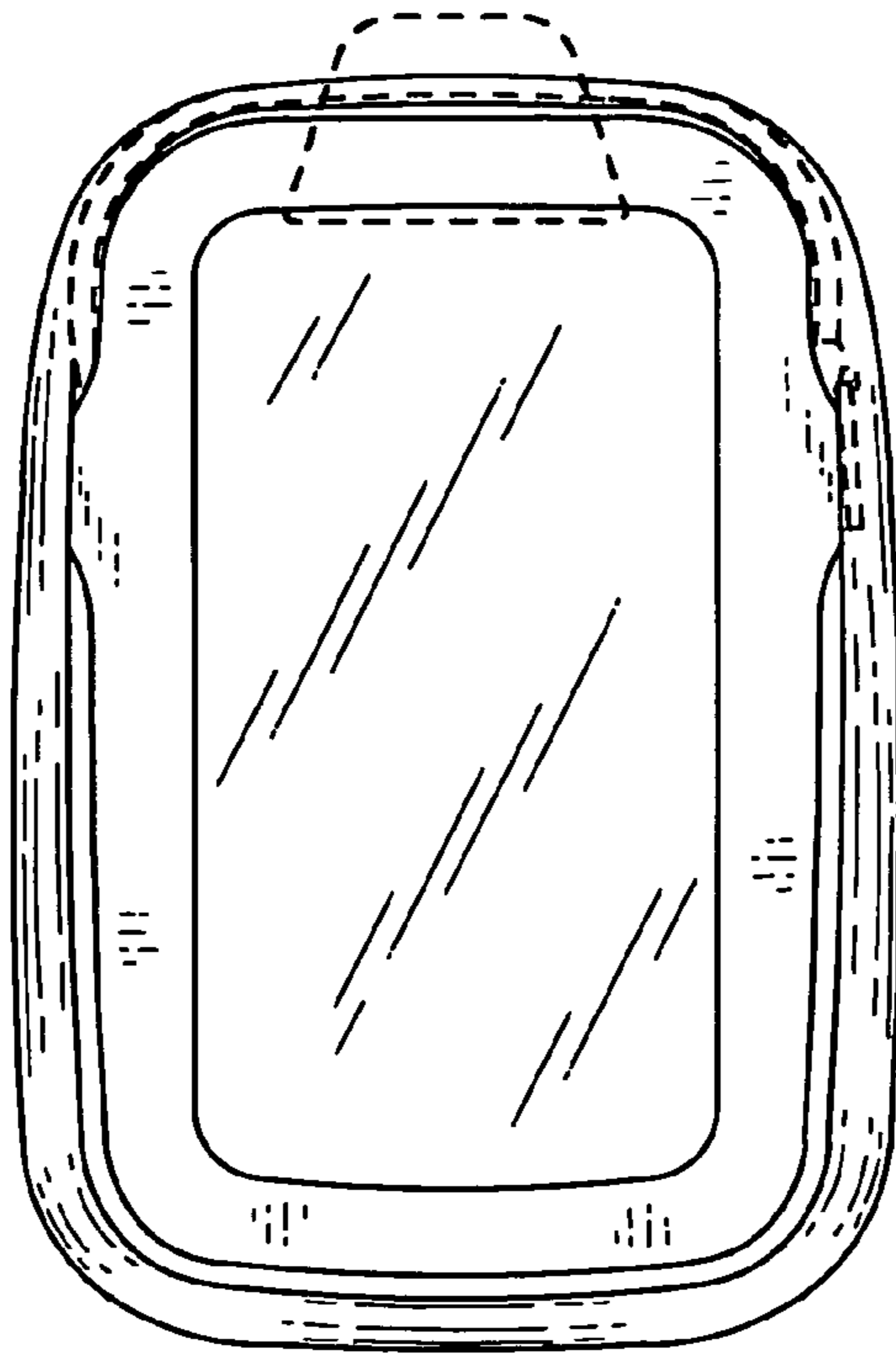


FIG. 1

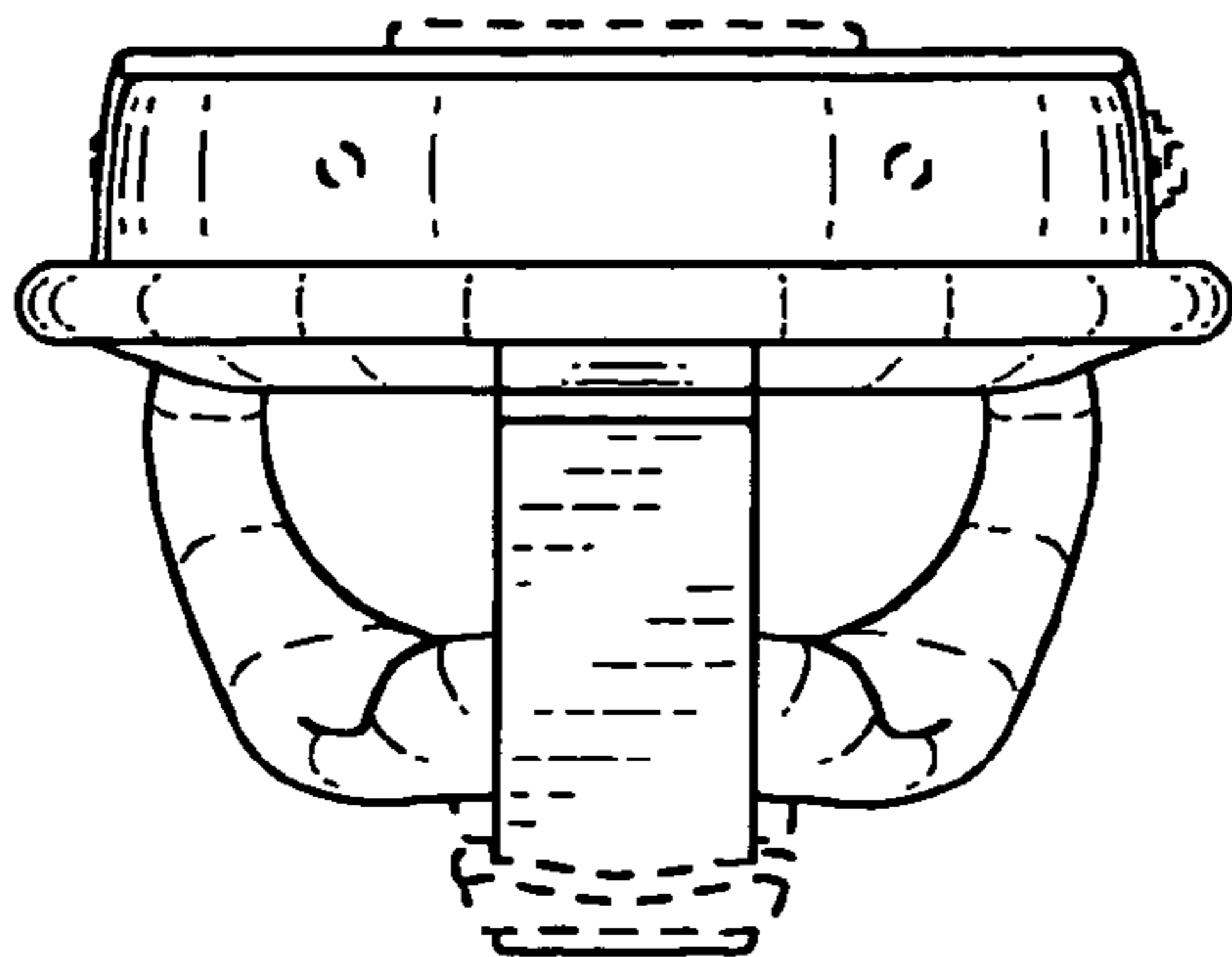


FIG. 3

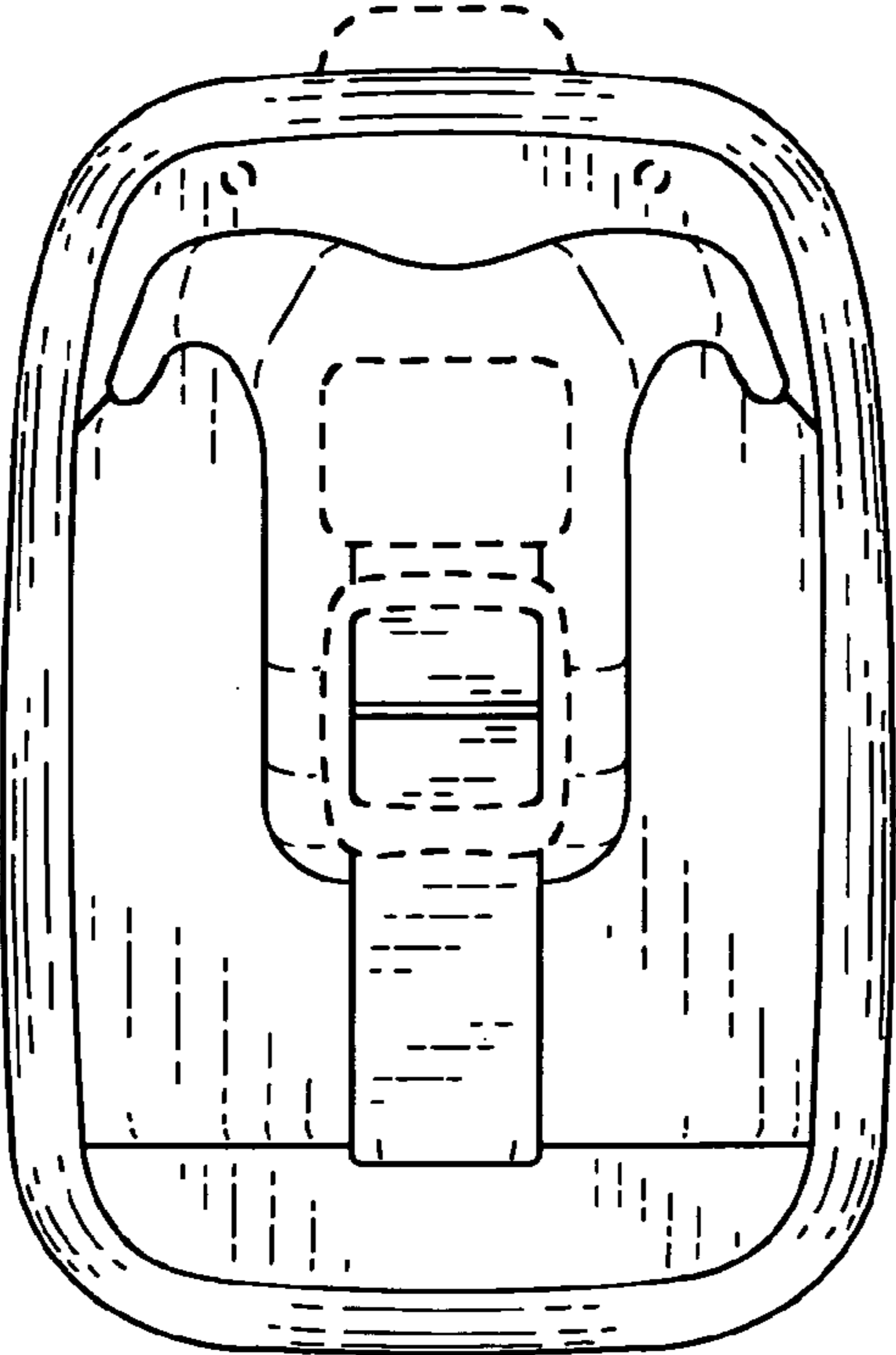


FIG. 4

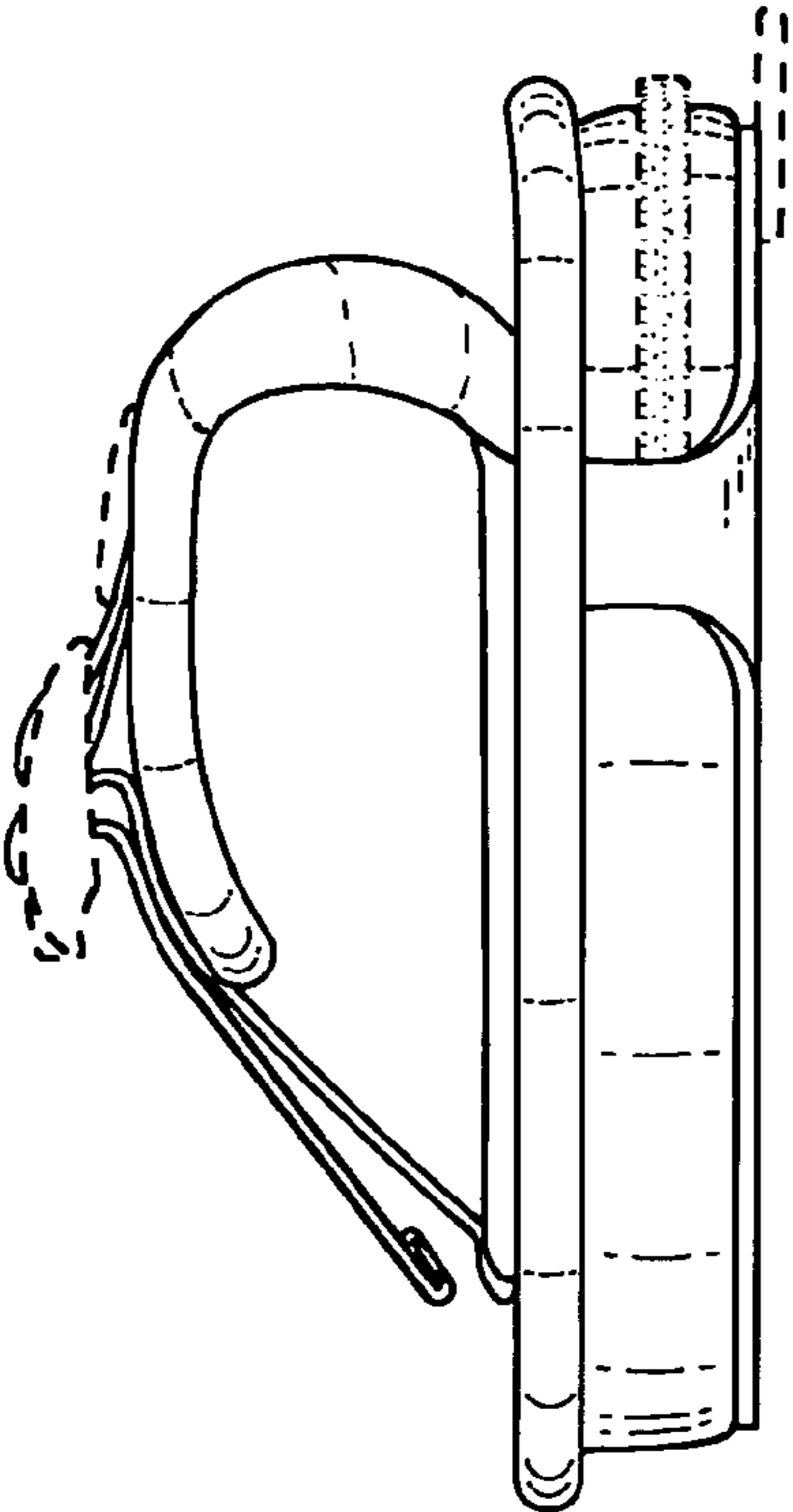


FIG. 5

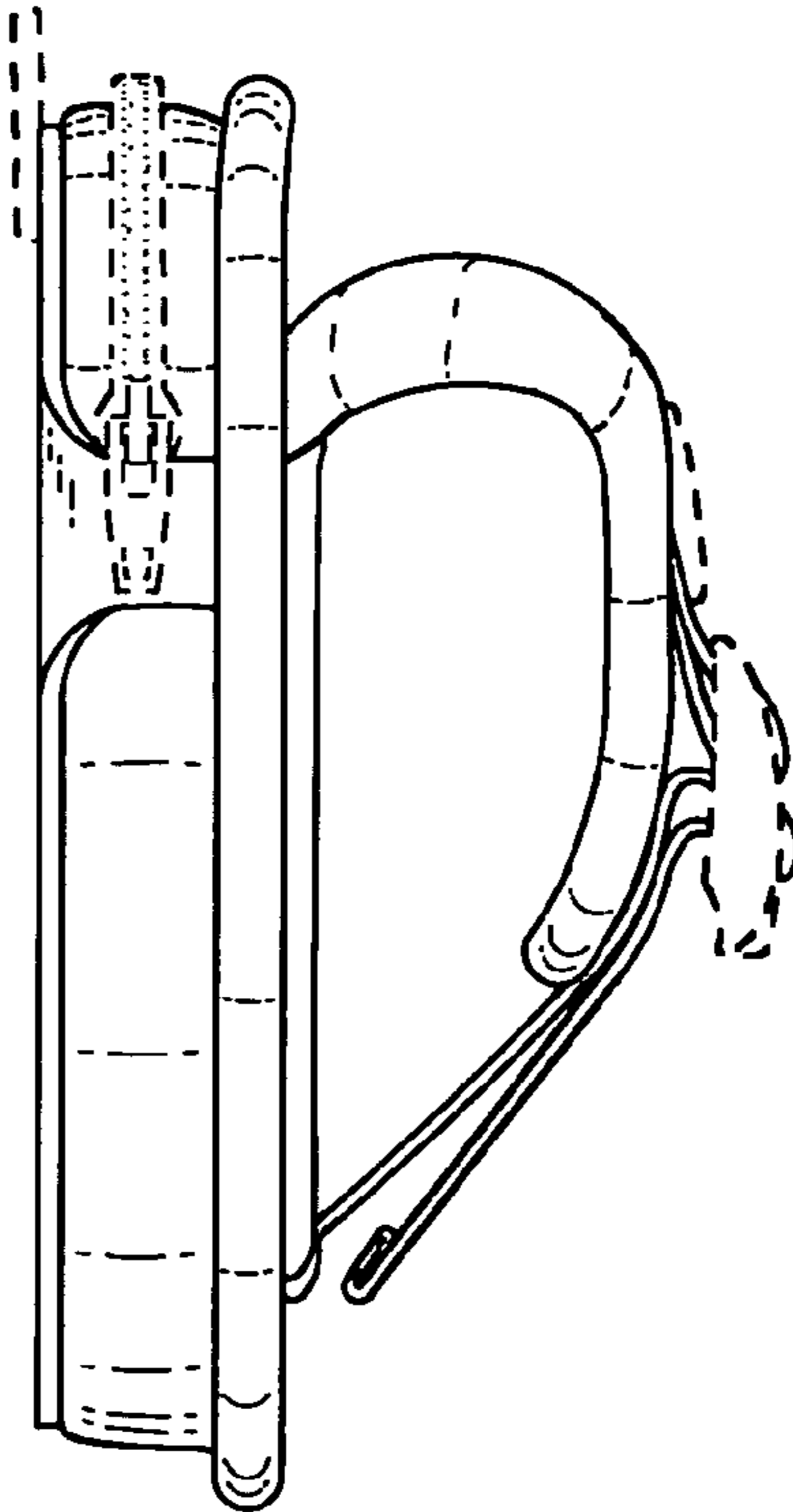


FIG. 6

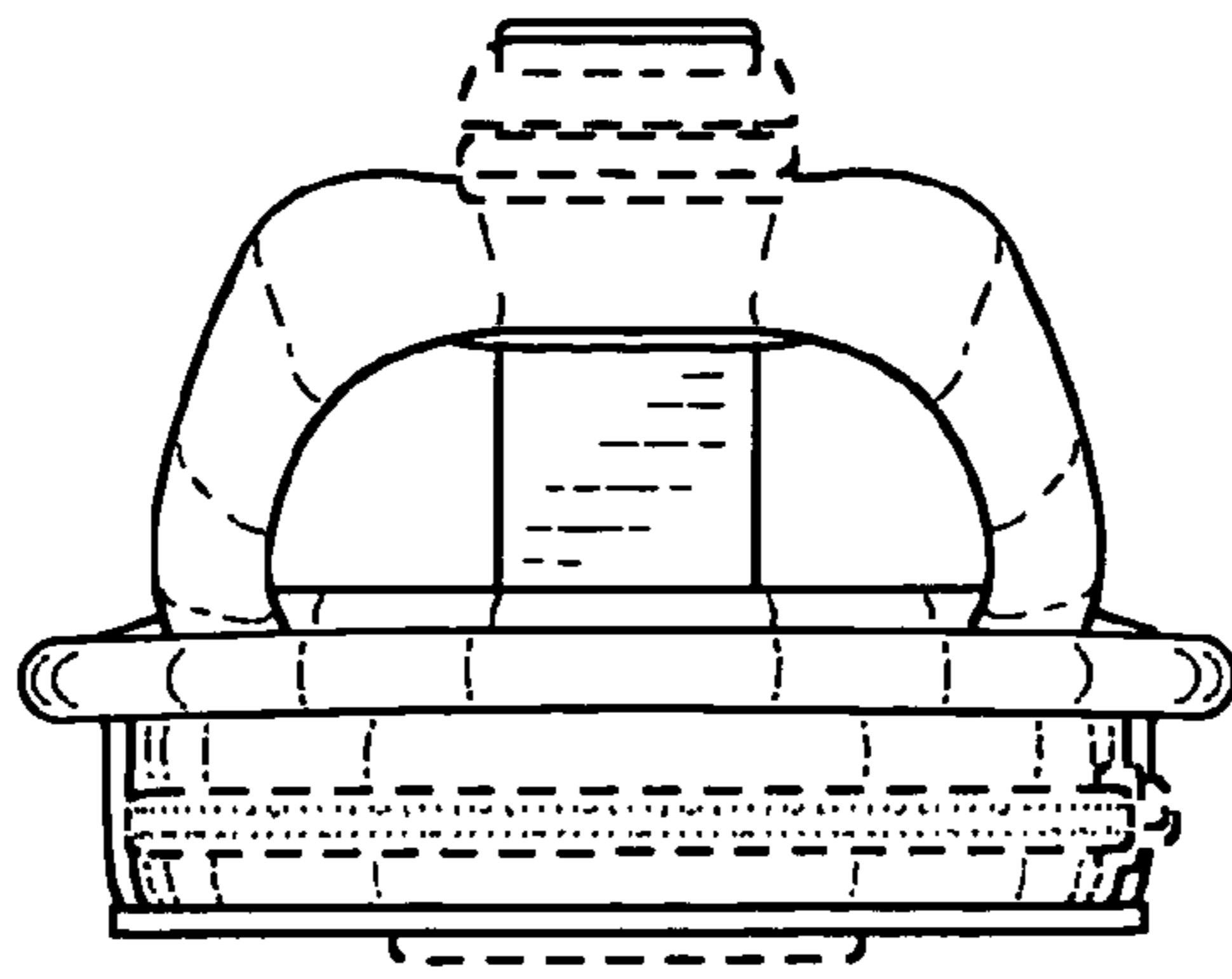


FIG. 8

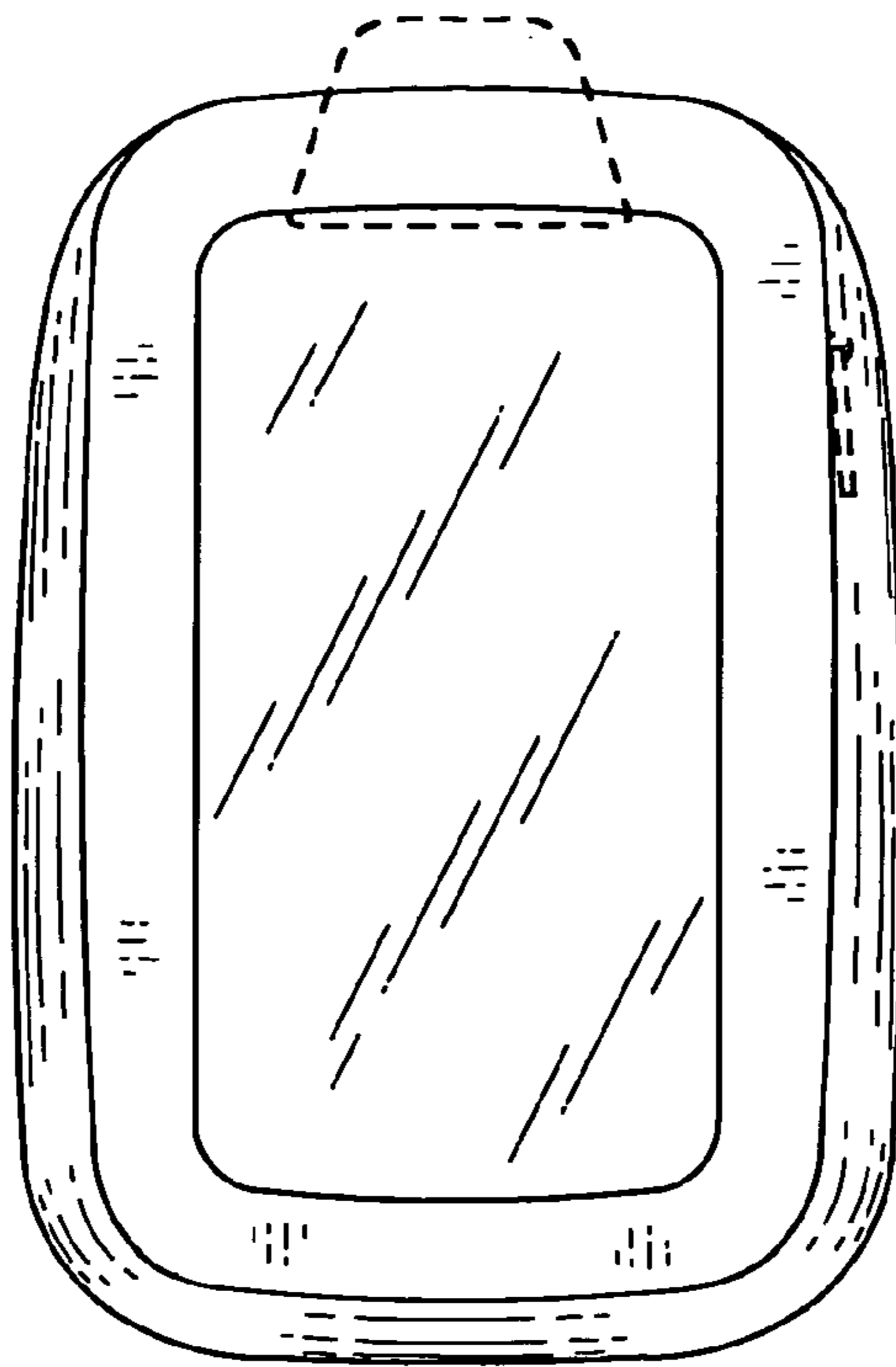


FIG. 7

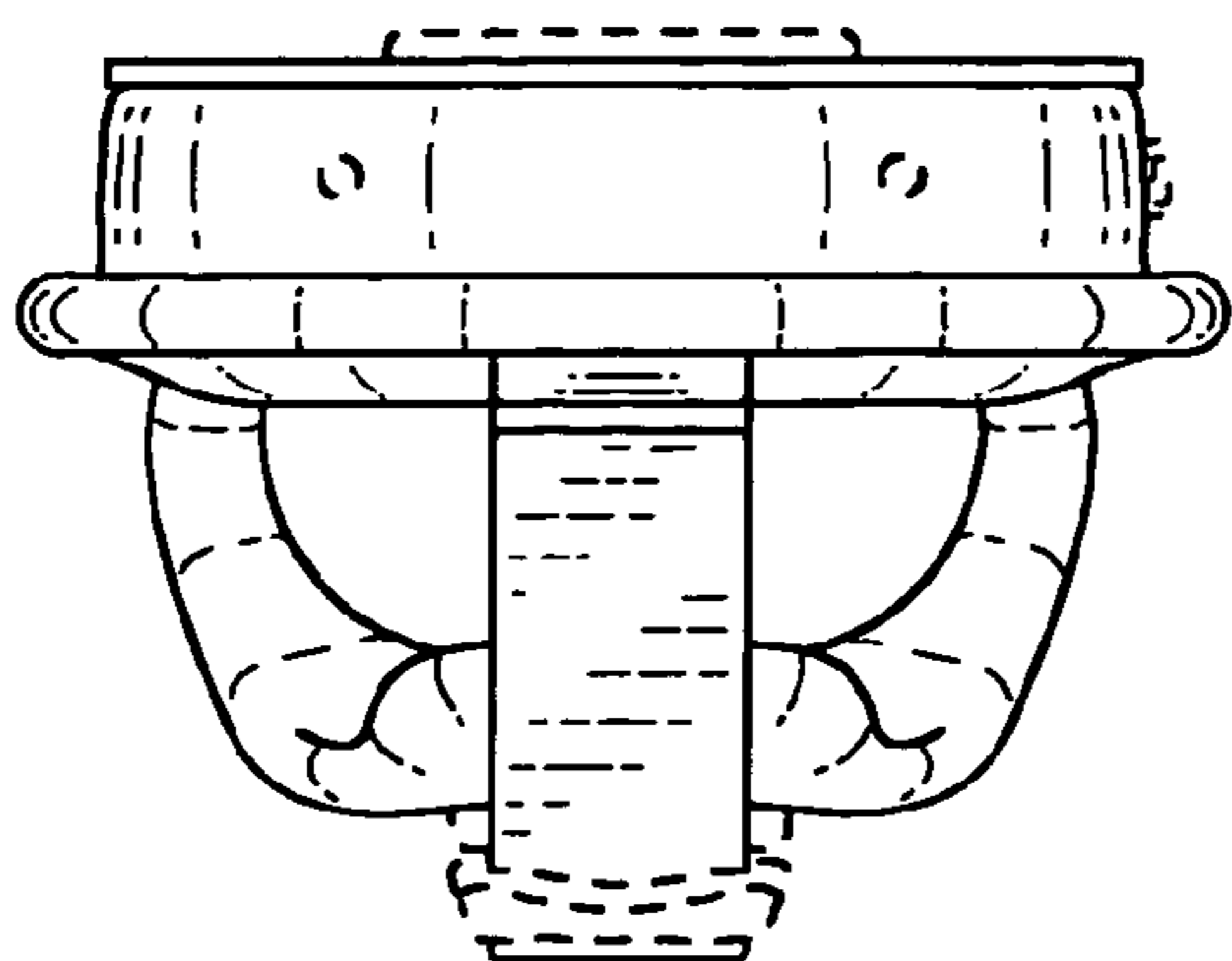


FIG. 9

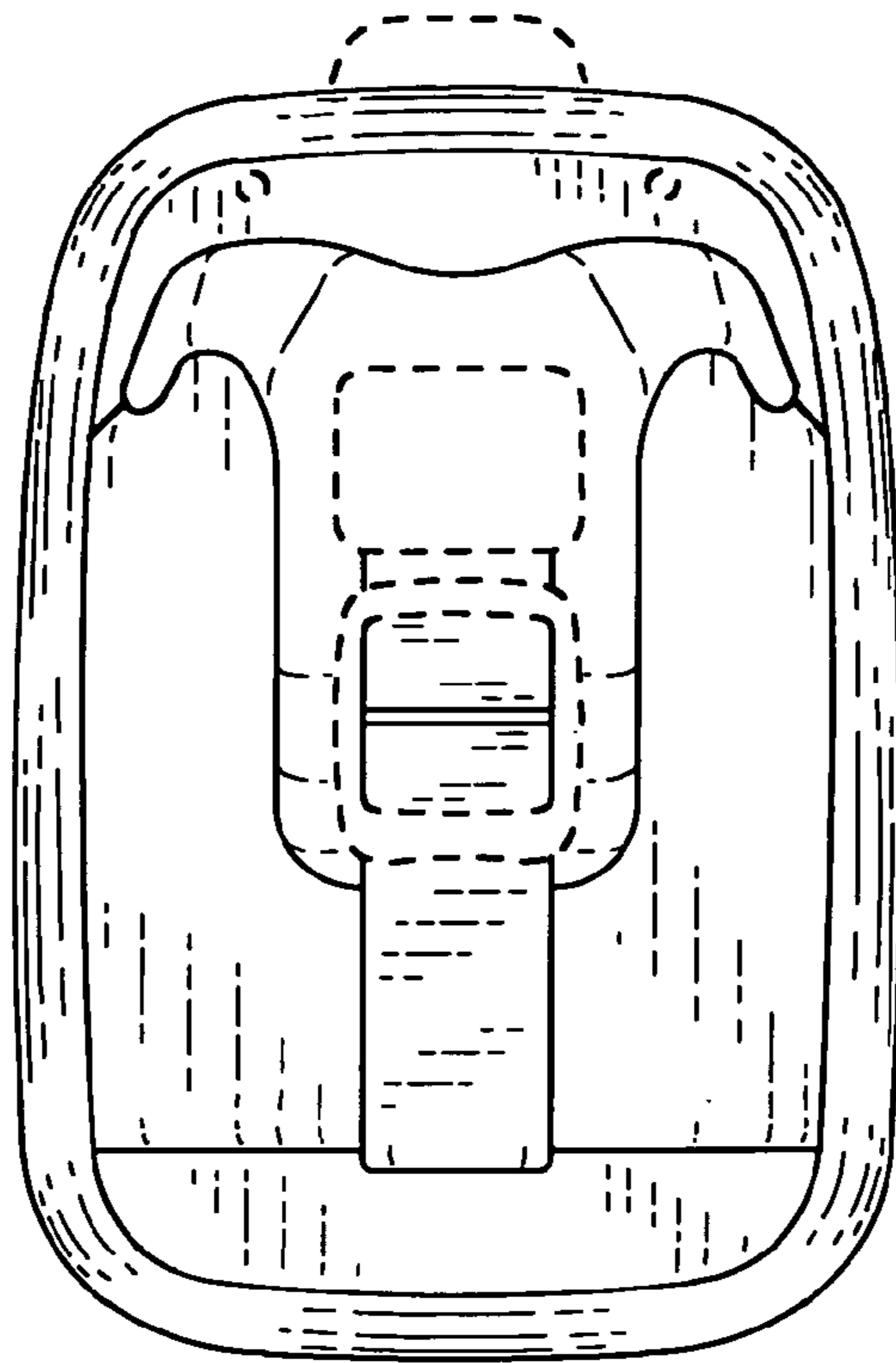


FIG. 10

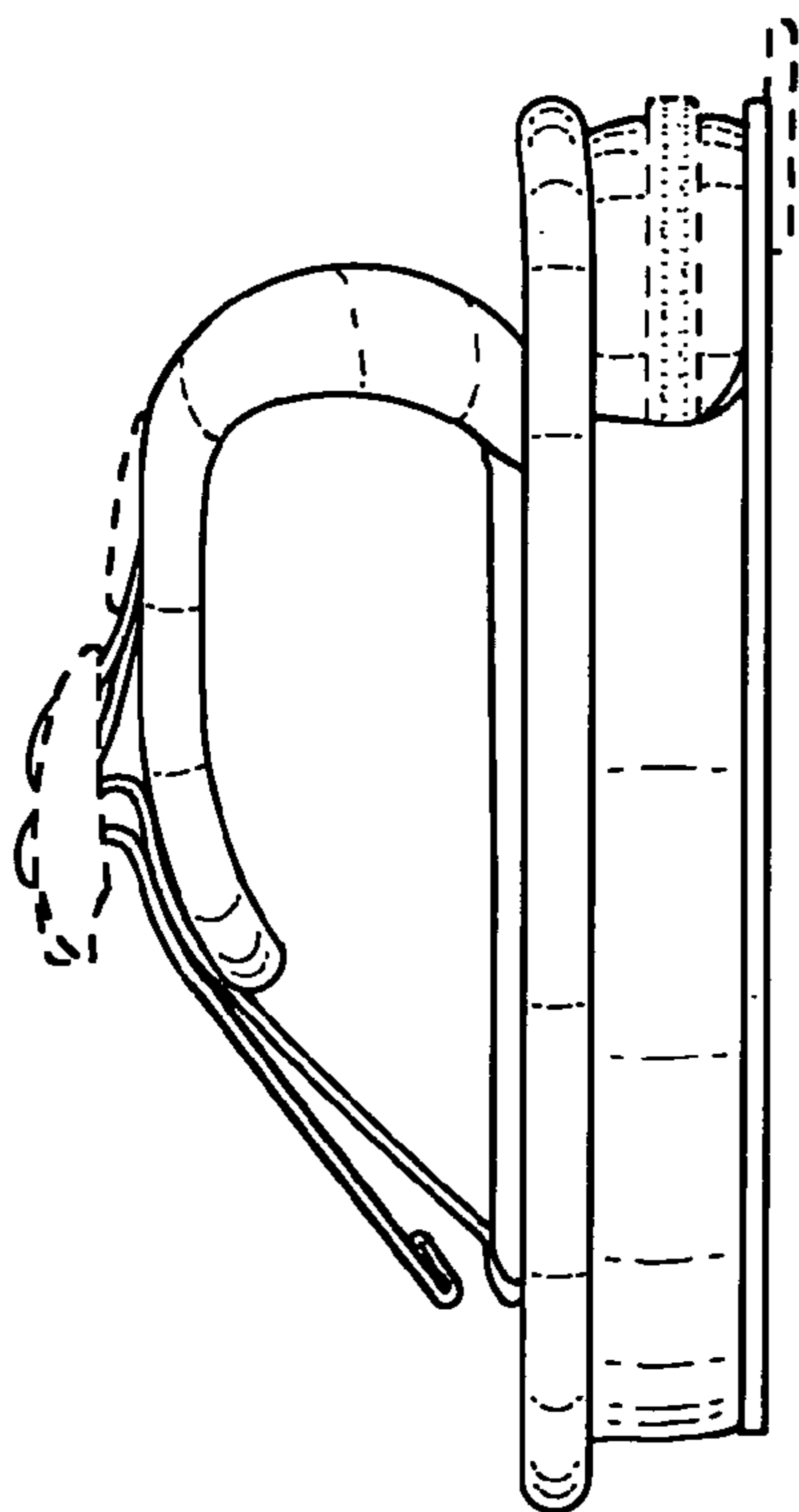


FIG. 11

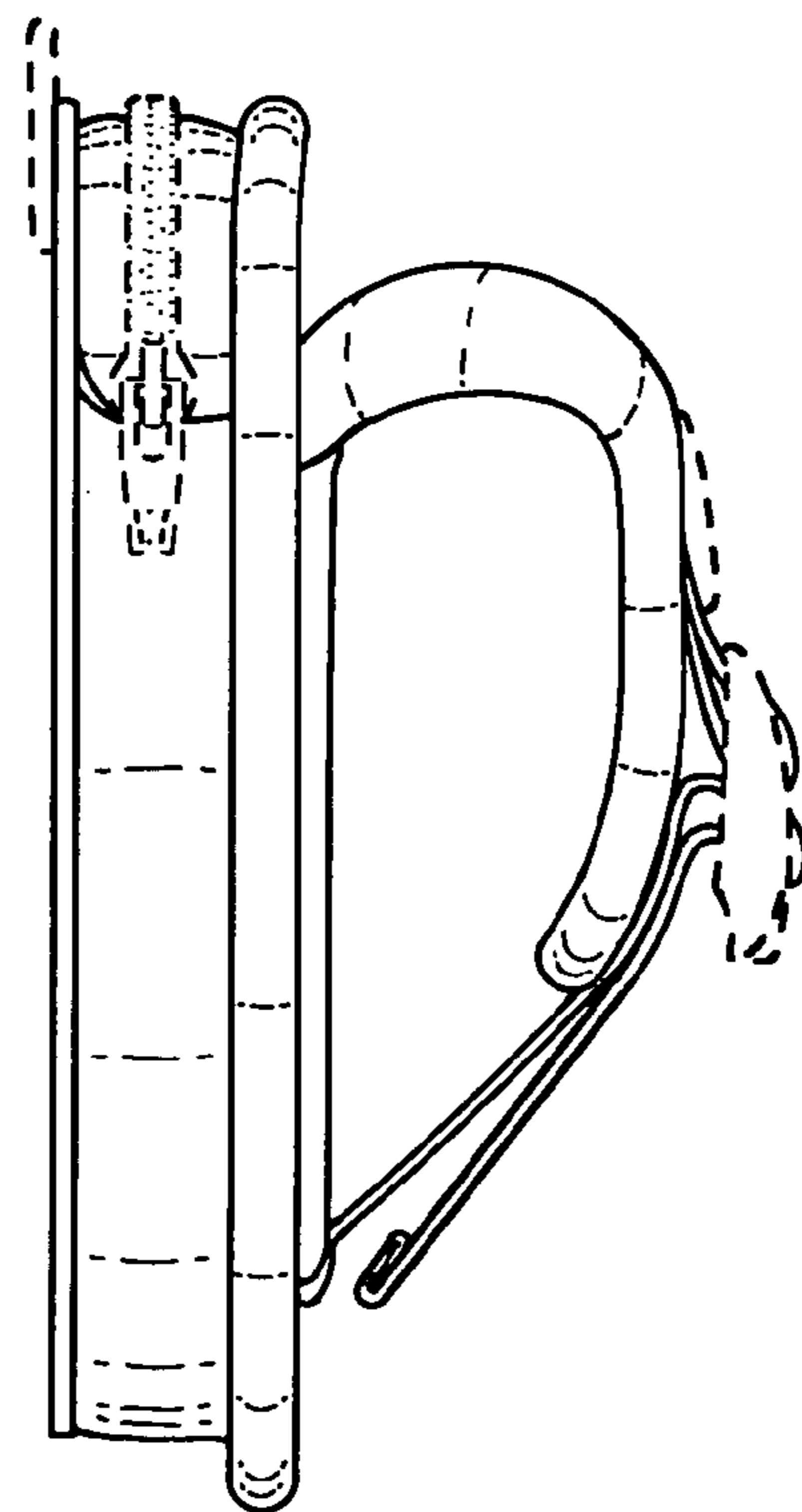


FIG. 12

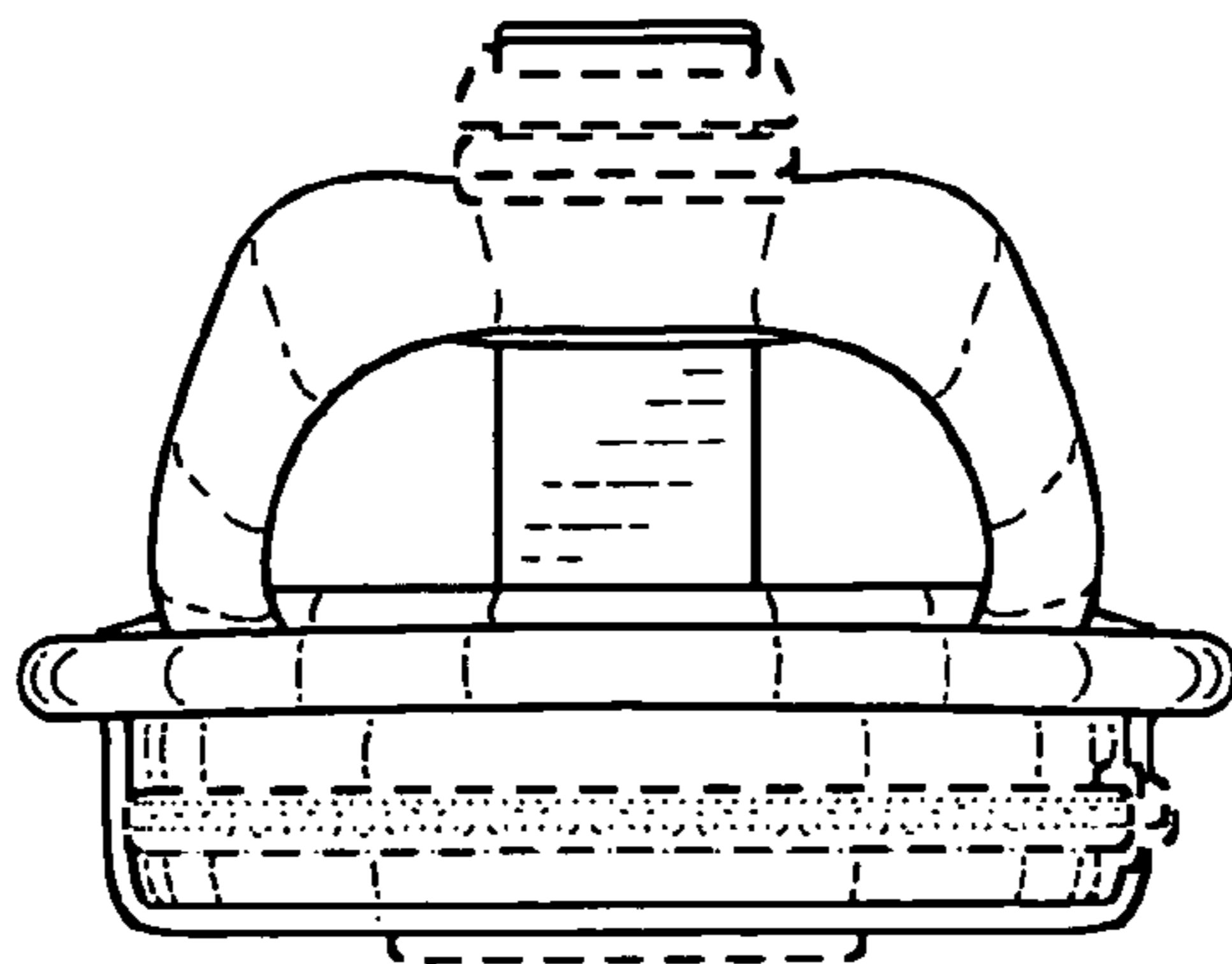


FIG. 14

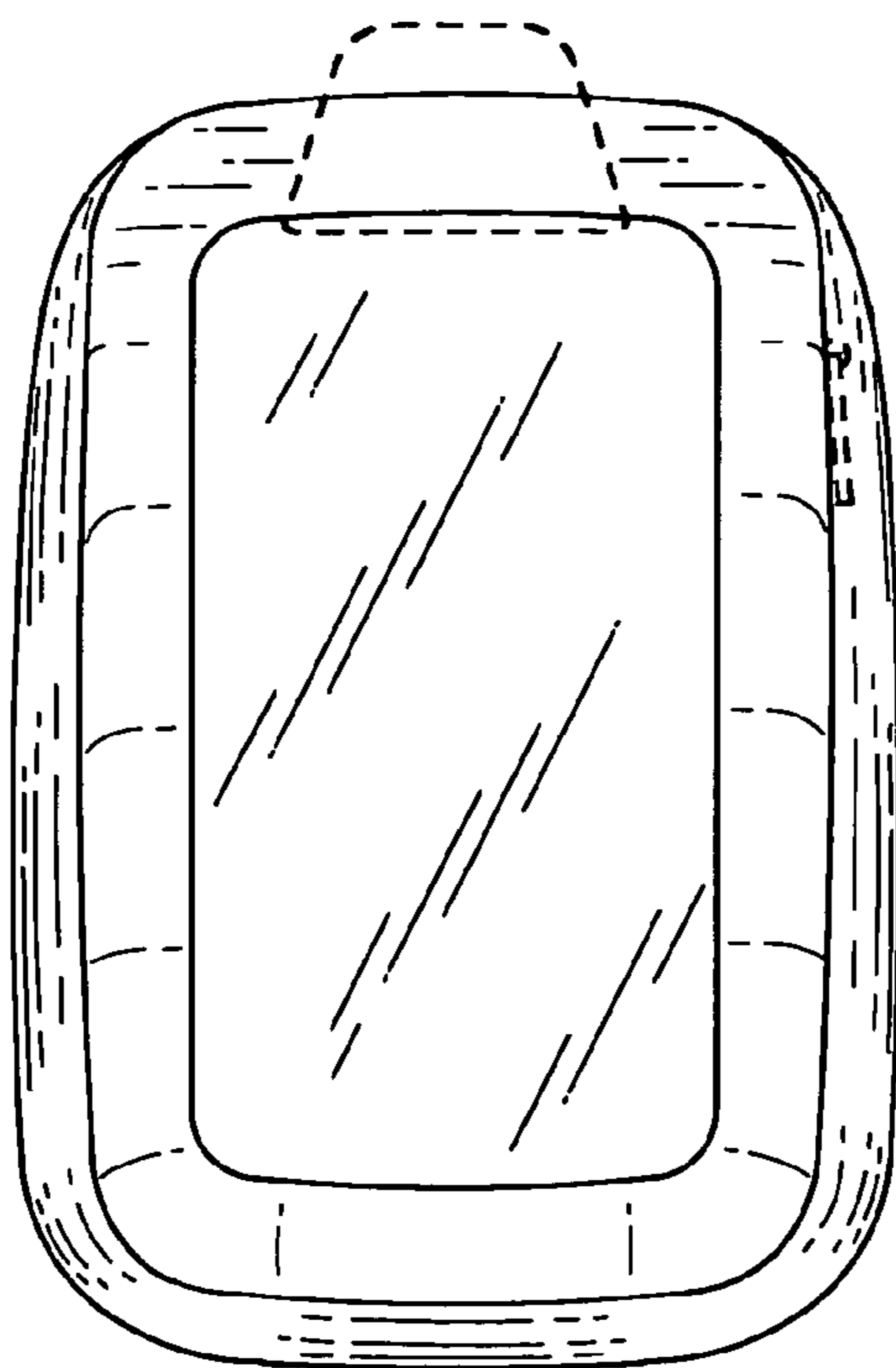


FIG. 13

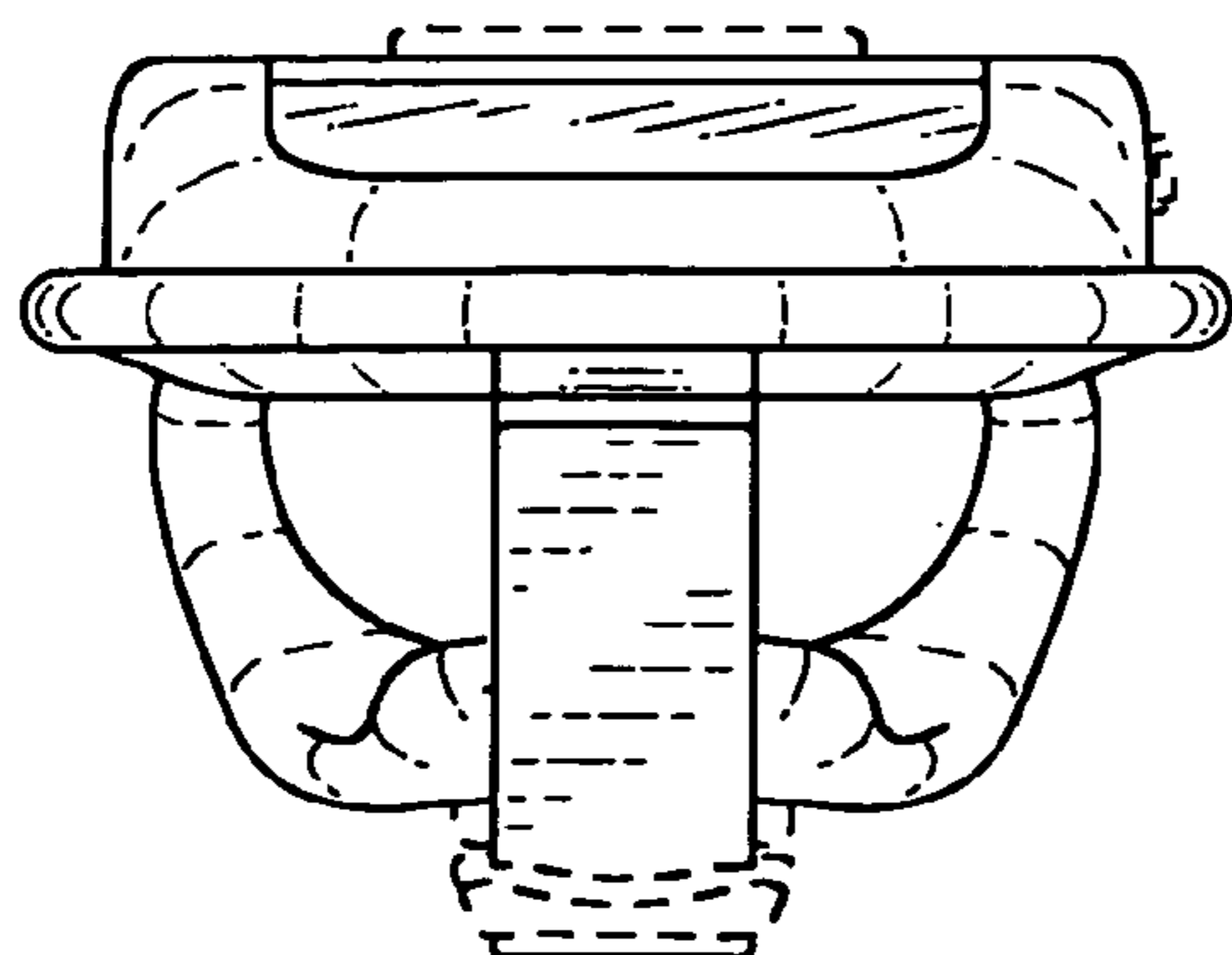


FIG. 15

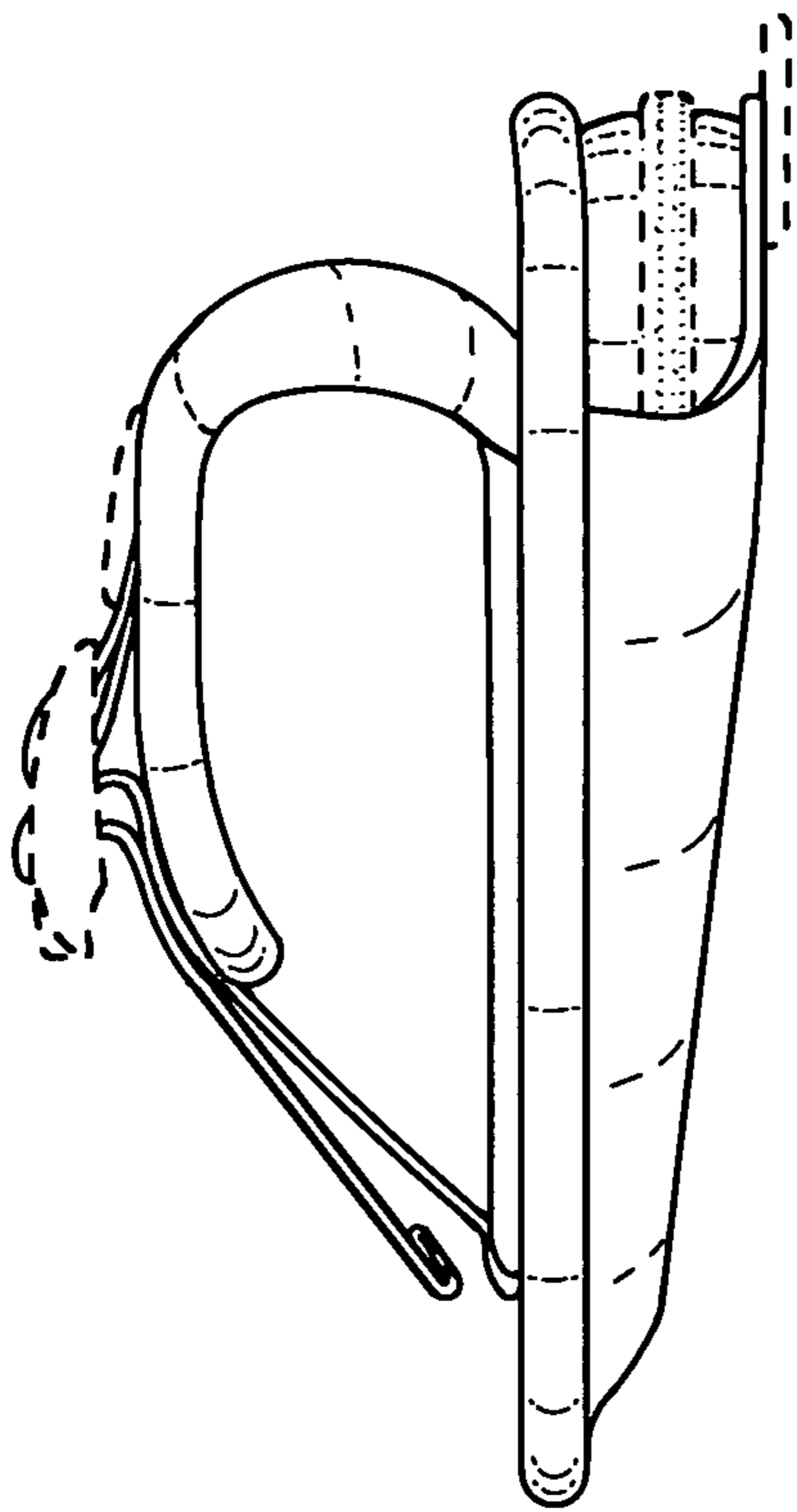


FIG. 16

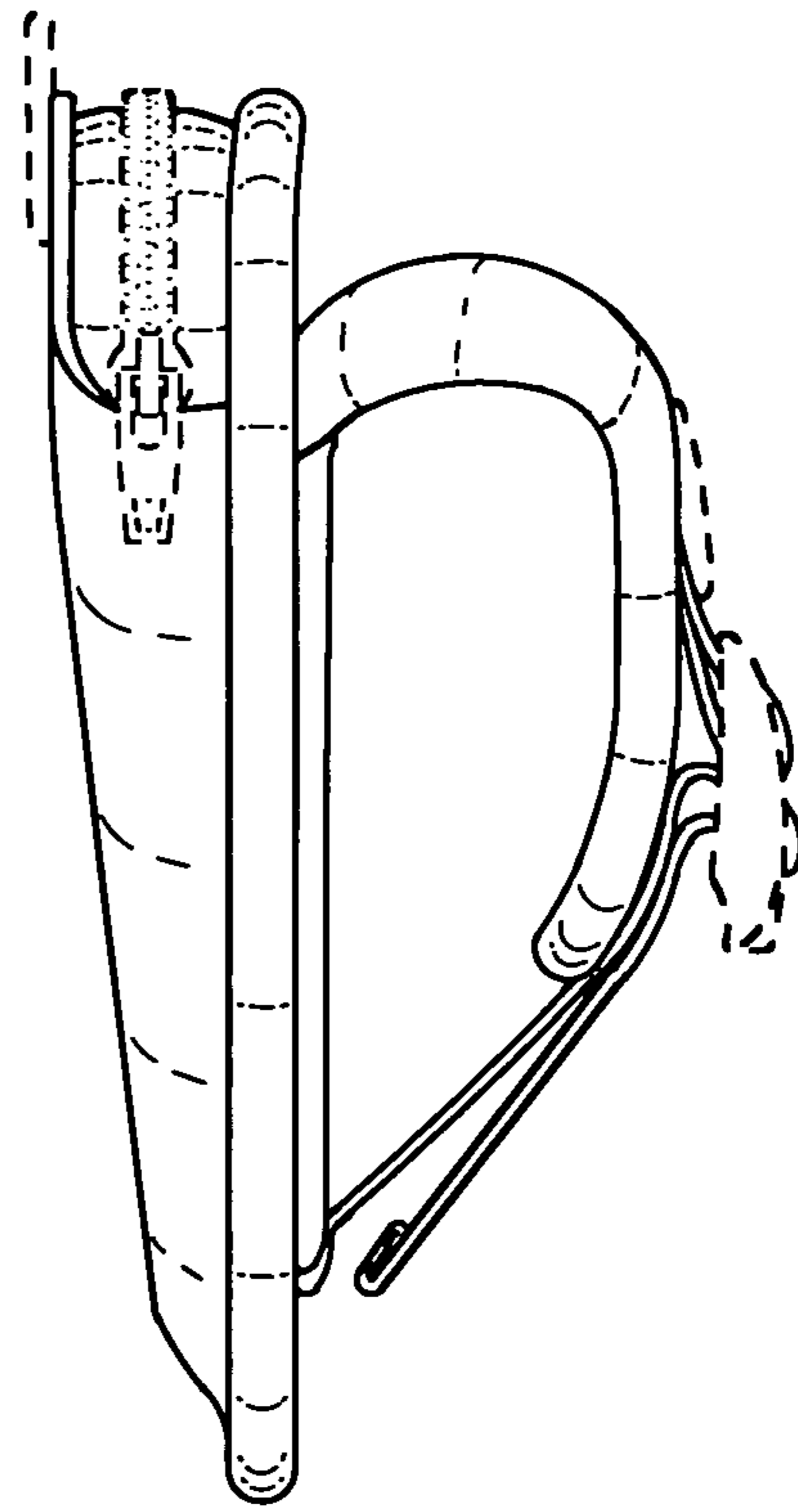


FIG. 17