



US00D680324S

(12) **United States Design Patent**
Phillips et al.

(10) **Patent No.:** **US D680,324 S**

(45) **Date of Patent:** **** *Apr. 23, 2013**

(54) **ELECTRONIC DEVICE FLAP HOLSTER**

(56) **References Cited**

(75) Inventors: **Alison Phillips**, Toronto (CA); **Caitlin Curran-Blaney**, Toronto (CA)

U.S. PATENT DOCUMENTS

(73) Assignee: **Research In Motion Limited**, Waterloo, Ontario (CA)

D382,996 S *	9/1997	Kopel	D3/218
D453,417 S *	2/2002	Badillo et al.	D3/218
D534,720 S *	1/2007	Infanti et al.	D3/218
D606,299 S *	12/2009	Boomhour et al.	D3/201
D606,301 S *	12/2009	Hofer et al.	D3/218

(*) Notice: This patent is subject to a terminal disclaimer.

* cited by examiner

(**) Term: **14 Years**

Primary Examiner — Catheri Oliver-Garcia

(21) Appl. No.: **29/420,018**

(57) **CLAIM**
We claim the ornamental design for an electronic device flap holster, as shown and described.

(22) Filed: **May 3, 2012**

DESCRIPTION

(51) **LOC (9) Cl.** **03-01**

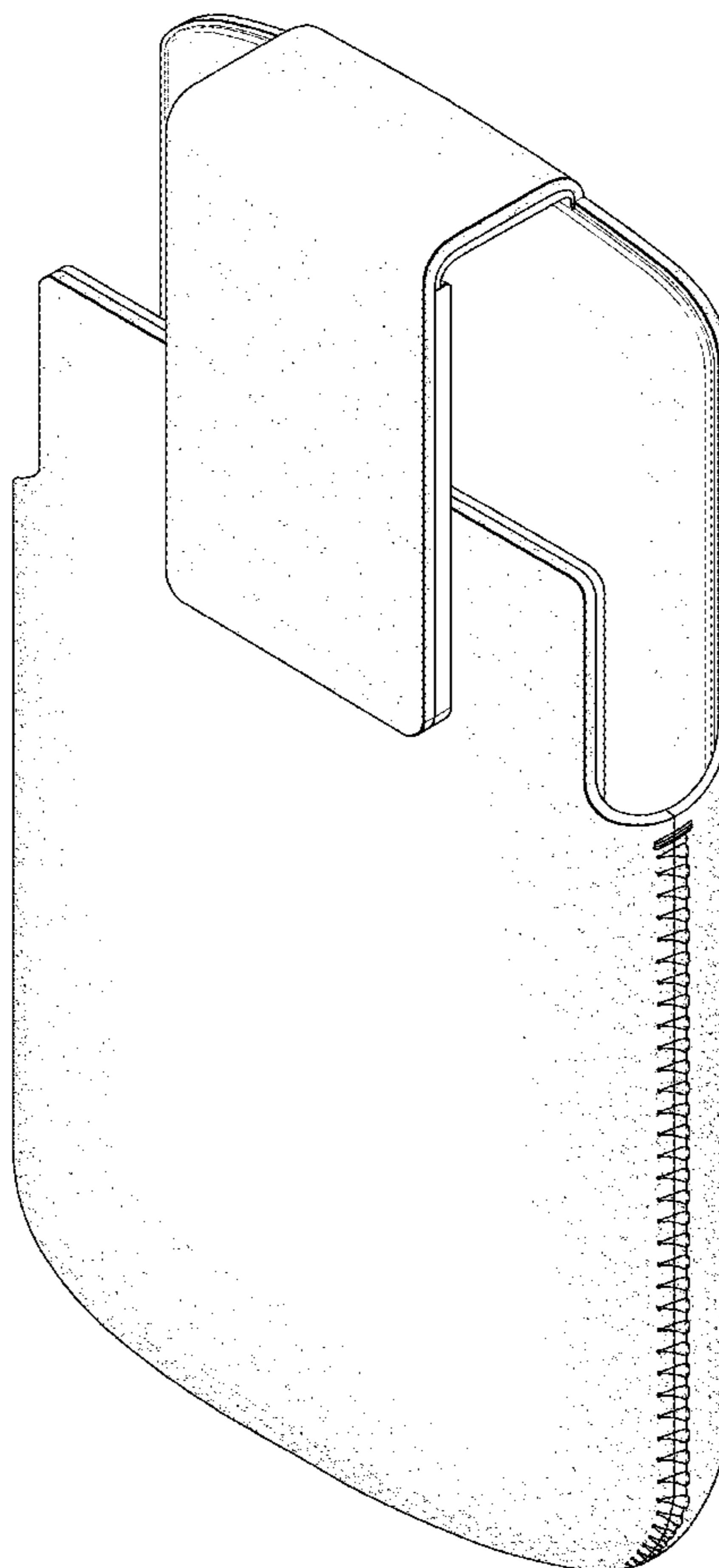
(52) **U.S. Cl.**
USPC **D3/218**

(58) **Field of Classification Search** D3/201,
D3/226, 215–219, 228, 269, 272–273, 299,
D3/303; 206/305, 320; D14/138, 250, 253,
D14/496; 224/240–241, 268–271, 197, 930,
224/904, 245, 682–683; 455/575.1–575.8

FIG. 1 is a front perspective view of an electronic device flap holster;
FIG. 2 is a front elevational view thereof;
FIG. 3 is a rear elevational view thereof;
FIG. 4 is a left elevational view thereof;
FIG. 5 is a right elevational view thereof;
FIG. 6 is a top plan view thereof; and,
FIG. 7 is a bottom plan view thereof.

See application file for complete search history.

1 Claim, 5 Drawing Sheets



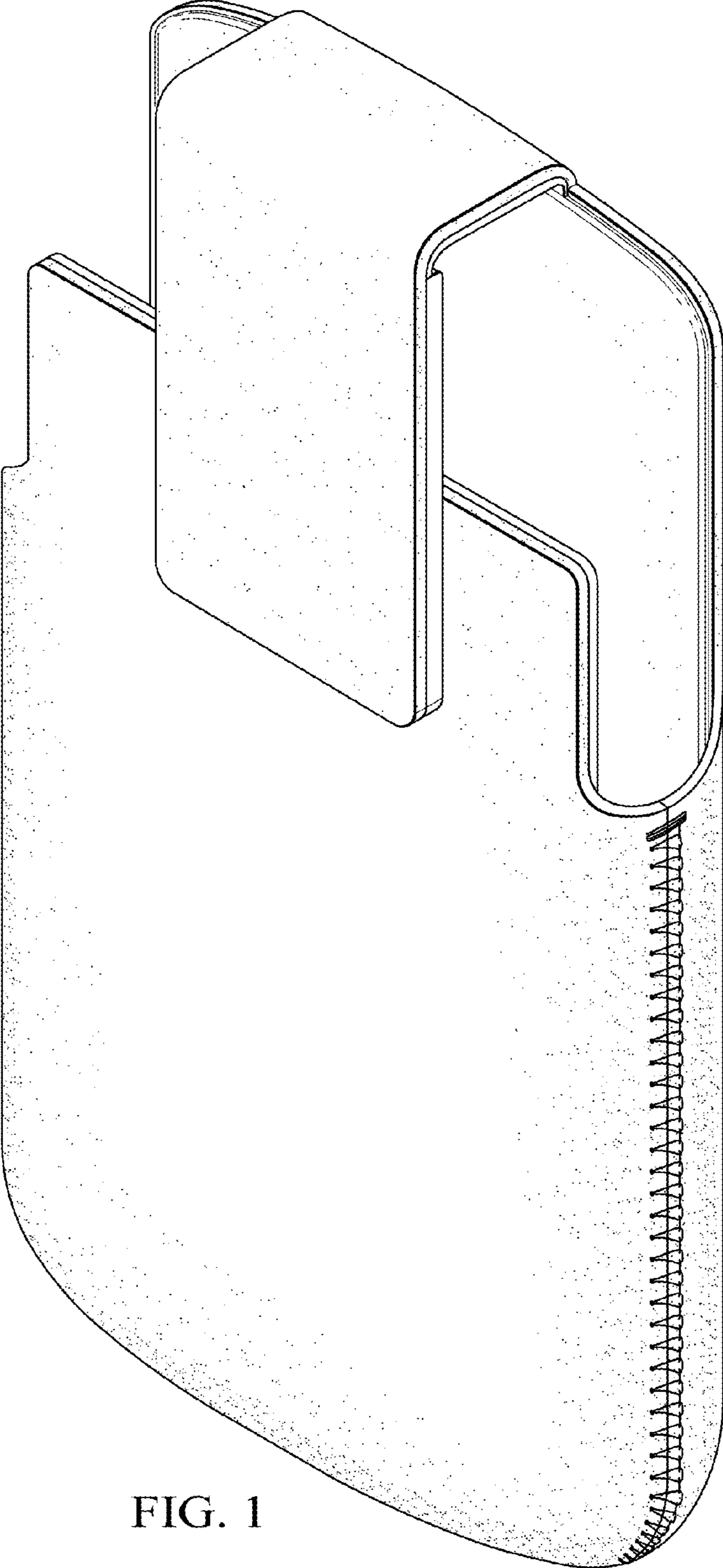


FIG. 1

FIG. 2

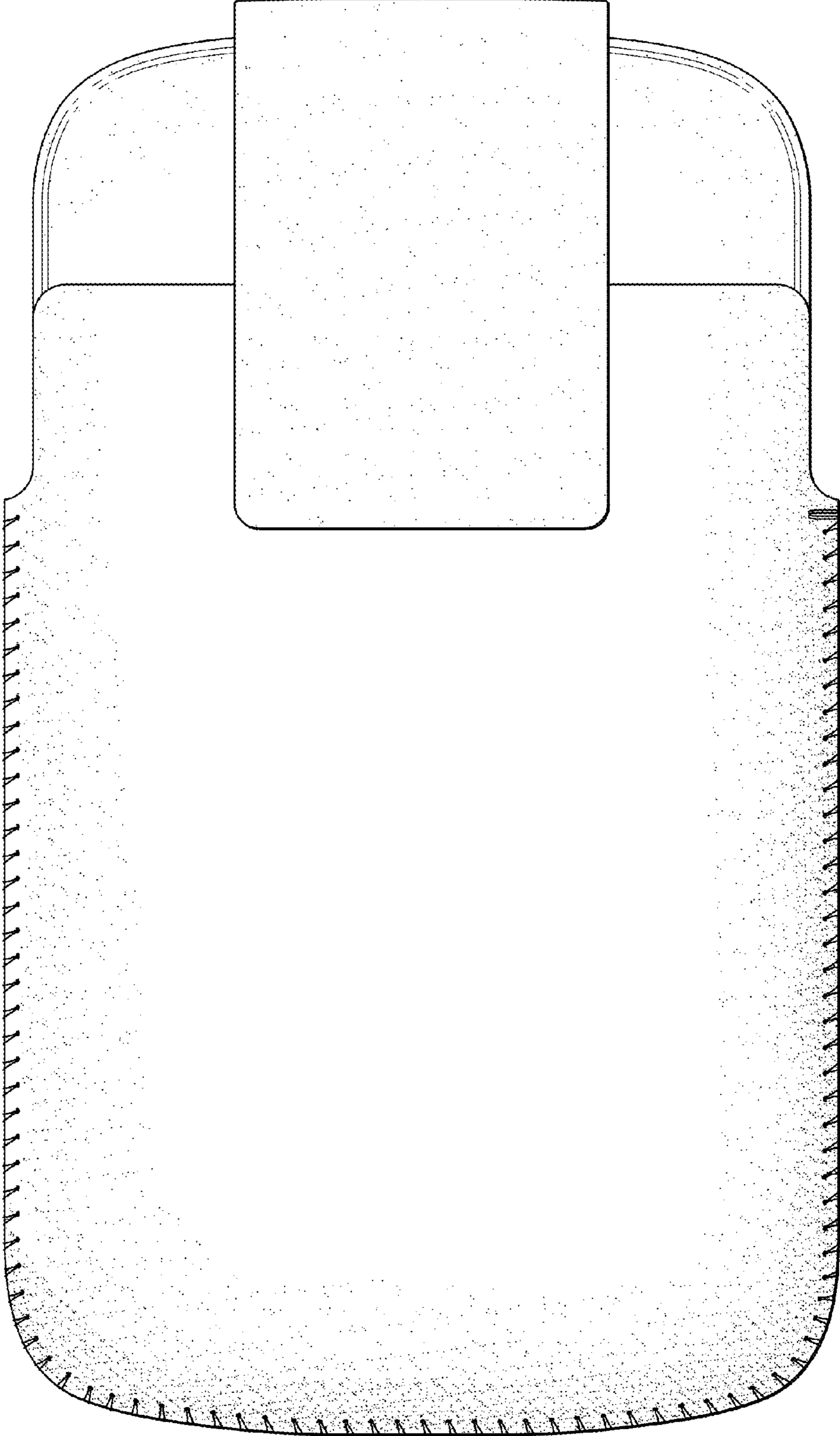


FIG. 3

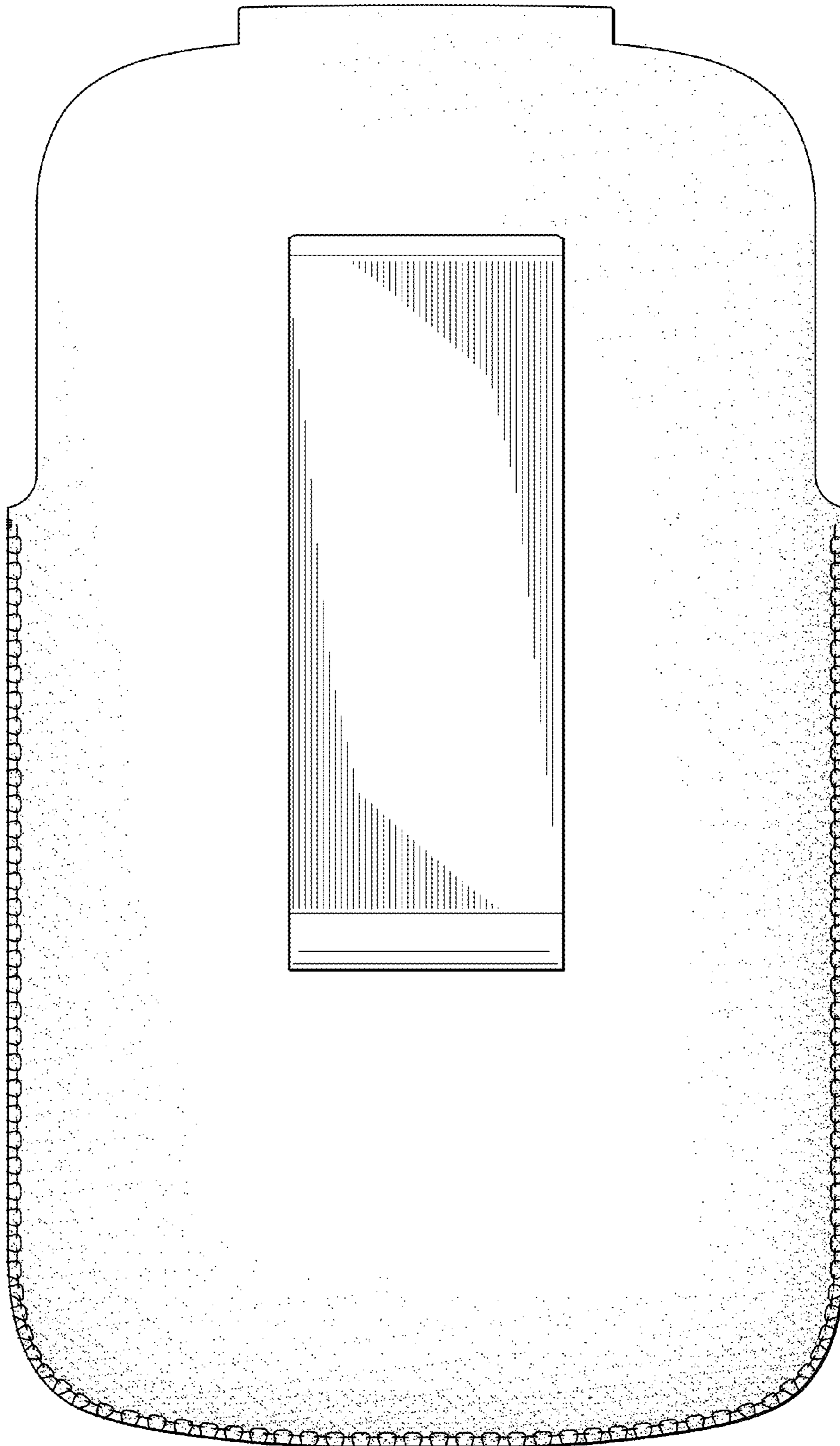


FIG. 4

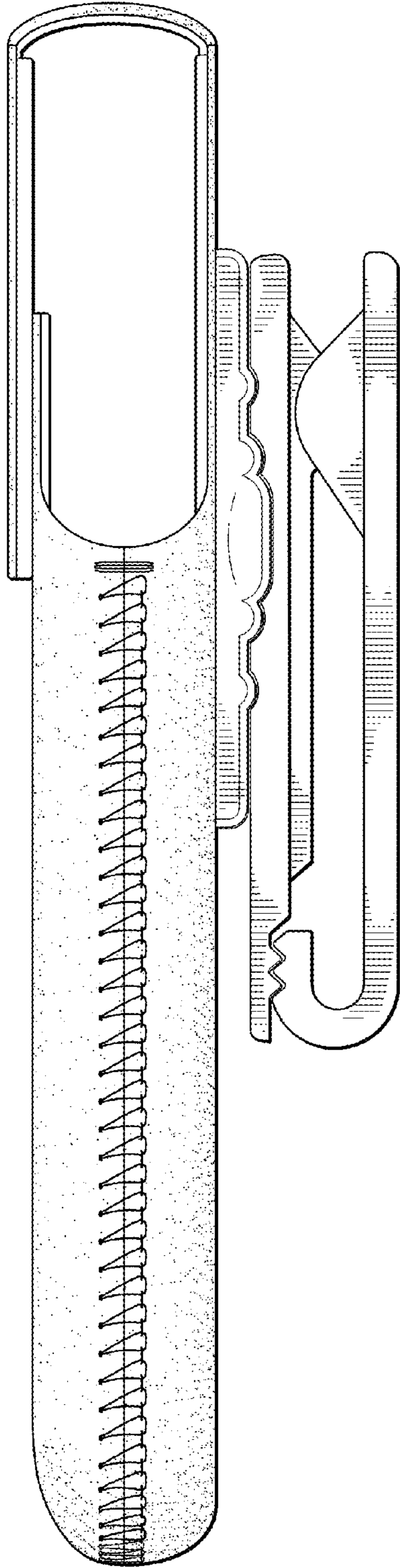
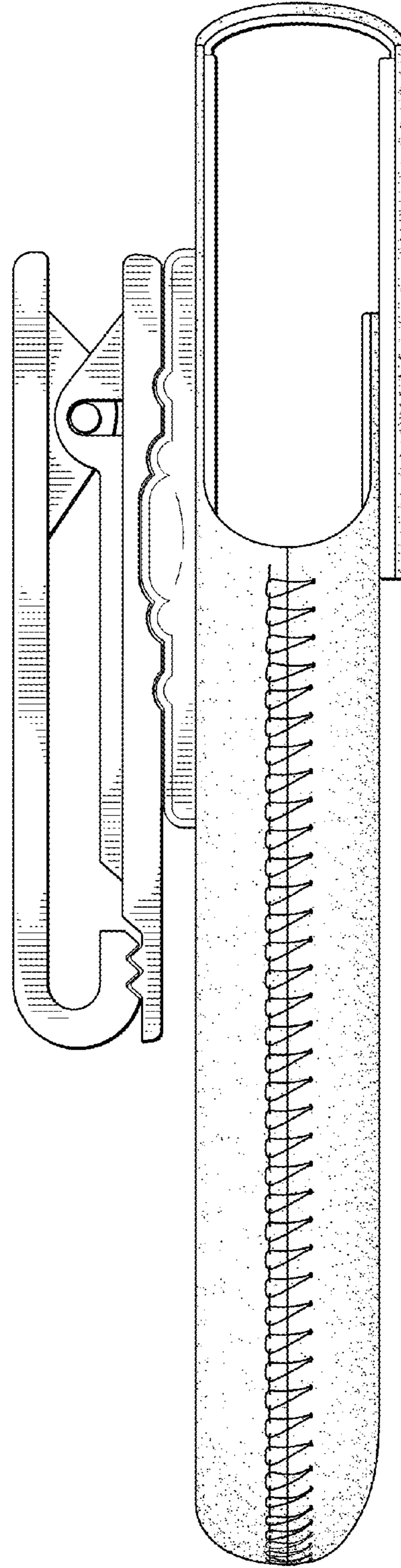


FIG. 5



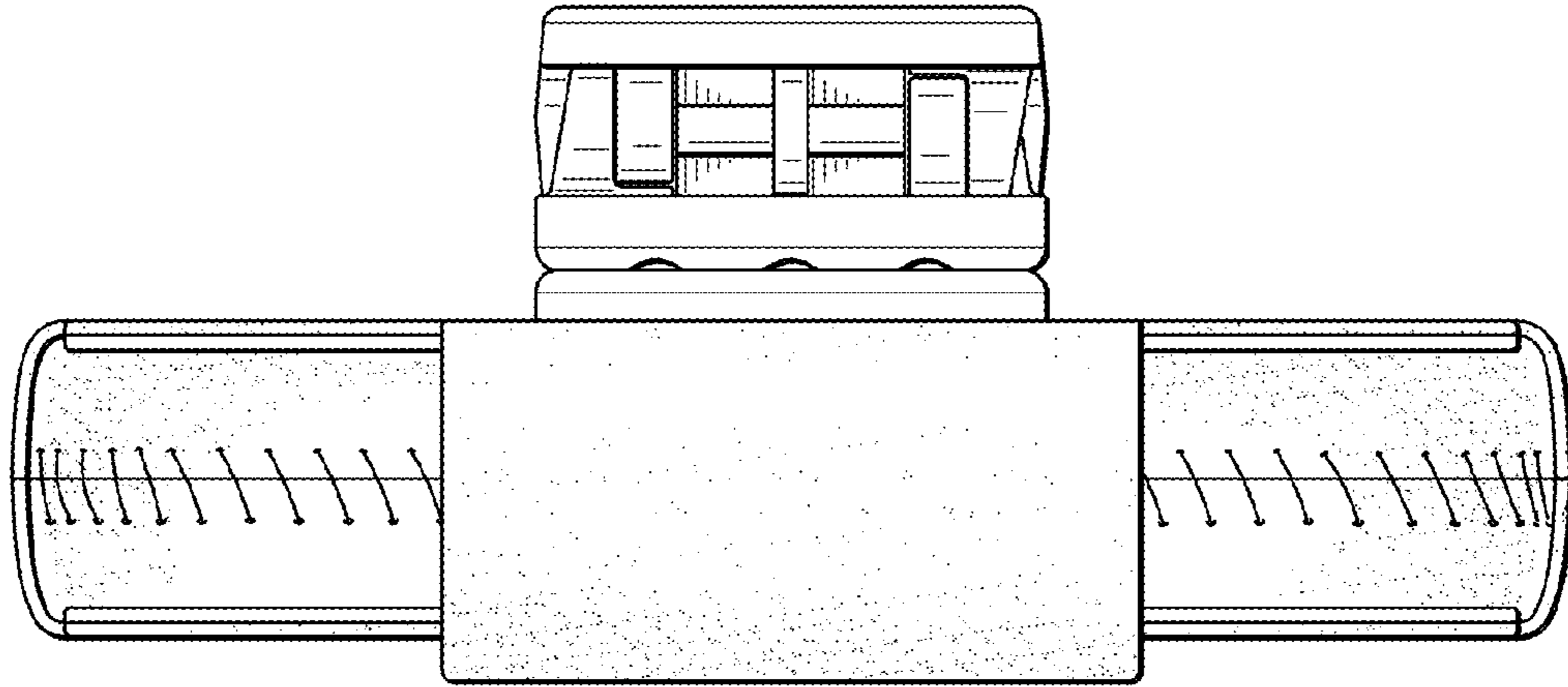


FIG. 6

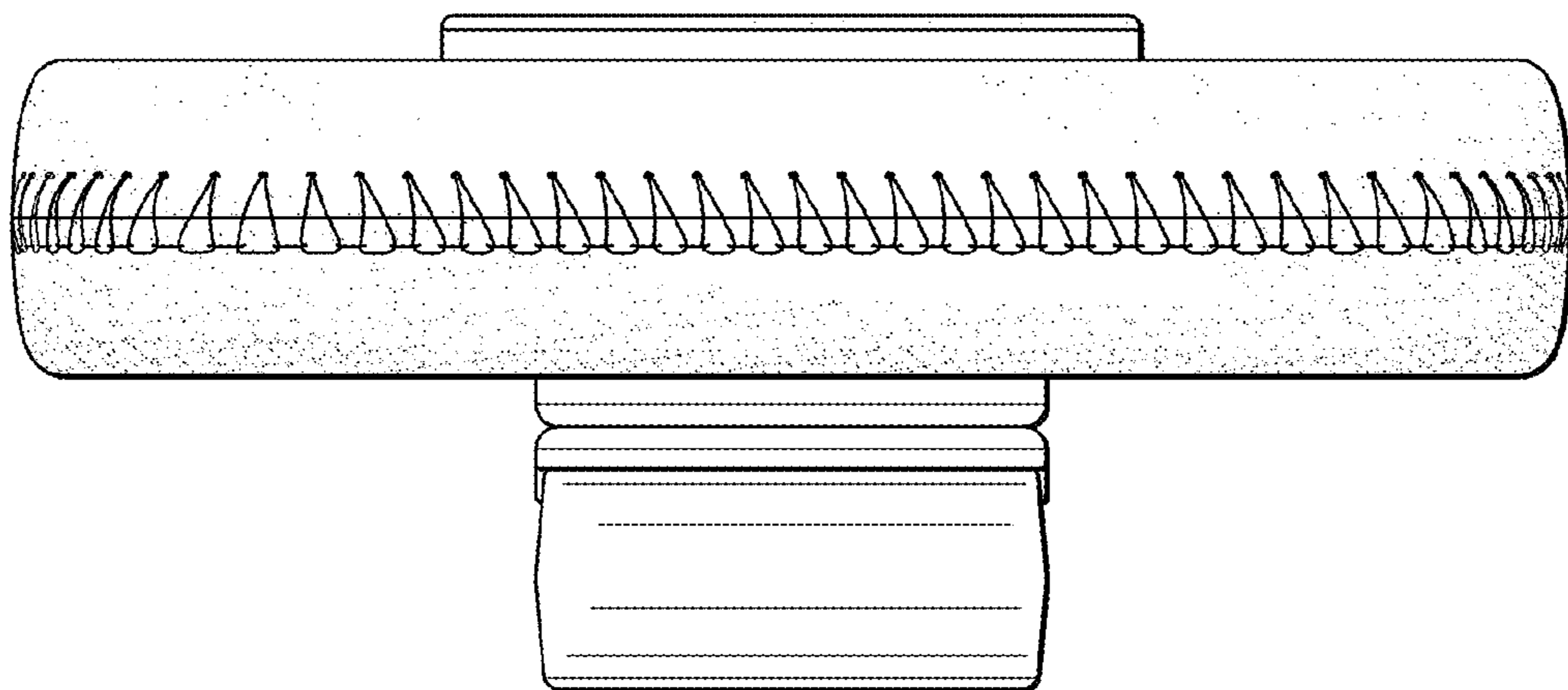


FIG. 7