



US00D680323S

(12) **United States Design Patent**  
**Phillips et al.**

(10) **Patent No.:** **US D680,323 S**

(45) **Date of Patent:** **\*\* \*Apr. 23, 2013**

(54) **ELECTRONIC DEVICE FLAP HOLSTER**

(56)

**References Cited**

(75) Inventors: **Alison Phillips**, Toronto (CA); **Caitlin Curran-Blaney**, Toronto (CA)

U.S. PATENT DOCUMENTS

(73) Assignee: **Research In Motion Limited**, Waterloo, Ontario (CA)

D382,996 S *	9/1997	Kopel .....	D3/218
D453,417 S *	2/2002	Badillo et al. ....	D3/218
D534,720 S *	1/2007	Infanti et al. ....	D3/218
D606,299 S *	12/2009	Boomhour et al. ....	D3/201
D606,301 S *	12/2009	Hofer et al. ....	D3/218

(\*) Notice: This patent is subject to a terminal disclaimer.

\* cited by examiner

(\*\*) Term: **14 Years**

*Primary Examiner* — Catheri Oliver-Garcia

(21) Appl. No.: **29/419,291**

(57) **CLAIM**  
We claim the ornamental design for an electronic device flap holster, as shown and described.

(22) Filed: **Apr. 26, 2012**

**DESCRIPTION**

(51) **LOC (9) Cl.** ..... **03-01**

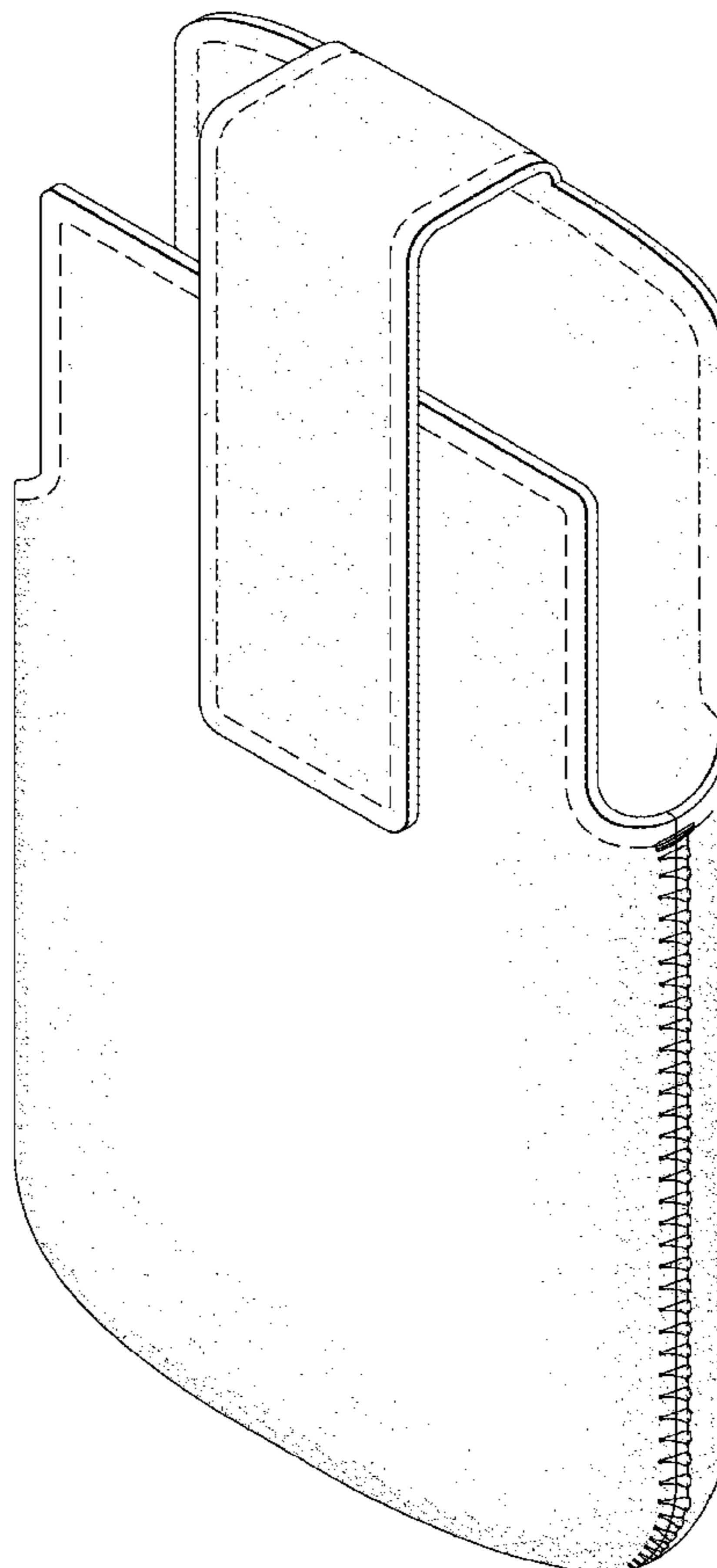
(52) **U.S. Cl.**  
USPC ..... **D3/218**

(58) **Field of Classification Search** ..... D3/218,  
D3/201, 215–219, 226, 228, 269, 265, 247–249,  
D3/272–273, 303; 206/305, 320; 455/575.1–575.8;  
379/455; 224/666, 674–677, 680–683, 240,  
224/901; D14/496, 250, 253

FIG. 1 is a front perspective view of an electronic device flap holster;  
FIG. 2 is a front elevational view thereof;  
FIG. 3 is a rear elevational view thereof;  
FIG. 4 is a left elevational view thereof;  
FIG. 5 is a right elevational view thereof;  
FIG. 6 is a top plan view thereof; and,  
FIG. 7 is a bottom plan view thereof.

See application file for complete search history.

**1 Claim, 5 Drawing Sheets**



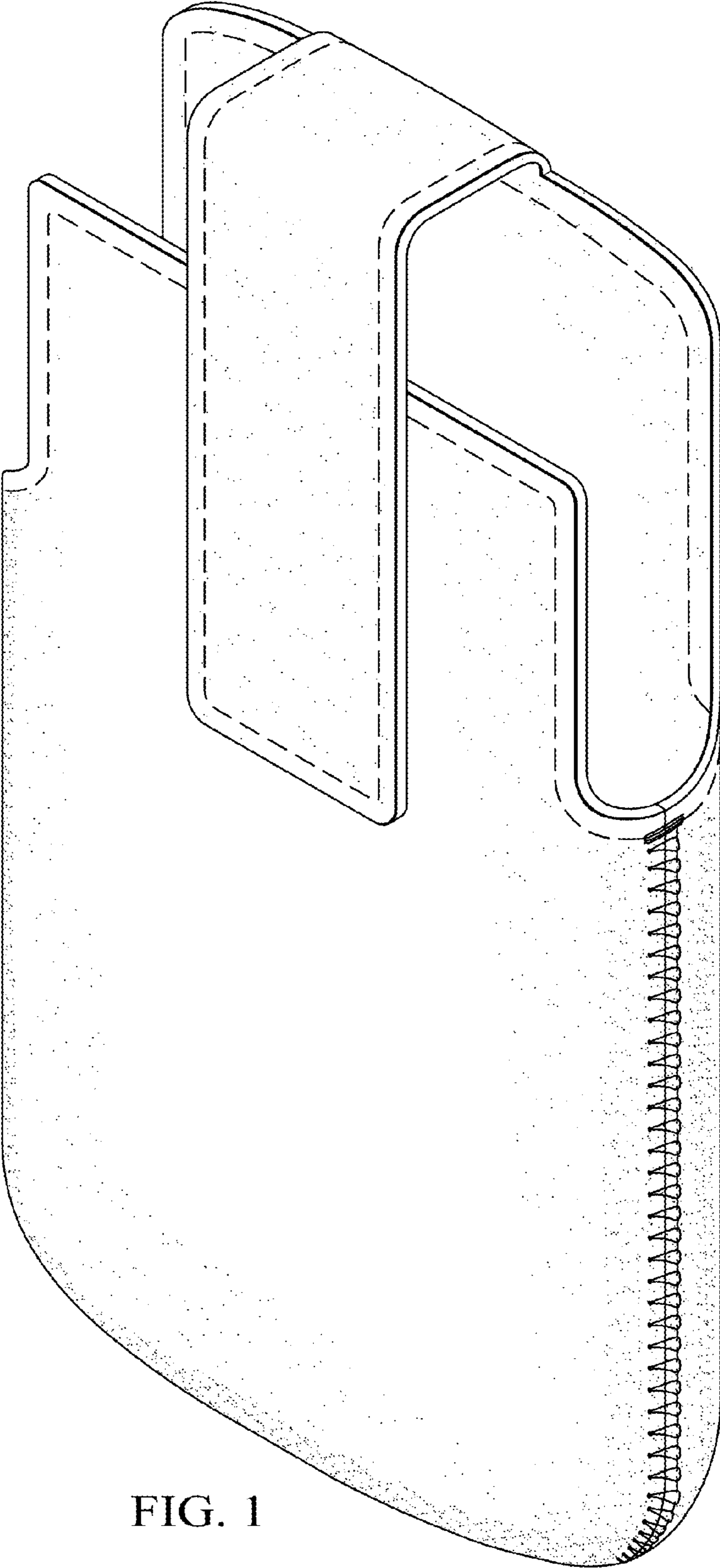


FIG. 1

FIG. 2

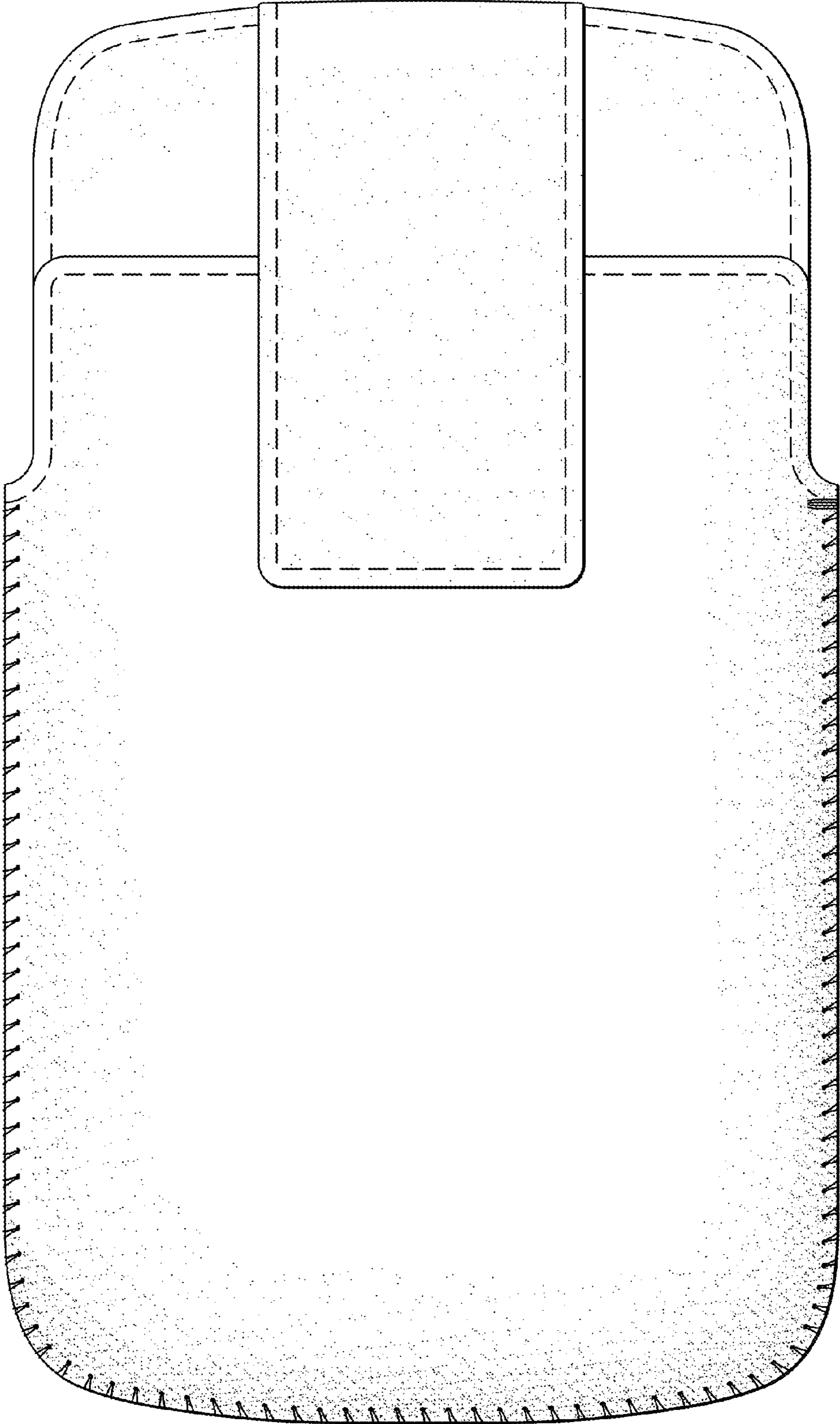


FIG. 3

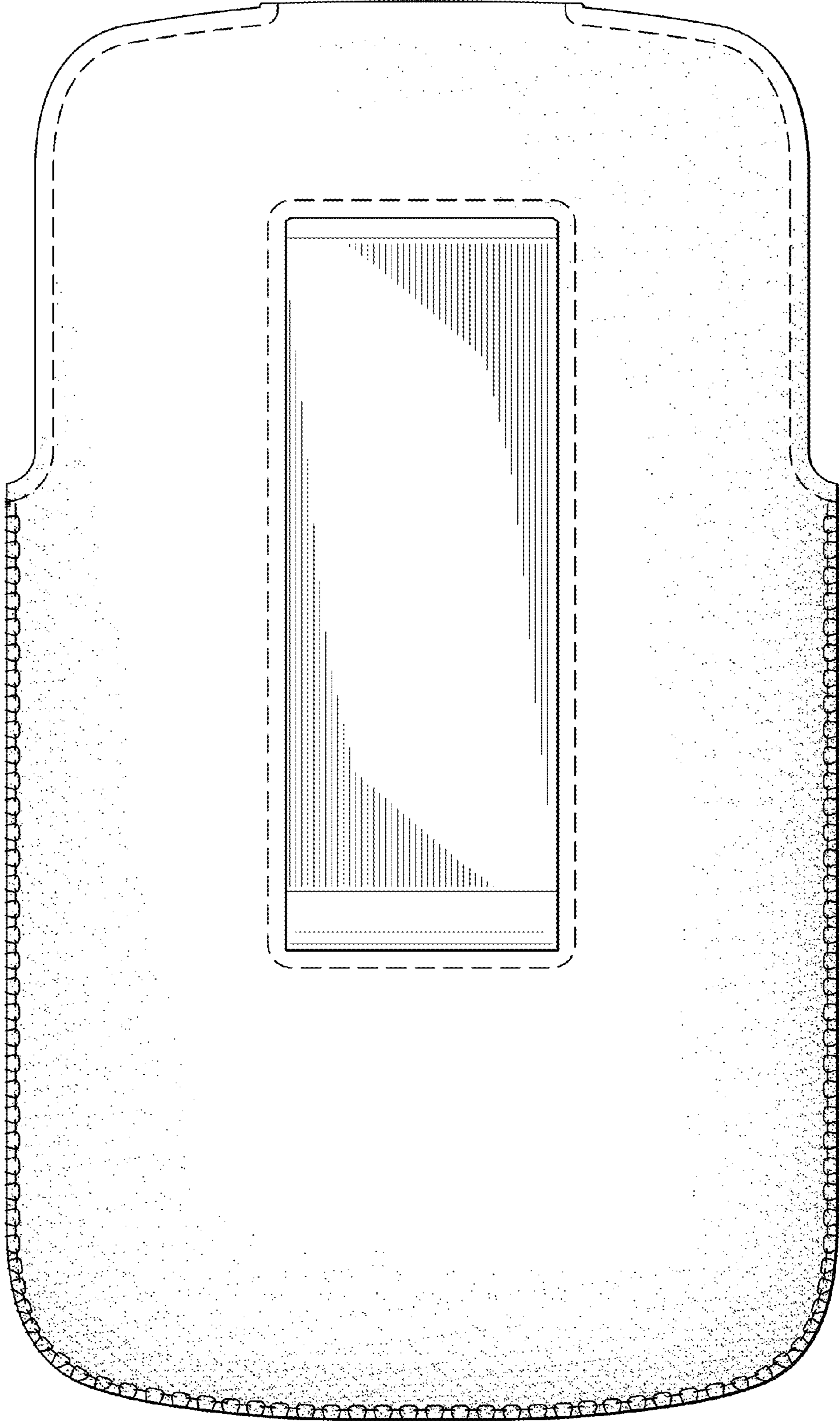


FIG. 4

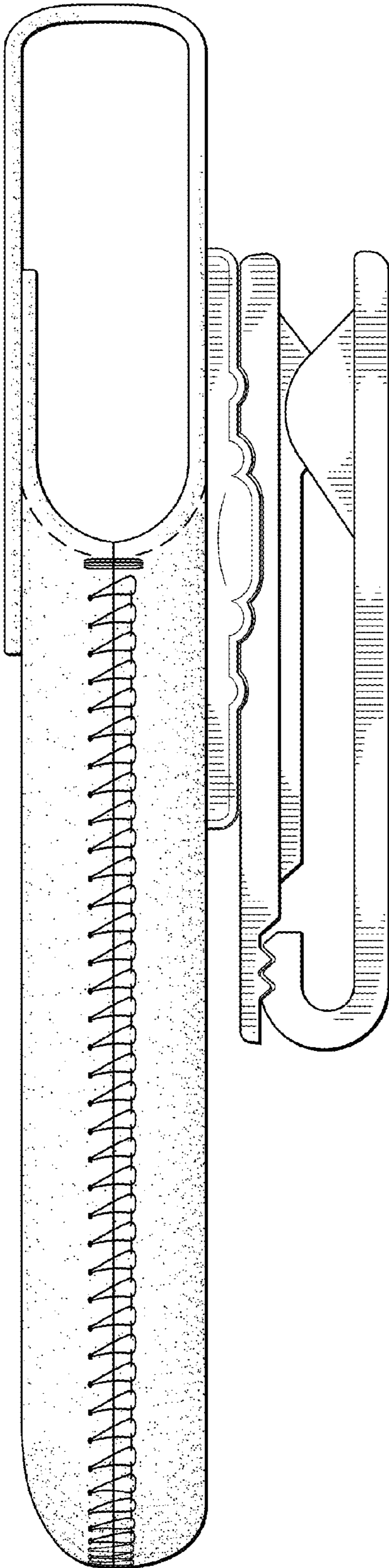
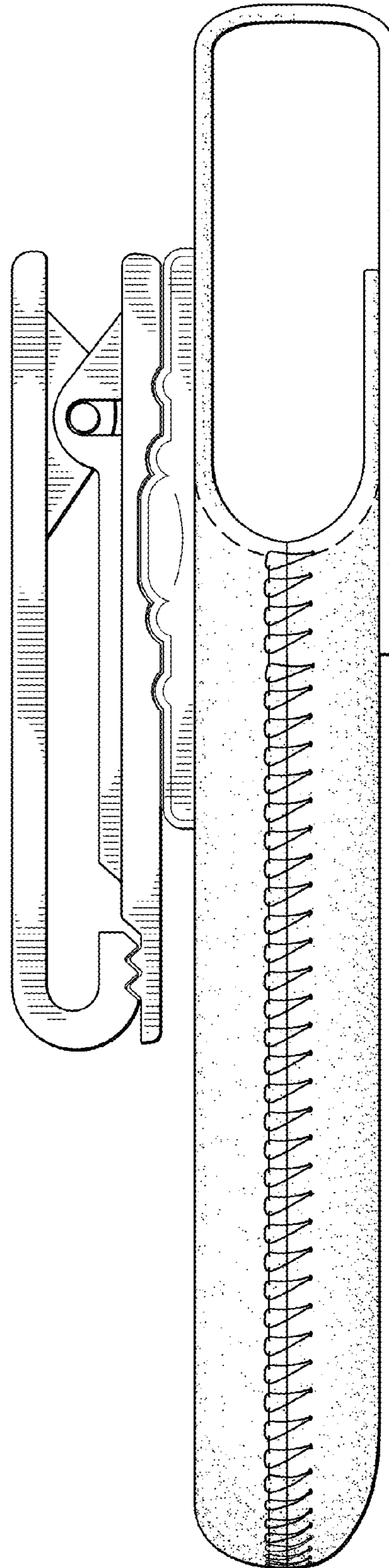


FIG. 5



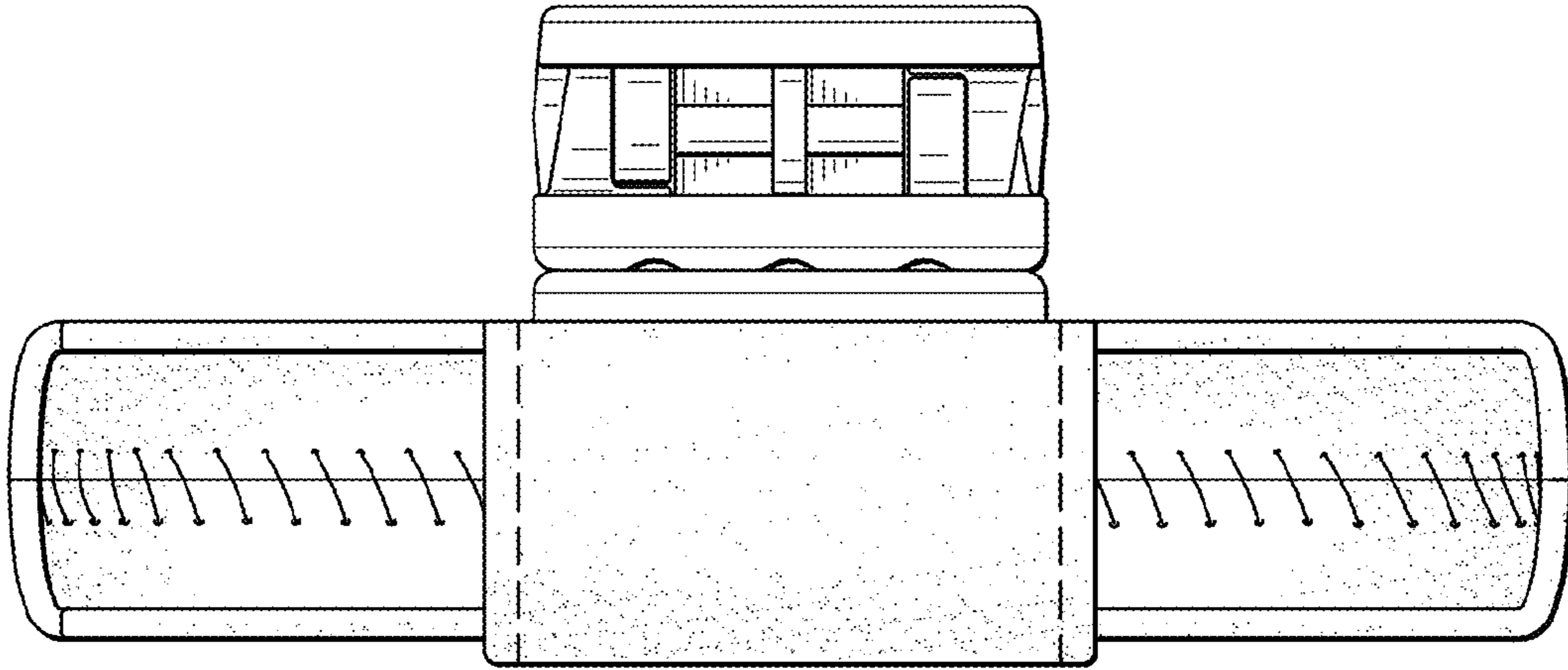


FIG. 6

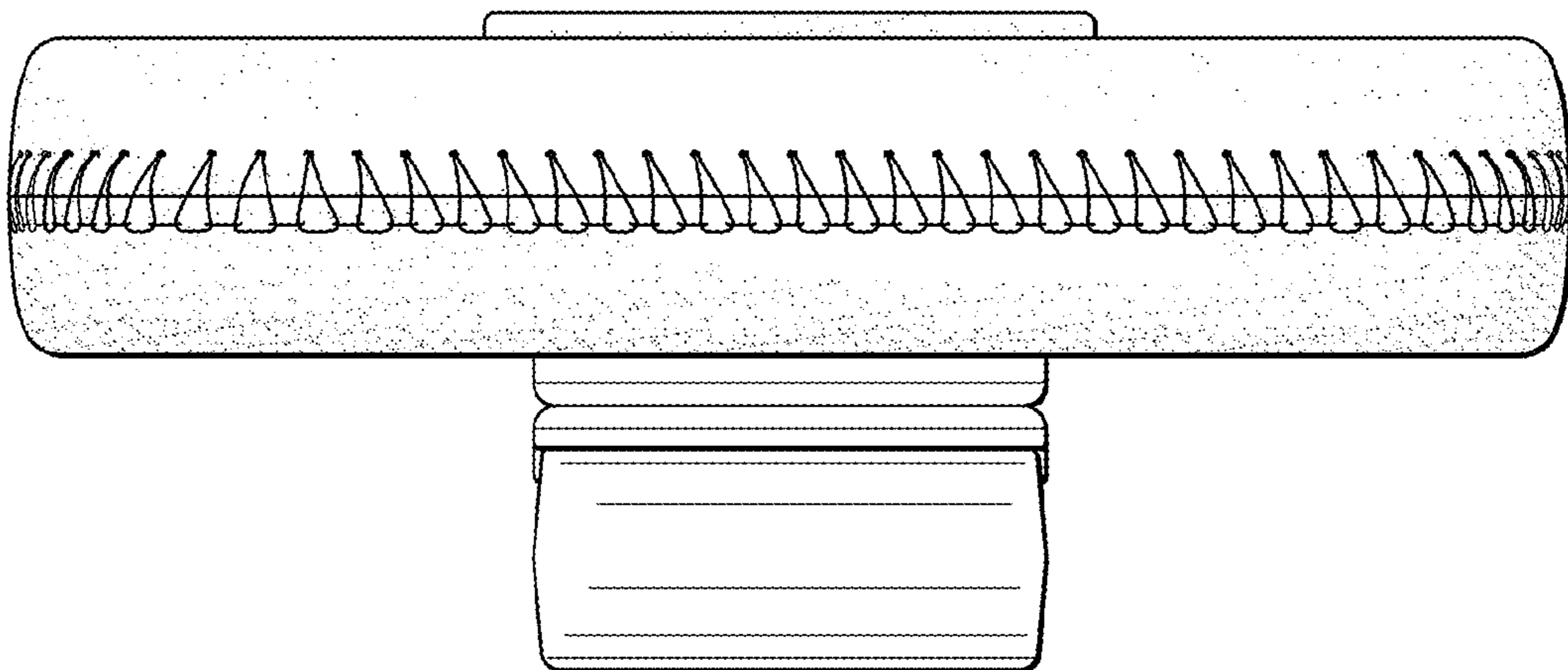


FIG. 7