



US00D680322S

(12) **United States Design Patent**  
**Phillips et al.**

(10) **Patent No.:** **US D680,322 S**

(45) **Date of Patent:** **\*\* \*Apr. 23, 2013**

(54) **ELECTRONIC DEVICE FLAP HOLSTER**

(75) Inventors: **Alison Phillips**, Toronto (CA); **Caitlin Curran-Blaney**, Toronto (CA)

(73) Assignee: **Research In Motion Limited**, Waterloo, Ontario (CA)

(\* ) Notice: This patent is subject to a terminal disclaimer.

(\*\* ) Term: **14 Years**

(21) Appl. No.: **29/419,284**

(22) Filed: **Apr. 26, 2012**

(51) **LOC (9) Cl.** ..... **03-01**

(52) **U.S. Cl.**  
USPC ..... **D3/218**

(58) **Field of Classification Search** ..... D3/218,  
D3/215, 219, 201, 226, 269, 272-273, 265,  
D3/247-249, 303; 206/305, 320; 455/42,  
455/92; 379/455, 575.1-575.8; 224/240-241,  
224/250, 666, 674-677, 680-683, 901; D14/138,  
D14/156, 250, 253, 496

See application file for complete search history.

(56) **References Cited**

U.S. PATENT DOCUMENTS

D382,996 S *	9/1997	Kopel .....	D3/218
D453,417 S *	2/2002	Badillo et al. ....	D3/218
D534,720 S *	1/2007	Infanti et al. ....	D3/218
D606,299 S *	12/2009	Boomhour et al. ....	D3/201
D606,301 S *	12/2009	Hofer et al. ....	D3/218

\* cited by examiner

*Primary Examiner* — Catheri Oliver-Garcia

(57) **CLAIM**

We claim the ornamental design for an electronic device flap holster, as shown and described.

**DESCRIPTION**

FIG. 1 is a front perspective view of an electronic device flap holster;

FIG. 2 is a front elevational view thereof;

FIG. 3 is a rear elevational view thereof;

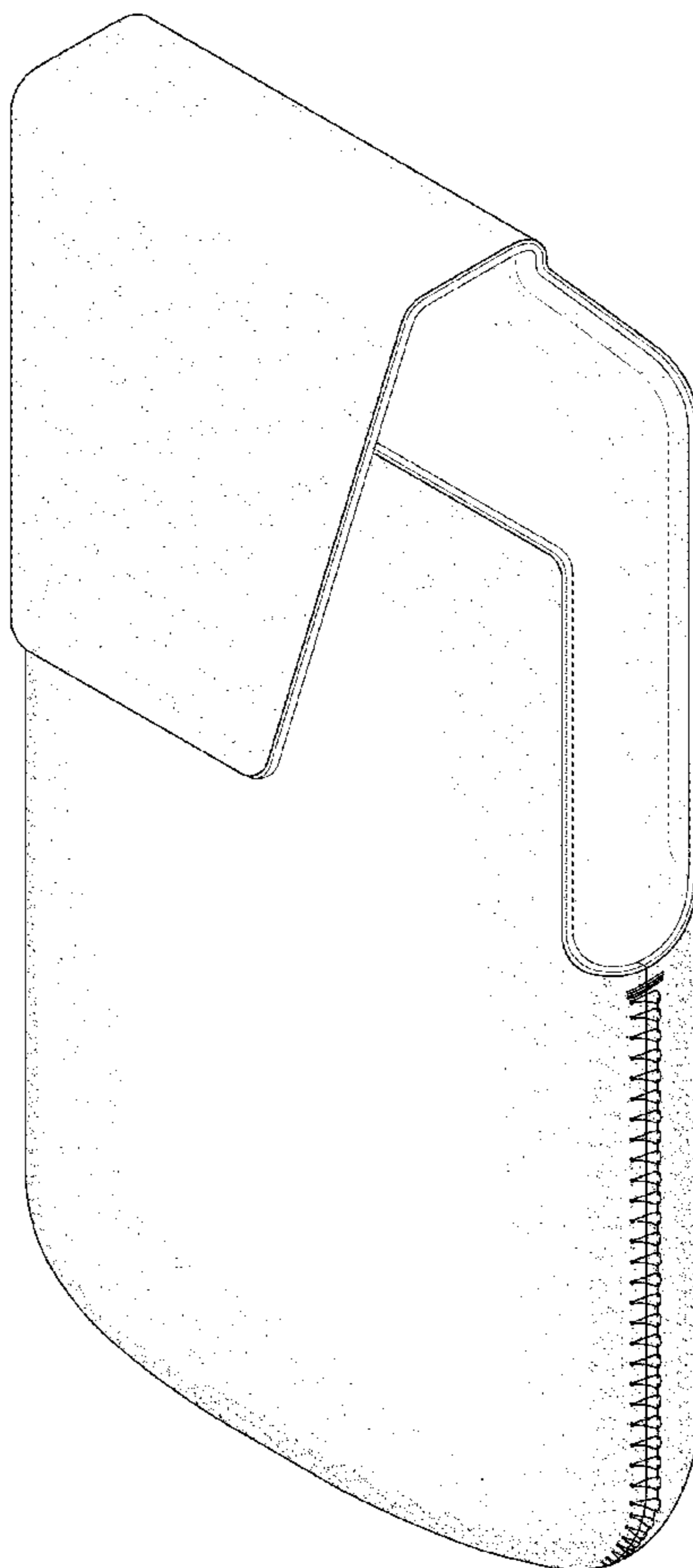
FIG. 4 is a left elevational view thereof;

FIG. 5 is a right elevational view thereof;

FIG. 6 is a top plan view thereof; and,

FIG. 7 is a bottom plan view thereof.

**1 Claim, 5 Drawing Sheets**



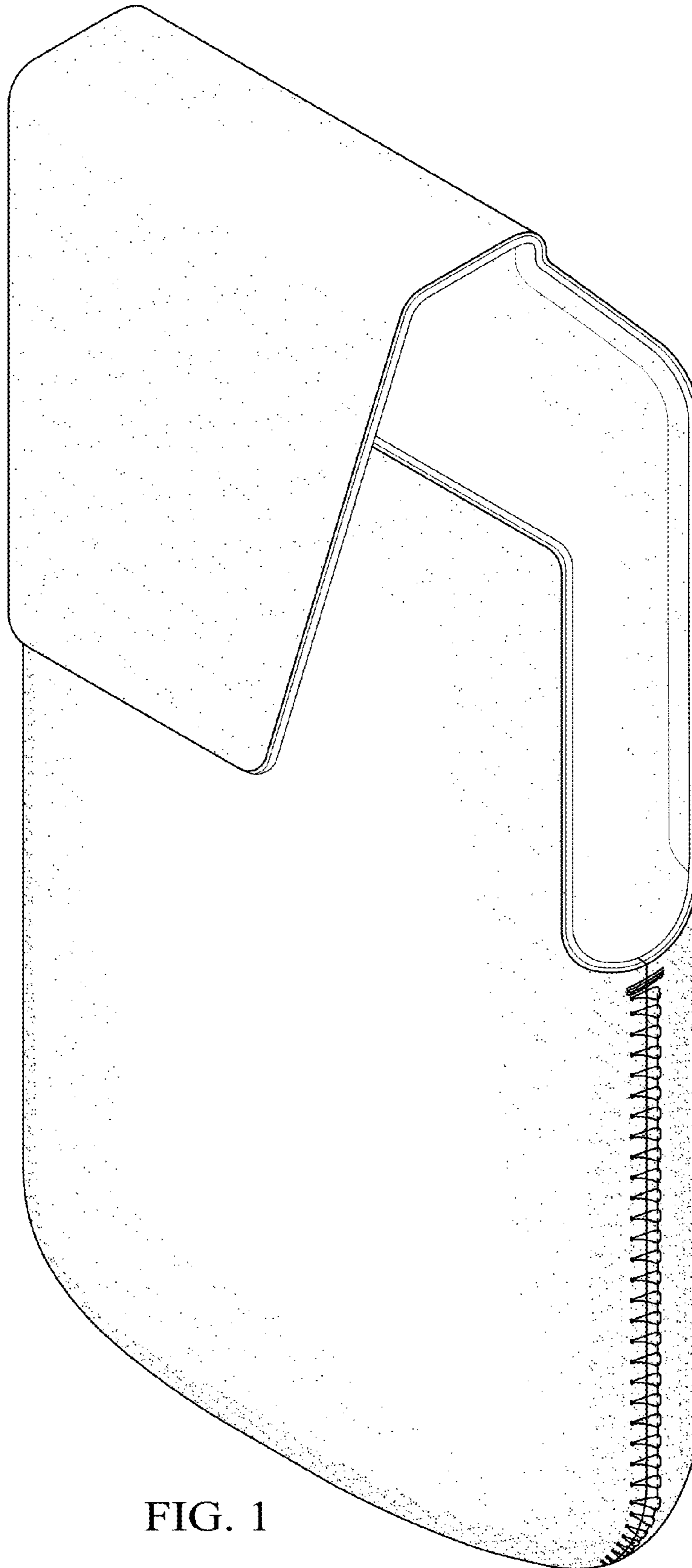


FIG. 1

FIG. 2

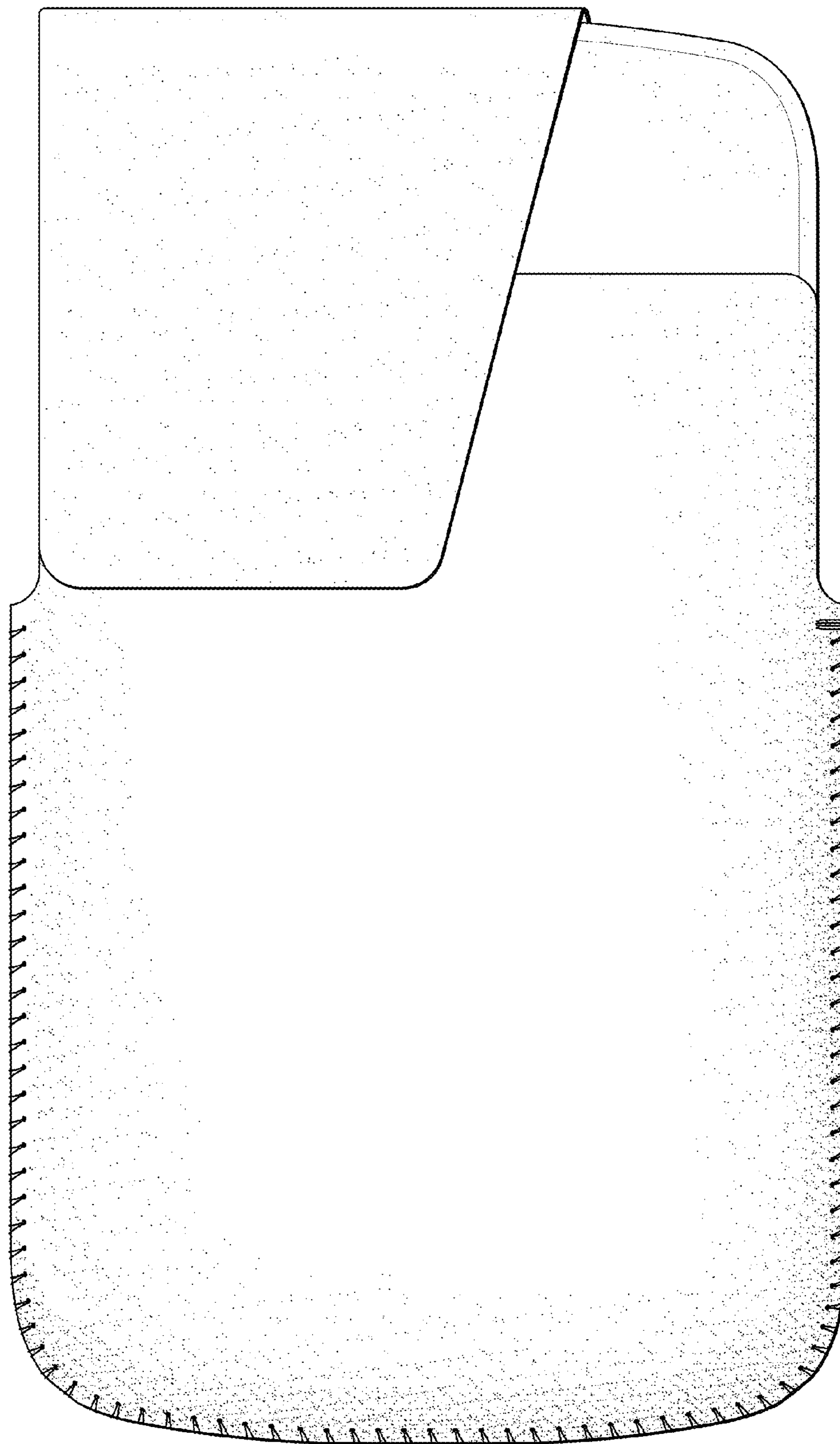


FIG. 3

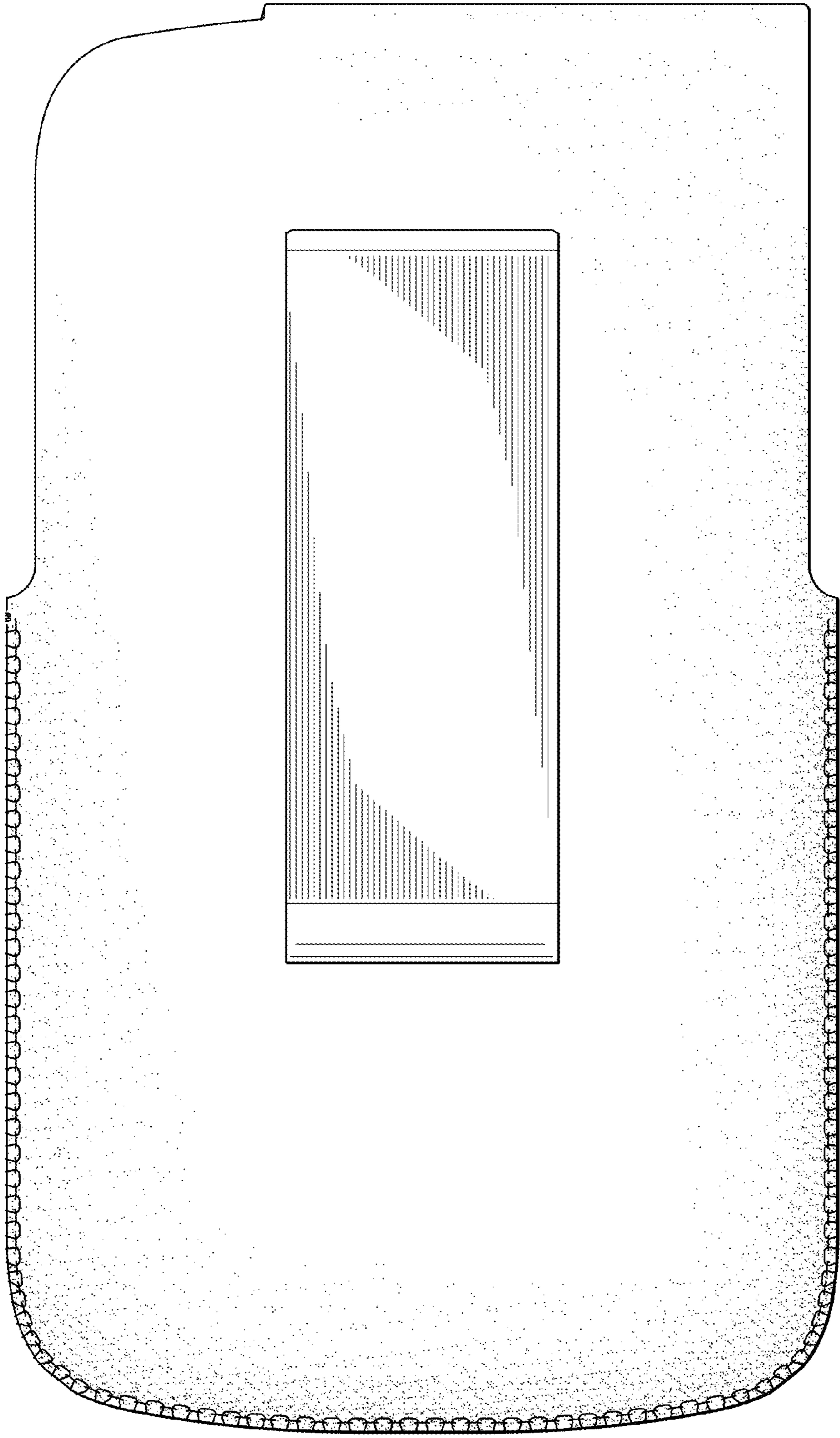


FIG. 4

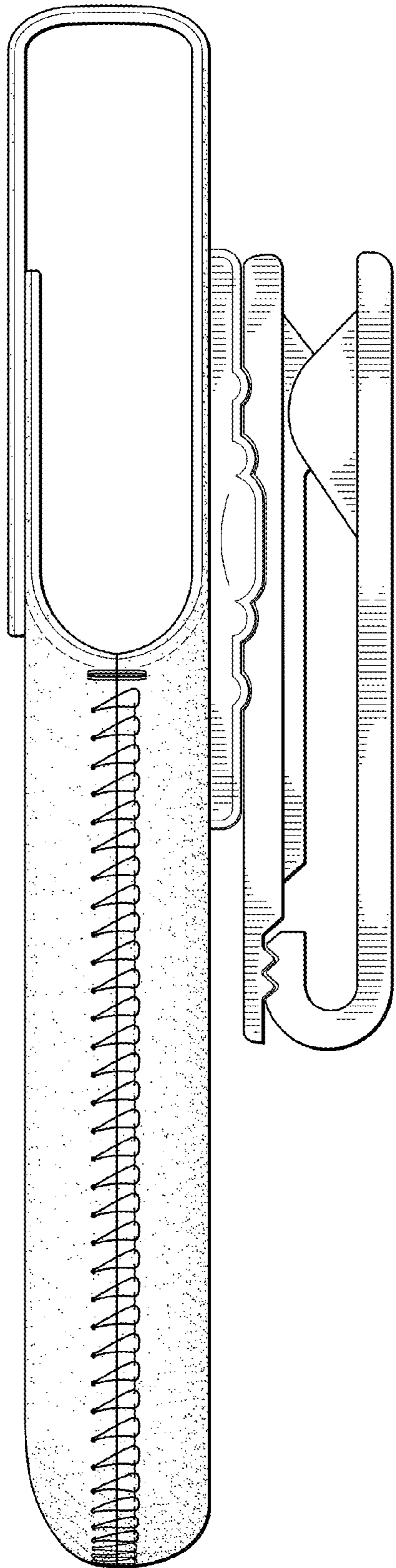
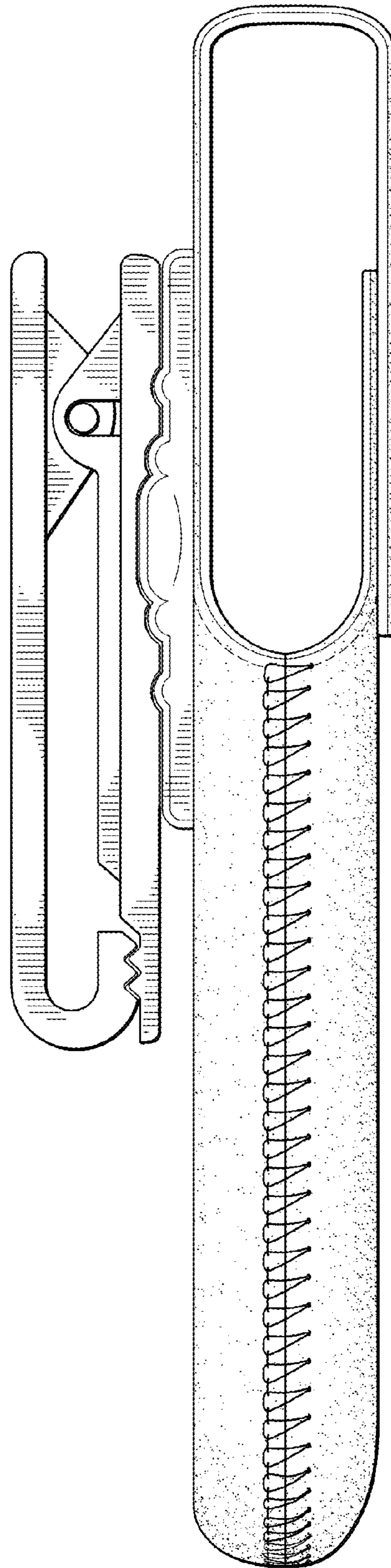


FIG. 5



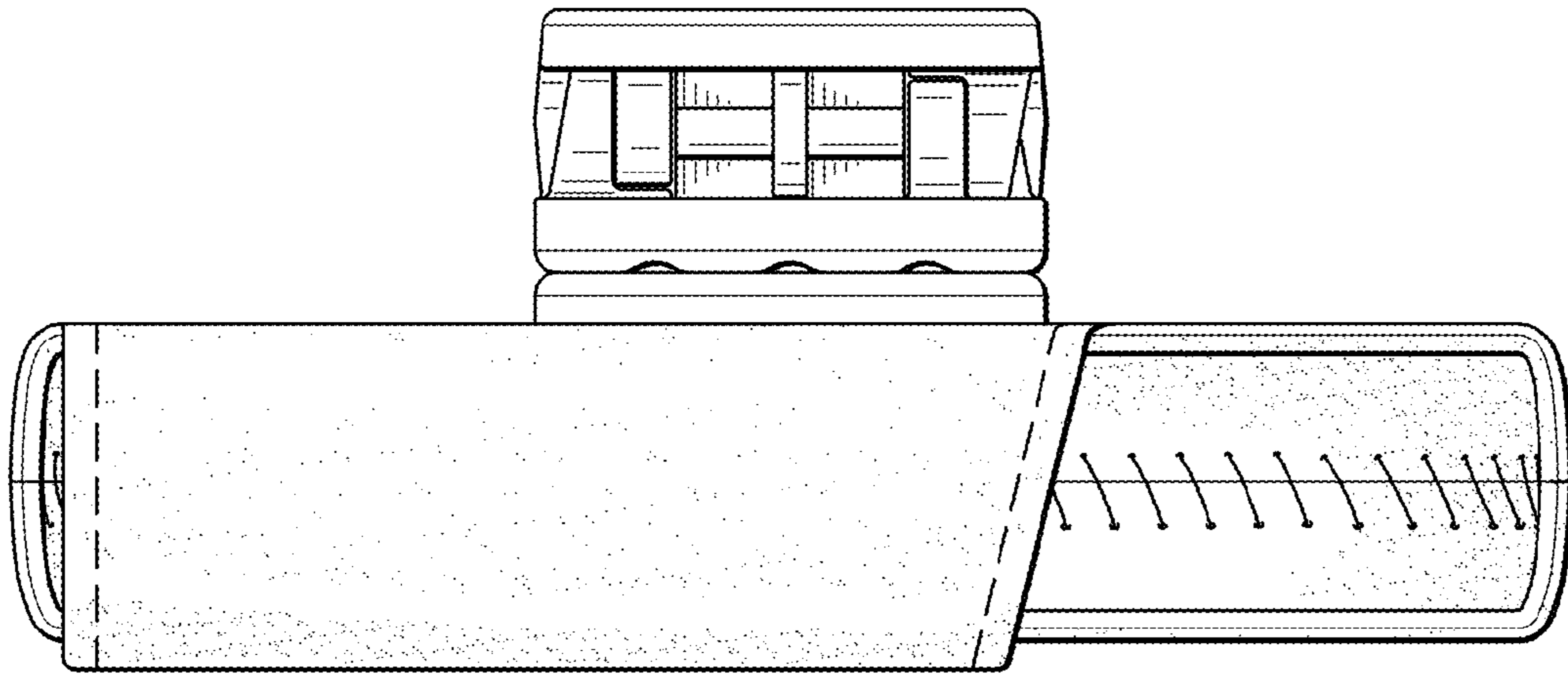


FIG. 6

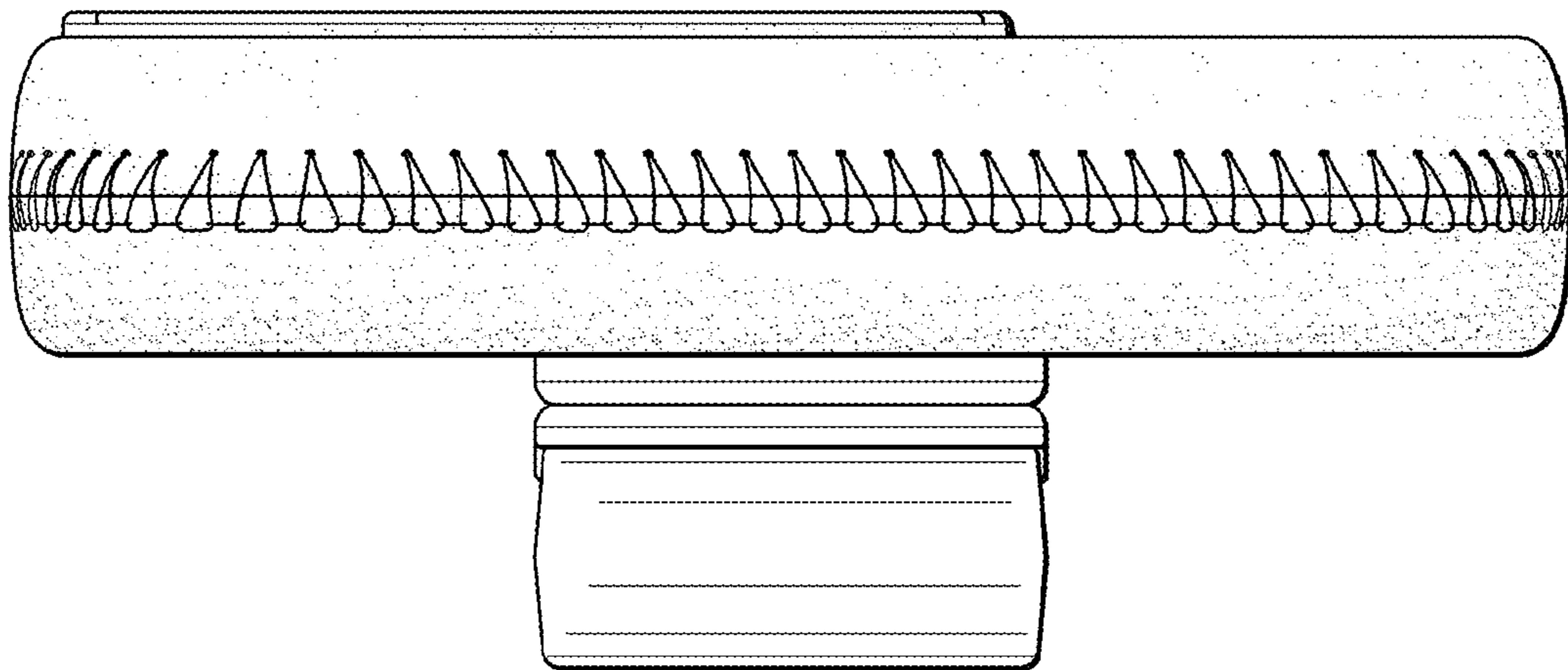


FIG. 7