



US00D680320S

(12) **United States Design Patent**
Kryklywicz

(10) **Patent No.:** **US D680,320 S**

(45) **Date of Patent:** **** *Apr. 23, 2013**

(54) **TAPERED WEARABLE POCKET**

D365,677 S 1/1996 Dolsey
5,755,366 A 5/1998 Mazzo
D512,832 S 12/2005 Charles, Jr.

(76) Inventor: **Tamara Yvonne Kryklywicz**, Calgary
(CA)

FOREIGN PATENT DOCUMENTS

(*) Notice: This patent is subject to a terminal disclaimer.

GB 2241149 A 8/1991

(**) Term: **14 Years**

Primary Examiner — Catheri Oliver-Garcia

(21) Appl. No.: **29/422,361**

(74) *Attorney, Agent, or Firm* — Lowe Graham Jones PLLC

(22) Filed: **May 18, 2012**

(57) **CLAIM**

I claim the ornamental design for a tapered wearable pocket, as shown and described.

Related U.S. Application Data

DESCRIPTION

(63) Continuation-in-part of application No. 13/370,923, filed on Feb. 10, 2012, and a continuation-in-part of application No. 29/380,118, filed on Nov. 30, 2010, now Pat. No. Des. 654,264.

FIG. 1 is a perspective view of the tapered wearable pocket; FIG. 2 is a top plan view of the tapered wearable pocket of FIG. 1;

(51) **LOC (9) Cl.** **03-01**

FIG. 3 is a front elevation view of the tapered wearable pocket of FIG. 1;

(52) **U.S. Cl.**

USPC **D3/215**

FIG. 4 is a rear elevation view of the tapered wearable pocket of FIG. 1;

(58) **Field of Classification Search** D3/215,
D3/218, 224, 226; 224/219, 222, 267, 269;
2/170, 162

FIG. 5 is a bottom plan view of the tapered wearable pocket of FIG. 1;

See application file for complete search history.

FIG. 6 is a left side elevation view of the tapered wearable pocket of FIG. 1;

(56) **References Cited**

U.S. PATENT DOCUMENTS

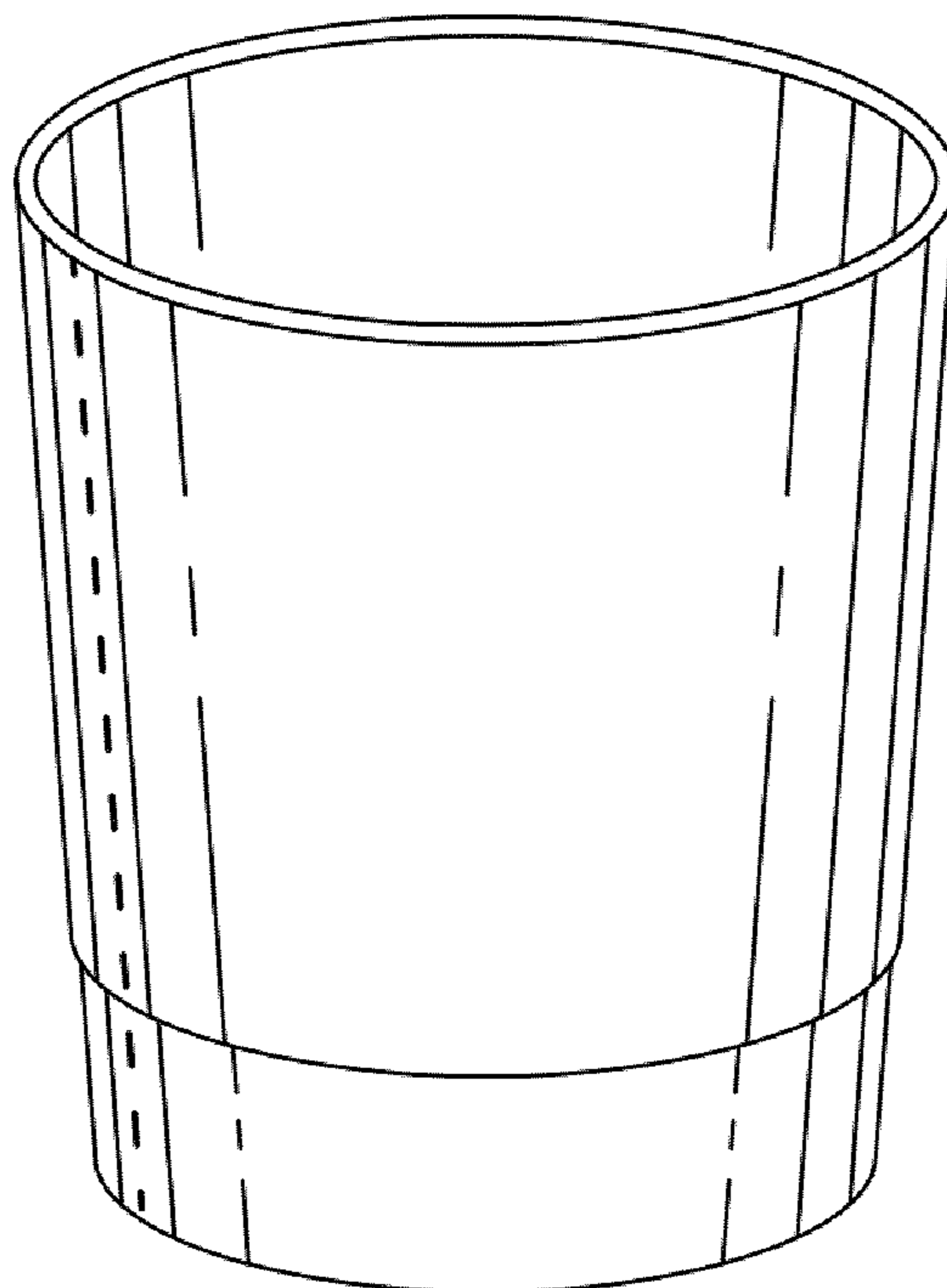
3,670,933 A 6/1972 Jones
4,461,030 A 7/1984 Knudsen
4,625,340 A 12/1986 Hernandez
D343,518 S 1/1994 Saggese, Jr.

FIG. 7 is a right side elevation view of the tapered wearable pocket of FIG. 1; and,

FIG. 8 is a perspective view of the tapered wearable pocket of FIG. 1 being worn on an ankle of a person.

The short dashed lines in the drawings represent stitch lines and do not form part of the claimed design. The long dashed lines in FIG. 8 represent environment and do not form part of the claimed design.

1 Claim, 4 Drawing Sheets



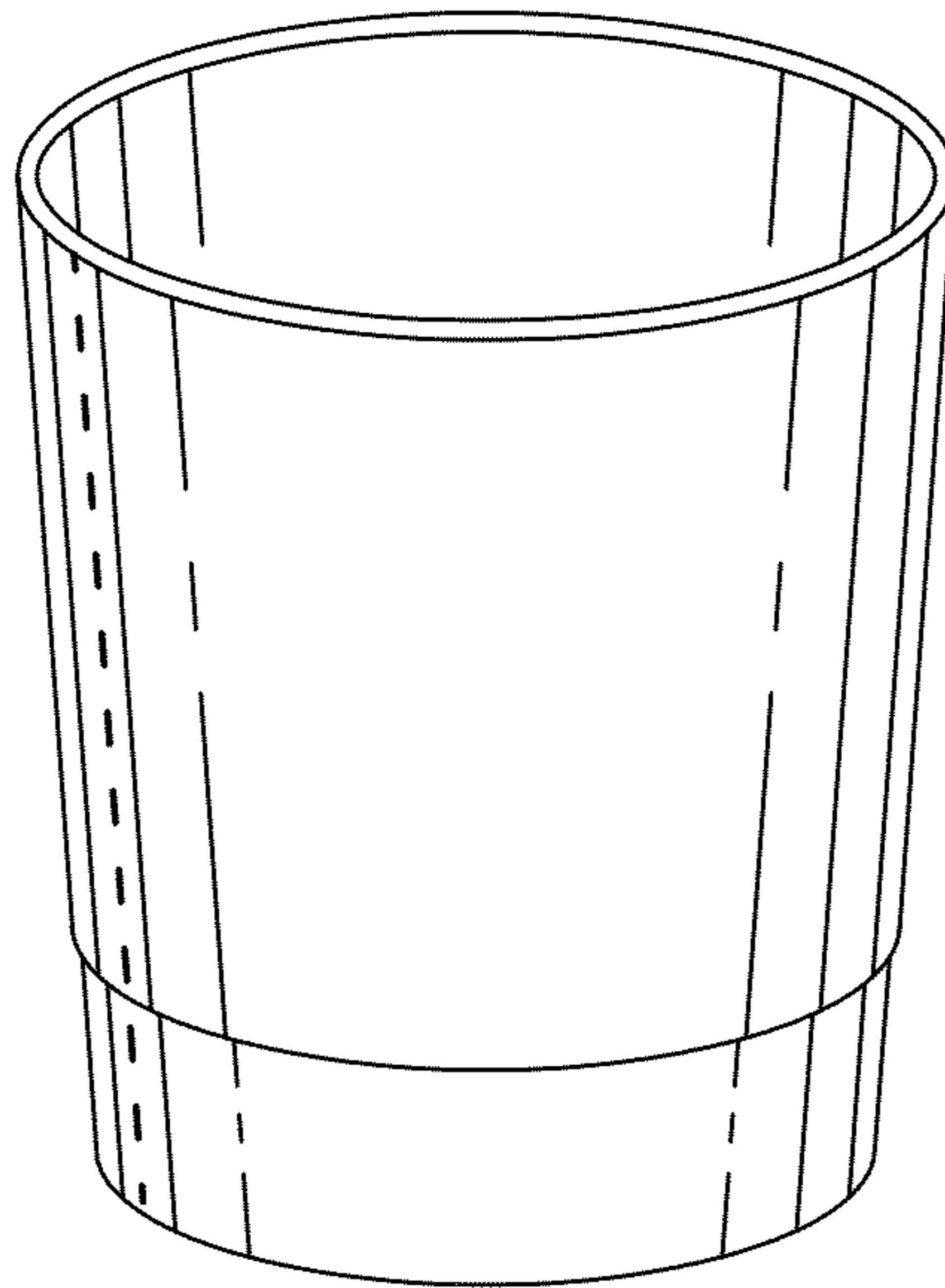


FIG. 1

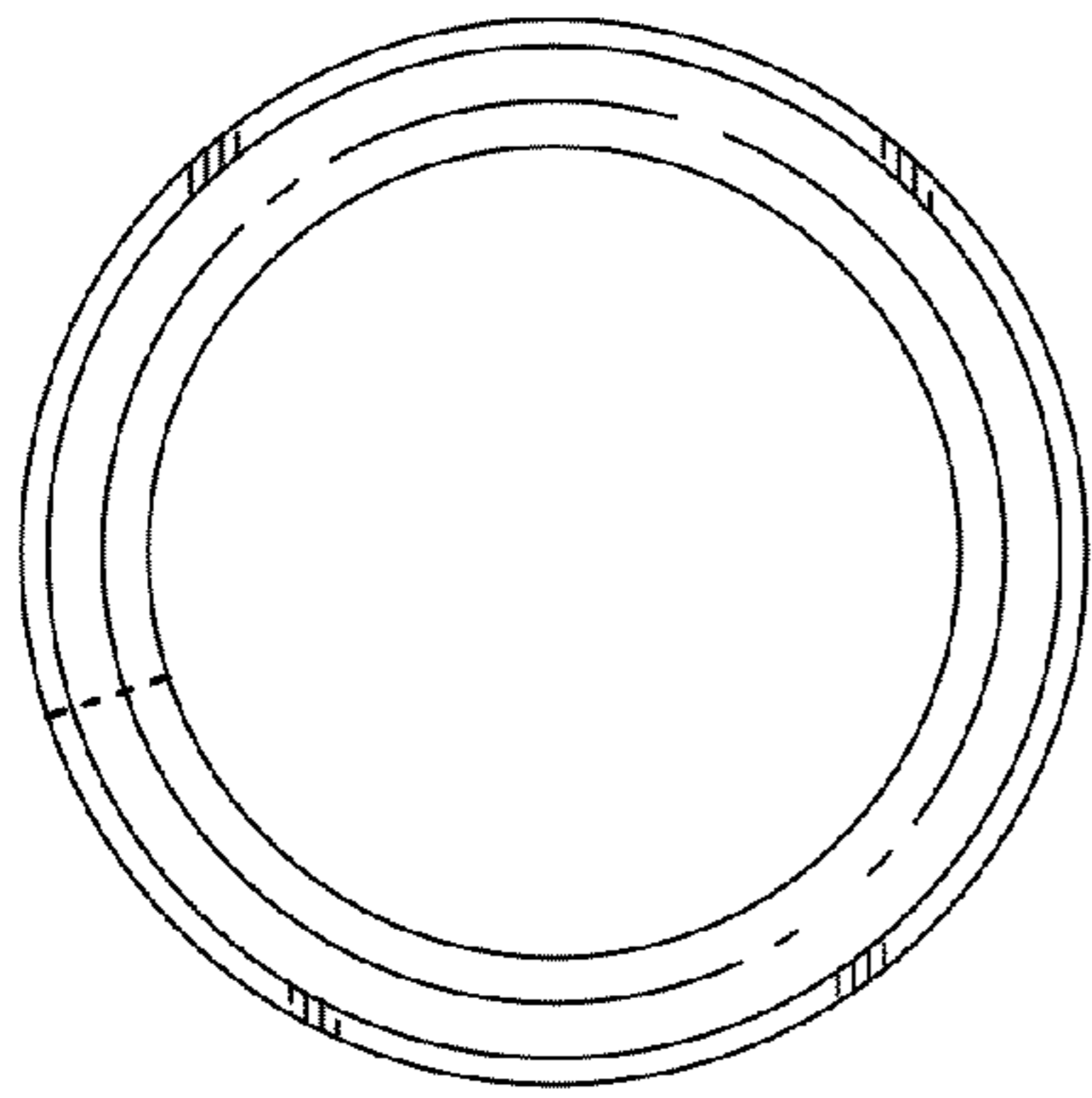


FIG. 2

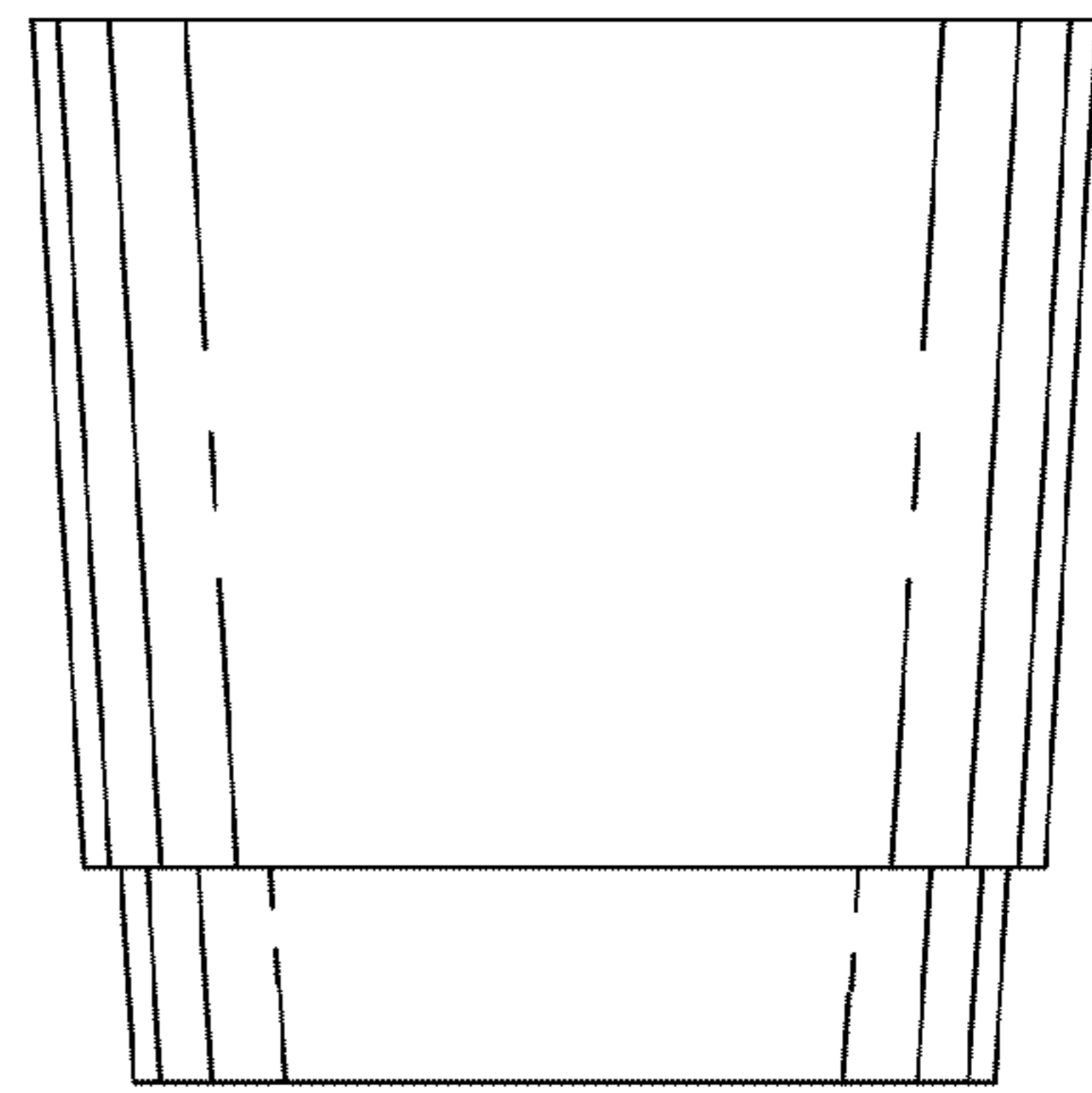


FIG. 4

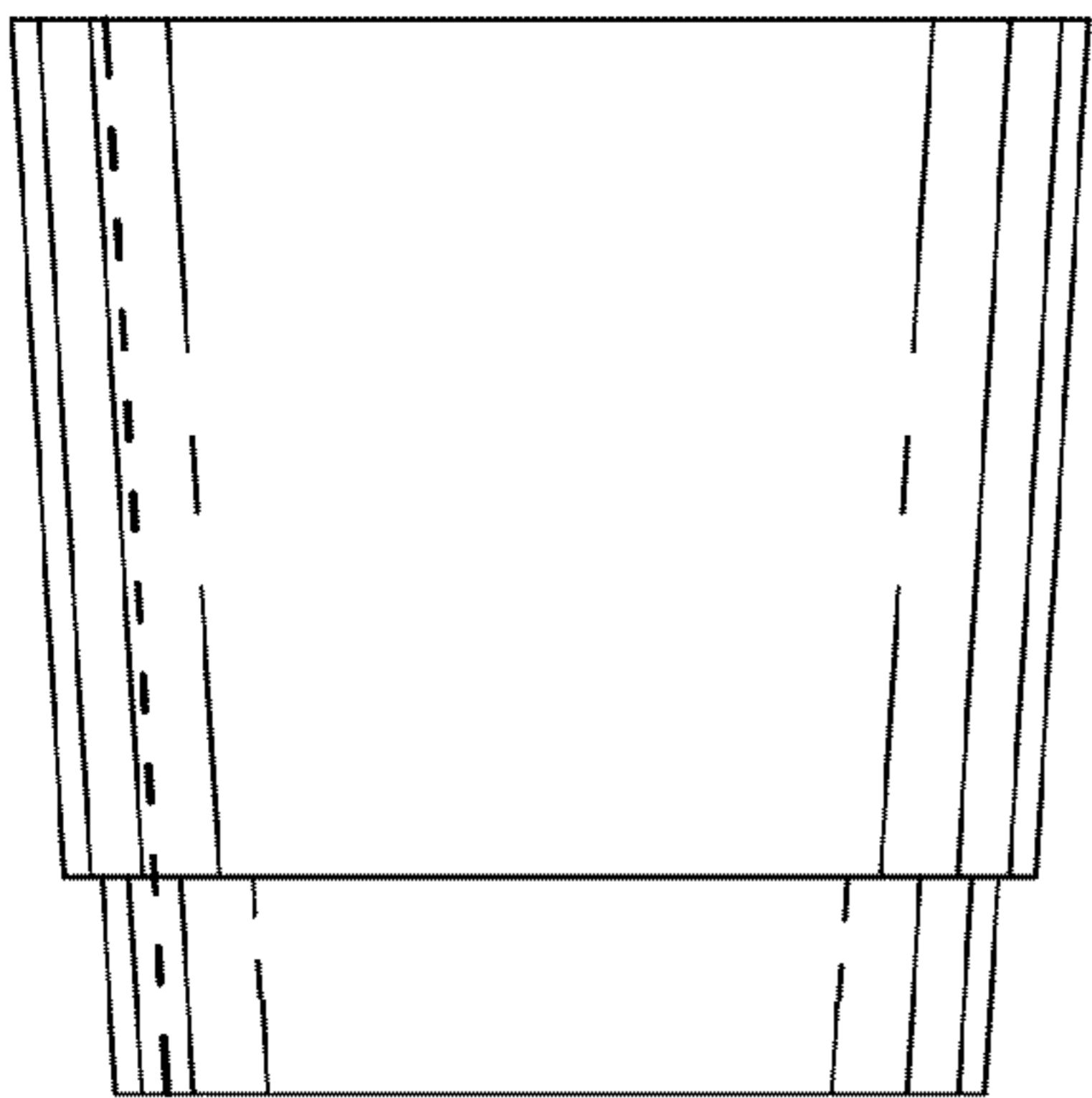


FIG. 3

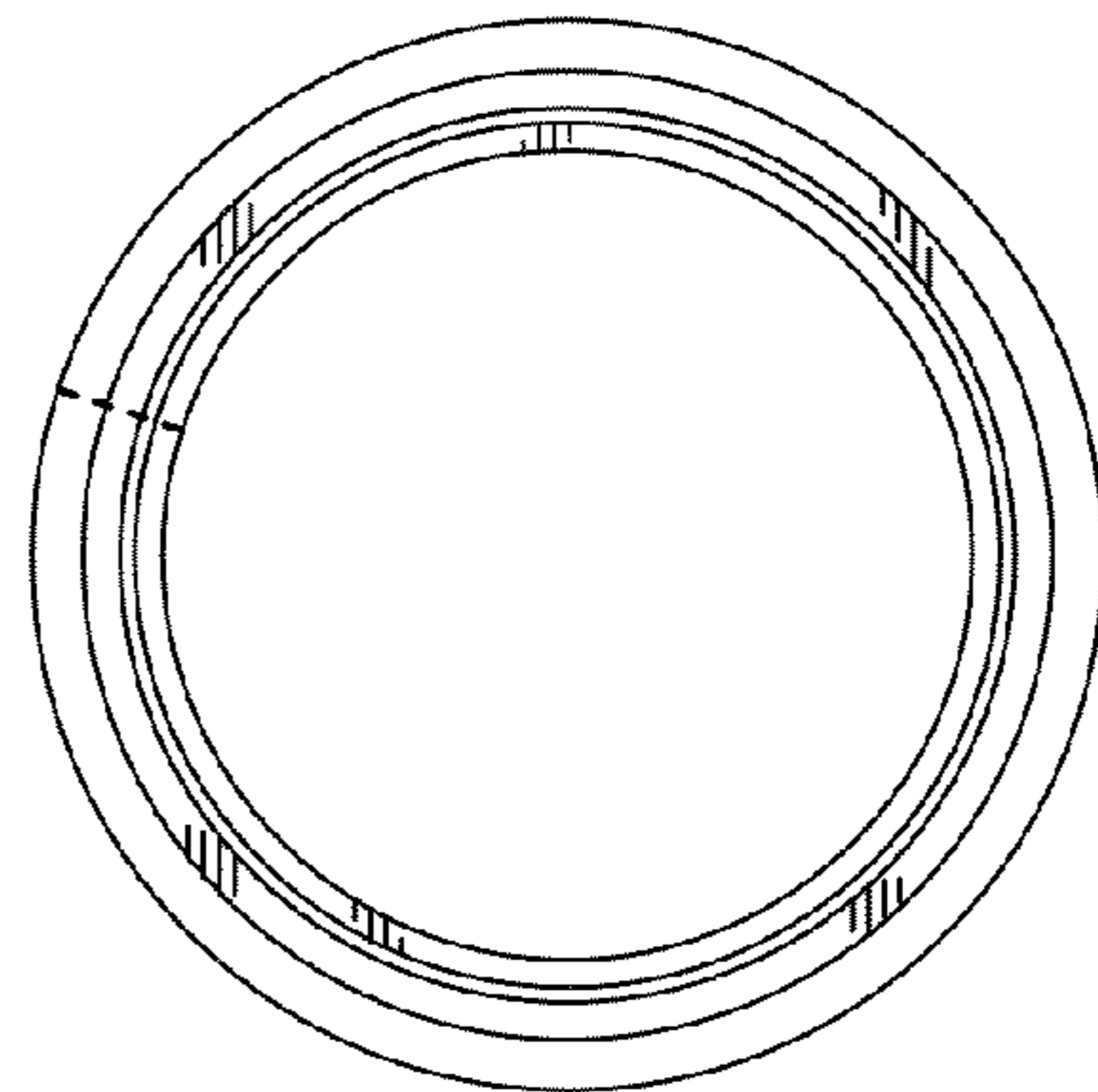


FIG. 5

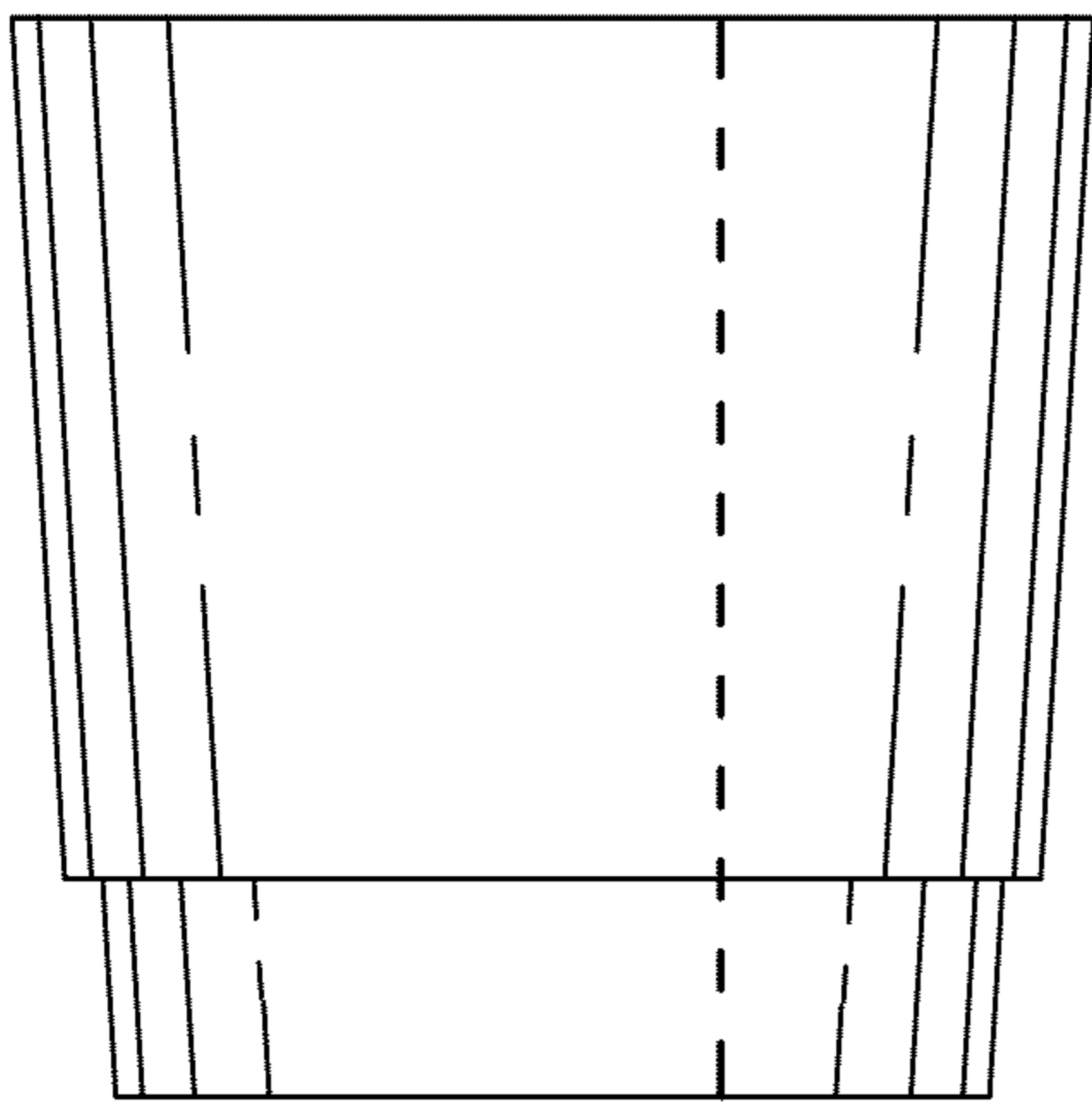


FIG. 6

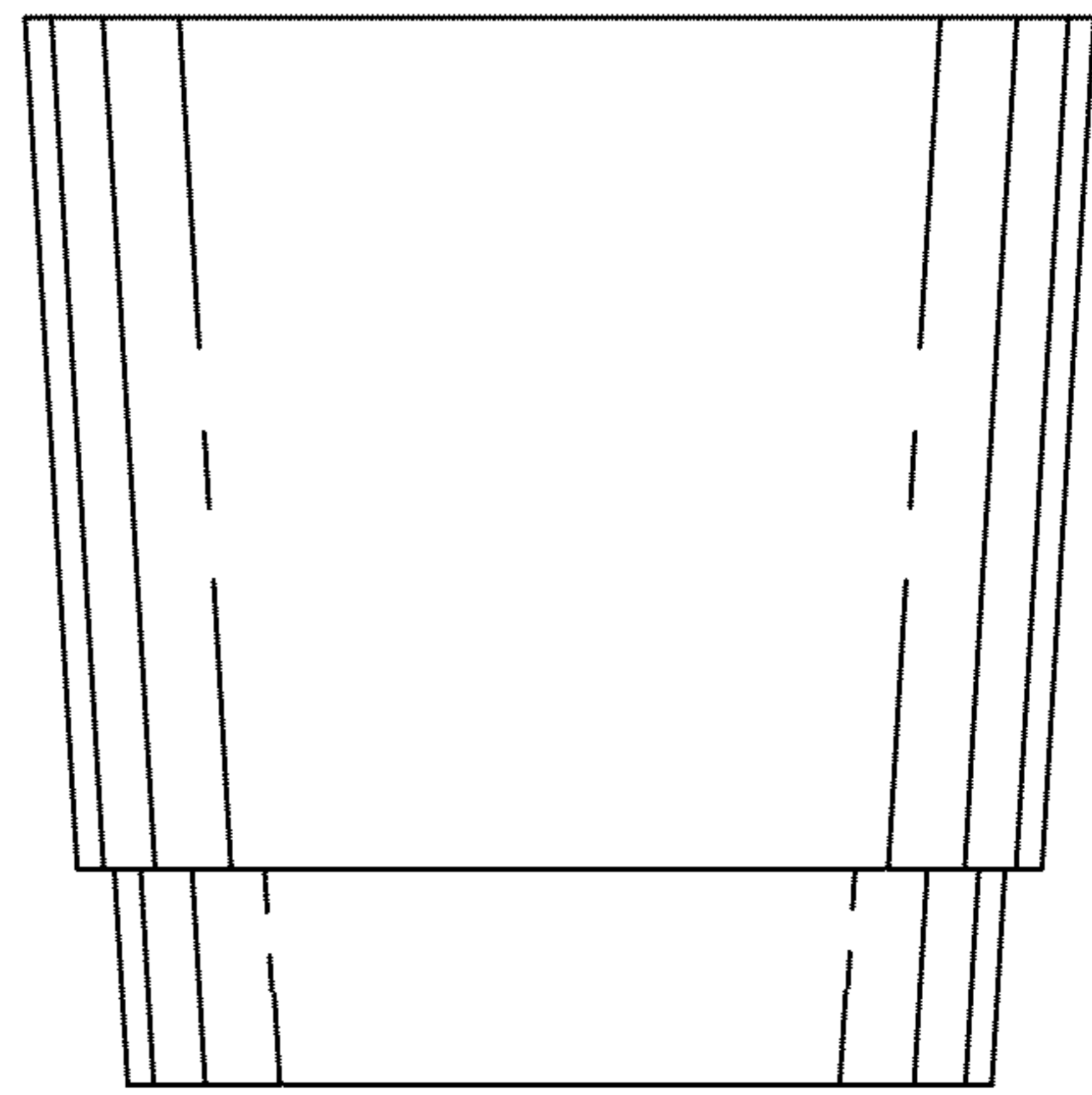


FIG. 7

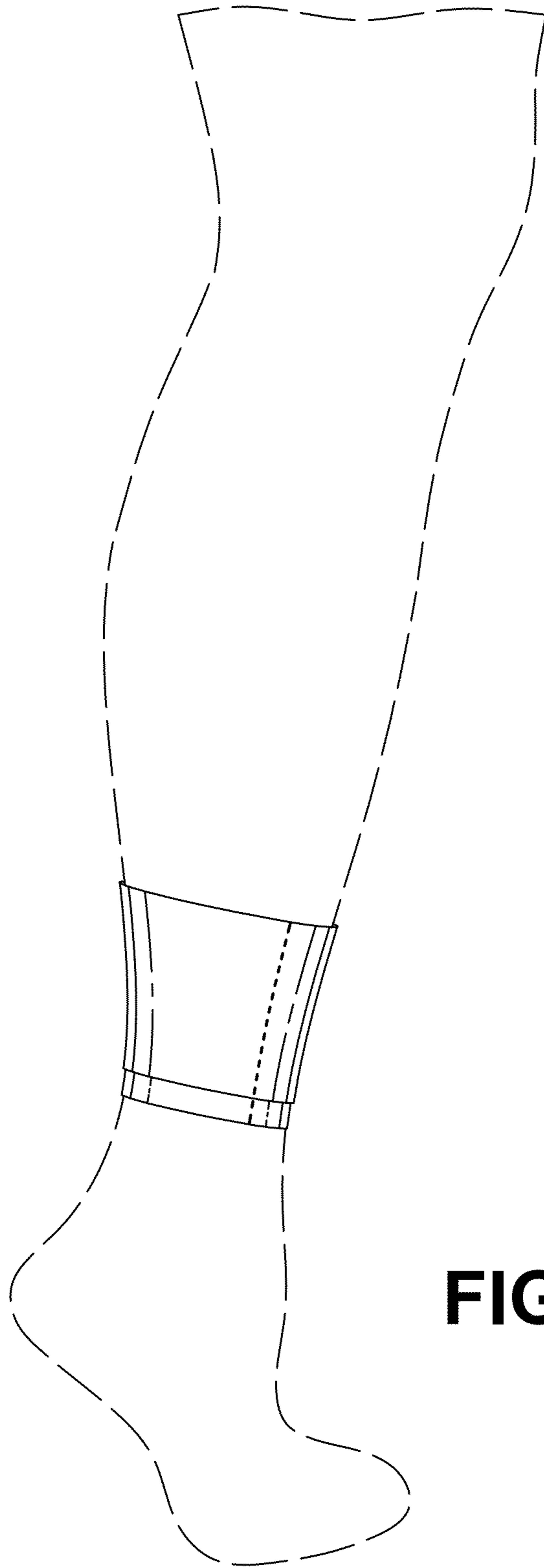


FIG. 8