



US00D680318S

(12) **United States Design Patent**  
**Denzinger**

(10) **Patent No.:** **US D680,318 S**

(45) **Date of Patent:** **\*\* Apr. 23, 2013**

(54) **PILL CASE WALLET**

(75) Inventor: **Benjamin J. Denzinger**, Los Angeles, CA (US)

(73) Assignee: **Sun Coast Merchandise Corporation**, Commerce, CA (US)

(\*\*) Term: **14 Years**

(21) Appl. No.: **29/372,715**

(22) Filed: **Dec. 30, 2010**

(51) **LOC (9) Cl.** ..... **03-01**

(52) **U.S. Cl.**  
USPC ..... **D3/203.2**

(58) **Field of Classification Search** .... D3/203.1–203.8,  
D3/201, 205, 227, 247–253; 206/528–540,  
206/570; D6/407; 150/131–146  
See application file for complete search history.

(56) **References Cited**

U.S. PATENT DOCUMENTS

D97,936 S \* 12/1935 Neumann-Hoeste ..... D3/203.3  
D314,213 S \* 1/1991 Bishop ..... D3/203.1  
D378,720 S \* 4/1997 Ebenreth ..... D6/632  
D408,128 S \* 4/1999 Sheiner ..... D3/203.2  
6,959,814 B1 \* 11/2005 Hyman ..... 206/570

D526,118 S \* 8/2006 Foote ..... D3/203.1  
D564,217 S \* 3/2008 Knox et al. .... D3/203.1  
D641,547 S \* 7/2011 Coleman ..... D3/203.3

\* cited by examiner

*Primary Examiner* — Catheri Oliver-Garcia

(74) *Attorney, Agent, or Firm* — Steven E. Shapiro

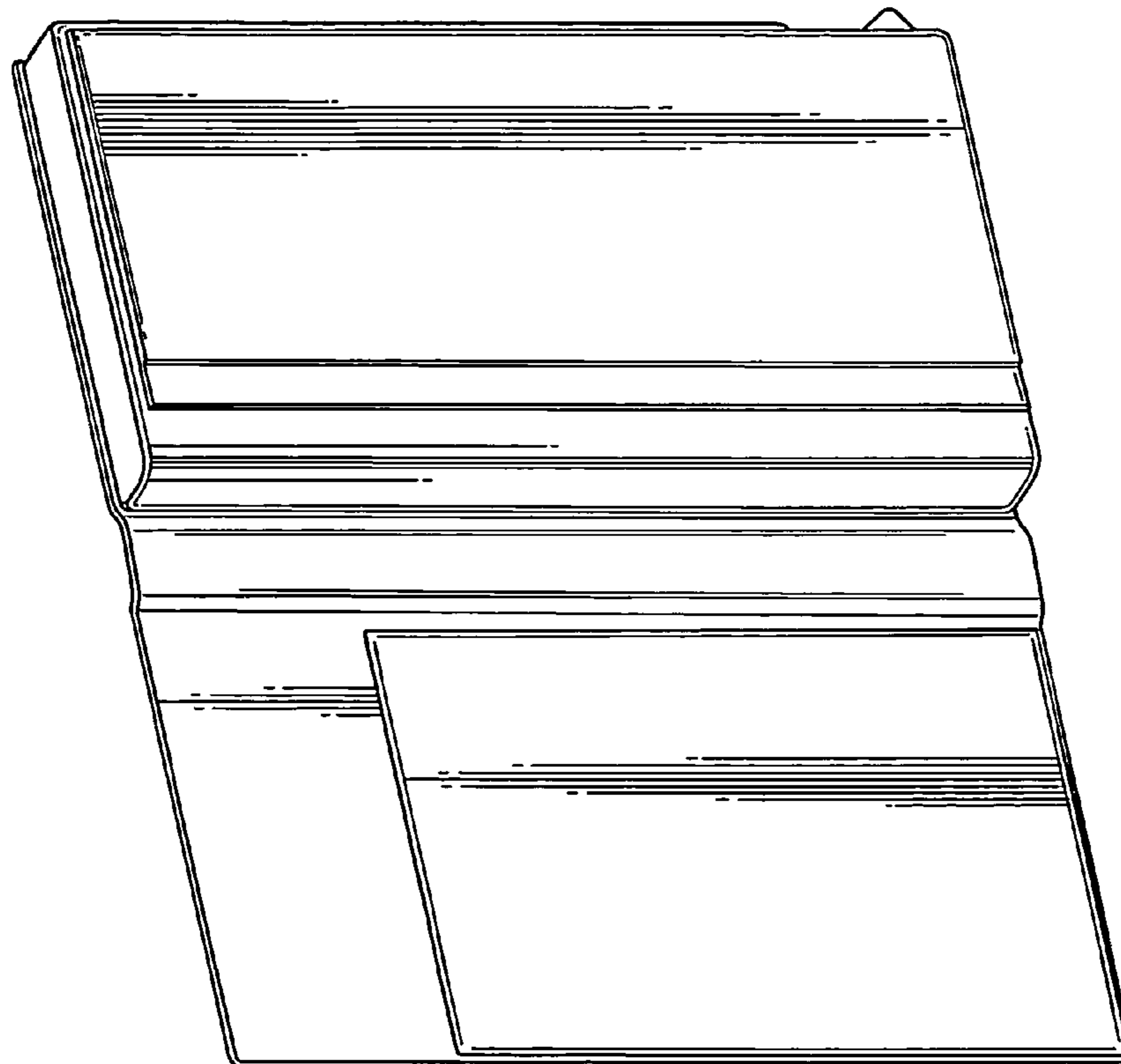
(57) **CLAIM**

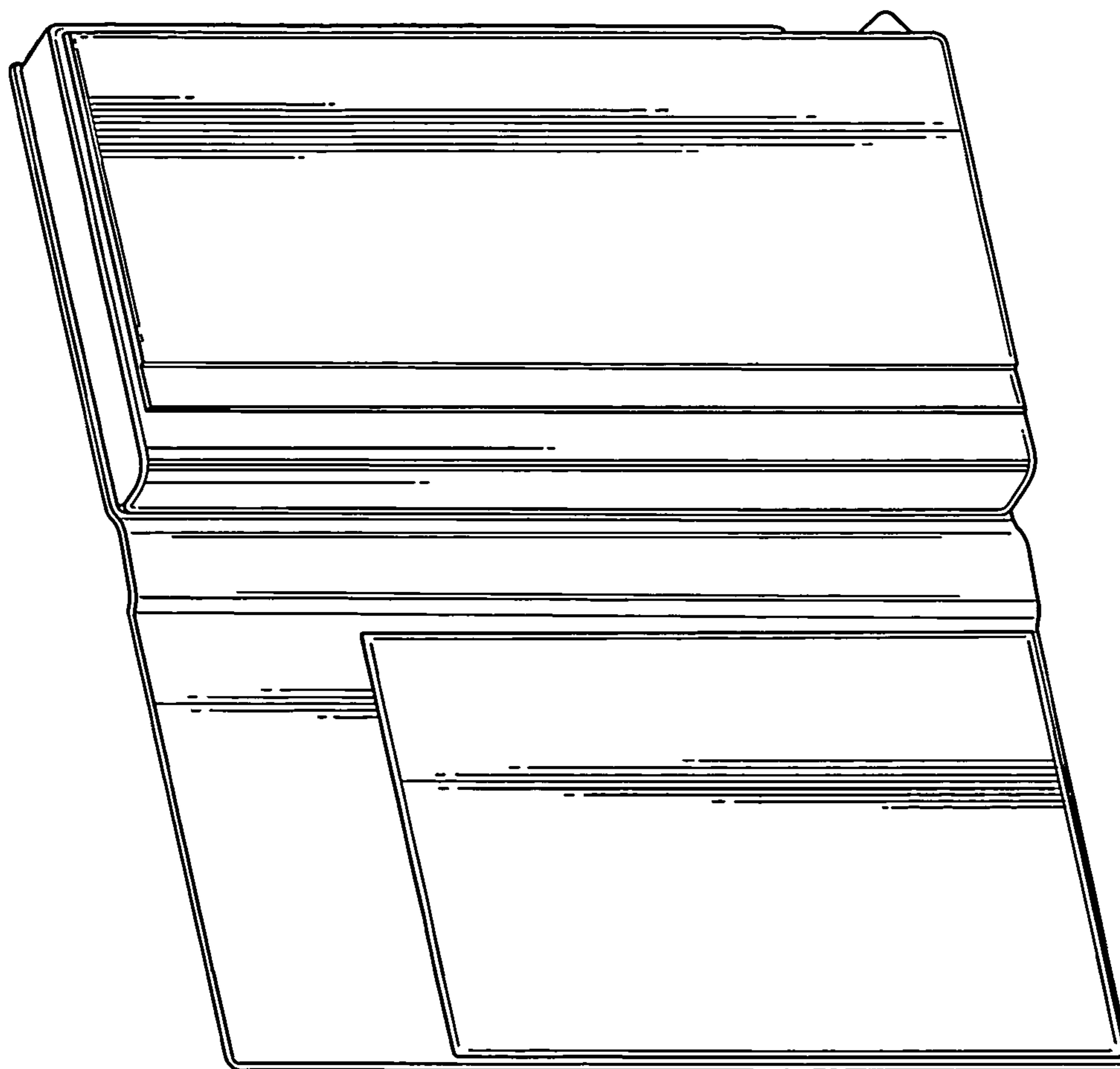
The ornamental design for a pill case wallet, as shown and described.

**DESCRIPTION**

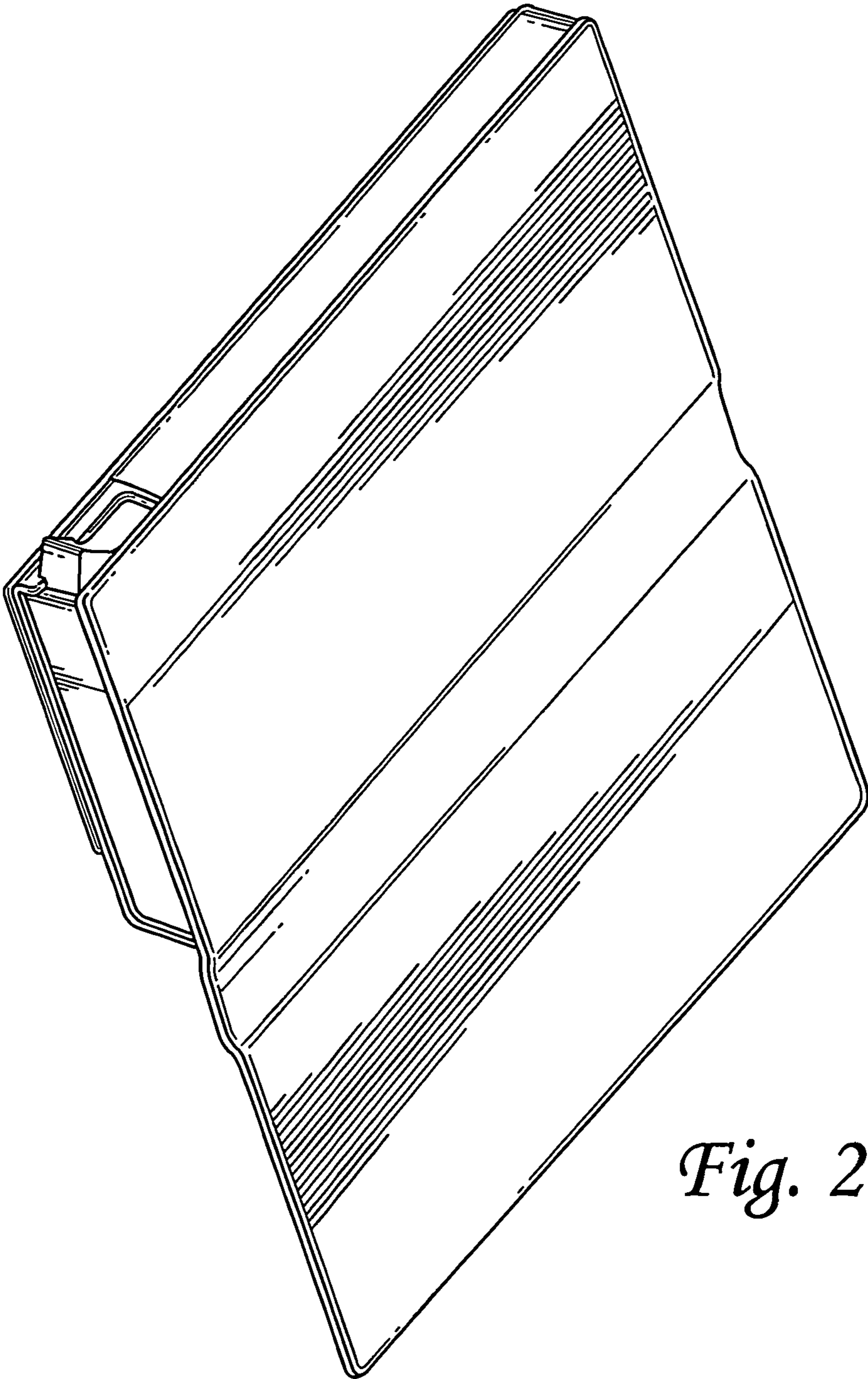
FIG. 1 is a top, left side perspective view of a pill case wallet; FIG. 2 is a bottom, front perspective view of the pill case wallet; FIG. 3 is a bottom, right side perspective view of the pill case wallet; FIG. 4 is a top, right side perspective view of the pill case wallet; FIG. 5 is a top view of the pill case wallet; FIG. 6 is a bottom view of the pill case wallet; FIG. 7 is a front view of the pill case wallet; FIG. 8 is a rear view of pill case wallet; FIG. 9 is a right side view of the pill case wallet; and, FIG. 10 is a left side view of the pill case wallet.

**1 Claim, 10 Drawing Sheets**

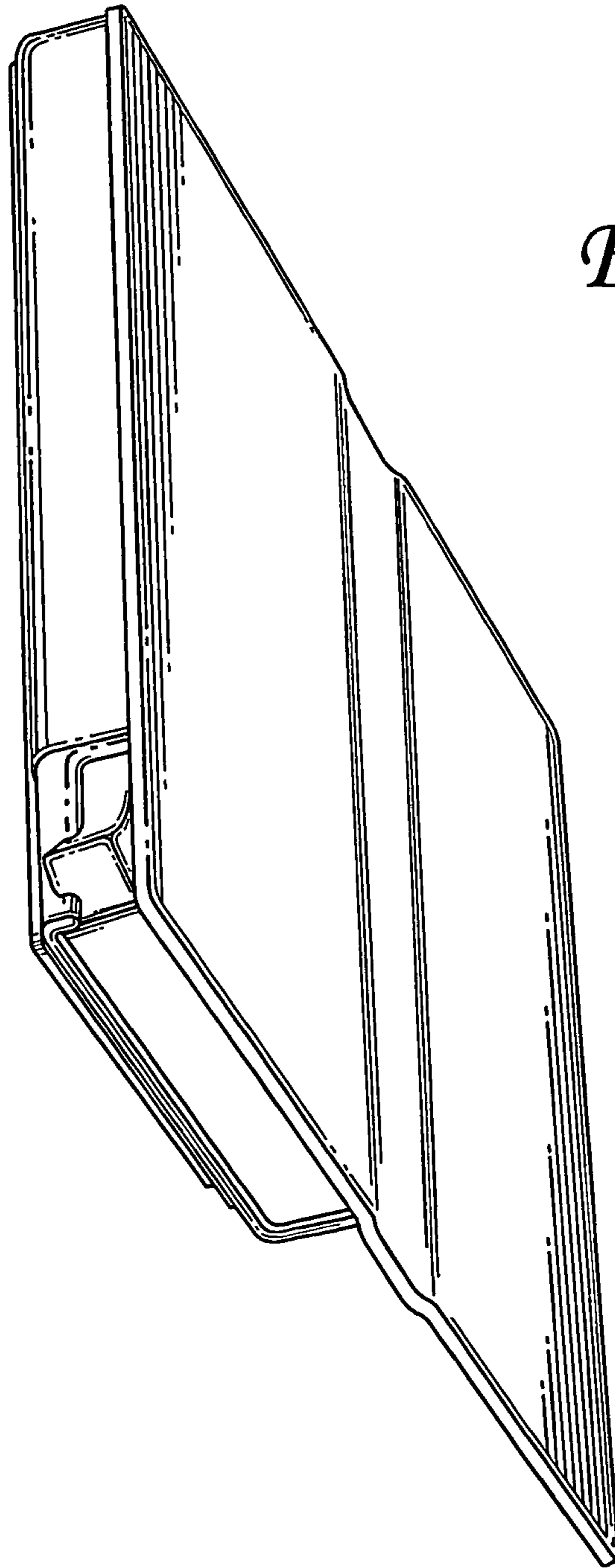




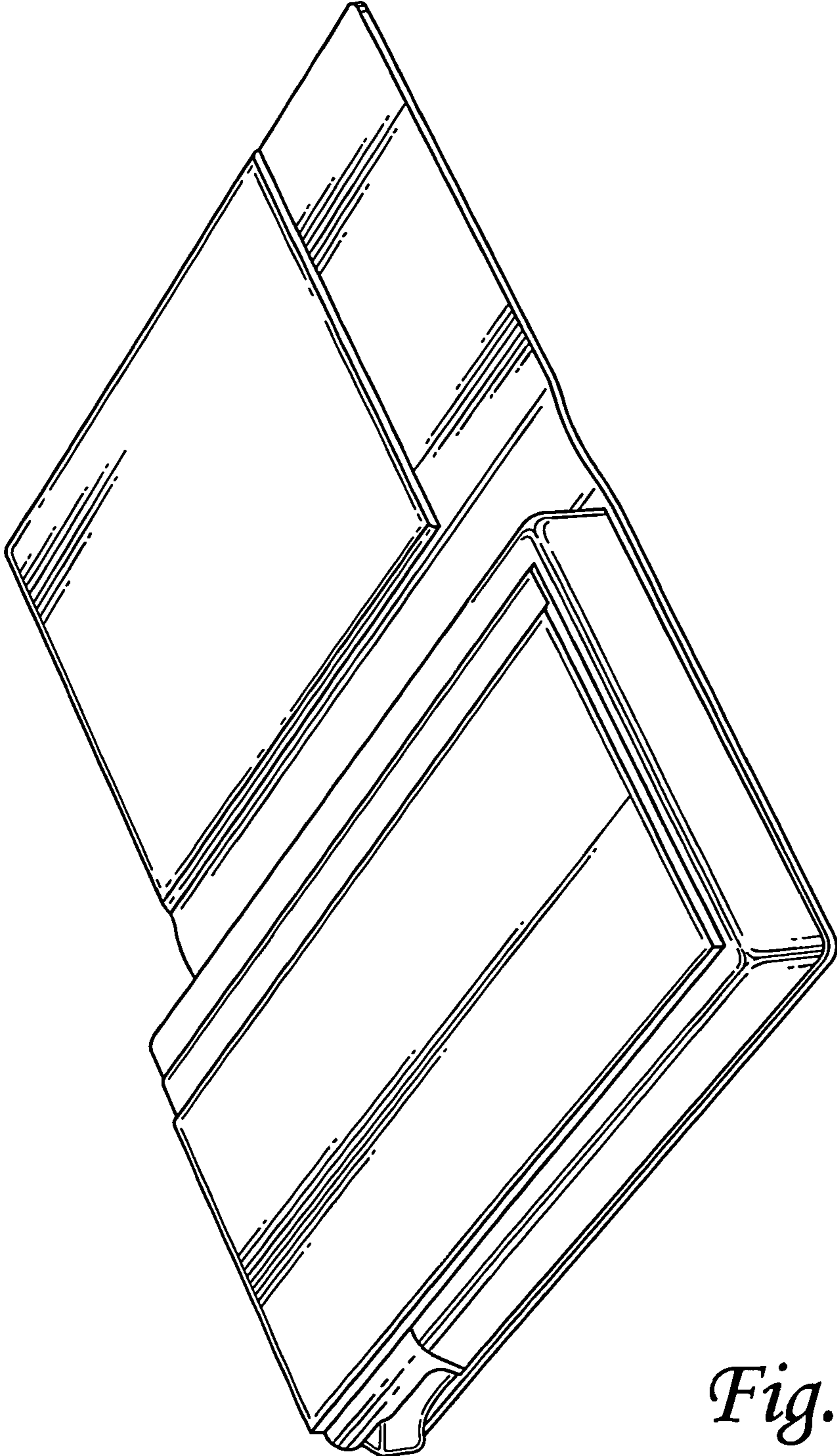
*Fig. 1*



*Fig. 2*

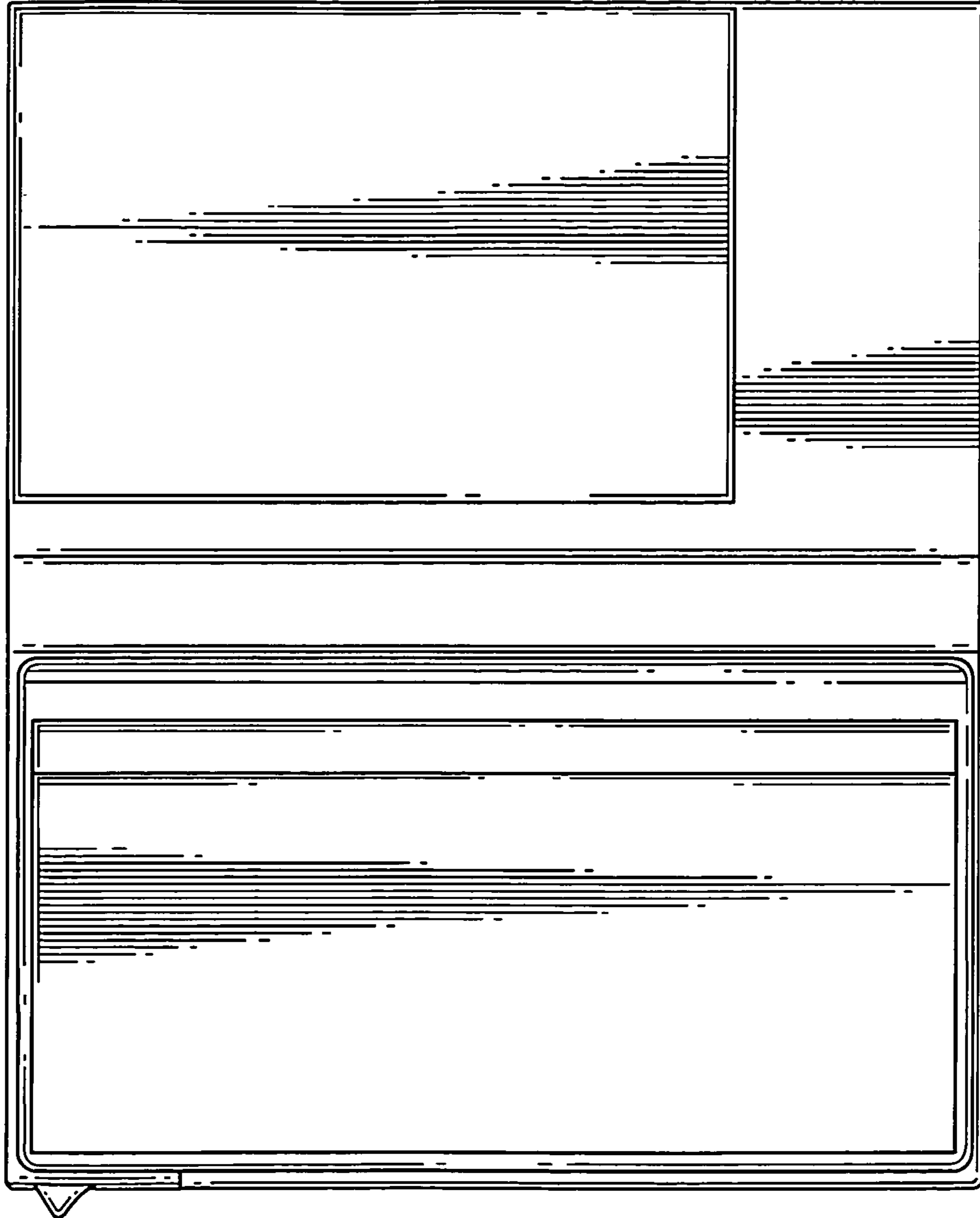


*Fig. 3*

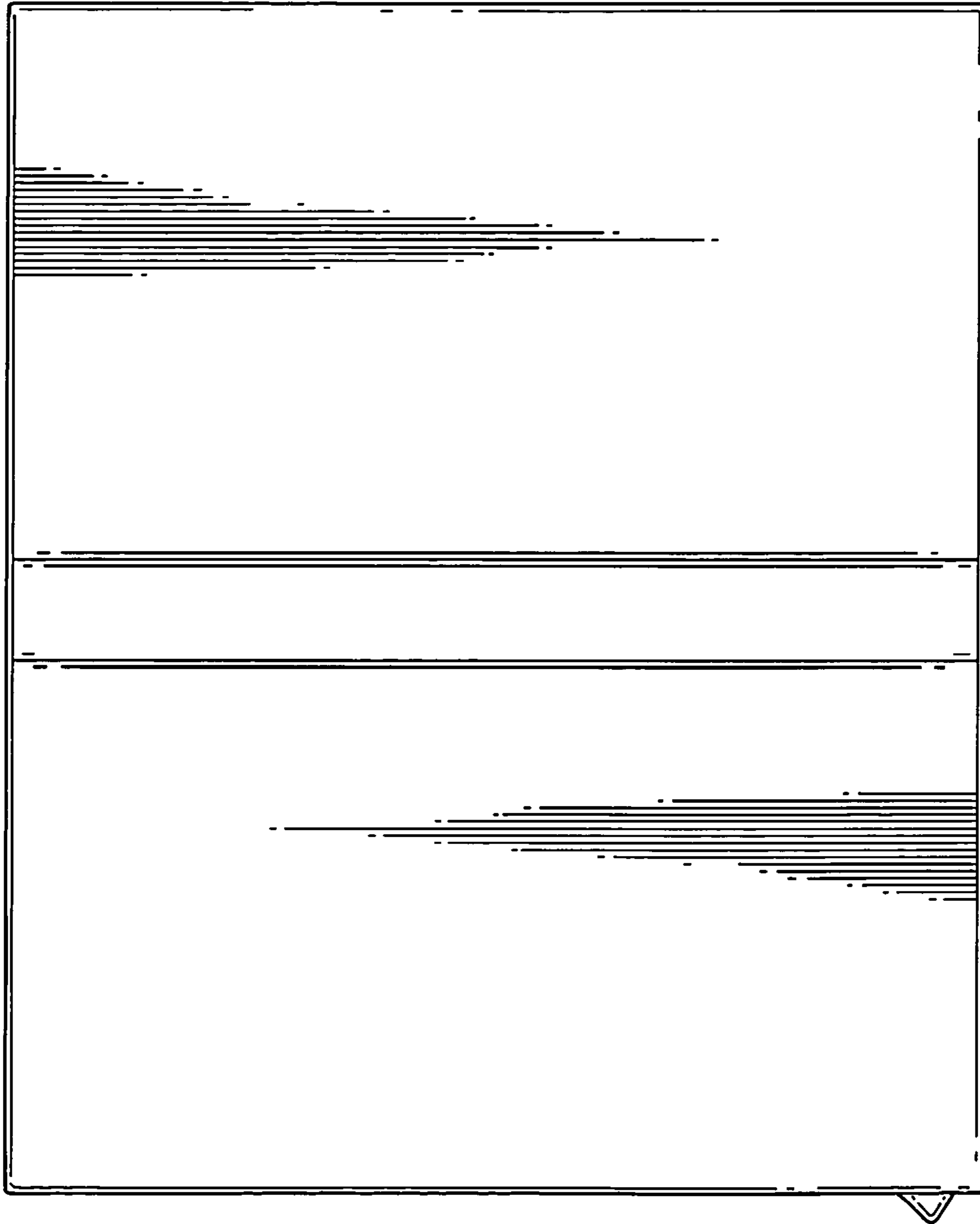


*Fig. 4*

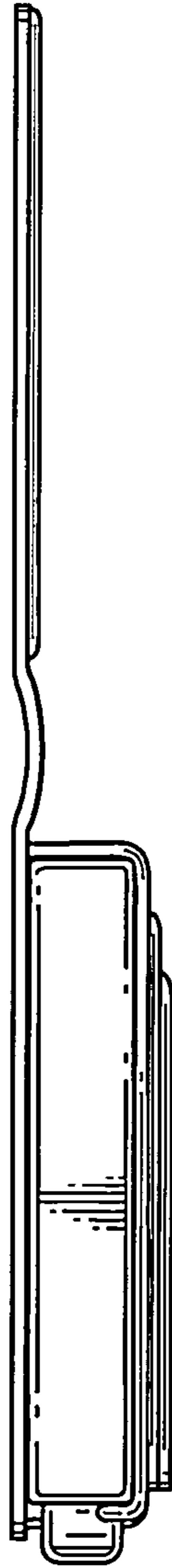




*Fig. 5*

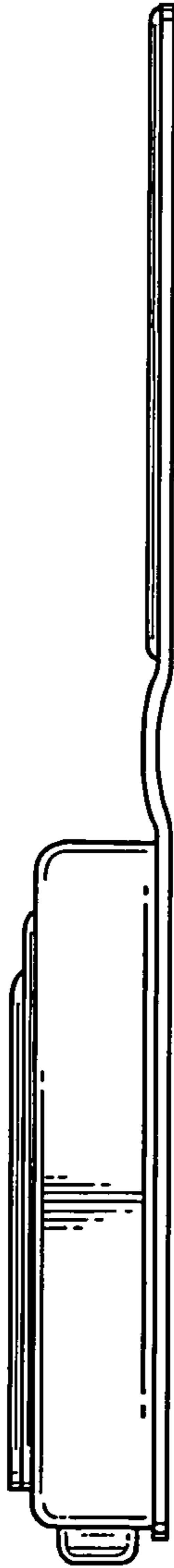


*Fig. 6*

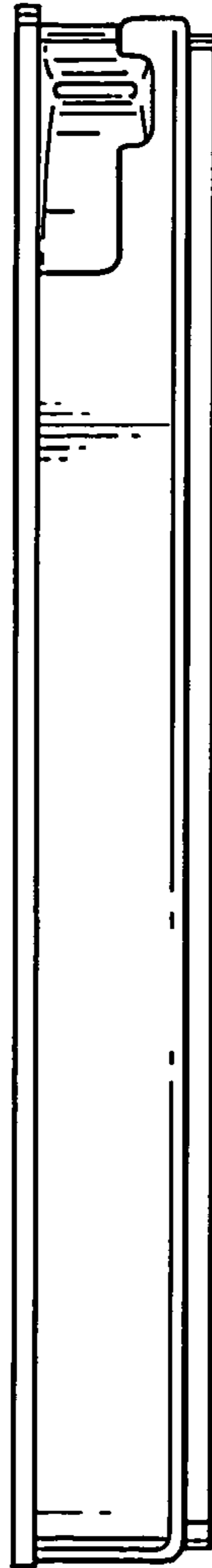


*Fig. 7*





*Fig. 8*



*Fig. 9*



*Fig. 10*