



US00D680312S

(12) **United States Design Patent**
Raysse

(10) **Patent No.:** **US D680,312 S**
(45) **Date of Patent:** **** Apr. 23, 2013**

(54) **SHOE BOTTOM**

(71) Applicant: **David Raysse**, Los Angeles, CA (US)

(72) Inventor: **David Raysse**, Los Angeles, CA (US)

(73) Assignee: **Skechers U.S.A., Inc. II**, Manhattan Beach, CA (US)

(**) Term: **14 Years**

(21) Appl. No.: **29/443,067**

(22) Filed: **Jan. 11, 2013**

(51) **LOC (9) Cl.** **02-04**

(52) **U.S. Cl.**
USPC **D2/954; D2/951; D2/955**

(58) **Field of Classification Search** D2/902,
D2/906, 908, 916, 918, 925, 946-962, 977;
36/3 B, 22 R, 24.5, 25 R, 28, 32 R, 34 R,
36/59 C, 67 A, 103

See application file for complete search history.

(56) **References Cited**

U.S. PATENT DOCUMENTS

D59,971 S	12/1921	Lebo	
D64,914 S	6/1924	McDonald	
D127,776 S	6/1941	Barber	
2,383,117 A	8/1945	Fellman	
D147,383 S	8/1947	Shaffer	
D166,742 S	5/1952	Fellman	
3,568,340 A	3/1971	Gardner	
D241,585 S	9/1976	Famolare, Jr.	
D241,988 S	10/1976	Famolare, Jr.	
4,000,566 A	1/1977	Famolare, Jr.	
D245,736 S *	9/1977	Famolare, Jr.	D2/955
D248,192 S	6/1978	Stevenson	
D263,348 S	3/1982	Cohen	
D263,518 S	3/1982	Cohen	
D278,383 S	4/1985	Michaeli	
D278,852 S	5/1985	Michaeli	
D281,829 S	12/1985	Radford	

D287,662 S	1/1987	Tonkel
D288,861 S	3/1987	Vaccaro
D303,317 S	9/1989	Nakano
D304,390 S	11/1989	Nakano
D307,975 S	5/1990	Kittle et al.
D319,338 S	8/1991	Nakano
D321,589 S	11/1991	Merk et al.
D373,013 S	8/1996	Rosetta
D388,944 S	1/1998	Avar
D390,347 S	2/1998	Bathum
D392,448 S	3/1998	Backus
D395,156 S	6/1998	Adam
D396,139 S	7/1998	Dietrich
D399,040 S	10/1998	Merceron
D401,744 S	12/1998	Greenberg
D417,945 S	12/1999	Merceron
D422,400 S	4/2000	Brady et al.
D424,792 S	5/2000	Briand

(Continued)

Primary Examiner — T. Chase Nelson

(74) *Attorney, Agent, or Firm* — Kleinberg & Lerner, LLP;
Marshall A. Lerner; Marvin H. Kleinberg

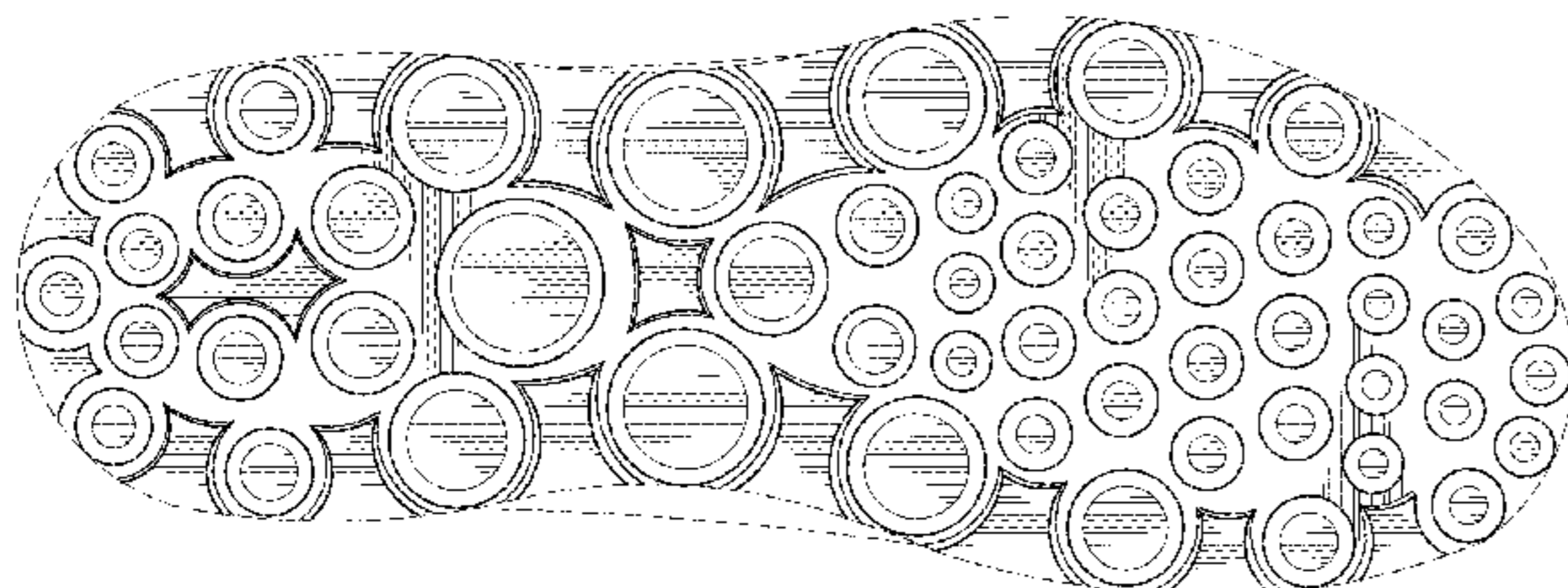
(57) **CLAIM**

The ornamental design for a shoe bottom, as shown and described.

DESCRIPTION

FIG. 1 is a perspective view of a shoe bottom in accordance with my new design.
FIG. 2 is a bottom plan view thereof;
FIG. 3 is a left side view thereof;
FIG. 4 is a right side view thereof;
FIG. 5 is a rear elevation view thereof;
FIG. 6 is a front elevation view thereof; and,
FIG. 7 is a top plan view thereof.
Broken lines showing the remainder of the shoe in the figures are for illustrative purposes only and form no part of the claimed invention.

1 Claim, 6 Drawing Sheets



US D680,312 S

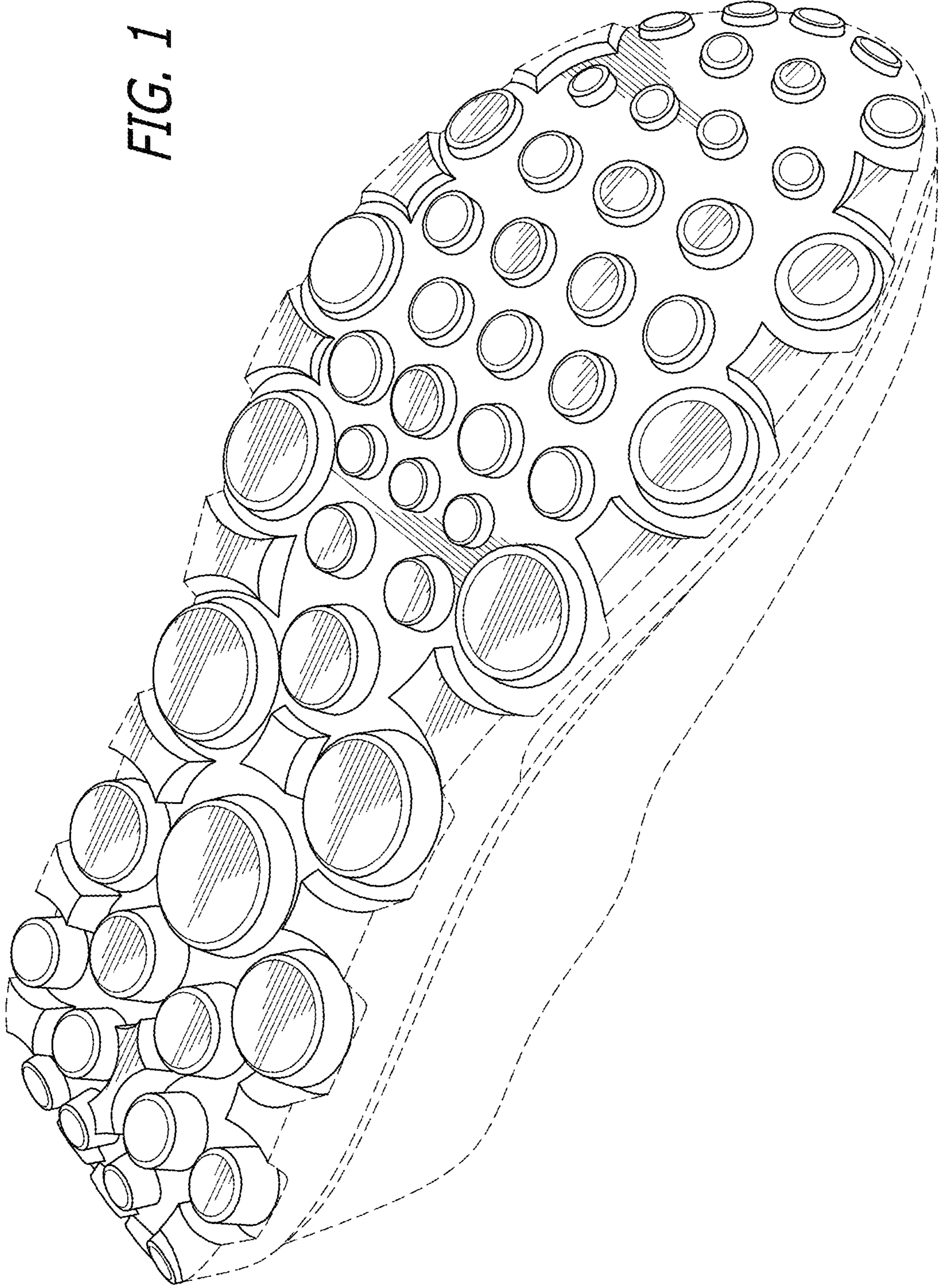
Page 2

U.S. PATENT DOCUMENTS

D426,053 S	6/2000	Santa		D578,282 S	10/2008	Duffy	
D426,946 S	6/2000	Debiase		D580,142 S	11/2008	Duffy	
D437,476 S	* 2/2001	Cavallin et al. D2/916	D583,540 S	12/2008	Henderson	
D437,676 S	2/2001	Ferrer		D591,944 S	5/2009	Issler	
D440,032 S	4/2001	Madden		D594,193 S	6/2009	Duffy	
D440,033 S	4/2001	Neely		D594,199 S	6/2009	Kasai	
D441,175 S	5/2001	Ritter et al.		D595,937 S	7/2009	Morris	
D442,767 S	5/2001	Della Valle		D596,383 S	7/2009	Morris	
D447,616 S	9/2001	Bandini et al.		D599,088 S	9/2009	Kay et al.	
D449,427 S	10/2001	McClaskie		D599,091 S	9/2009	Della Valle et al.	
D452,606 S	1/2002	Lozano		D599,993 S	9/2009	Issler	
D458,739 S	6/2002	Merceron		D602,681 S	10/2009	Della Valle et al.	
D466,682 S	12/2002	Ortuno Santa		D608,997 S	2/2010	Loverin et al.	
D468,081 S	1/2003	Recchi et al.		D608,998 S	2/2010	Loverin et al.	
D471,695 S	3/2003	Della Valle		D609,440 S	2/2010	Morris	
D474,588 S	* 5/2003	Dean D2/961	D610,788 S	3/2010	Della Valle	
D476,468 S	7/2003	Reynolds et al.		D611,233 S	3/2010	Della Valle et al.	
D478,714 S	8/2003	Recchi		D616,637 S	6/2010	Taestensen	
D479,034 S	9/2003	Tzenos		D626,321 S	11/2010	Cagner	
D481,201 S	10/2003	Shea et al.		D626,728 S	11/2010	Tzenos et al.	
D483,929 S	12/2003	Tzenos		D629,185 S	12/2010	Vico et al.	
D483,932 S	12/2003	Cooper		D631,238 S	1/2011	Loverin et al.	
D483,933 S	12/2003	Adams et al.		D631,239 S	1/2011	Loverin et al.	
D485,973 S	2/2004	Adams		D631,646 S	2/2011	Muller	
D487,837 S	3/2004	McClaskie		D634,527 S	3/2011	Butler	
D487,838 S	3/2004	McClaskie		D636,156 S	4/2011	Della Valle et al.	
D490,223 S	5/2004	McClaskie		D637,799 S	5/2011	Della Valle et al.	
D495,861 S	9/2004	Georgiou et al.		7,966,748 B2	6/2011	Votolato	
D498,349 S	11/2004	Adams et al.		D650,980 S	12/2011	Raysse	
D498,350 S	11/2004	Recchi		D651,788 S	1/2012	Raysse	
D508,161 S	8/2005	Hatfield et al.		D652,613 S	1/2012	Raysse	
D509,647 S	9/2005	McClaskie		D652,614 S	1/2012	Raysse	
D516,283 S	3/2006	Tzenos		D655,901 S	* 3/2012	Raysse D2/954
D519,265 S	4/2006	Gerber		D656,720 S	4/2012	Wawrousek	
D527,878 S	9/2006	Edwards		D659,954 S	5/2012	Della Valle et al.	
D530,066 S	10/2006	Earle		D659,966 S	* 5/2012	Lo D2/957
D530,490 S	10/2006	Sonnergren		D661,880 S	* 6/2012	Raysse D2/947
D533,333 S	12/2006	Cessor		D661,882 S	6/2012	Raysse	
D536,517 S	2/2007	Gerber		D662,295 S	6/2012	Raysse	
D539,516 S	4/2007	McClaskie		D662,301 S	* 6/2012	Raysse D2/969
D542,516 S	5/2007	Petrie		D662,700 S	7/2012	Raysse	
D548,934 S	8/2007	Choi		D663,927 S	* 7/2012	Teng-Lee D2/947
D551,832 S	10/2007	Scott		D663,929 S	7/2012	Teng-Lee	
D556,432 S	12/2007	Gerber		D667,206 S	9/2012	Teng-Lee	
D559,510 S	1/2008	McClaskie		D667,618 S	9/2012	Raysse	
D560,053 S	1/2008	McClaskie		D670,070 S	11/2012	Della Valle et al.	
D560,886 S	2/2008	McClaskie		D672,942 S	12/2012	Della Valle et al.	
D560,888 S	2/2008	Della Valle		2005/0241180 A1	11/2005	Squadroni	
D566,934 S	4/2008	Della Valle		2007/0266592 A1	11/2007	Smith et al.	
D572,441 S	7/2008	Moretti		2009/0113760 A1	5/2009	Dominguez	
D573,333 S	7/2008	Petrie		2011/0035963 A1	2/2011	Baker et al.	
D573,334 S	7/2008	Petrie		2011/0192056 A1	8/2011	Geser et al.	

* cited by examiner

FIG. 1



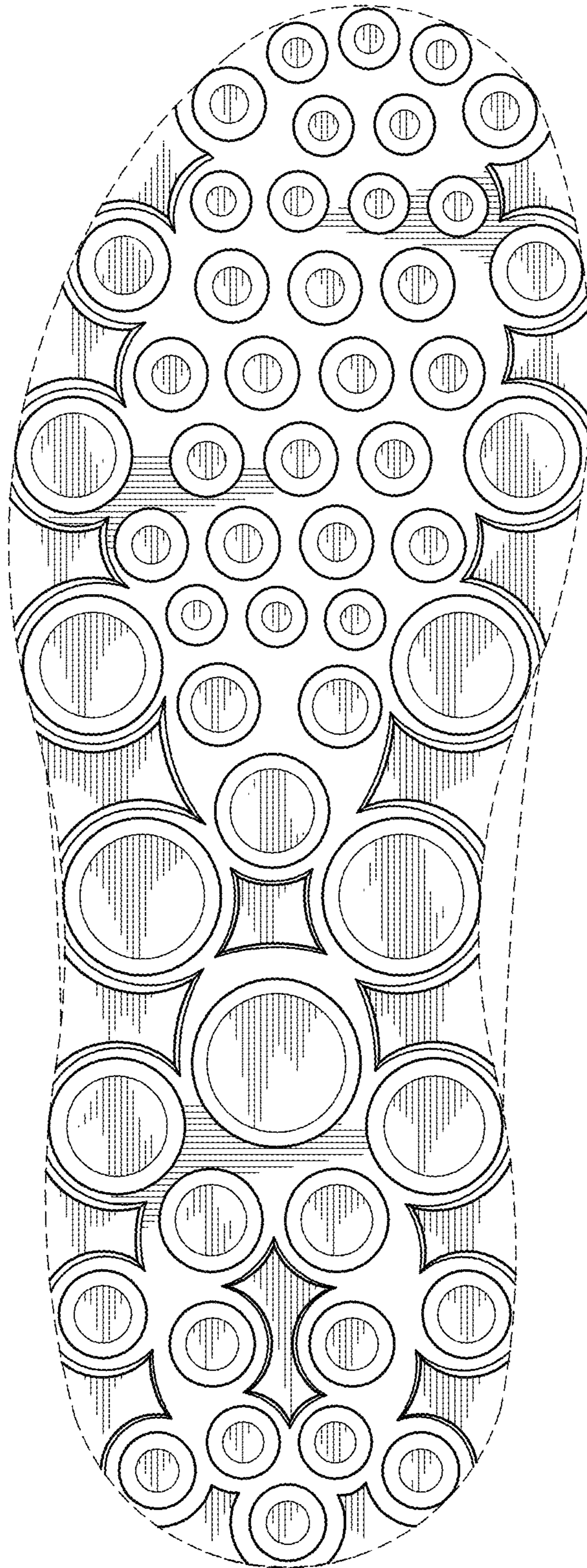


FIG. 2

FIG. 3

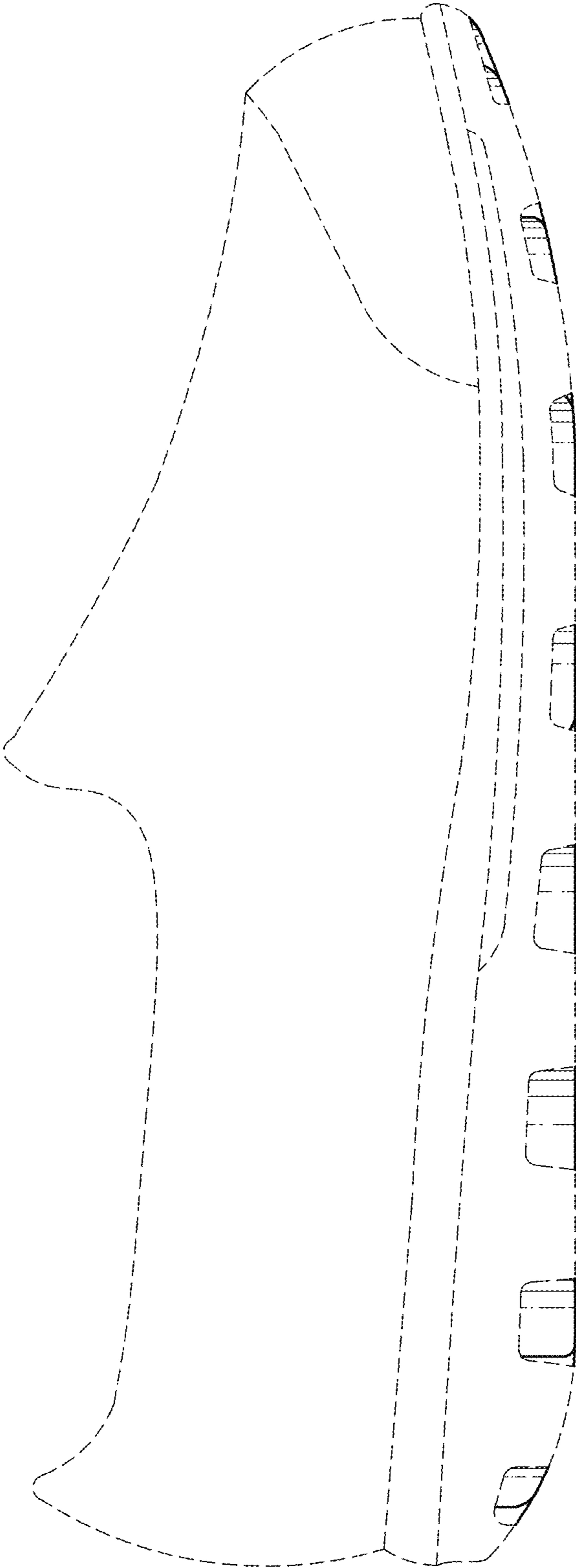


FIG. 4

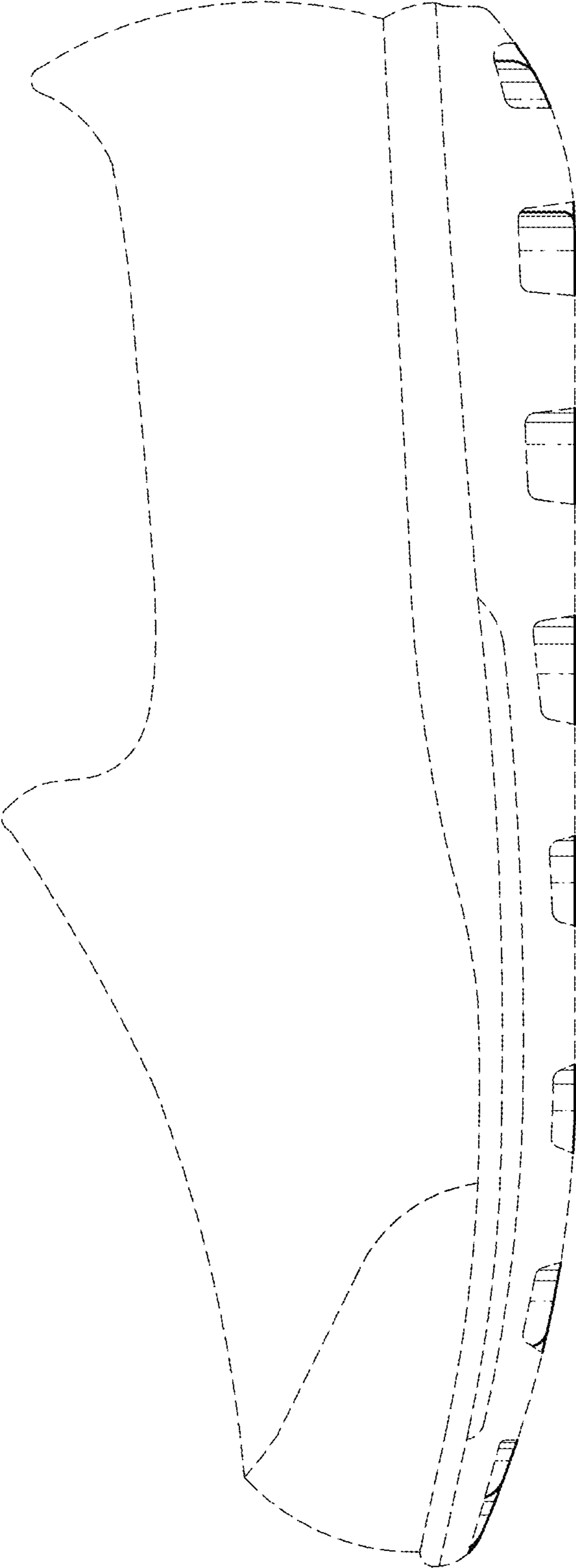


FIG. 6

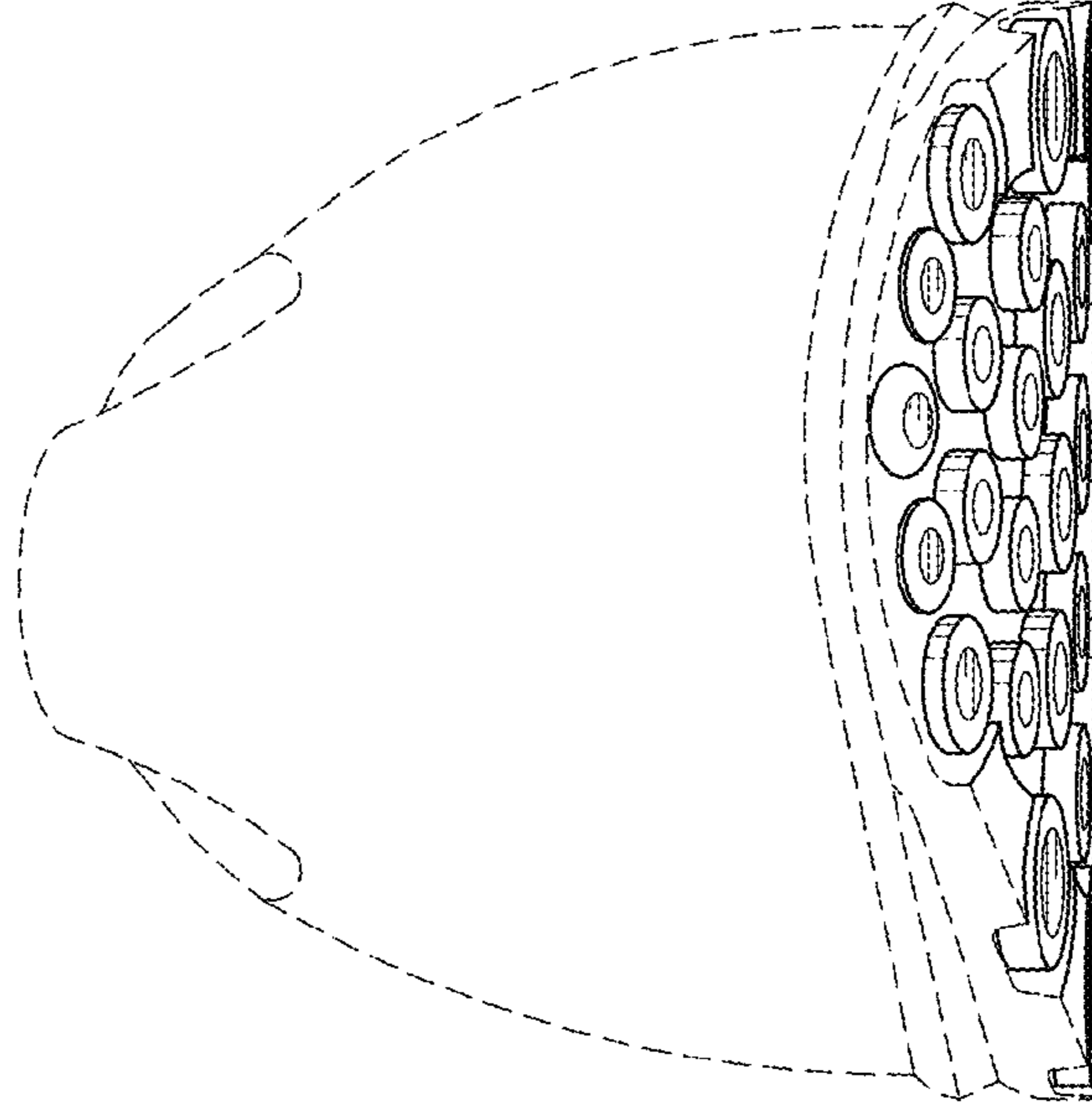


FIG. 5

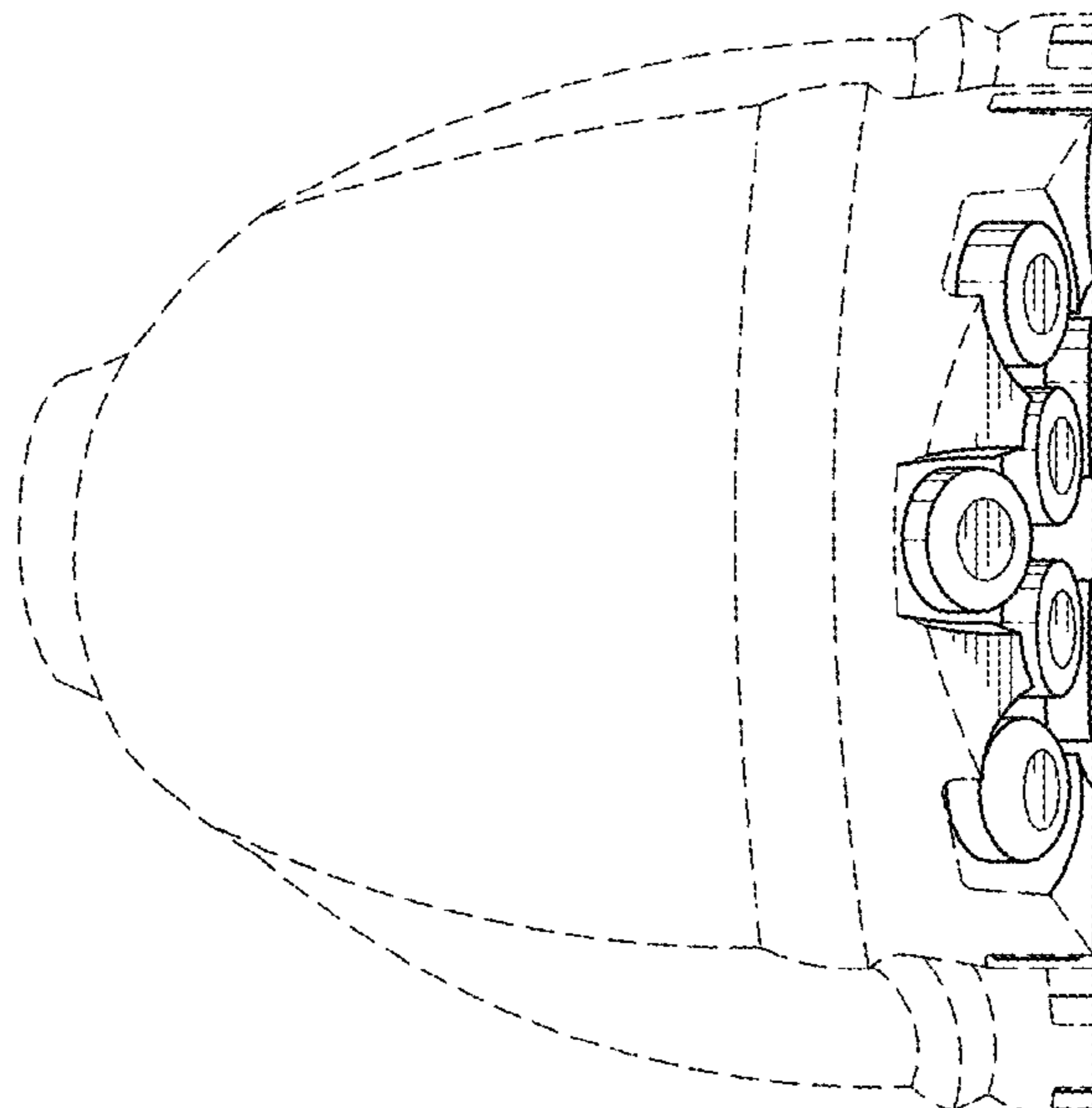


FIG. 7

