



US00D680304S

(12) **United States Design Patent**
Greenberg et al.

(10) **Patent No.:** **US D680,304 S**
(45) **Date of Patent:** **** Apr. 23, 2013**

(54) **SHORT-SLEEVE SHIRT WITH CUFFS AND BAND**

(76) Inventors: **Derrick S. Greenberg**, Manalapan, NJ (US); **Michael A. D'Angelo**, Perrineville, NJ (US)

(**) Term: **14 Years**

(21) Appl. No.: **29/428,937**

(22) Filed: **Aug. 6, 2012**

(51) **LOC (9) Cl.** **02-02**

(52) **U.S. Cl.**
USPC **D2/840**

(58) **Field of Classification Search** D2/717,
D2/749-751, 840, 841, 844, 858, 842, 847;
2/90, 105, 106, 115, 123

See application file for complete search history.

(56) **References Cited**

U.S. PATENT DOCUMENTS

| | | | | | |
|--------------|------|---------|------------------|-------|-----------|
| 1,097,024 | A * | 5/1914 | Holverson | | 2/124 |
| D108,173 | S * | 1/1938 | De Bernard | | D2/842 |
| 2,792,572 | A * | 5/1957 | Rosenbaum et al. | | 2/90 |
| D193,760 | S * | 10/1962 | Sanders | | D2/858 |
| 4,566,155 | A * | 1/1986 | Kurashima | | 24/102 SL |
| D341,471 | S * | 11/1993 | Cross | | D2/717 |
| D421,329 | S * | 3/2000 | Adams | | D2/841 |
| 6,430,747 | B1 * | 8/2002 | Lee | | 2/60 |
| D646,467 | S * | 10/2011 | Campbell | | D2/840 |
| D648,925 | S * | 11/2011 | Anderson et al. | | D2/849 |
| D668,431 | S * | 10/2012 | MacGillivray | | D2/717 |
| 2008/0047046 | A1 * | 2/2008 | Maier | | 2/102 |
| 2008/0289152 | A1 * | 11/2008 | Surratt | | 24/41.1 |

OTHER PUBLICATIONS

Sybarites. <http://www.sybarites.com/2008/08/ralph-lauren-olympic-clothes/>. Aug. 2008. "Ralph Lauren Olympic Uniform".*
Stock.xchng. <http://www.sxc.hu/photo/1170230>. Apr. 2009. "Stock illustration: white poloshirt".*
Groupon. <http://www.groupon.com/pages/gg-mens-short-sleeve-button-down-options>. Date Unknown: Nov. 2012. "French-cuff cambric in white (116M20598C1)".*

* cited by examiner

Primary Examiner — Rashida Johnson

(74) *Attorney, Agent, or Firm* — K&L Gates LLP

(57) **CLAIM**

The ornamental design for a short-sleeve shirt with cuffs and band, as shown and described.

DESCRIPTION

FIG. 1 is a perspective view of a short-sleeve shirt with cuffs and band.

FIG. 2 is a front view thereof.

FIG. 3 is a back view thereof.

FIG. 4 is a view from the left side thereof.

FIG. 5 is a view from the right side thereof.

FIG. 6 is a view from the top thereof.

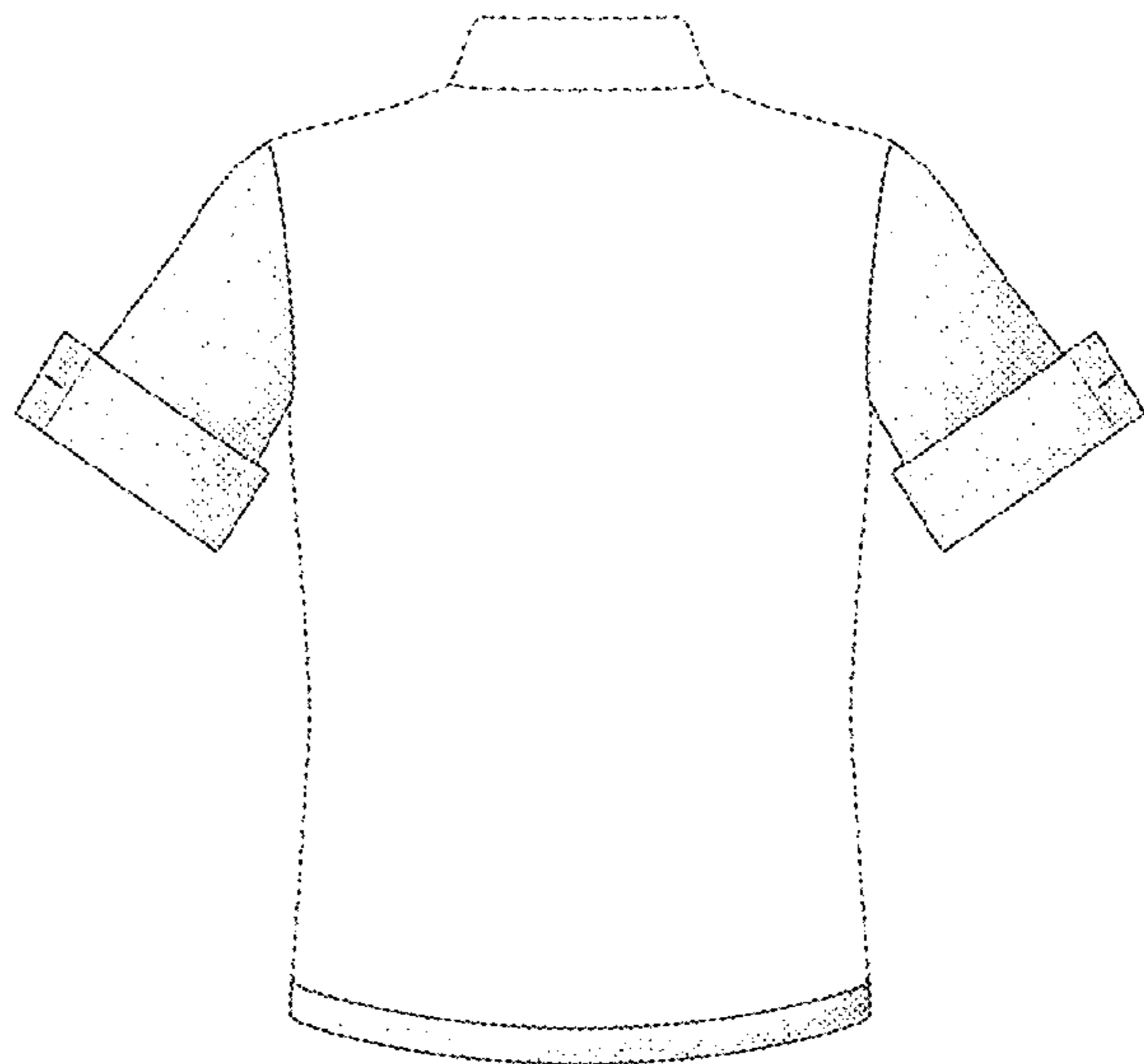
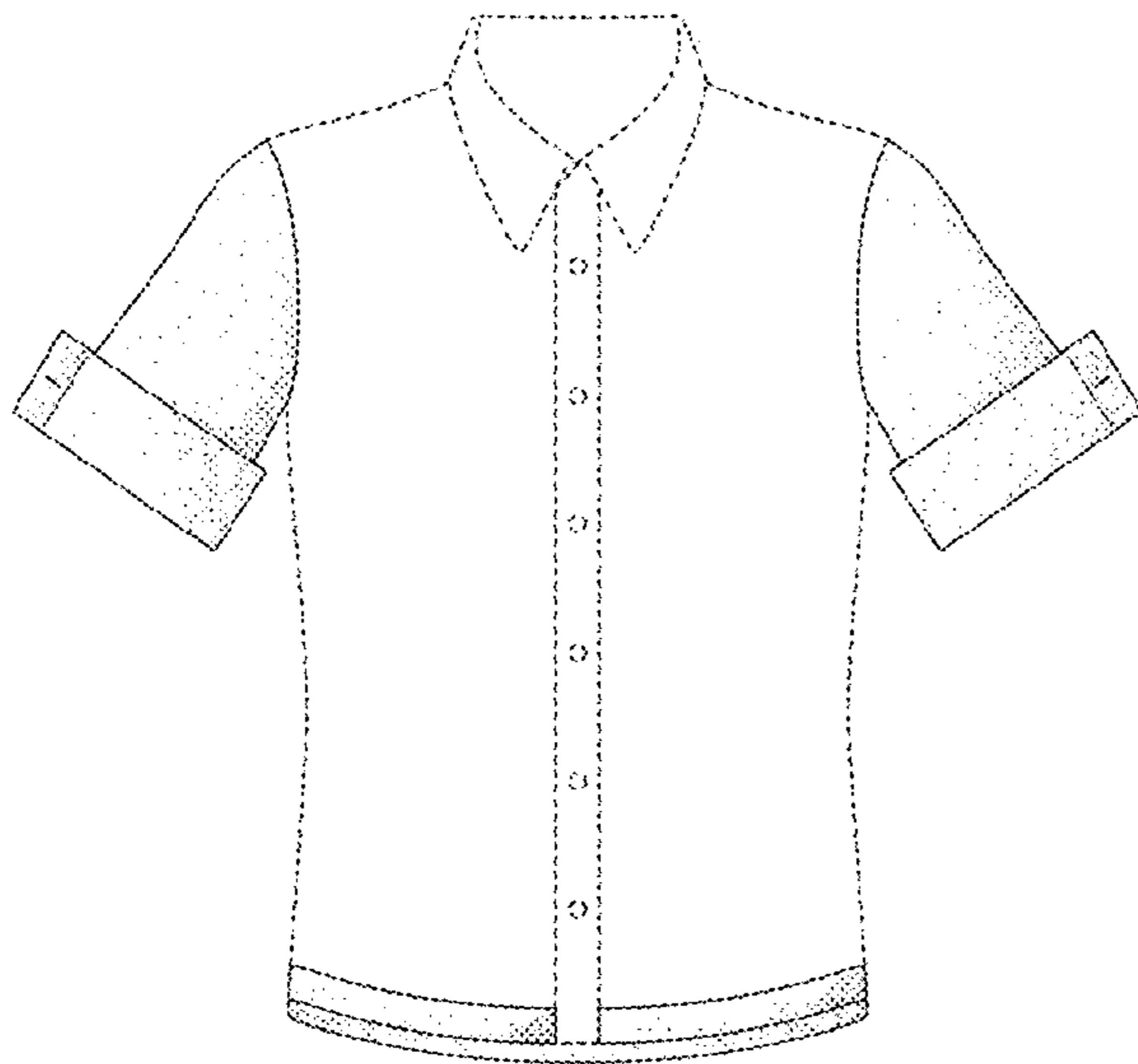
FIG. 7 is a view from the bottom thereof.

FIG. 8 is an enlarged partial view of the cuff of the shirt; and,

FIG. 9 is another enlarged partial view of the cuff of the shirt.

The broken lines shown throughout the views represent the portions of the shirt, which form no part of the claimed design.

1 Claim, 9 Drawing Sheets



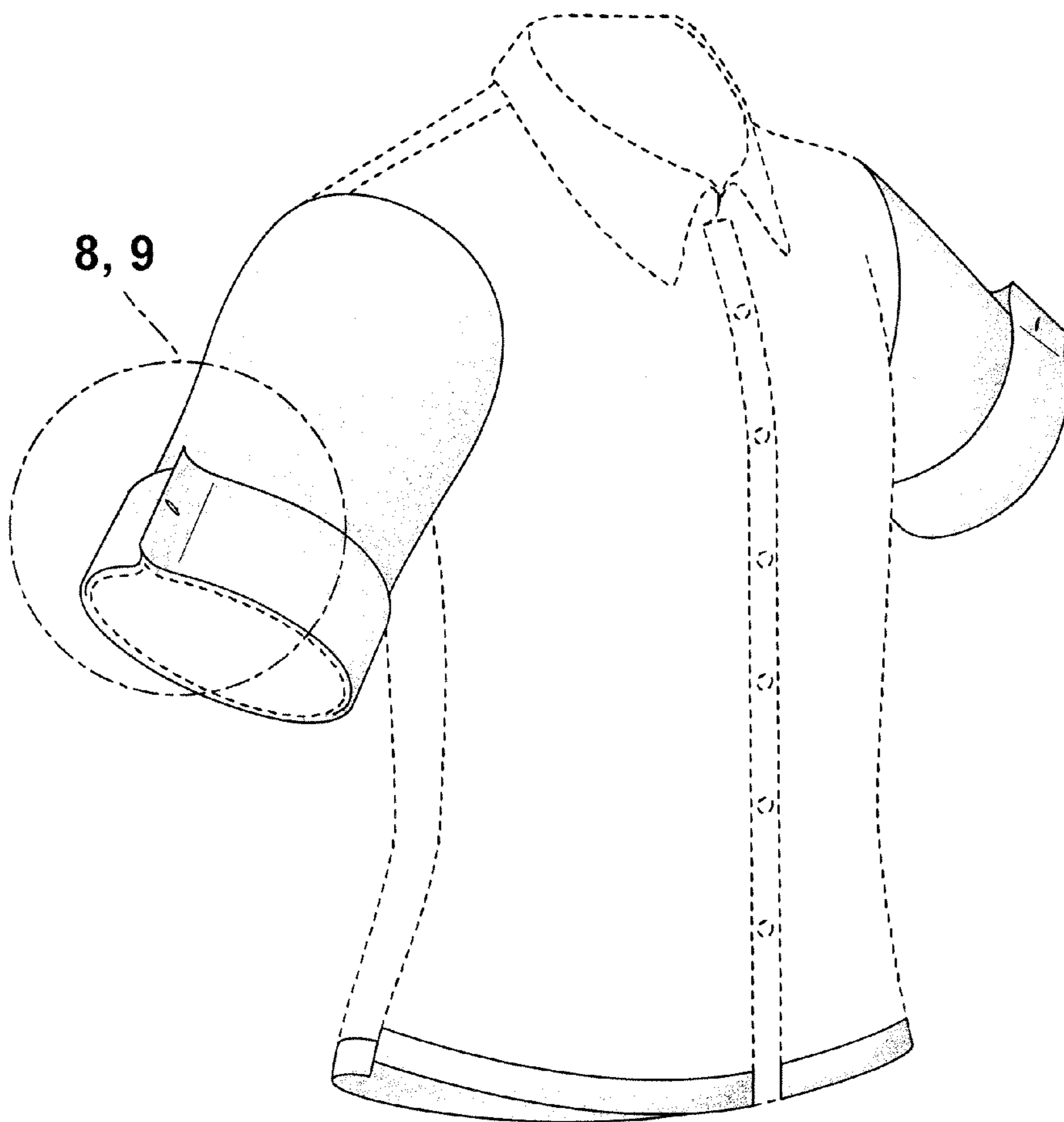


FIG. 1

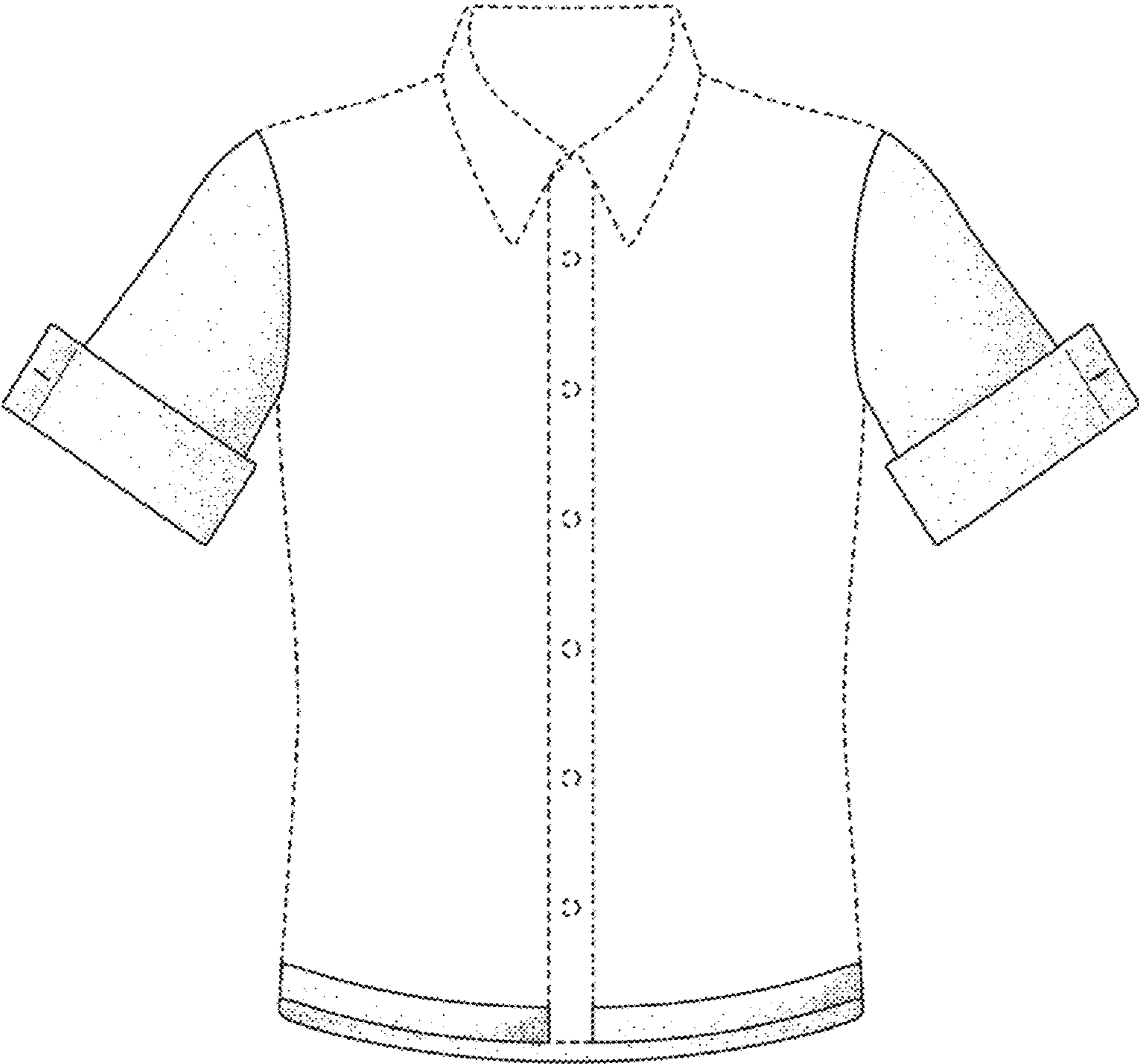


FIG. 2

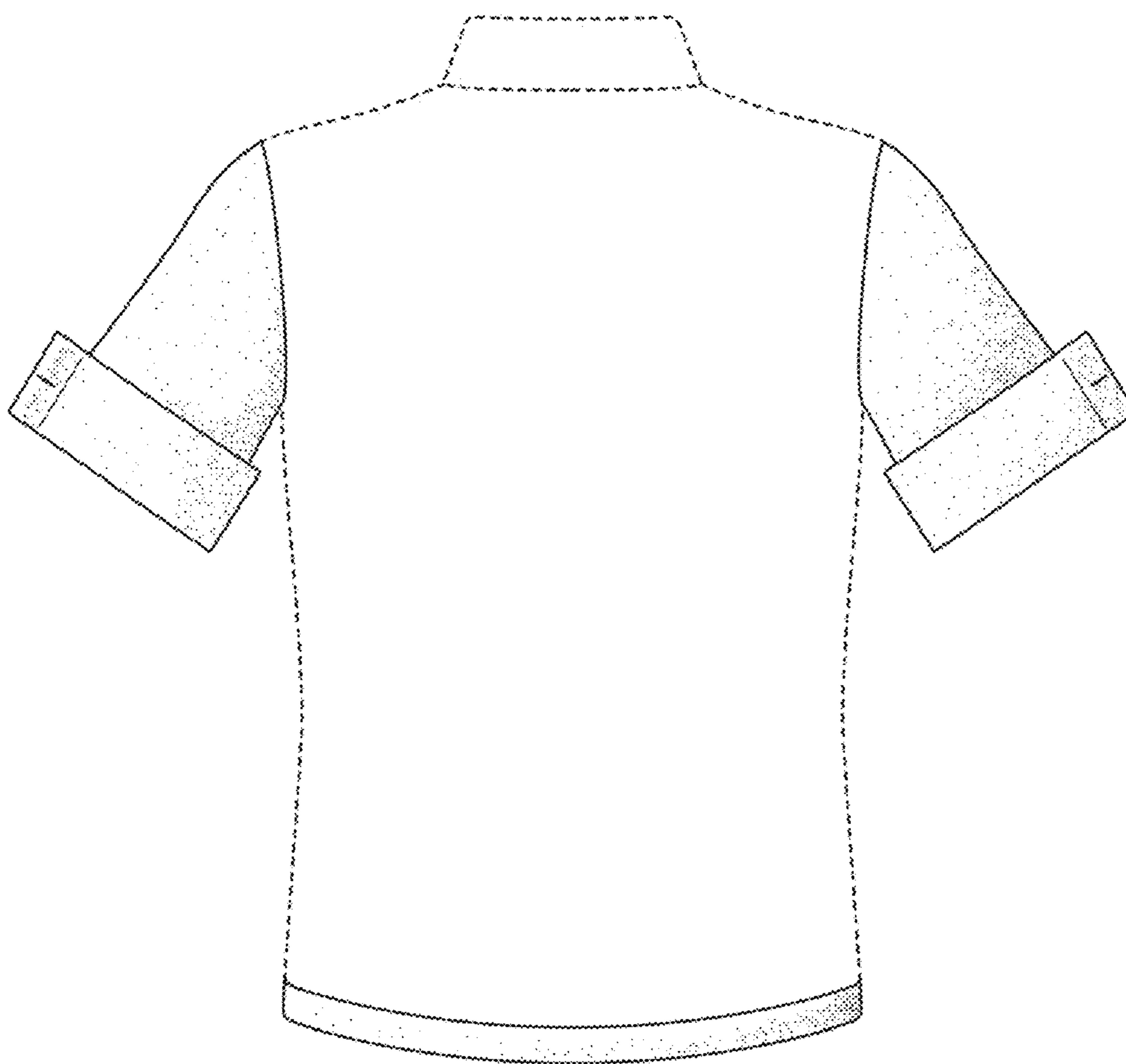


FIG. 3

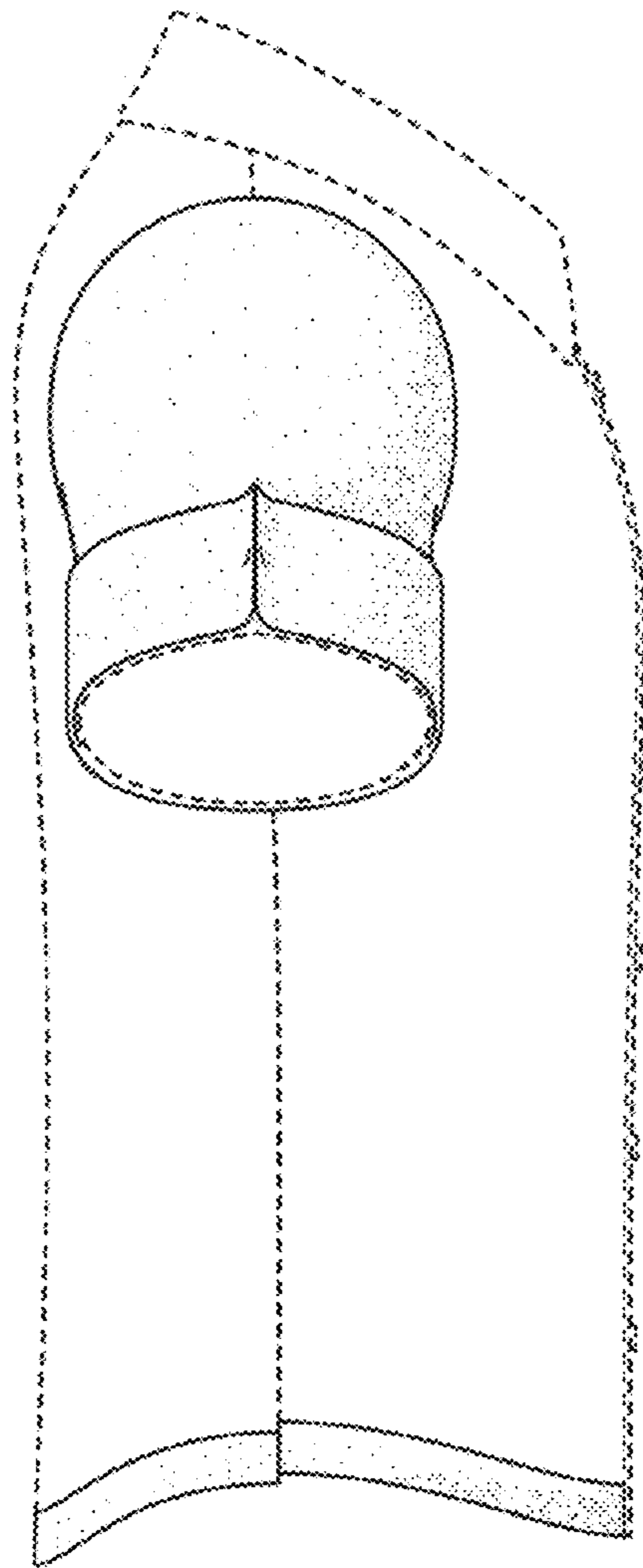


FIG. 4

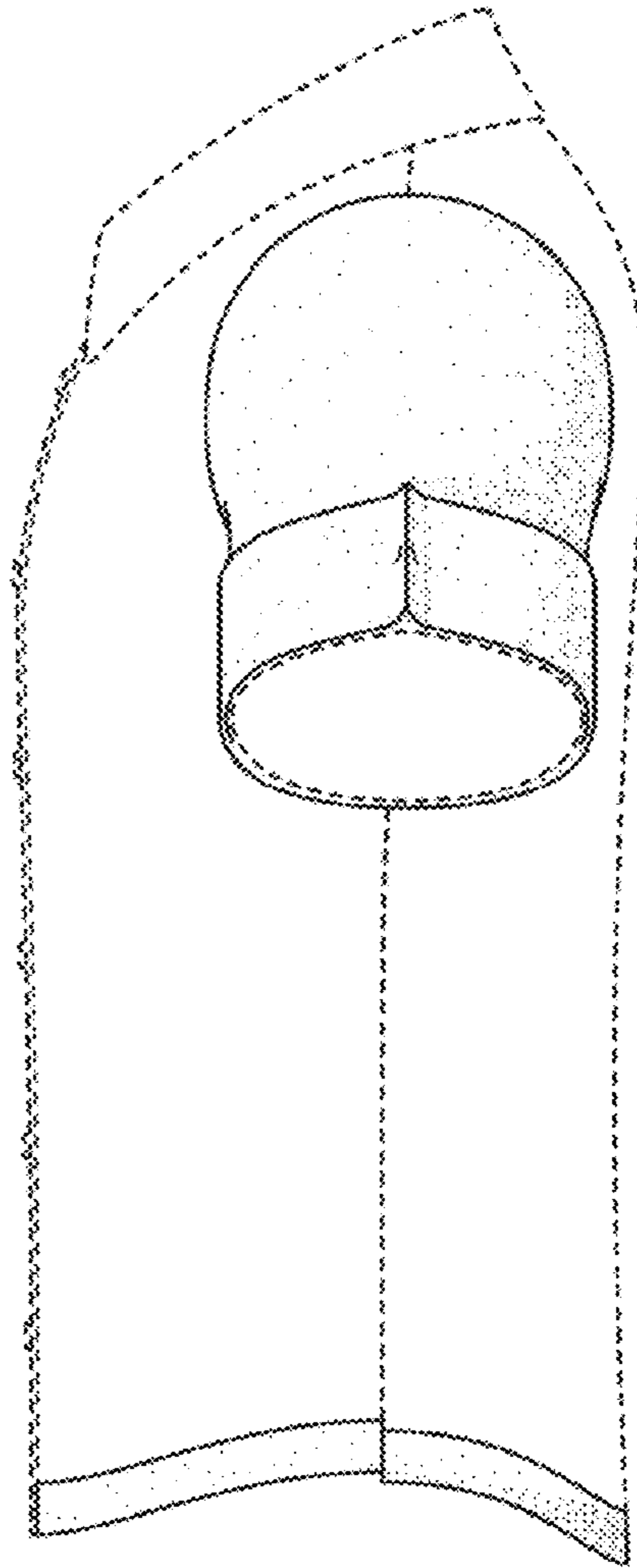


FIG. 5

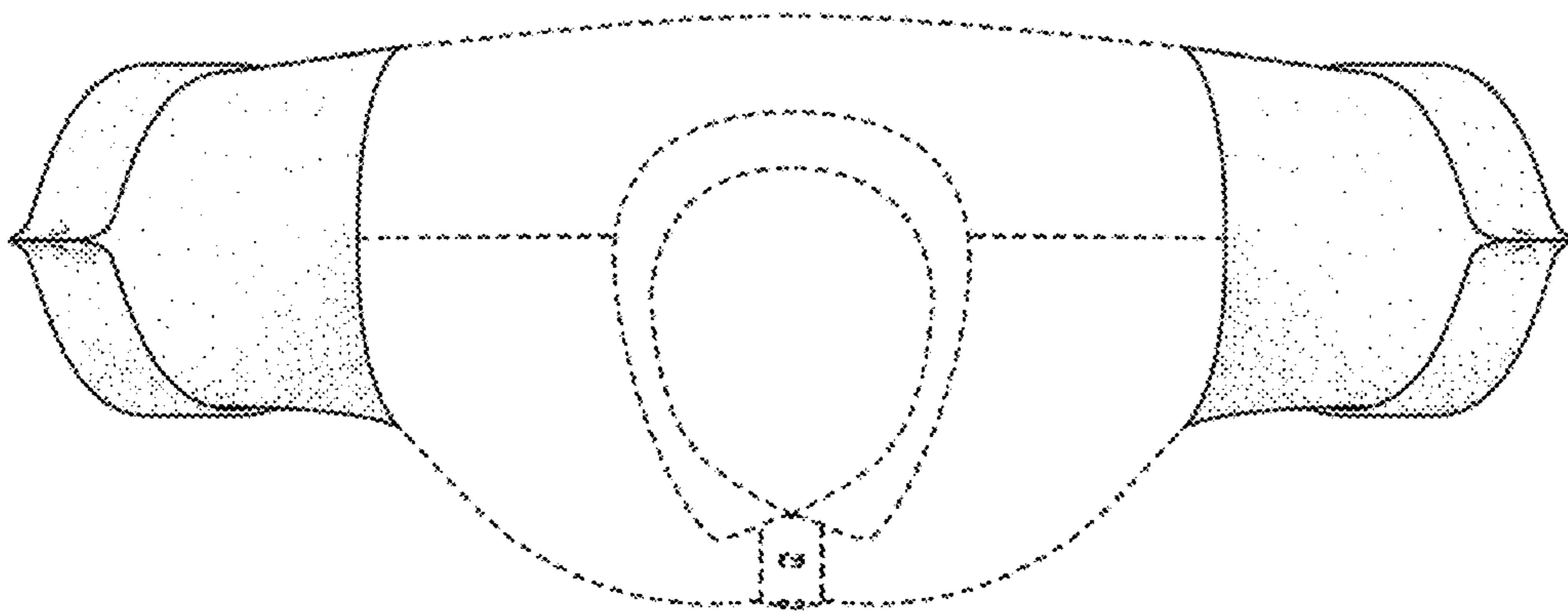


FIG. 6

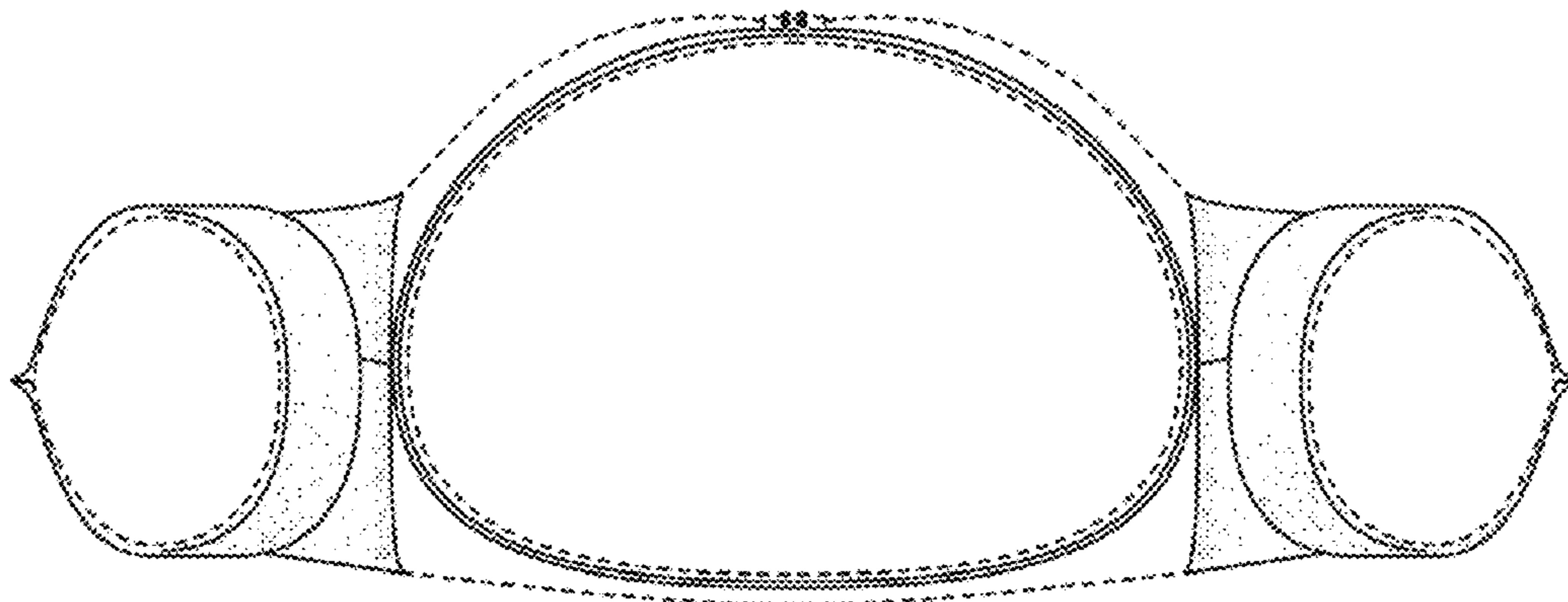


FIG. 7

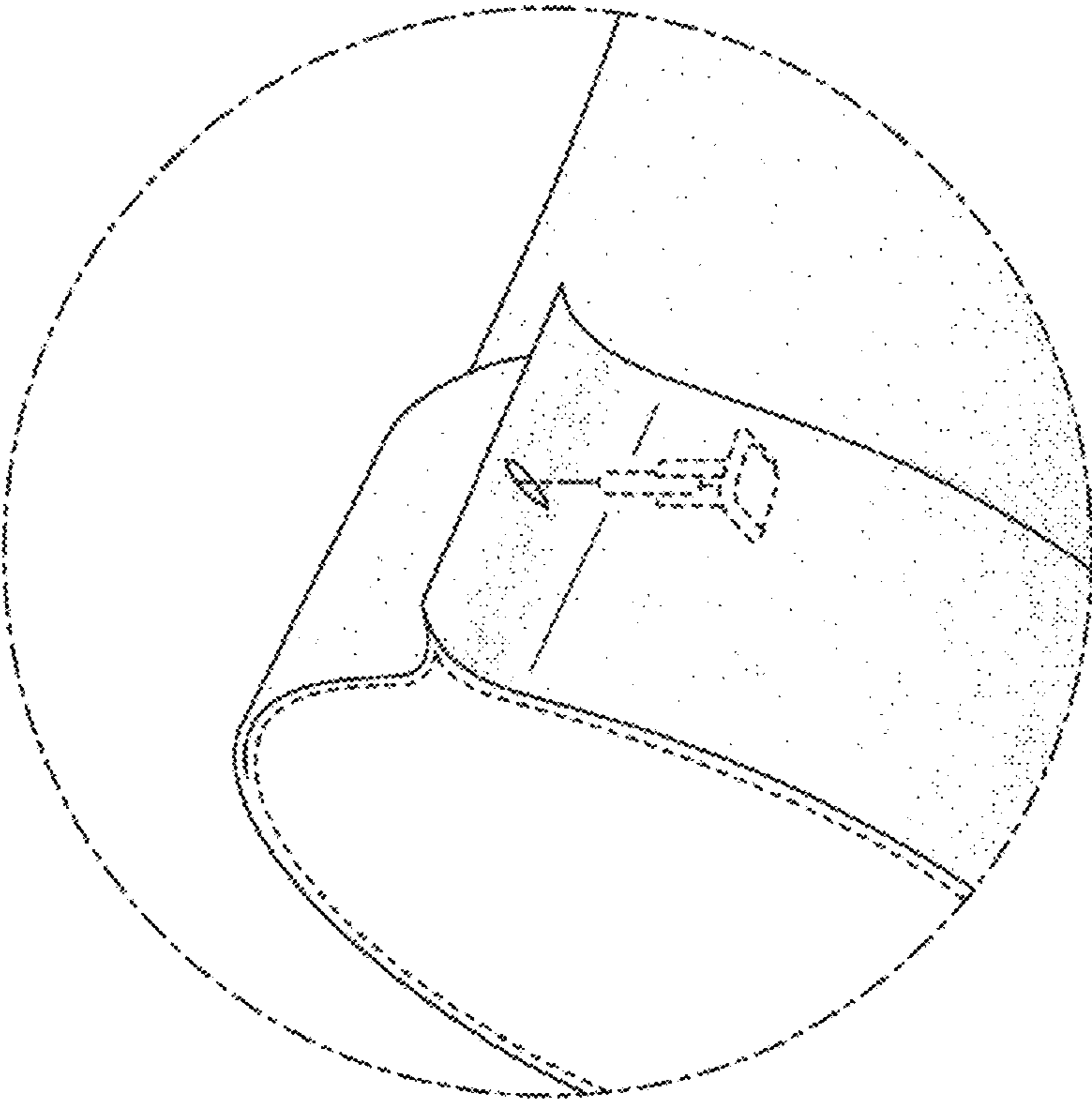


FIG. 8

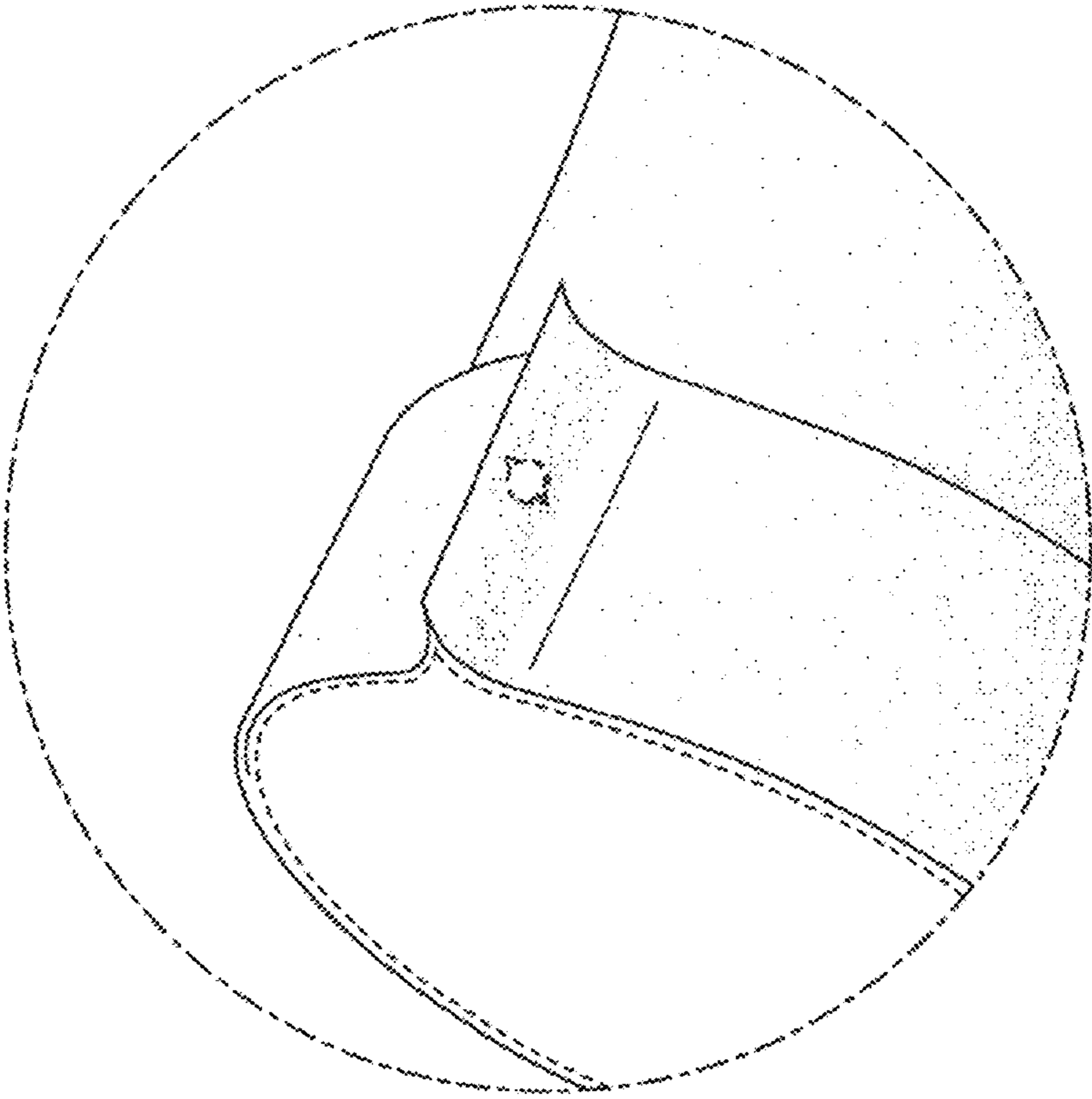


FIG. 9