



US00D680299S

(12) **United States Design Patent**  
**Scott**

(10) **Patent No.:** **US D680,299 S**  
(45) **Date of Patent:** **\*\* Apr. 23, 2013**

(54) **JEANS**

(71) Applicant: **Philip Walter Scott**, Chipley, FL (US)

(72) Inventor: **Philip Walter Scott**, Chipley, FL (US)

(\*\*) Term: **14 Years**

(21) Appl. No.: **29/437,110**

(22) Filed: **Nov. 13, 2012**

(51) **LOC (9) Cl.** ..... **02-02**

(52) **U.S. Cl.**  
USPC ..... **D2/742**

(58) **Field of Classification Search** ..... D2/712,  
D2/713, 731, 732, 737, 738, 742, 743, 747,  
D2/748, 857, 983; 2/79, 227, 228, 235-238,  
2/400, 403, 406, 247  
See application file for complete search history.

(56) **References Cited**

**U.S. PATENT DOCUMENTS**

2,264,958	A	12/1941	Smith	
D226,643	S	4/1973	Cooper	
D255,168	S	6/1980	Taylor	
5,008,962	A	4/1991	Smith	
5,050,244	A *	9/1991	Kleinman	2/227
D378,317	S	3/1997	Wike	
5,634,215	A *	6/1997	DeBaene	2/227
5,790,984	A *	8/1998	Doubleday	2/69
D459,056	S *	6/2002	Serfontein	D2/742
D475,836	S *	6/2003	Rohach	D2/742
D481,196	S	10/2003	Rocha	
D494,744	S	8/2004	Landry	
6,928,661	B2	8/2005	Lewis	
D513,660	S	1/2006	Greene	
D536,157	S *	2/2007	Kimmel	D2/742

D580,629	S *	11/2008	Adams et al.	D2/742
D598,180	S	8/2009	Fu	
D610,329	S *	2/2010	Prechel	D2/742
D613,039	S	4/2010	Viola	
D616,630	S	6/2010	Christiansen	
D641,959	S *	7/2011	Abrams et al.	D2/742
D664,737	S *	8/2012	Slank	D2/742
D666,788	S	9/2012	Hines	
2002/0138893	A1 *	10/2002	Culhane	2/79
2012/0117705	A1 *	5/2012	Hawkins et al.	2/23

**FOREIGN PATENT DOCUMENTS**

FR	2873543	A1 *	2/2006
JP	2000045108	A *	2/2000
JP	2012092474	A *	5/2012

\* cited by examiner

*Primary Examiner* — Rashida Johnson

(74) *Attorney, Agent, or Firm* — QuickPatents; Kevin Prince

(57) **CLAIM**

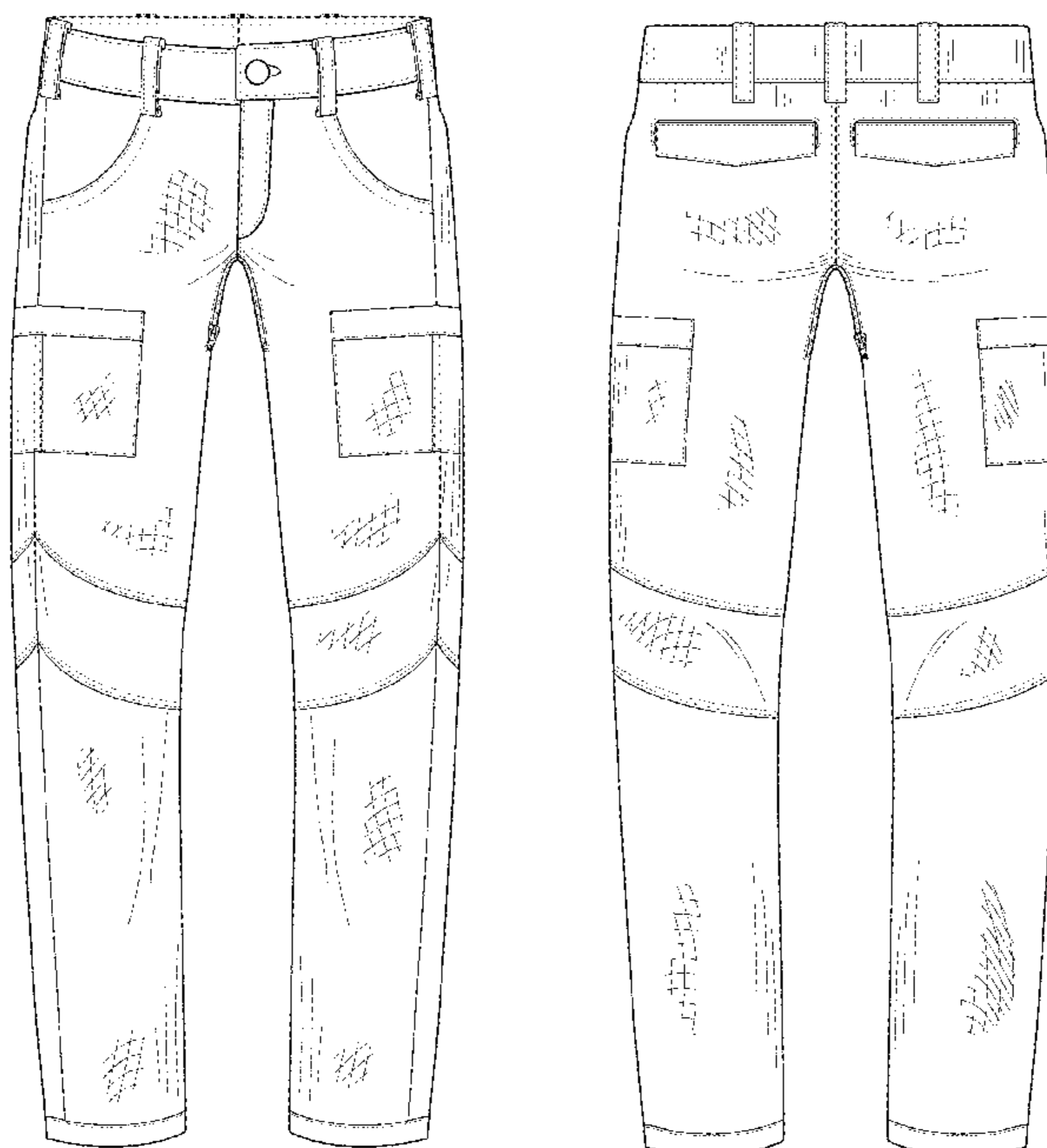
I claim the ornamental design for jeans, as shown and described.

**DESCRIPTION**

FIG. 1 is a perspective view of jeans, showing my new design; FIG. 2 is a front elevational view of FIG. 1; FIG. 3 is a rear elevational view of FIG. 1; FIG. 4 is a right-side elevational view of FIG. 1; FIG. 5 is a left-side elevational view of FIG. 1; FIG. 6 is a top plan view of FIG. 1; and, FIG. 7 is a bottom plan view thereof.

The broken lines showing a person in FIG. 1 depict environmental matter and form no part of the claimed design. The remaining broken lines represent stitching, and are part of the claimed design.

**1 Claim, 3 Drawing Sheets**



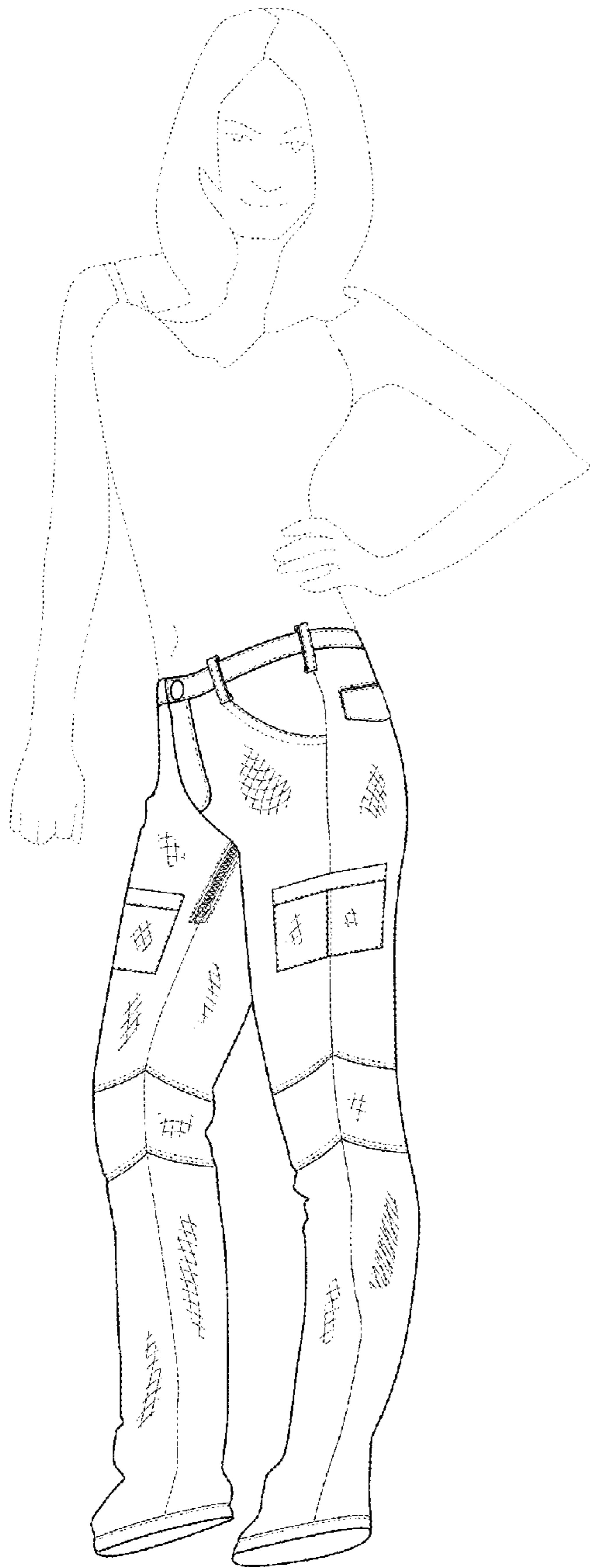


FIG. 1

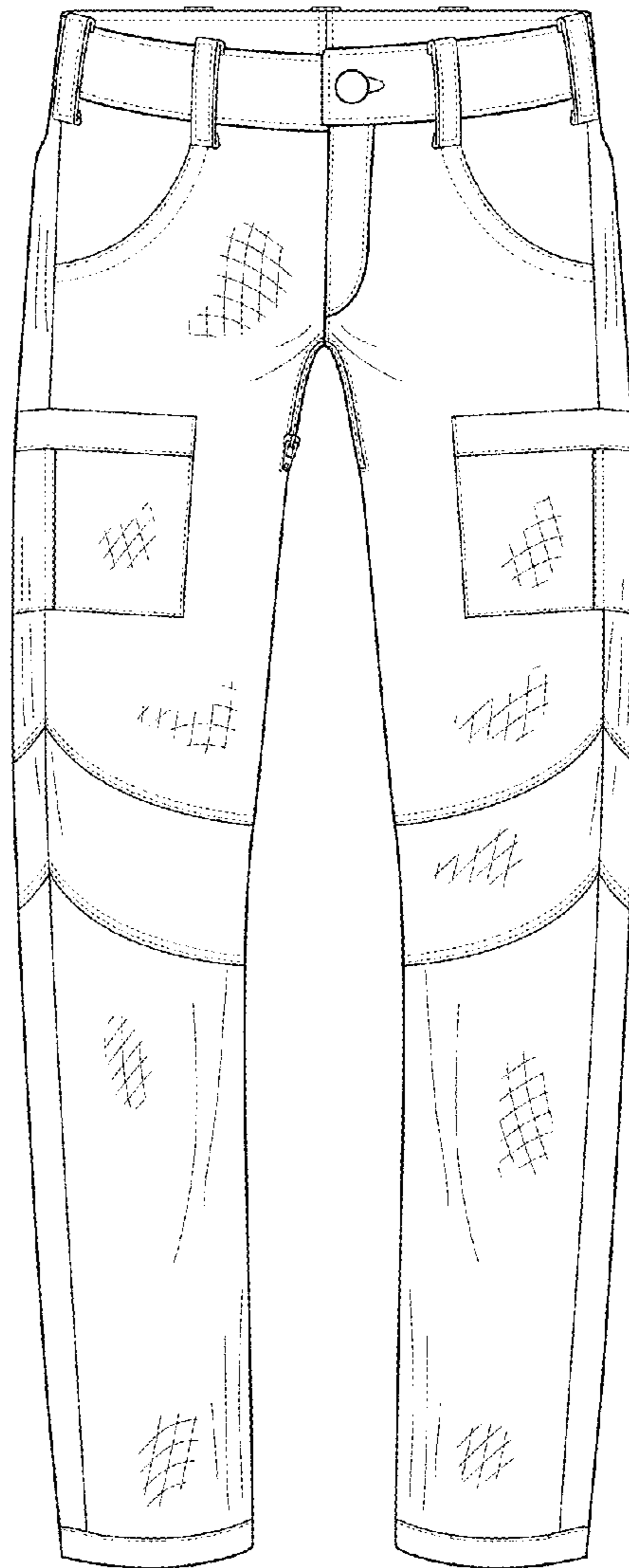


FIG. 2

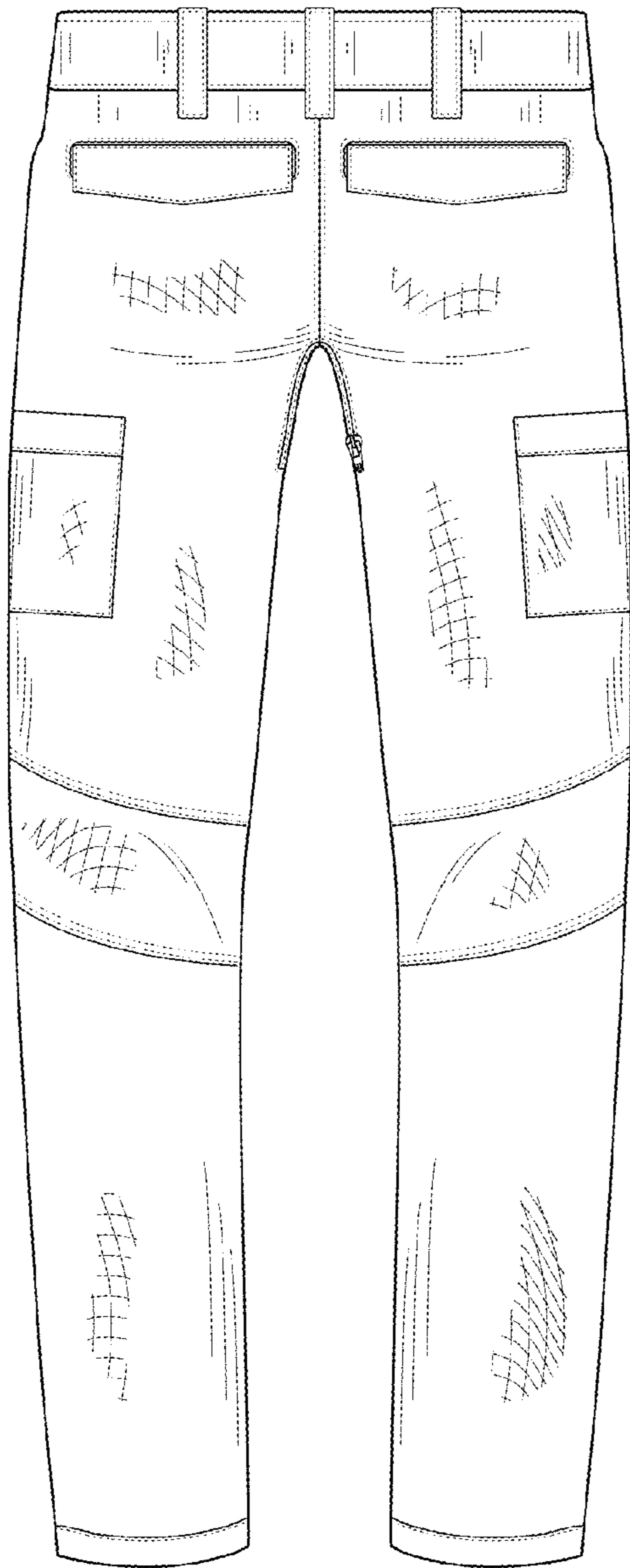


FIG. 3

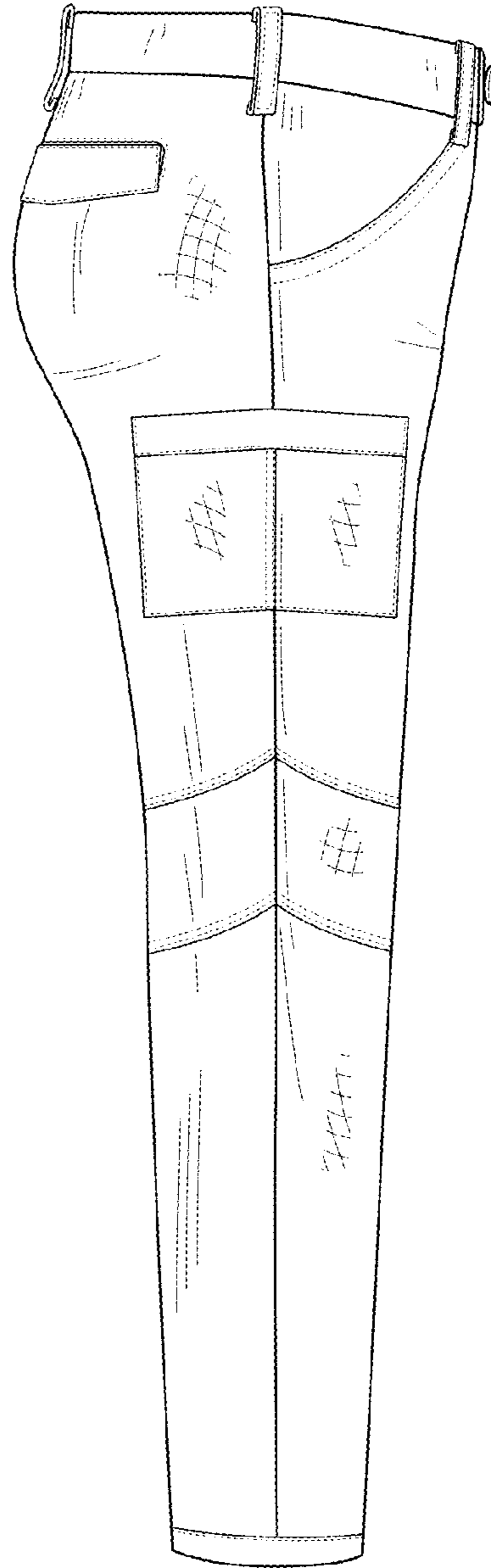


FIG. 4

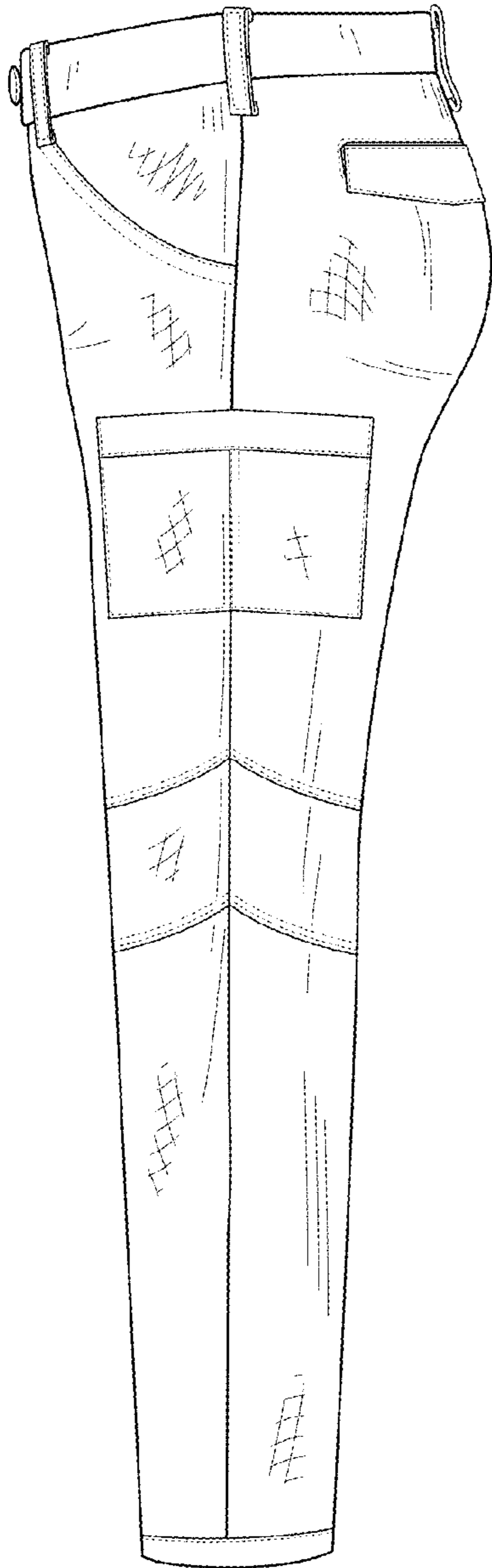


FIG. 5

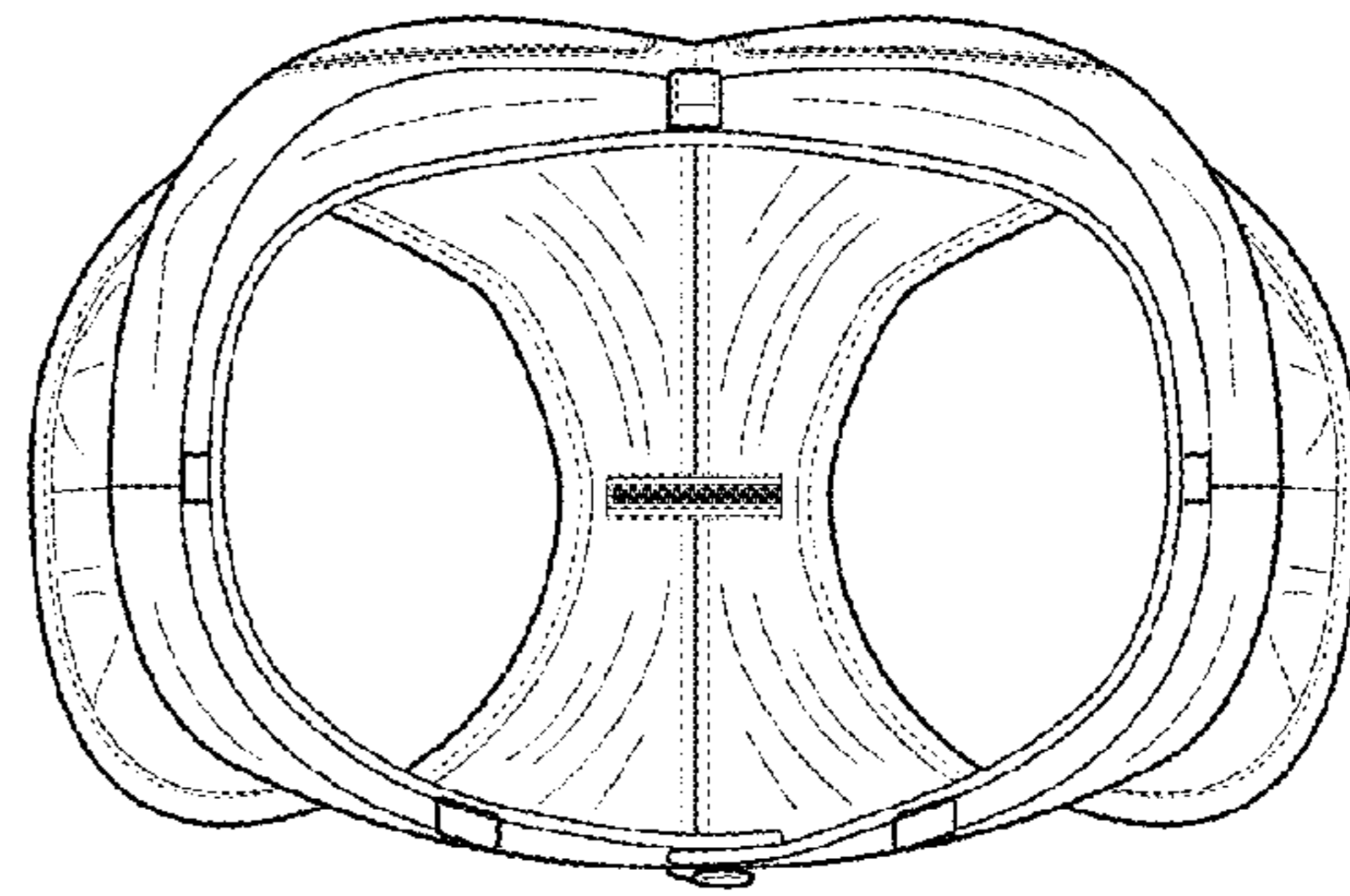


FIG. 6

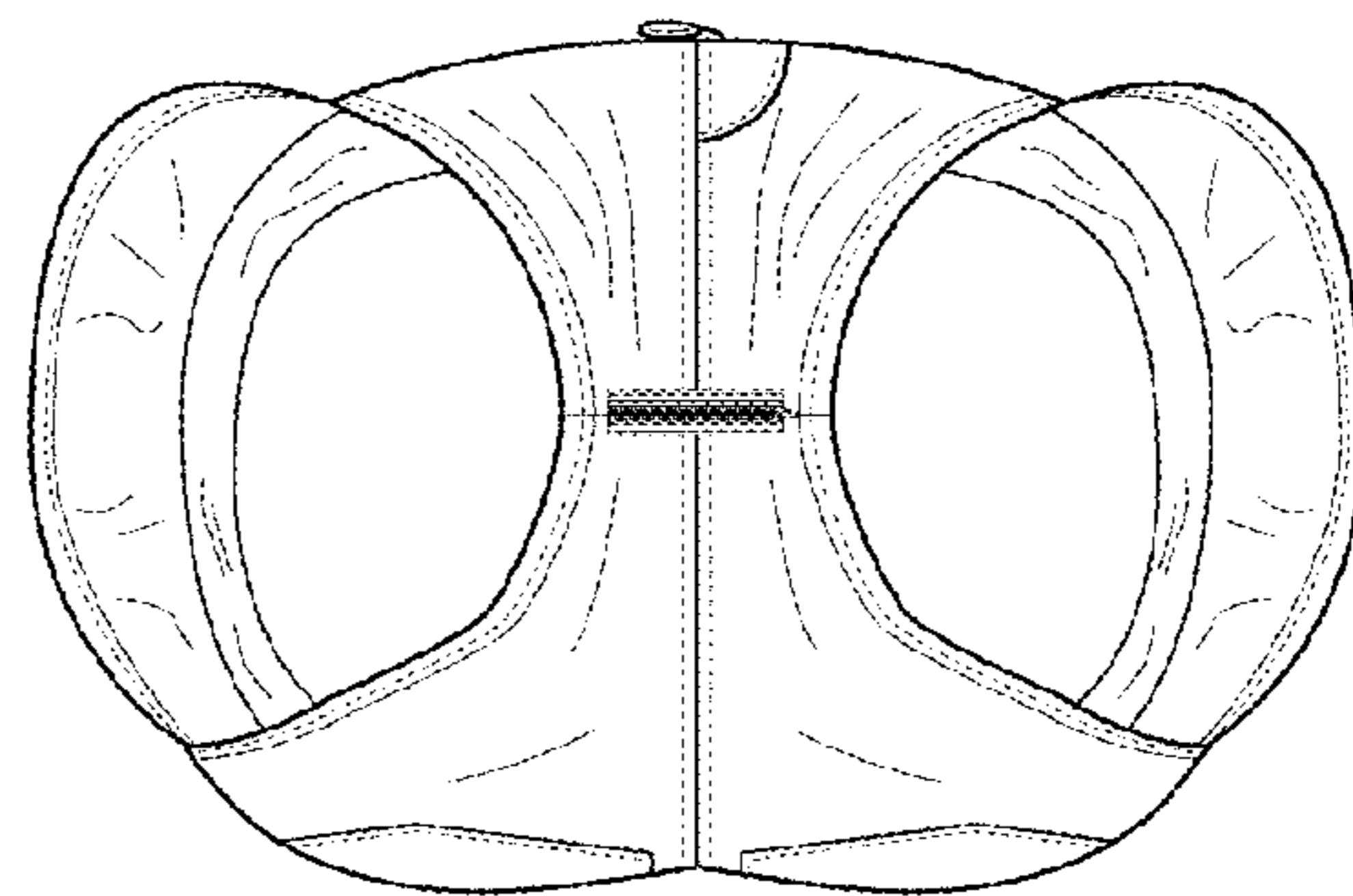


FIG. 7