



US00D680295S

(12) **United States Design Patent**  
**Pennington**

(10) **Patent No.:** **US D680,295 S**

(45) **Date of Patent:** **\*\* Apr. 16, 2013**

(54) **GLOBE GUN VAULT**

(71) Applicant: **Billy Pennington**, Little Rock, AR (US)

(72) Inventor: **Billy Pennington**, Little Rock, AR (US)

(\*\*) Term: **14 Years**

(21) Appl. No.: **29/433,155**

(22) Filed: **Sep. 26, 2012**

(51) **LOC (9) Cl.** ..... **06-04**

(52) **U.S. Cl.**  
USPC ..... **D99/28**

(58) **Field of Classification Search** ..... D99/28,  
D99/34, 35, 36, 37, 99; 109/1 V, 2, 1 R,  
109/45; 902/9, 30; 206/317, 527; 312/400,  
312/409; D22/108, 199; 42/70.11; D6/552,  
D6/559, 563, 567; 224/911, 912, 913, 931  
See application file for complete search history.

(56) **References Cited**

**U.S. PATENT DOCUMENTS**

1,196,108	A *	8/1916	Harbeck	.....	434/133
1,894,854	A *	1/1933	Denoyer	.....	434/131
2,368,347	A *	1/1945	Colberg	.....	434/131
D231,998	S *	7/1974	Holt	.....	D99/42
D281,983	S *	12/1985	Yasufuku	.....	D19/61
D302,491	S *	8/1989	Brush et al.	.....	D3/294
D338,316	S *	8/1993	Nakaue	.....	D99/28
D338,761	S *	8/1993	Hector	.....	D99/28
D345,850	S *	4/1994	Nakaue	.....	D99/28

D407,747	S *	4/1999	Liu	.....	D19/28
D416,044	S *	11/1999	Martin	.....	D19/61
D464,678	S *	10/2002	Chan	.....	D19/61
D545,902	S *	7/2007	Keith	.....	D19/61
D587,051	S *	2/2009	Vining	.....	D6/552
D587,057	S *	2/2009	Mandel	.....	D7/306
D590,097	S *	4/2009	Tam	.....	D26/104
D651,785	S *	1/2012	Martin et al.	.....	D99/28

\* cited by examiner

*Primary Examiner* — Elizabeth J Oswecki

(74) *Attorney, Agent, or Firm* — Joe D. Calhoun; Rashauna A. Norment

(57) **CLAIM**

The ornamental design for a globe gun vault, as shown and described.

**DESCRIPTION**

FIG. 1 is a right side elevation view of a globe gun vault showing my new design with the lid in an open configuration; the left side elevation view is a mirror image of the right side elevation view.

FIG. 2 is a left side elevation view of FIG. 1, with the lid in a closed configuration; the right side elevation view is a mirror image of the left side elevation view.

FIG. 3 is a rear elevation view of FIG. 1.

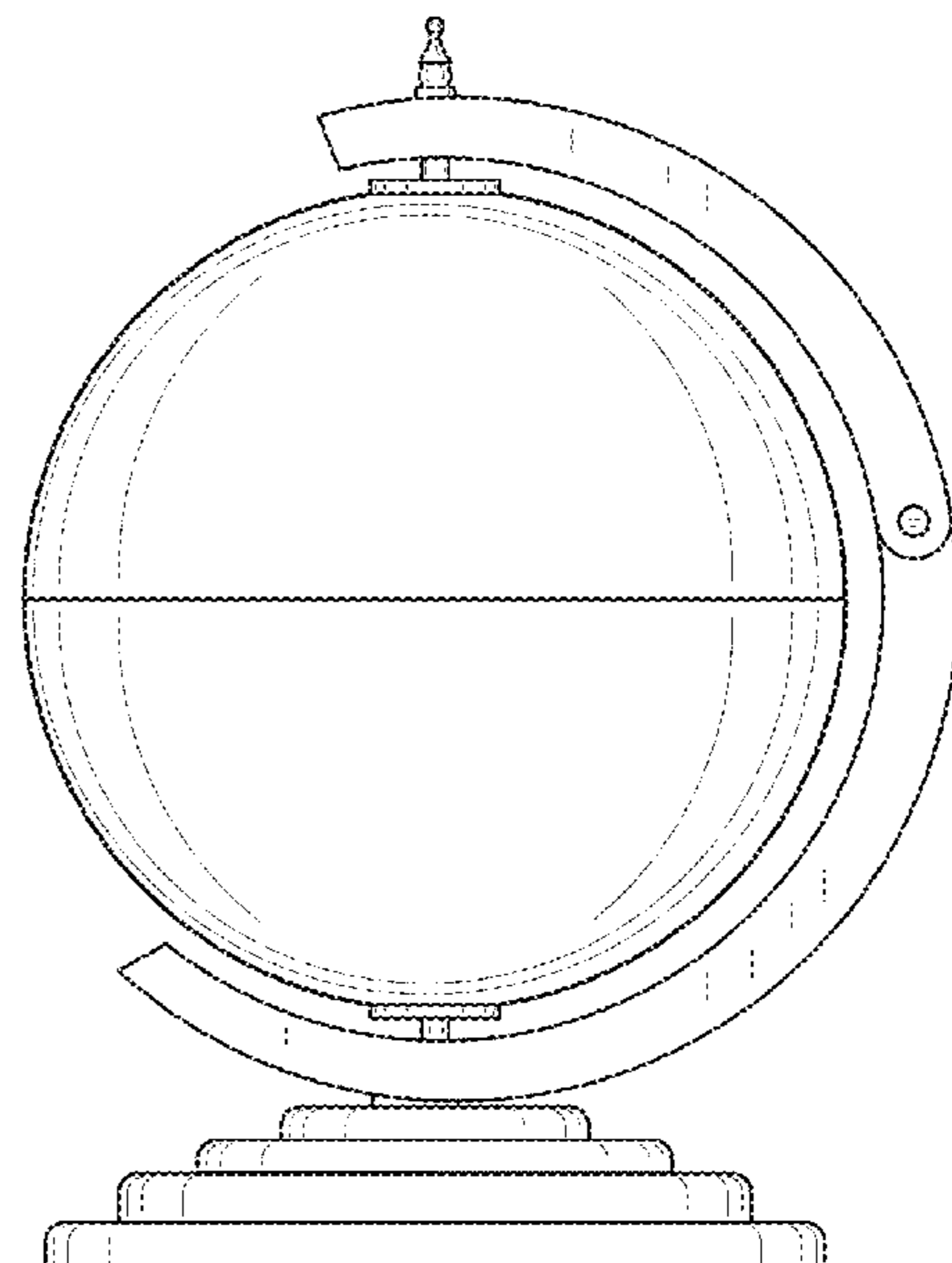
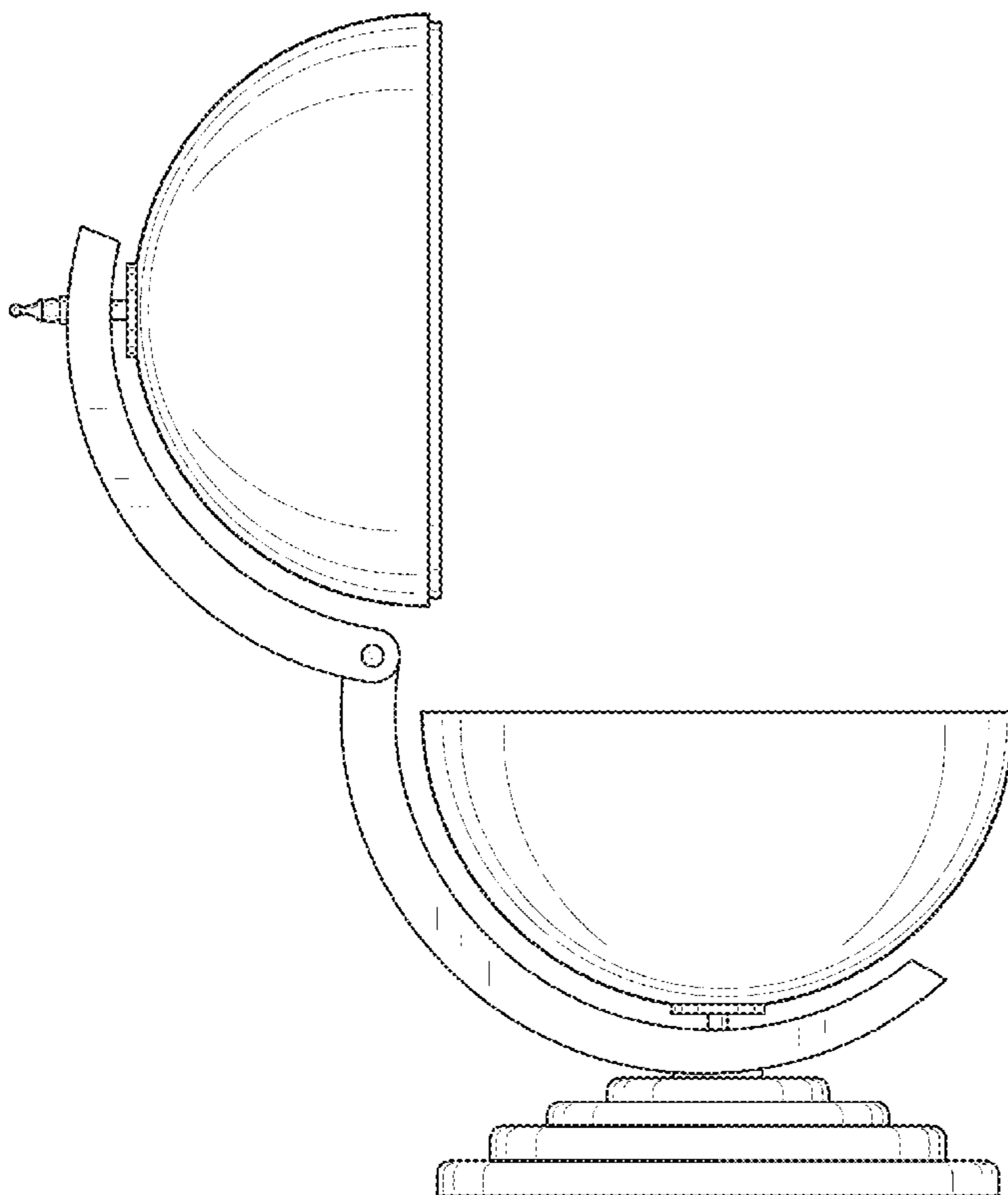
FIG. 4 is a front elevation view of FIG. 1.

FIG. 5 is a top plan view of FIG. 1.

FIG. 6 is a bottom plan view of FIG. 1; and,

FIG. 7 is a perspective view of FIG. 1.

**1 Claim, 6 Drawing Sheets**



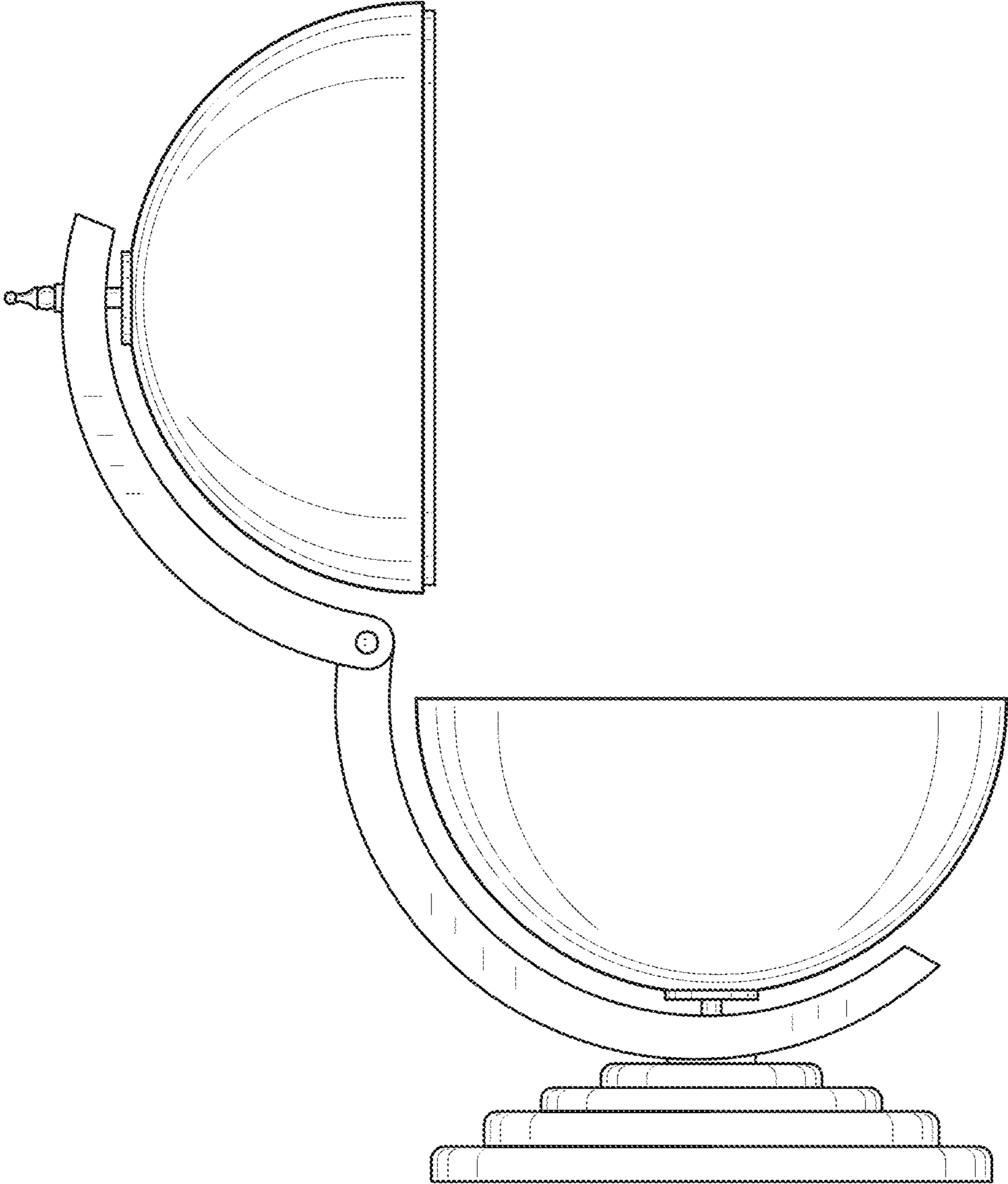


FIG. 1

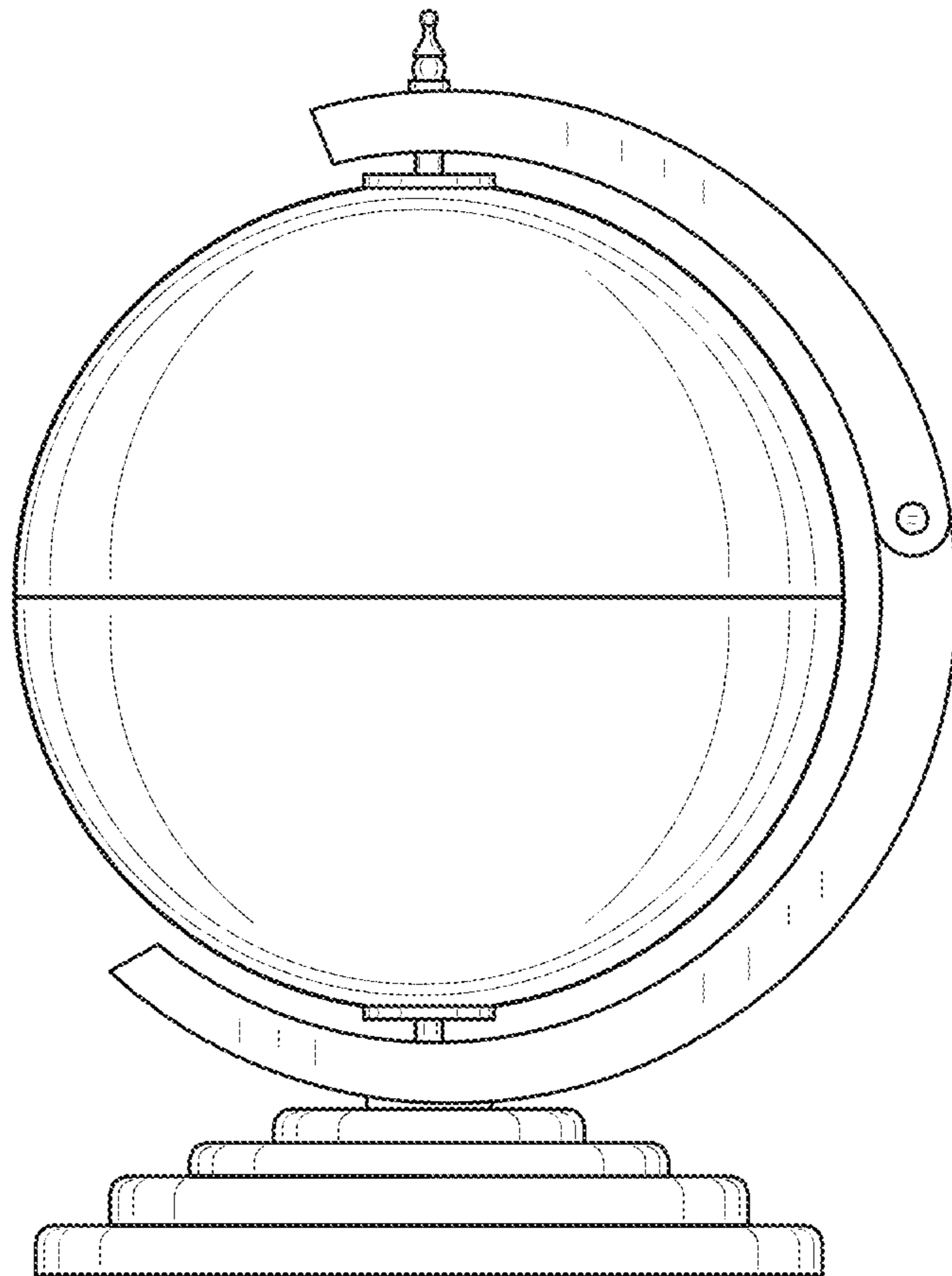


FIG. 2

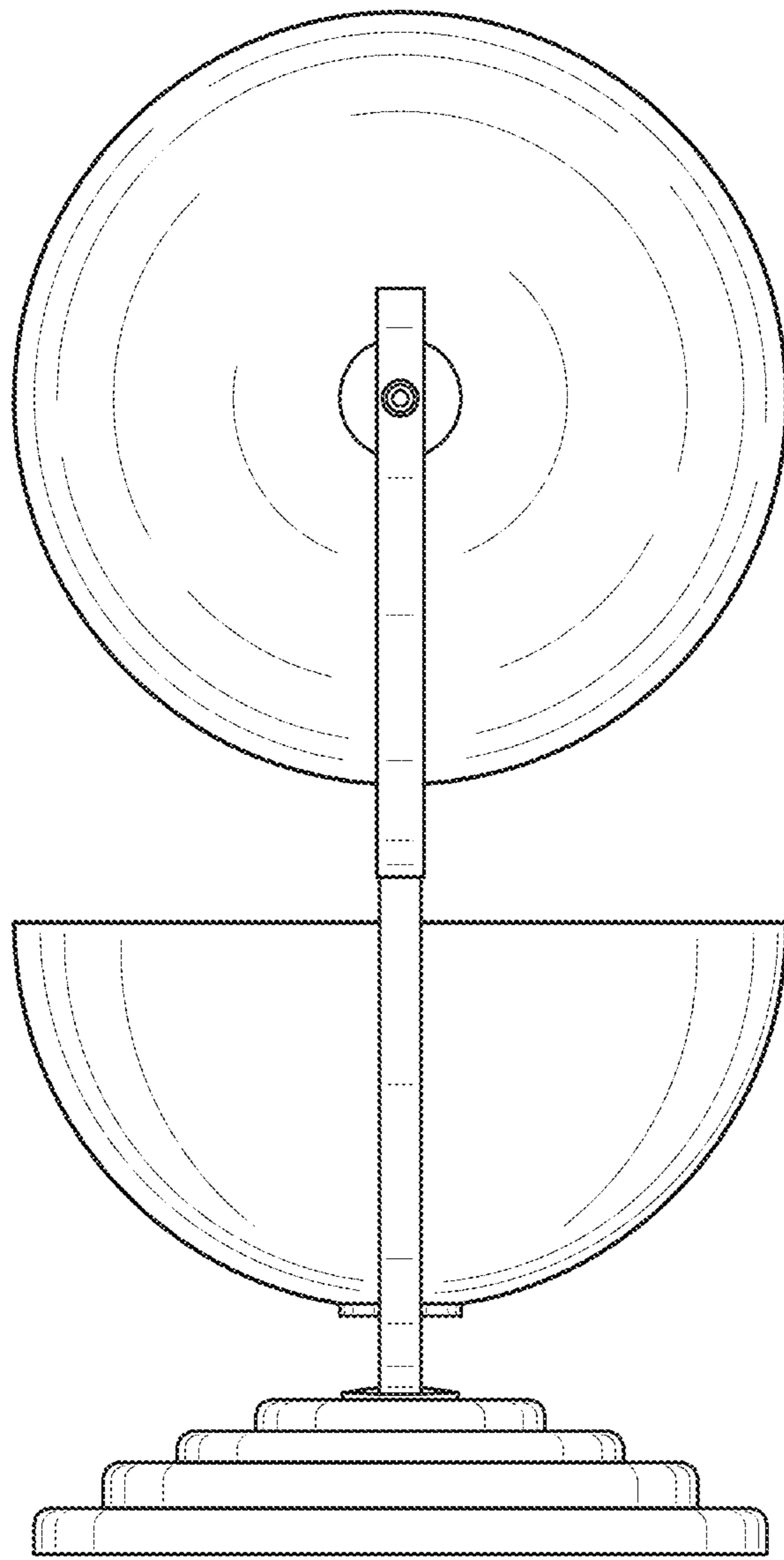


FIG. 3

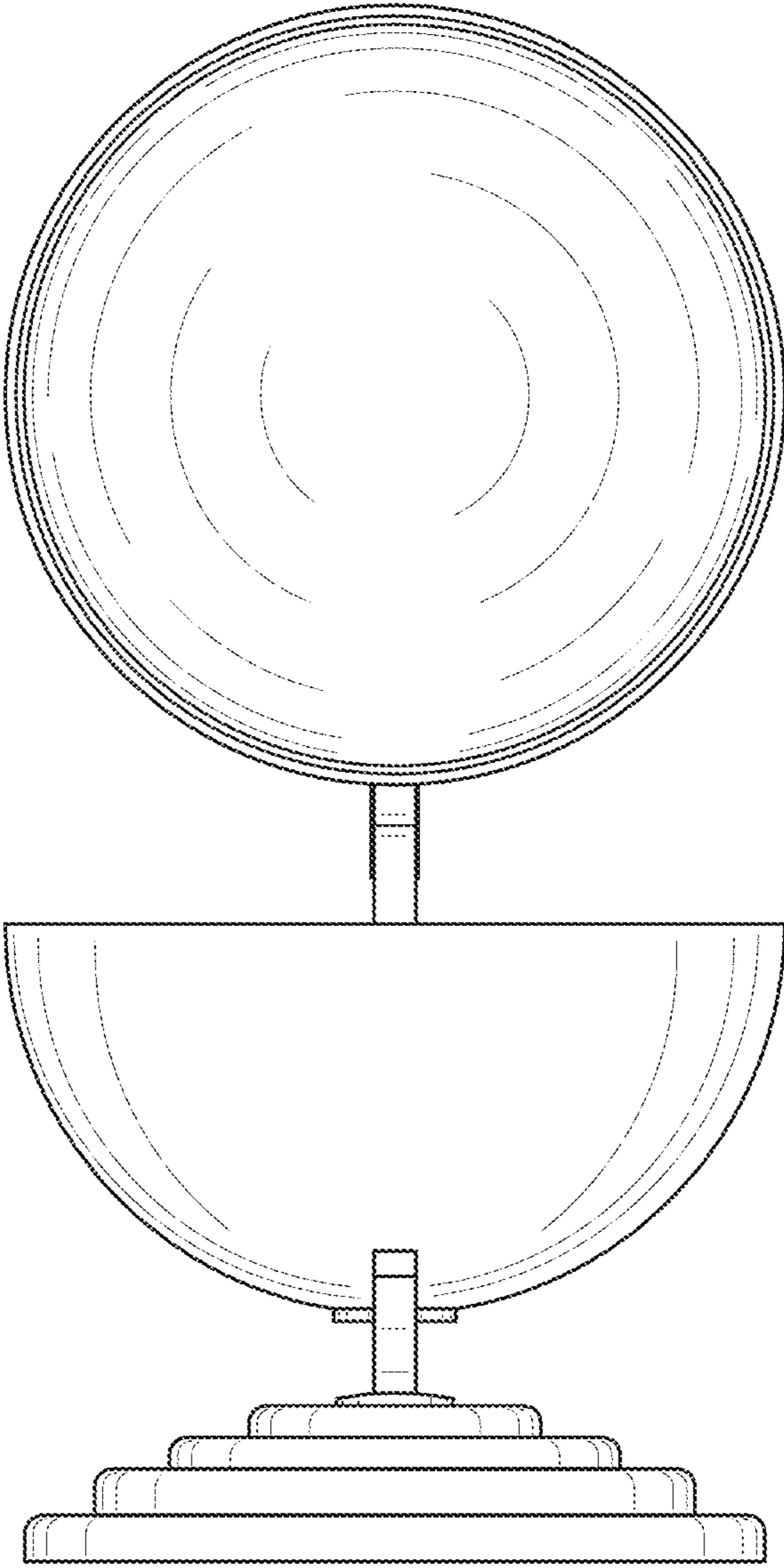


FIG. 4

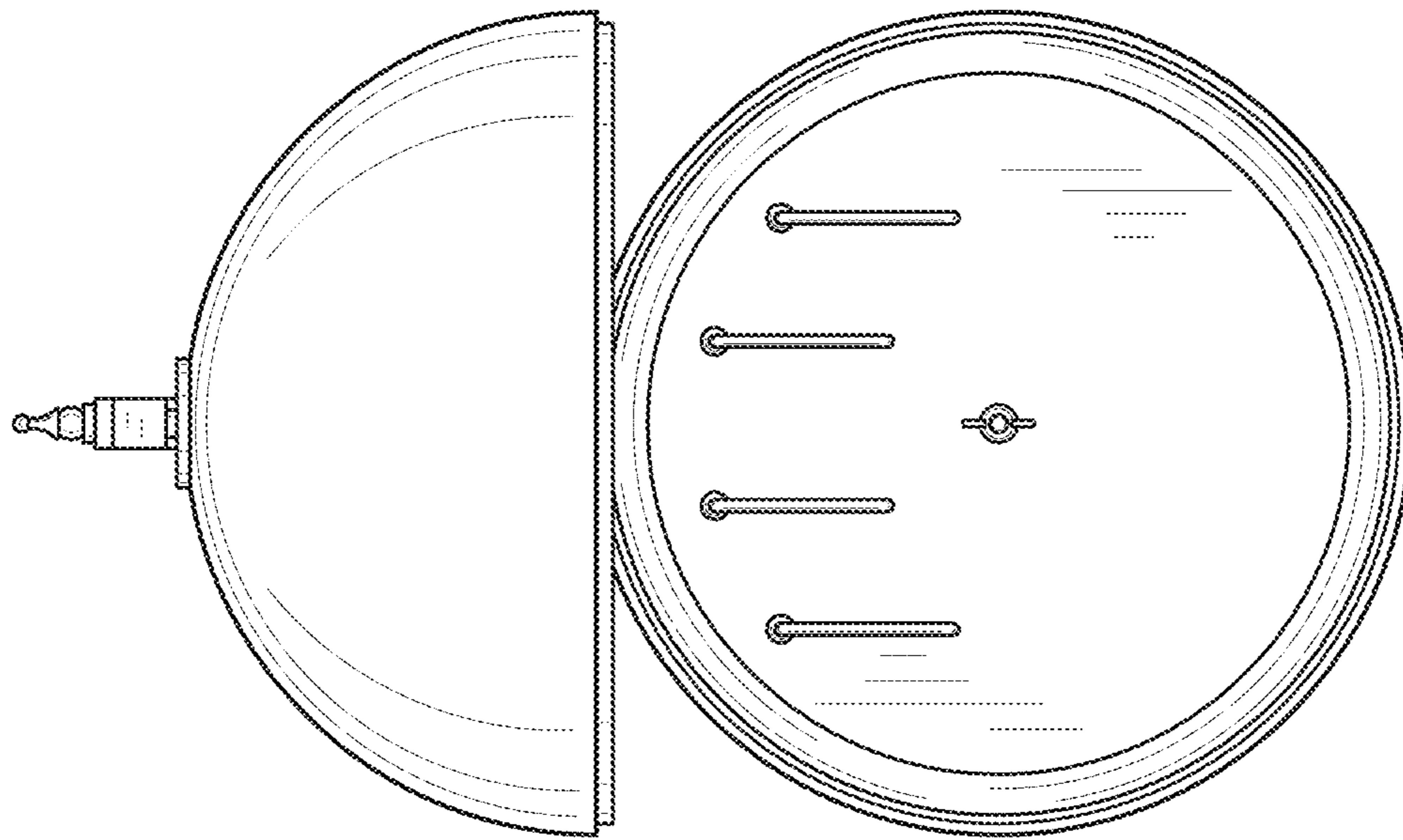


FIG. 5

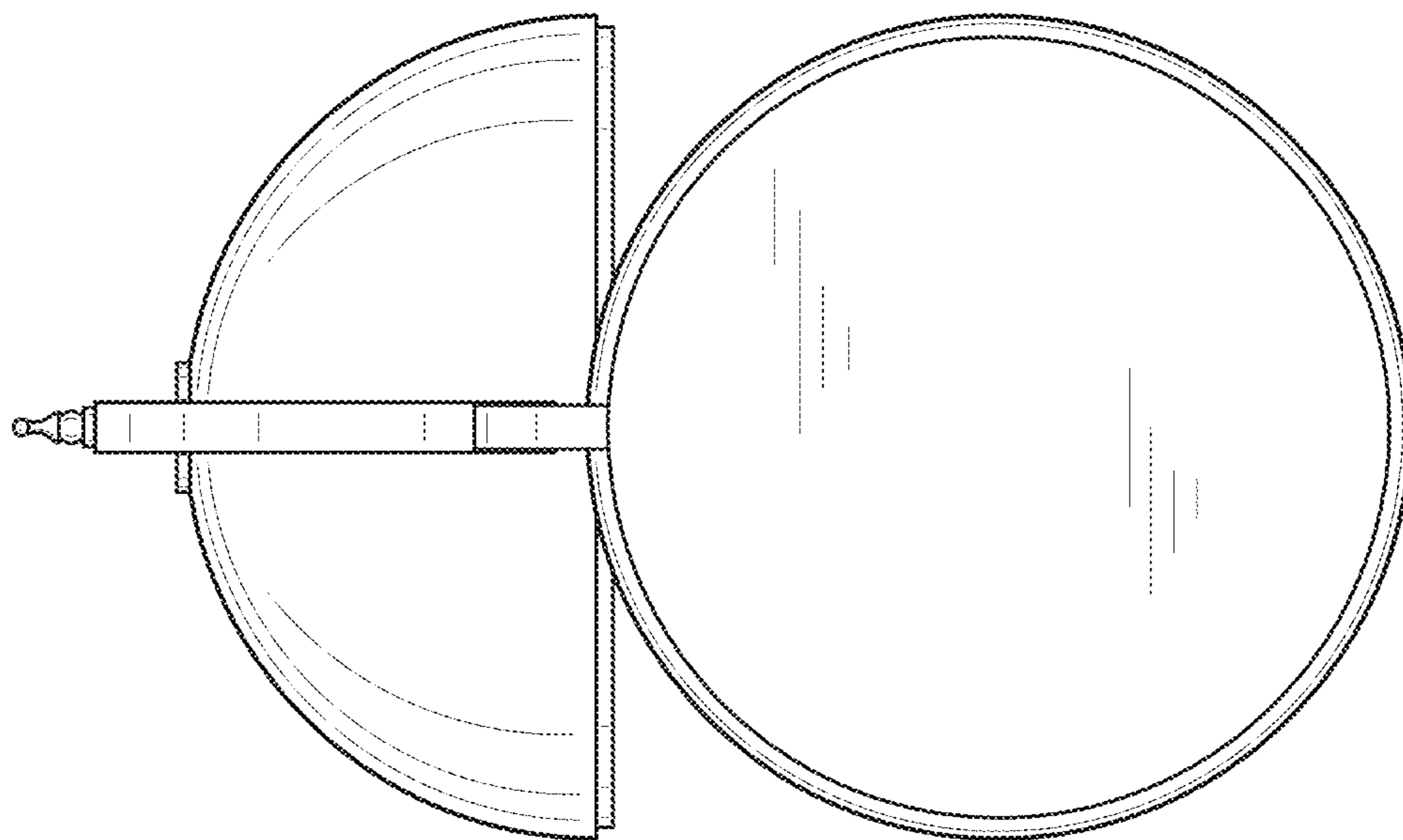


FIG. 6

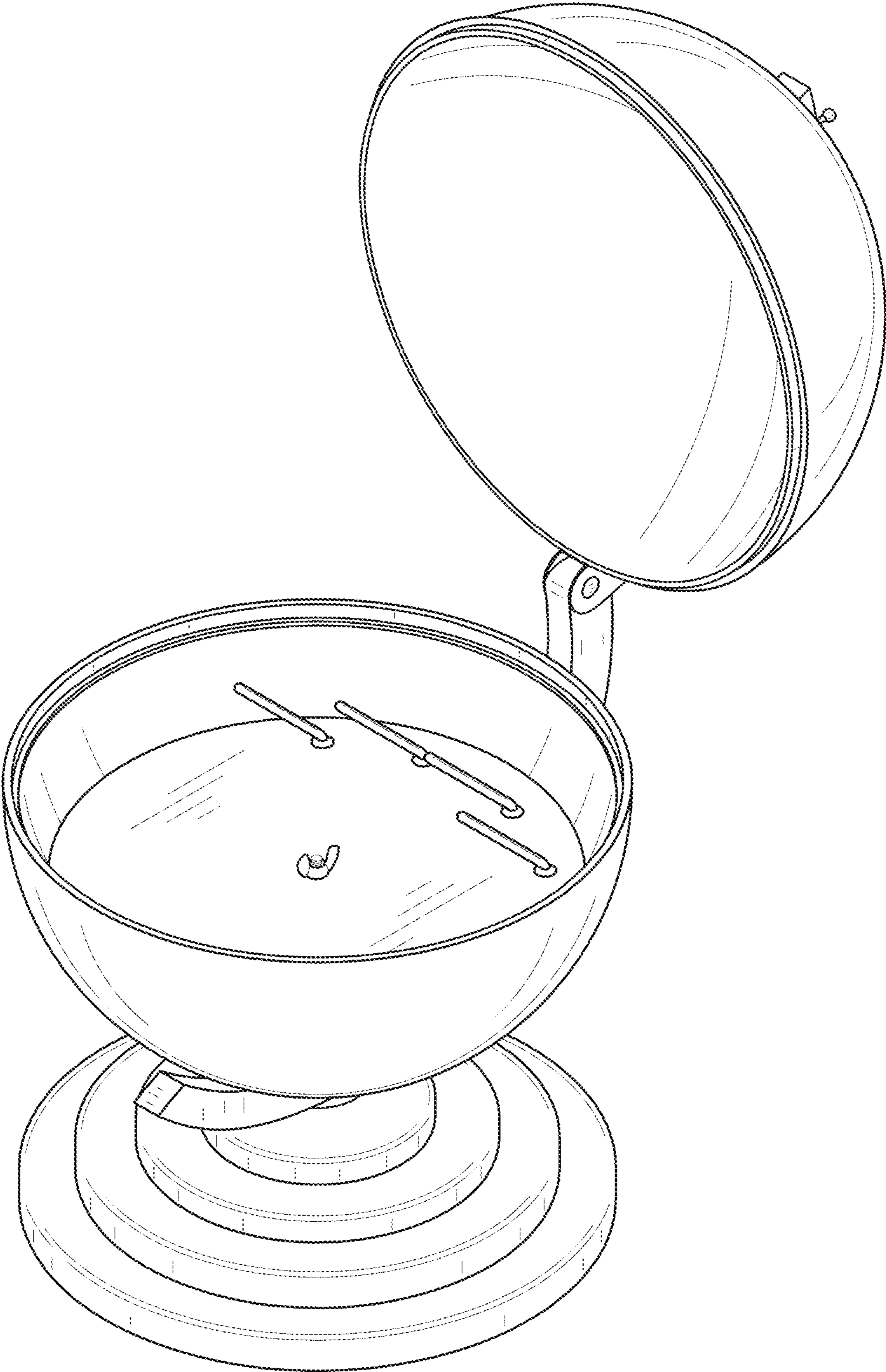


FIG. 7