



US00D680294S

(12) **United States Design Patent**
Boyer

(10) **Patent No.:** **US D680,294 S**

(45) **Date of Patent:** **** Apr. 16, 2013**

(54) **ROSARY PRAYER STAND**

(76) **Inventor:** **Carol Valeria Boyer**, West Friendship,
MD (US)

(**) **Term:** **14 Years**

(21) **Appl. No.:** **29/355,080**

(22) **Filed:** **Feb. 2, 2010**

(51) **LOC (9) Cl.** **11-01**

(52) **U.S. Cl.** **D99/26**

(58) **Field of Classification Search** D99/25,
D99/26, 27, 99; D11/121, 122, 123, 131,
D11/157; D18/9, 10; D19/59, 62, 64; 428/3,
428/7-9, 11, 12; 434/245, 246; 63/3, 3.1,
63/3.2, 15, 1.11, 4, 11; D21/398, 468, 471,
D21/476

See application file for complete search history.

(56) **References Cited**

U.S. PATENT DOCUMENTS

232,482	A *	9/1880	Fitch	434/203
465,811	A *	12/1891	Anderson	434/203
604,963	A *	5/1898	Breidl	434/203
826,732	A *	7/1906	Monachimoff	434/203
1,099,009	A *	6/1914	Bennett	434/203
D55,382	S *	6/1920	Cummings et al.	D99/26
D64,259	S *	3/1924	Don Dero	D11/2
D134,793	S	1/1943	Brennan	
D153,377	S *	4/1949	Charles	D99/26
2,653,395	A *	9/1953	Cummings et al.	434/246
2,655,737	A *	10/1953	Don Dero	434/203
2,714,269	A *	8/1955	Charles	59/80
D179,321	S	11/1956	Sacksteder	
2,827,161	A *	3/1958	Rosa	206/19
D184,454	S *	2/1959	Oppido	D11/160
D194,975	S *	4/1963	Bren	D20/18
3,151,404	A *	10/1964	Schott	434/191
3,319,599	A *	5/1967	Kussman	116/309
D211,539	S *	6/1968	Lademann	D99/26
D217,095	S *	4/1970	Taylor	D99/26
D227,585	S	7/1973	Welbourn	
D266,369	S	9/1982	Corigliano	
D324,698	S *	3/1992	Bruns	D19/25
D409,112	S *	5/1999	Tosti et al.	D11/133
D423,180	S *	4/2000	Matthews-Saunders	D99/26
D459,567	S	6/2002	Salamon	

D507,689	S	7/2005	Schmitt	
D513,762	S *	1/2006	Young	D18/6
D529,551	S *	10/2006	Rule	D19/62
D534,960	S *	1/2007	Rule	D19/62
D558,271	S *	12/2007	Rule	D19/62
D587,756	S *	3/2009	Rule	D19/62

FOREIGN PATENT DOCUMENTS

JP	2004089550	A *	3/2004
JP	2005211636	A *	8/2005

OTHER PUBLICATIONS

Wooden Abacus, Item #8WWABACUS2, <http://www.shopping.com/n-a-wooden-abacus/info>, by Discount School Supply, 2011.*

* cited by examiner

Primary Examiner — Elizabeth J Oswecki
(74) *Attorney, Agent, or Firm* — Capitol City TechLaw

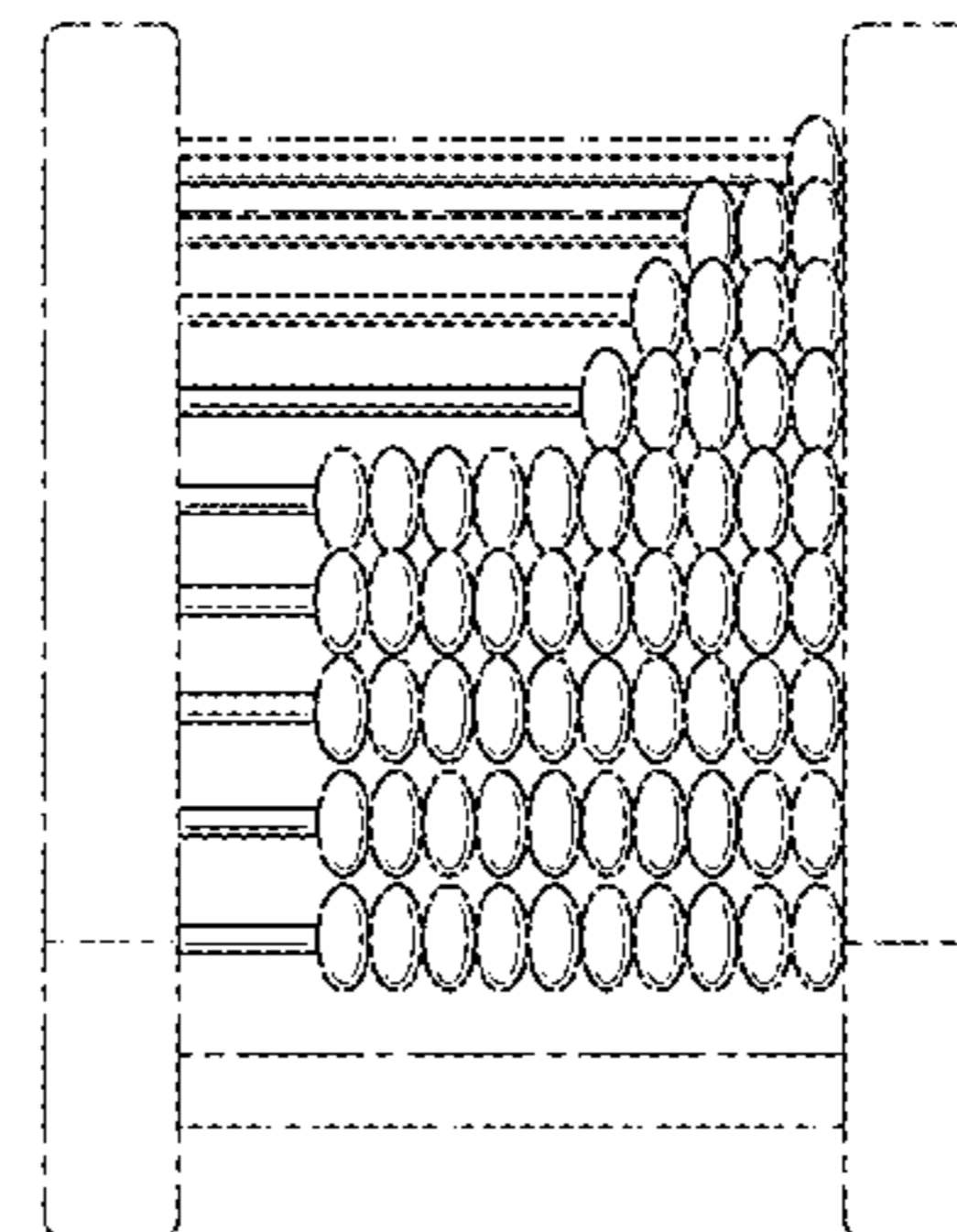
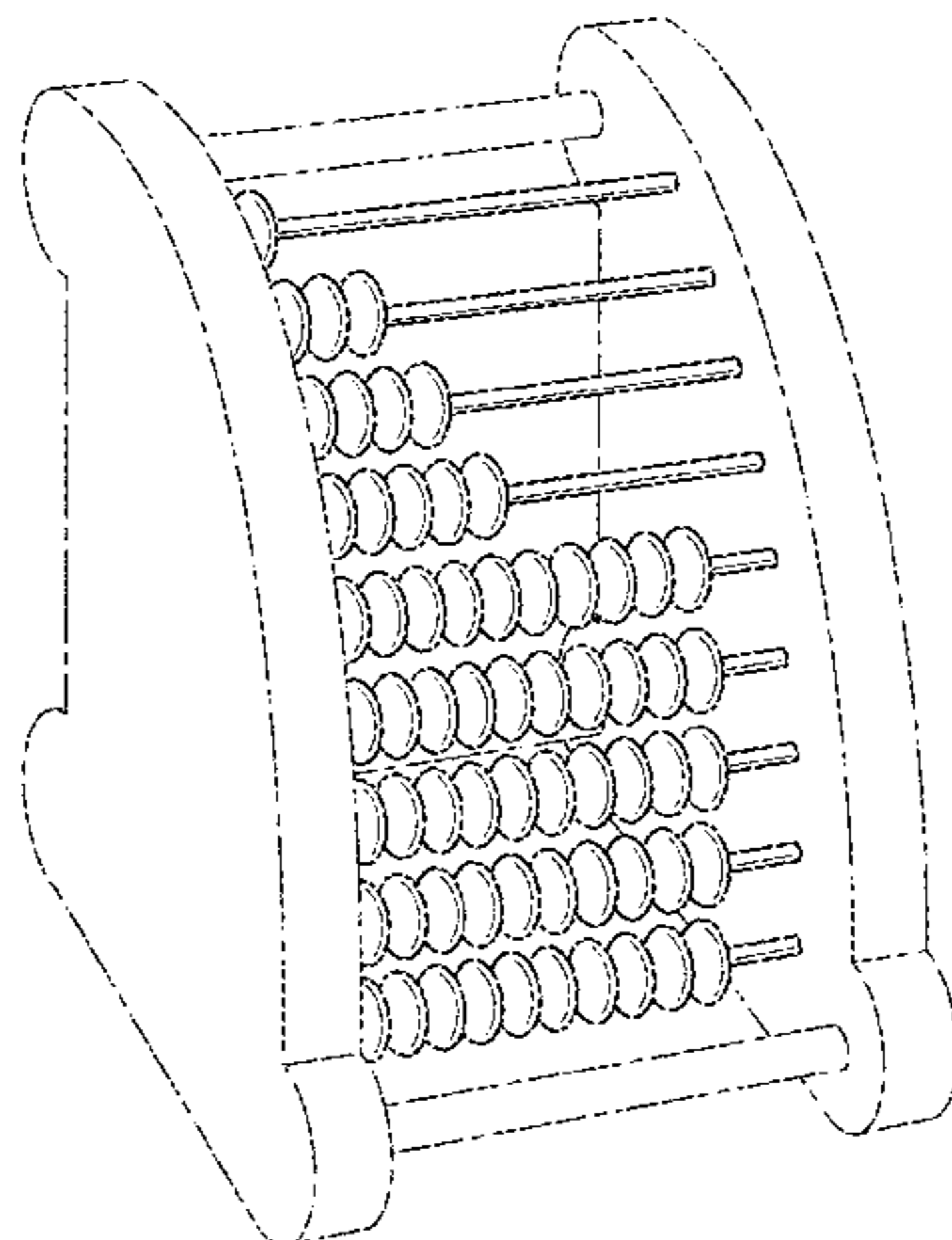
(57) **CLAIM**

The ornamental design for a rosary prayer stand, as shown and described.

DESCRIPTION

FIG. 1 is a front, top, and left side perspective view of a first embodiment of a rosary prayer stand showing my new design; FIG. 2 is a front elevational view thereof; FIG. 3 is a rear elevational view thereof; FIG. 4 is a top plan view thereof; FIG. 5 is a bottom plan view thereof; FIG. 6 is a left side elevational view thereof; FIG. 7 is a right side elevational view thereof; FIG. 8 is a front elevational view with beads pushed to the right thereof shown in an alternate position; FIG. 9 is a front, top, and left side perspective view of a second embodiment of a rosary prayer stand showing my new design; FIG. 10 is a front elevational view thereof; FIG. 11 is a rear elevational view thereof; FIG. 12 is a top plan view thereof; FIG. 13 is a bottom plan view thereof; FIG. 14 is a left side elevational view thereof; FIG. 15 is a right side elevational view thereof; and, FIG. 16 is a front elevational view with beads pushed to the right thereof shown in an alternate position. In the drawings, the broken lines in FIGS. 1-16 depict portions of the design that form no part of the claim.

1 Claim, 9 Drawing Sheets



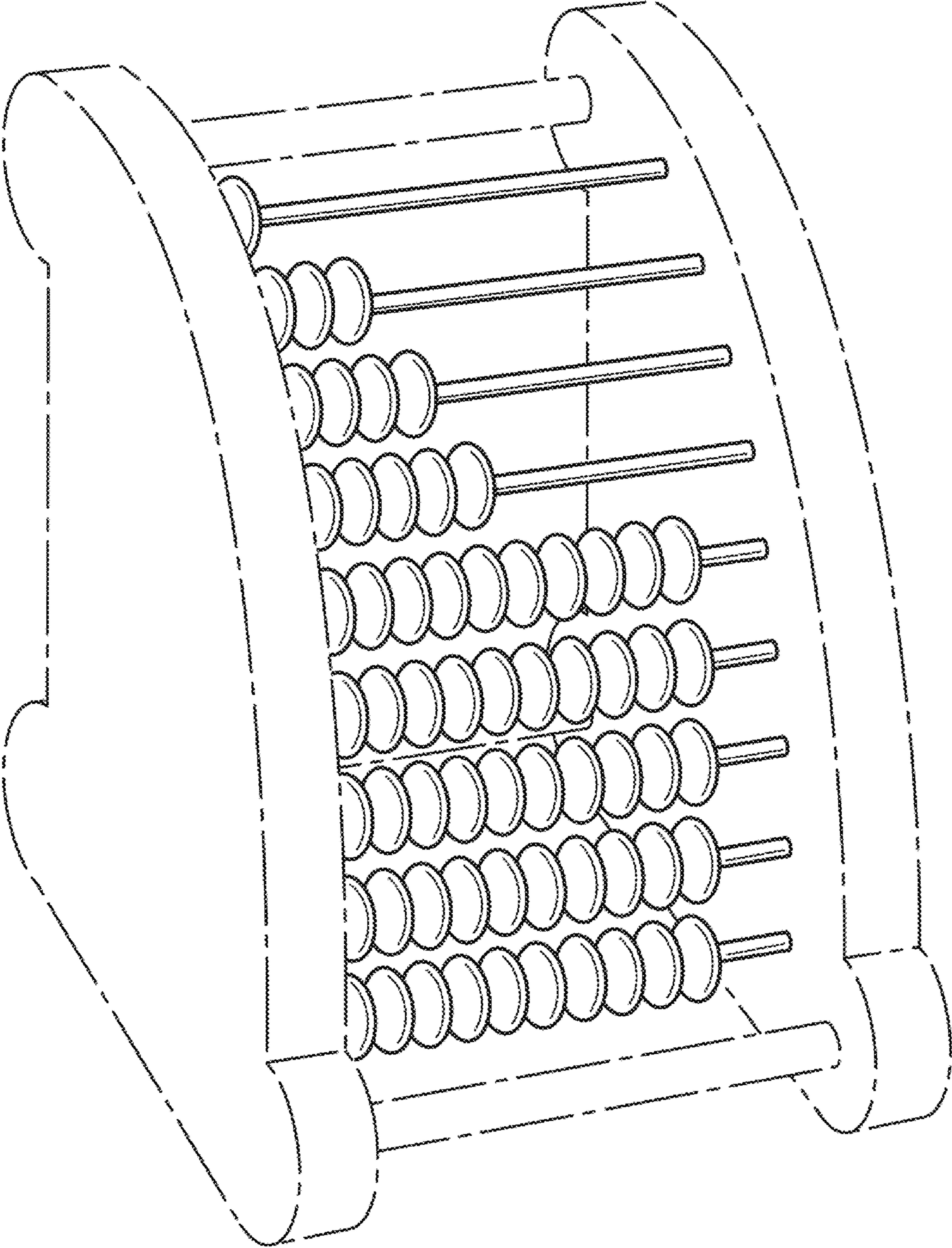


Fig. 1

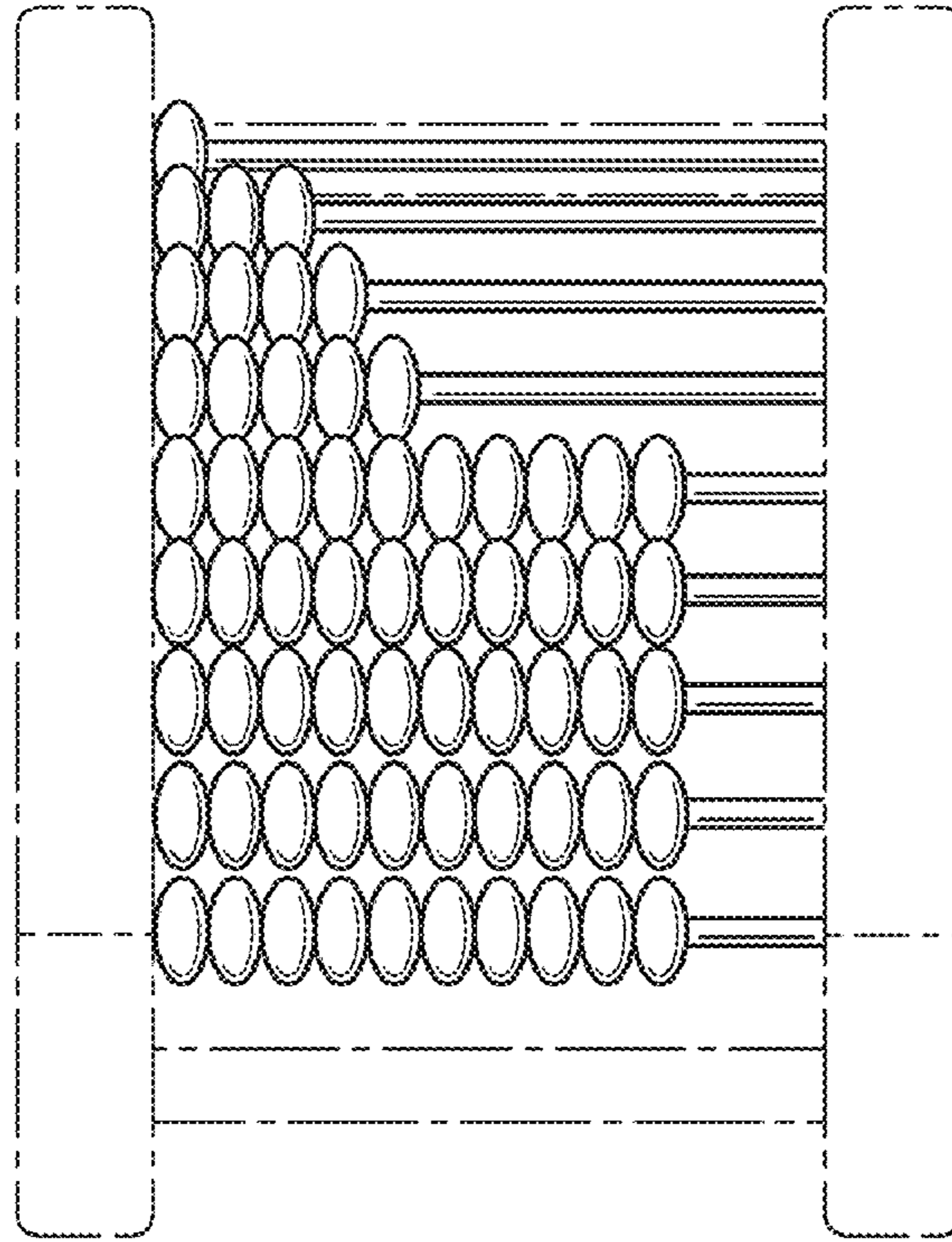


Fig. 2

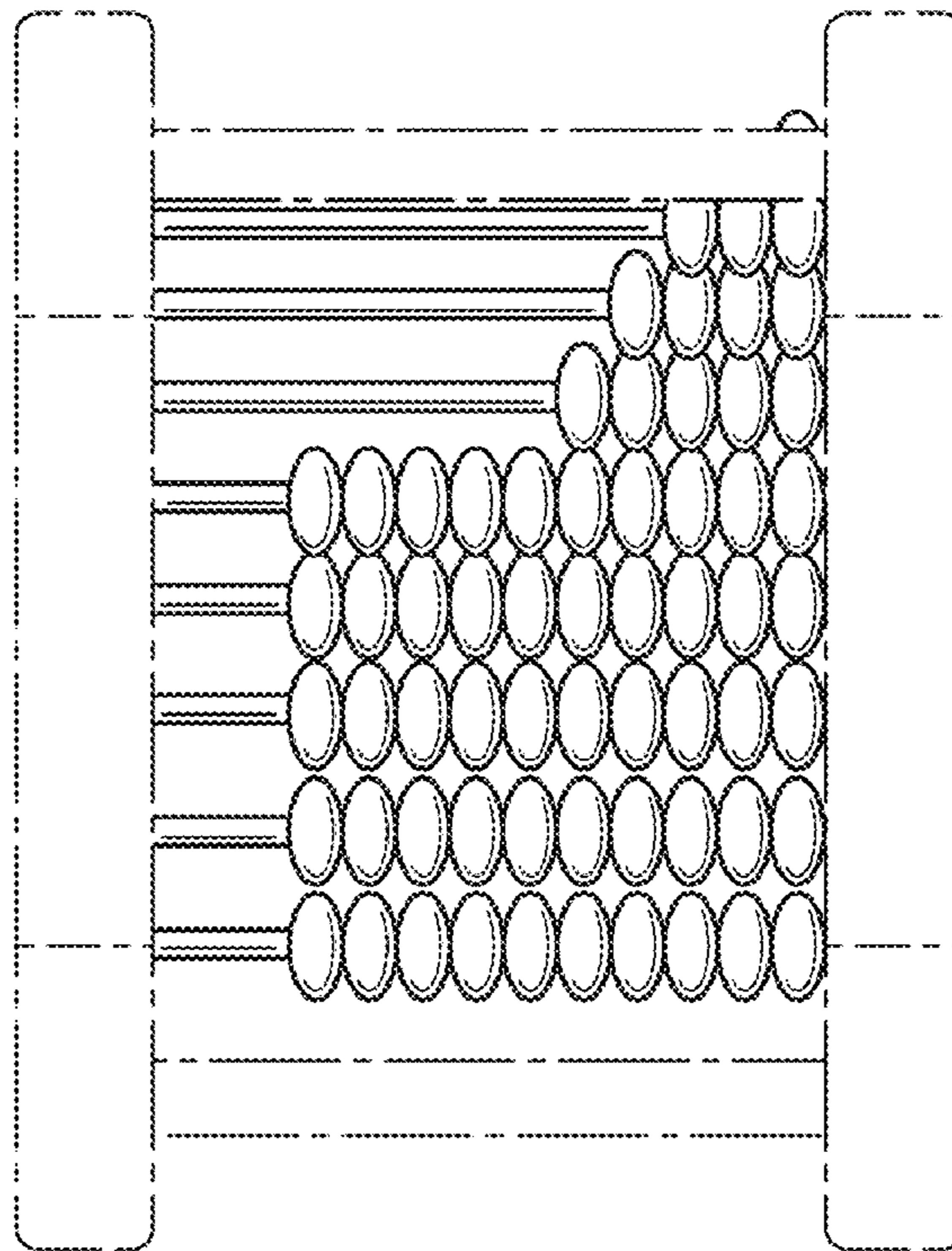


Fig. 3

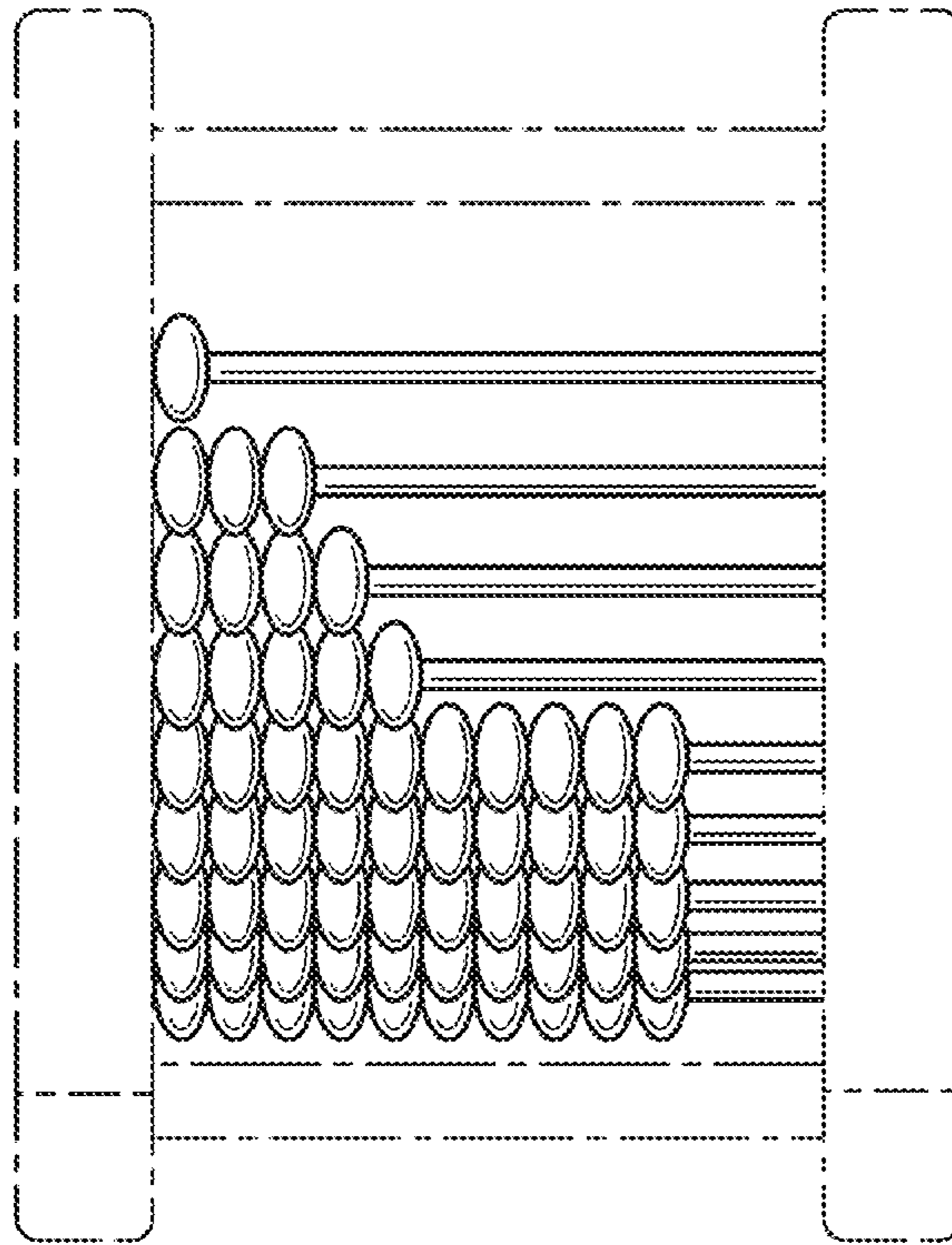


Fig. 4

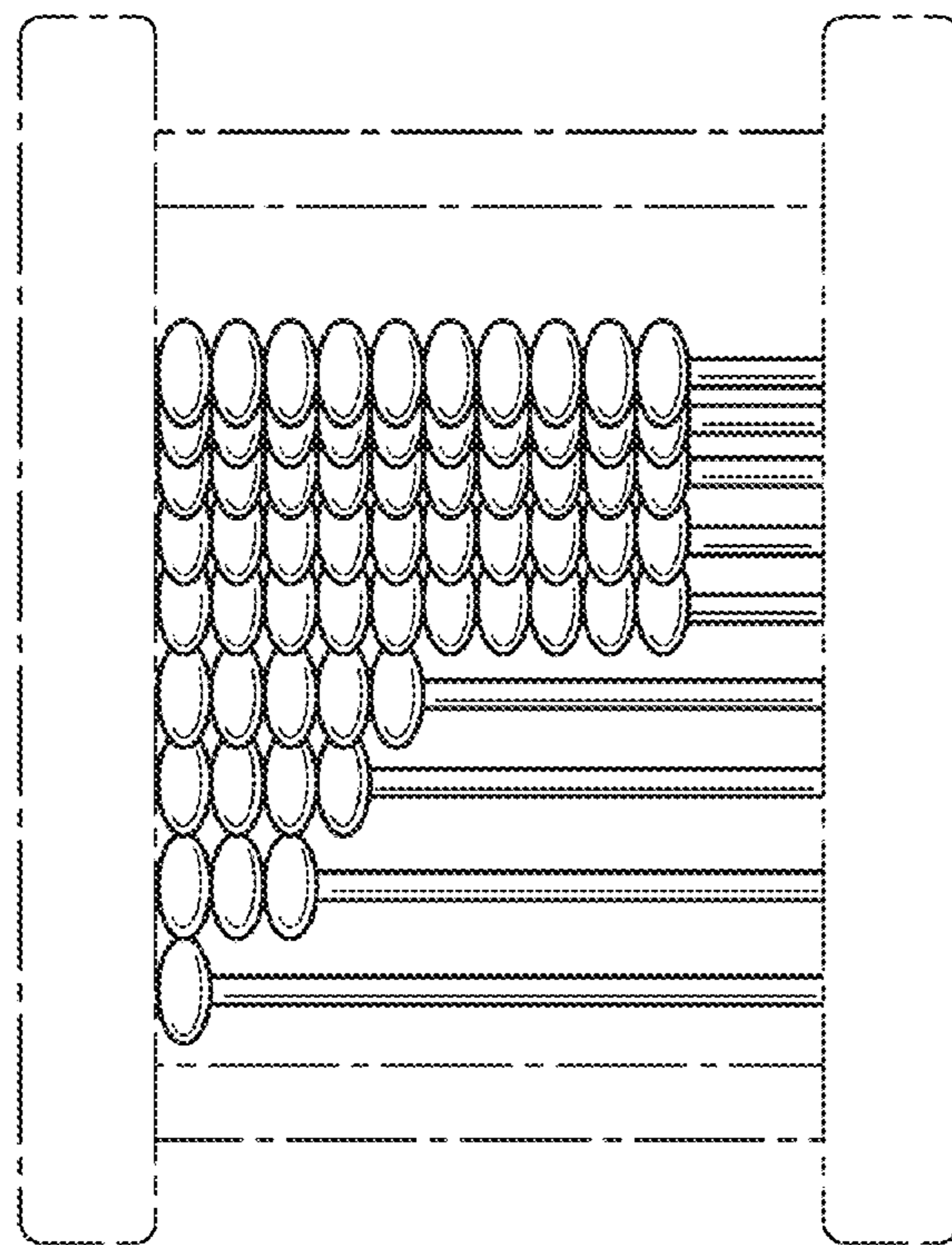


Fig. 5

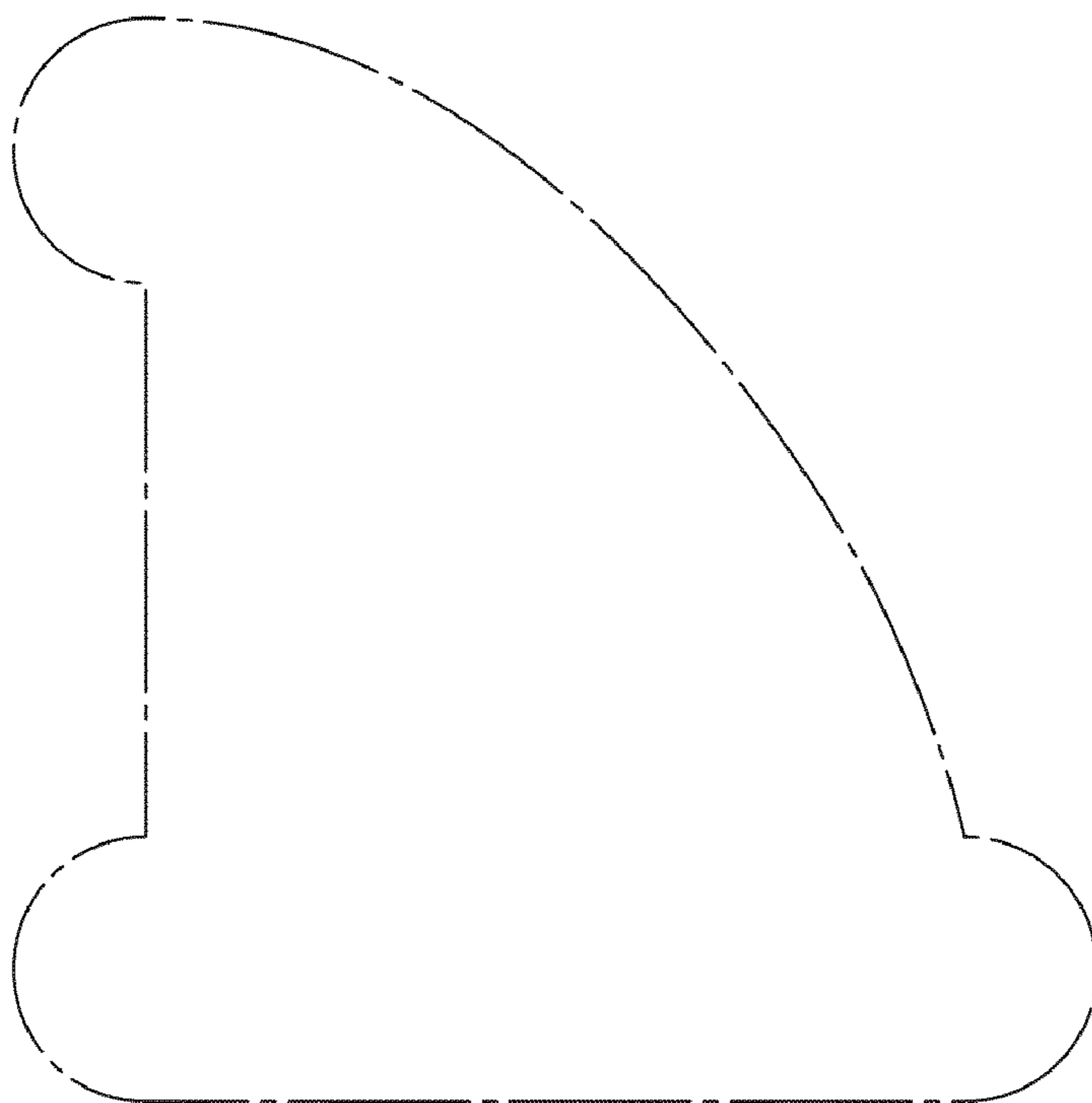


Fig. 6

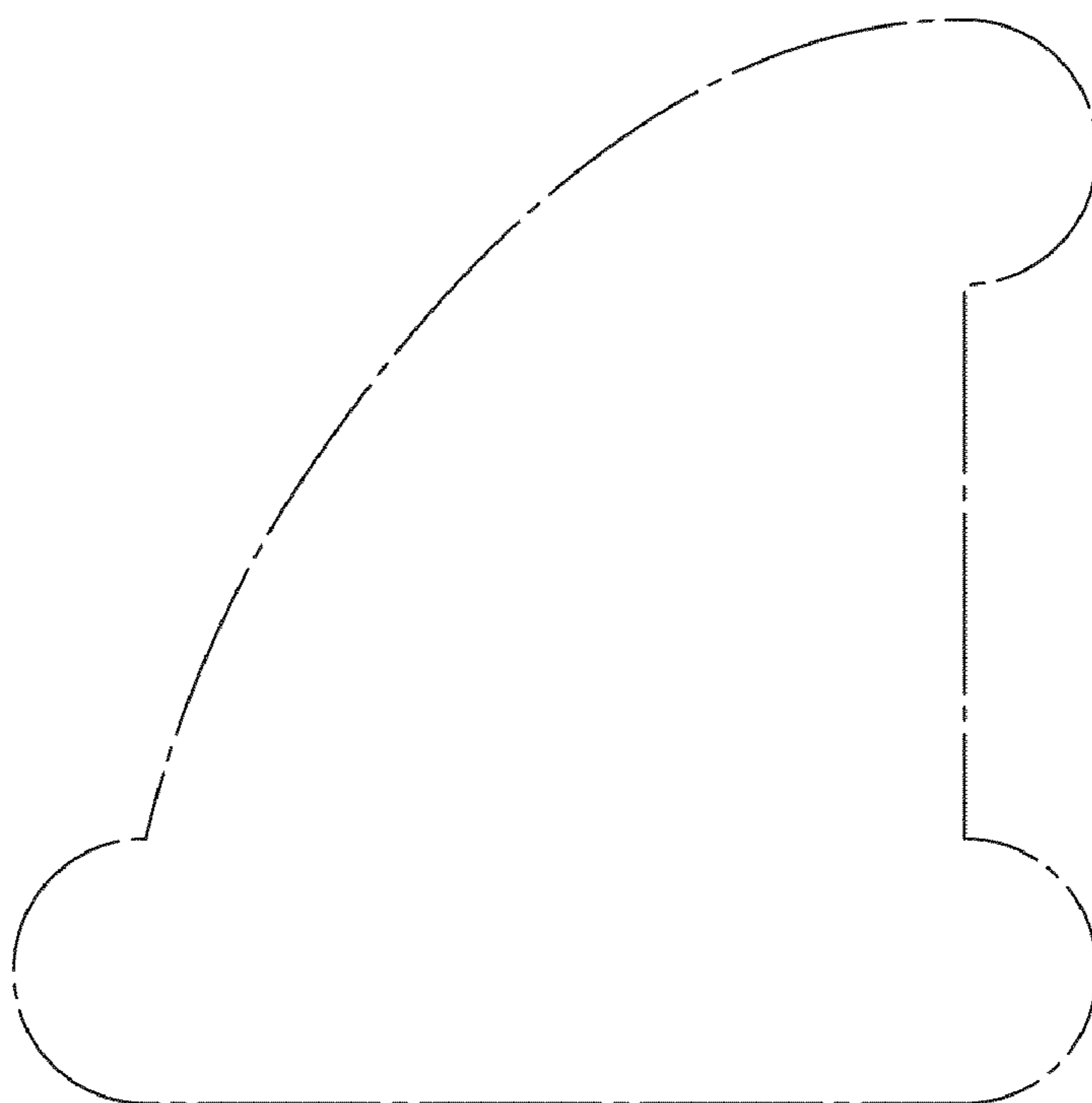


Fig. 7

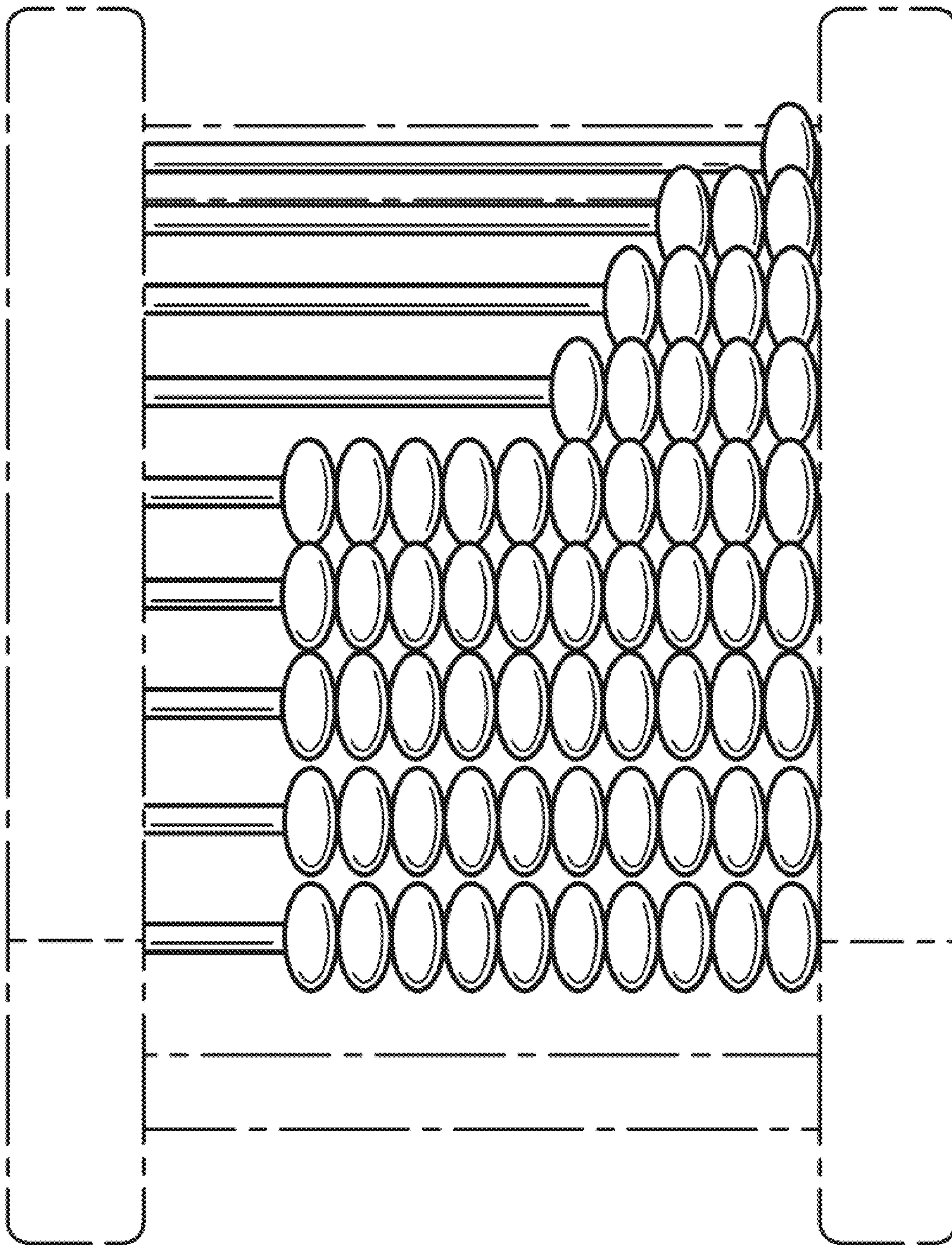


Fig. 8

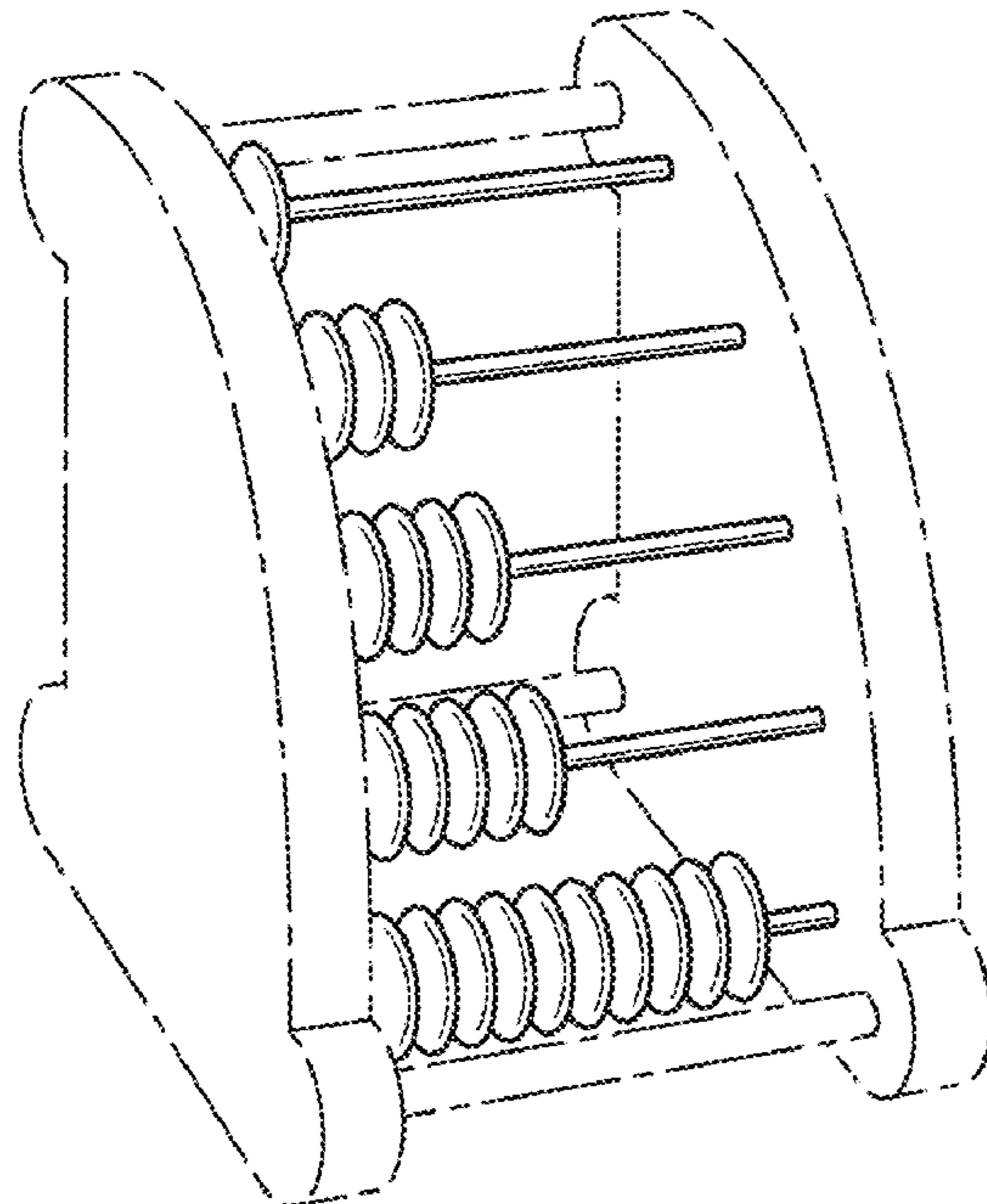


Fig. 9

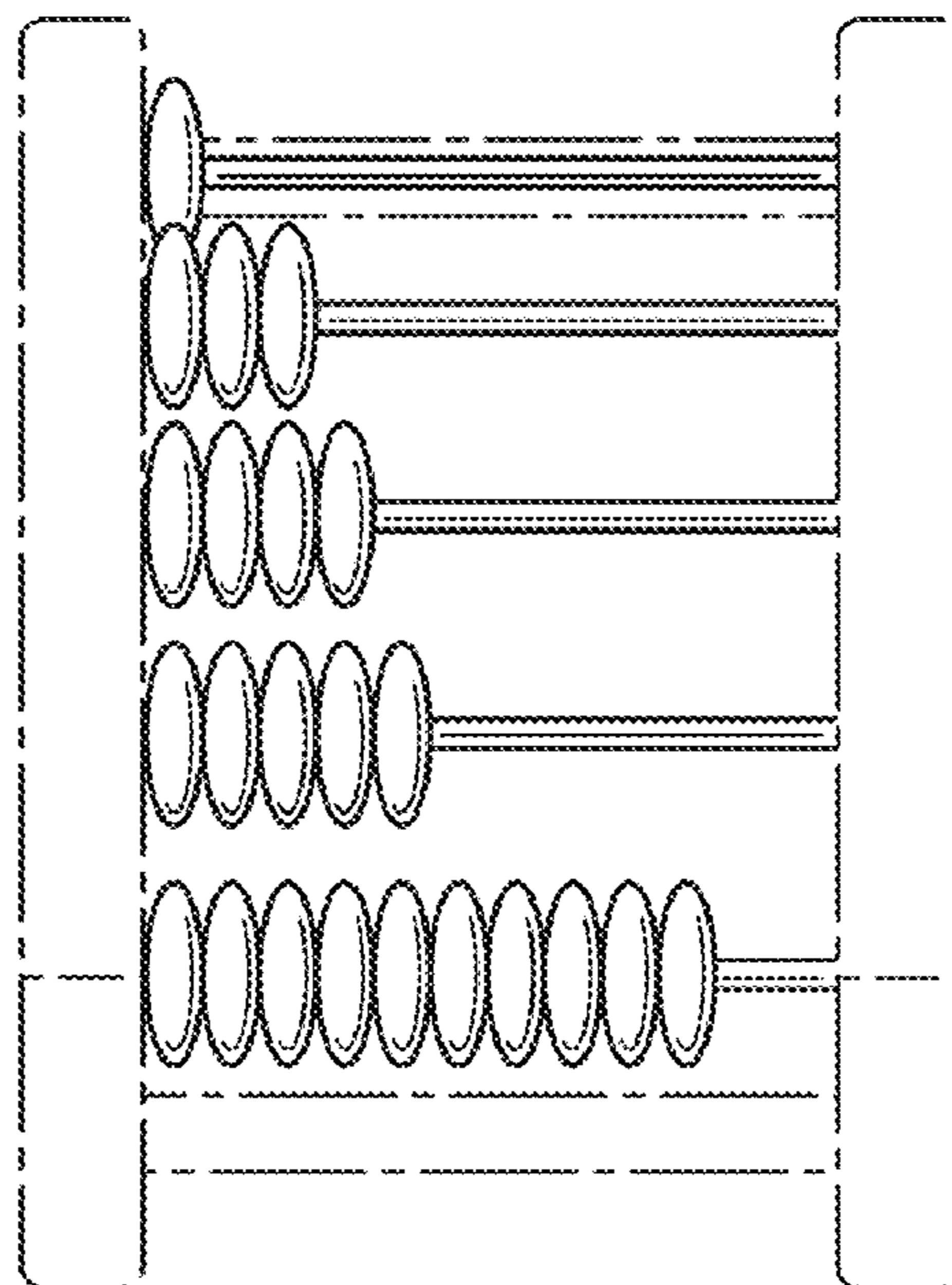


Fig. 10

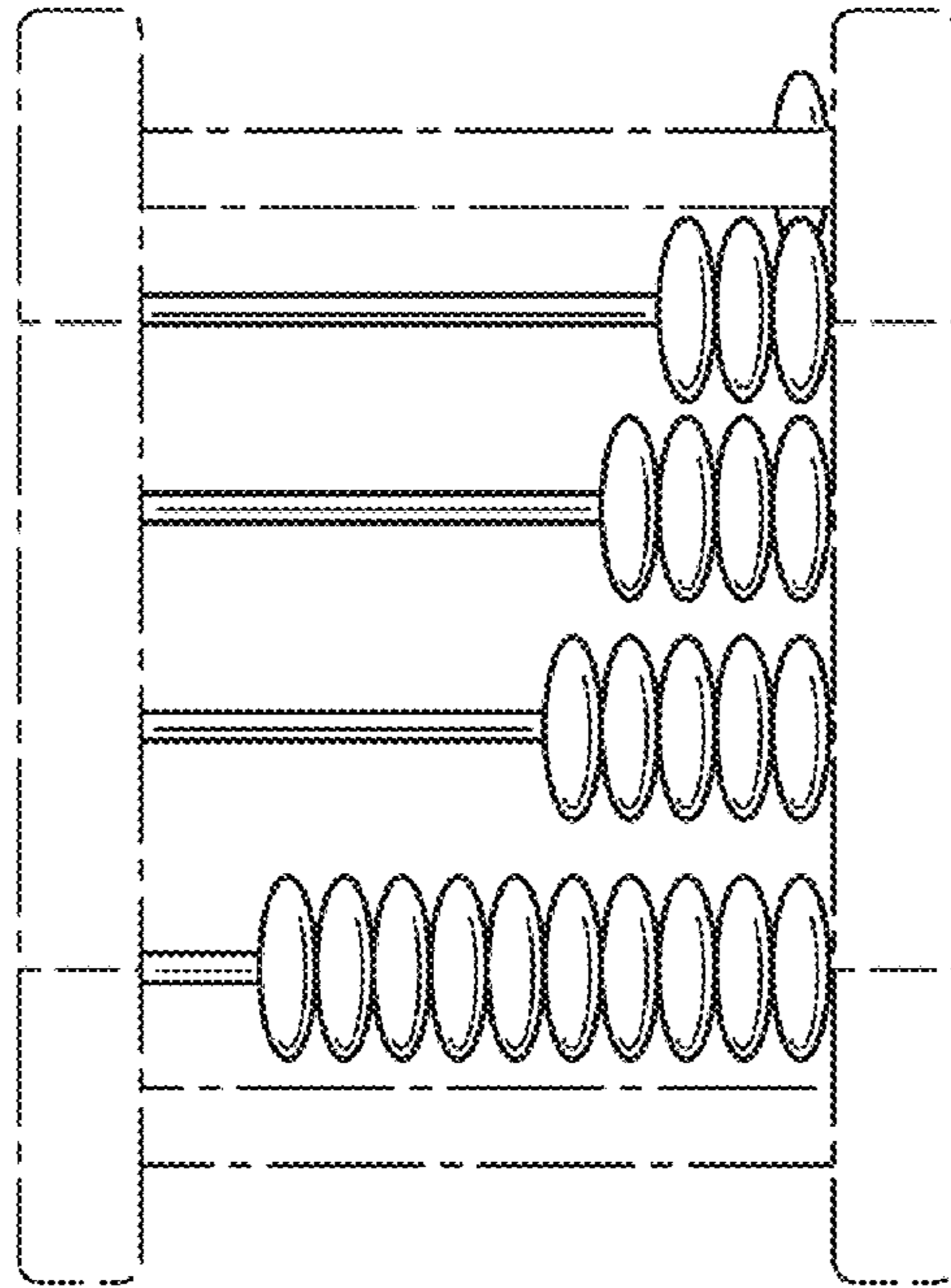


Fig. 11

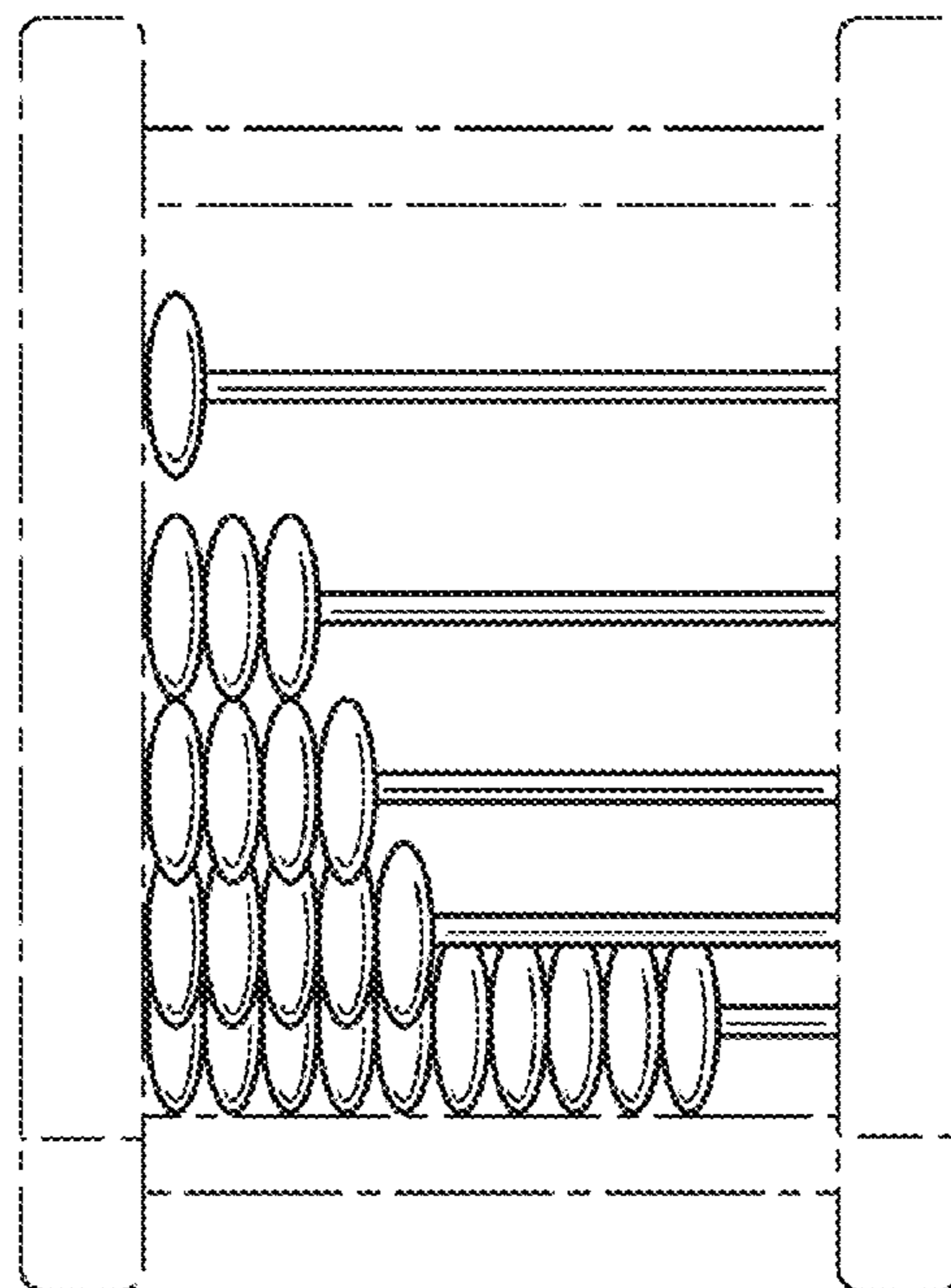


Fig. 12

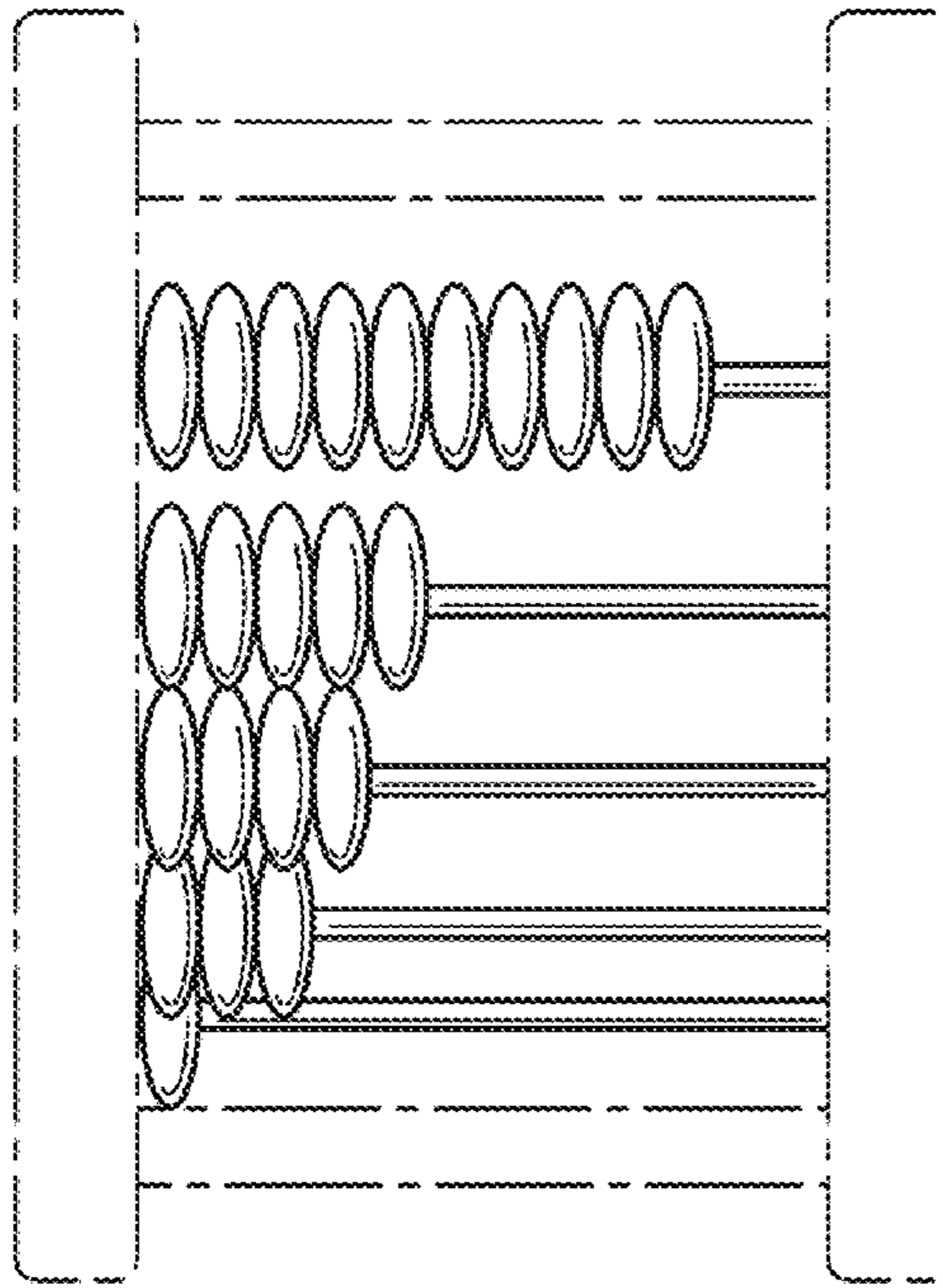


Fig. 13

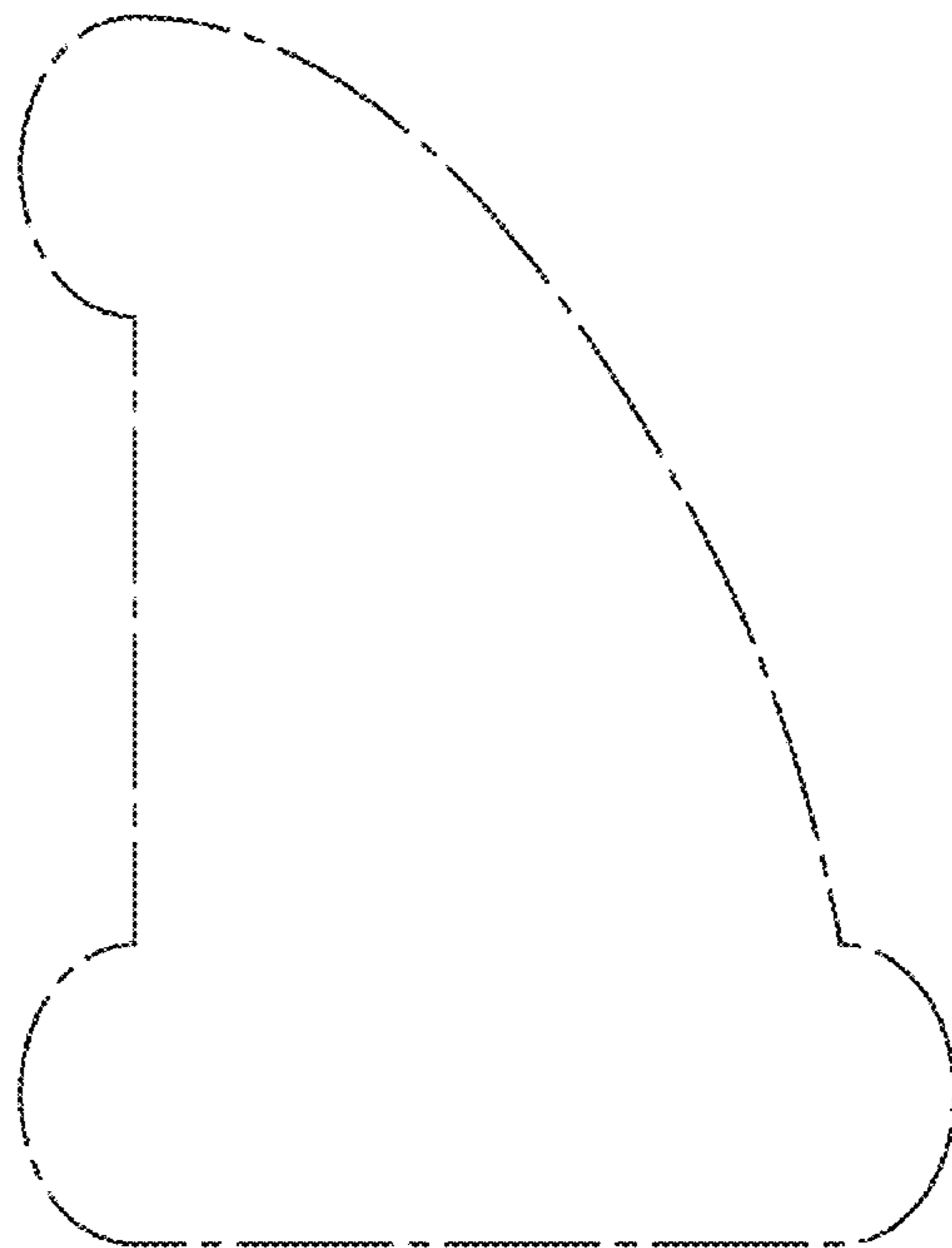


Fig. 14

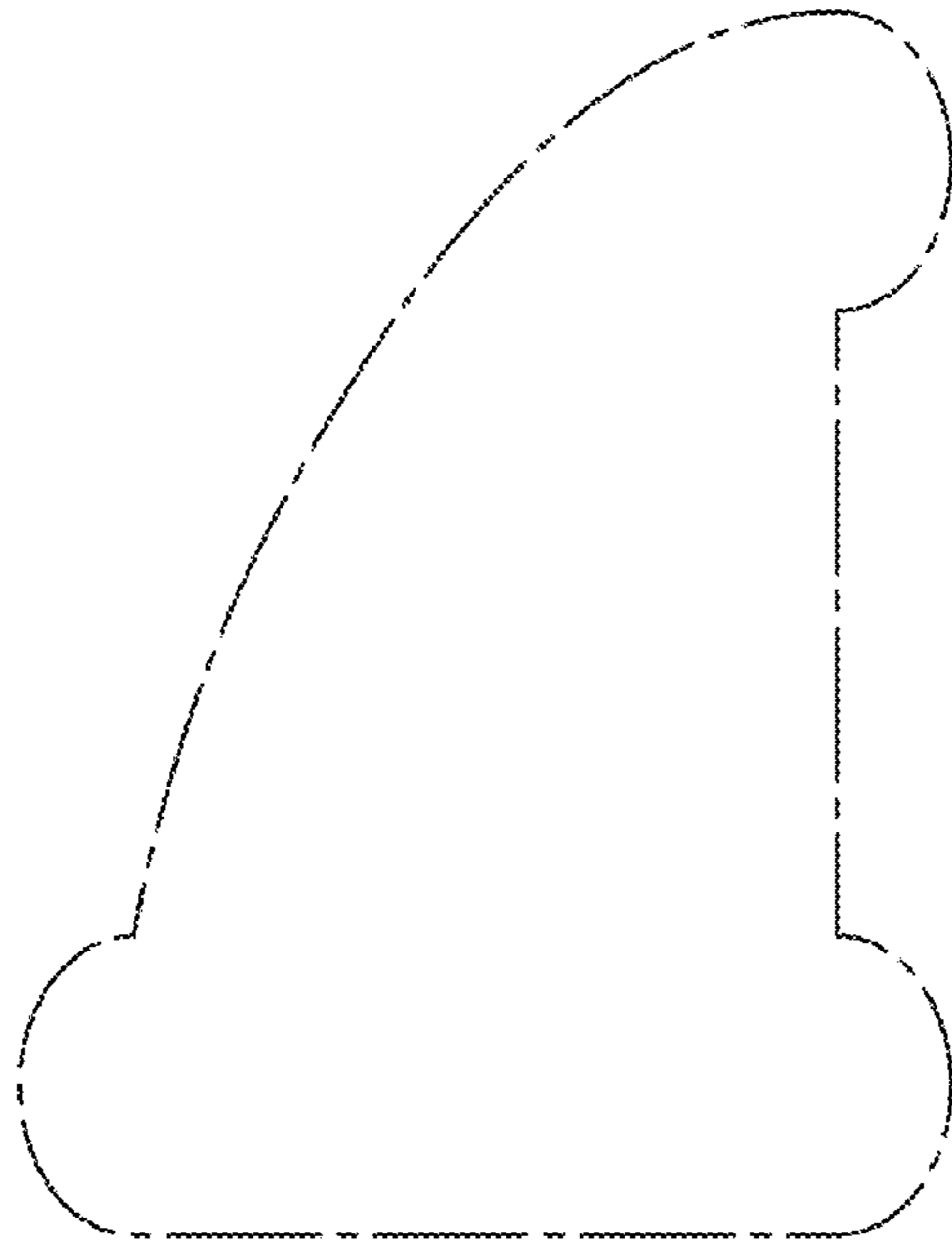


Fig. 15

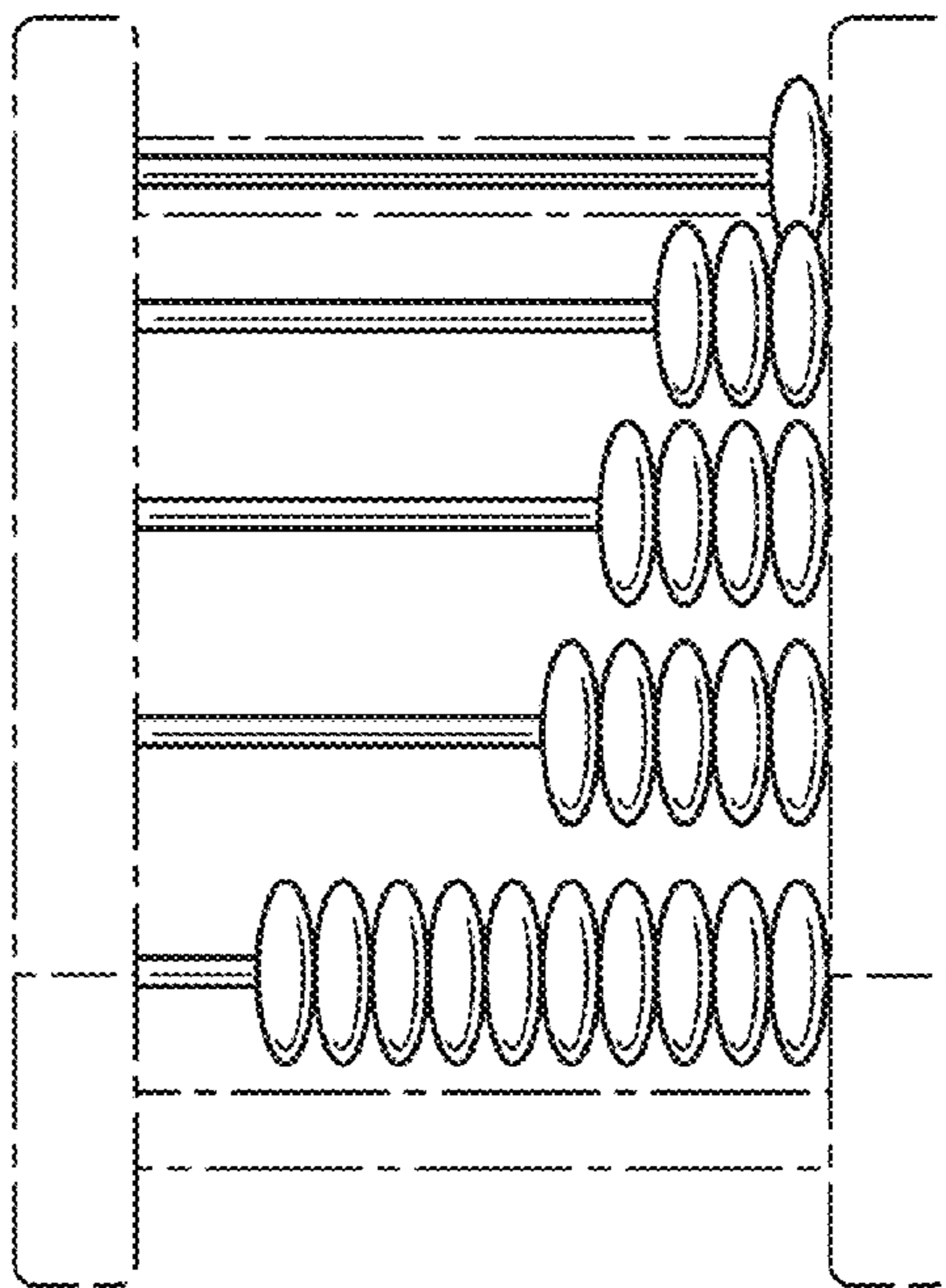


Fig. 16